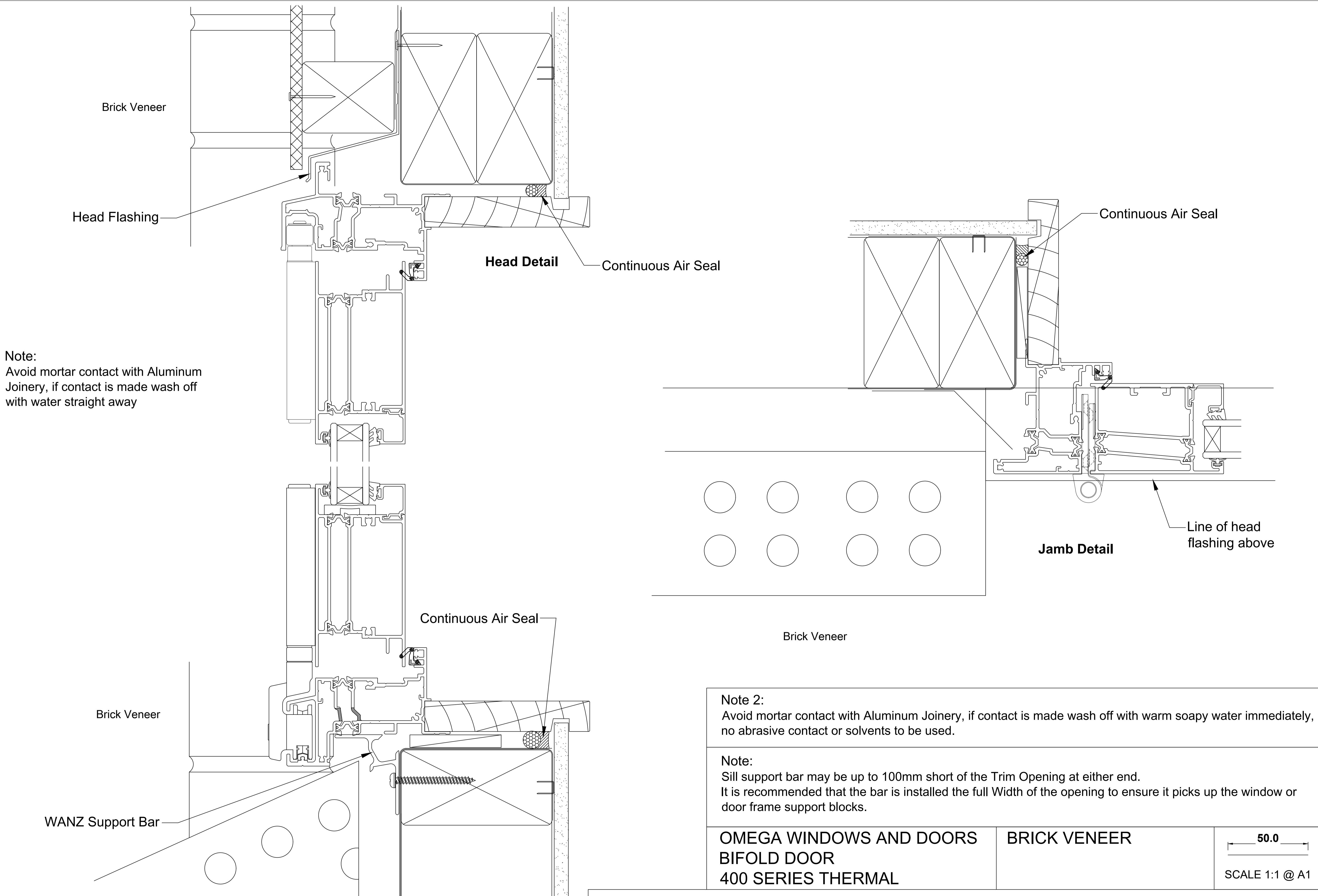


**Note 2:**  
 Avoid mortar contact with Aluminum Joinery, if contact is made wash off with warm soapy water immediately, no abrasive contact or solvents to be used.

**Note:**  
 Sill support bar may be up to 100mm short of the Trim Opening at either end. It is recommended that the bar is installed the full Width of the opening to ensure it picks up the window or door frame support blocks.



Note:  
Avoid mortar contact with Aluminum Joinery, if contact is made wash off with water straight away

Note 2:  
Avoid mortar contact with Aluminum Joinery, if contact is made wash off with warm soapy water immediately, no abrasive contact or solvents to be used.

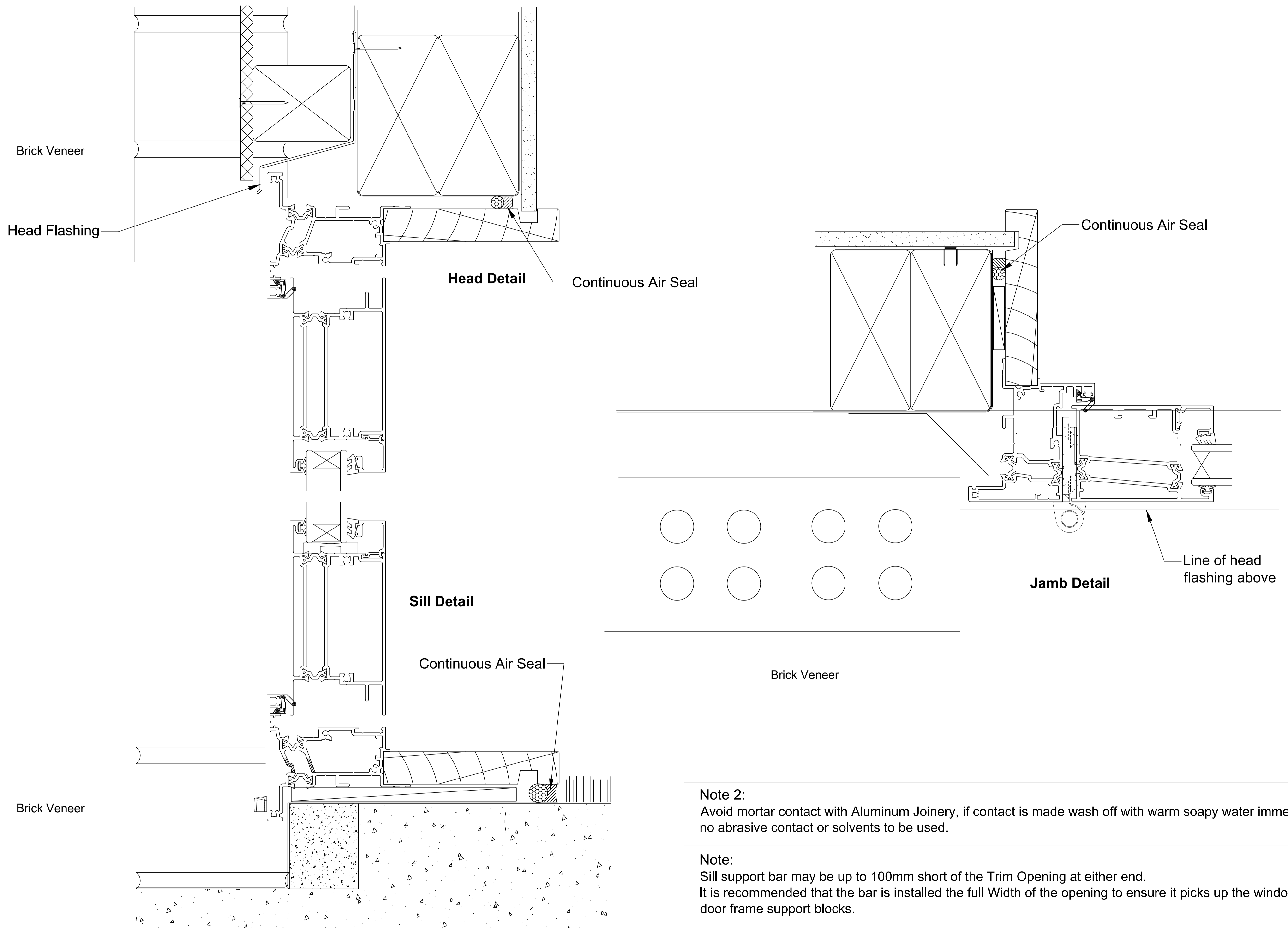
Note:  
Sill support bar may be up to 100mm short of the Trim Opening at either end. It is recommended that the bar is installed the full Width of the opening to ensure it picks up the window or door frame support blocks.

OMEGA WINDOWS AND DOORS  
BIFOLD DOOR  
400 SERIES THERMAL

BRICK VENEER

50.0  
SCALE 1:1 @ A1

This document is intended as a guide only and is to be used in conjunction with  
The WANZ Guide to Window Installation as described in E2/AS1 Amendment 5 (see link below)  
<http://www.wanz.org.nz/download/WANZ%20Guide%20to%20E2%20AS1%20Amd%206%20V1.3%20Dec%202014.pdf>



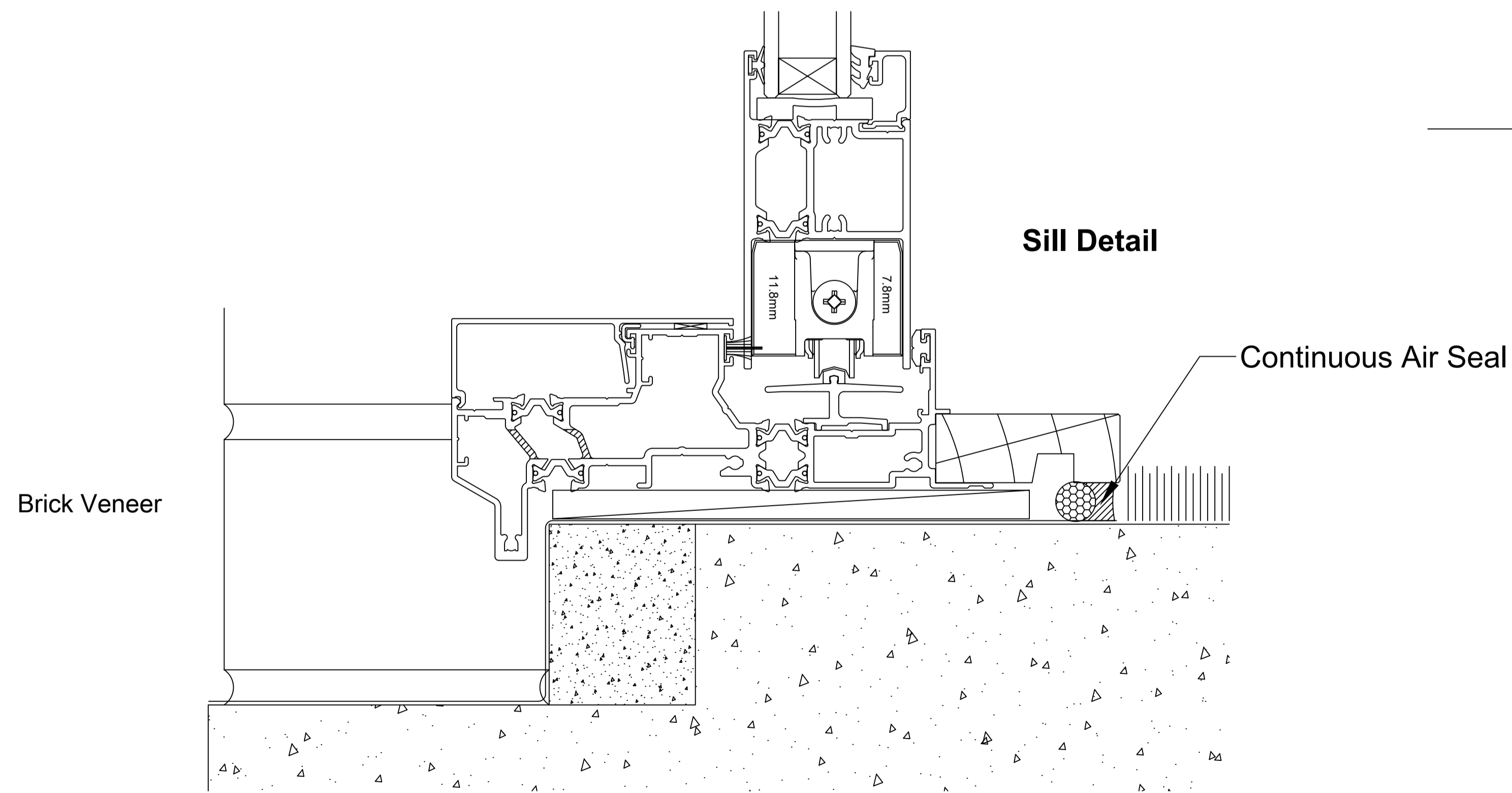
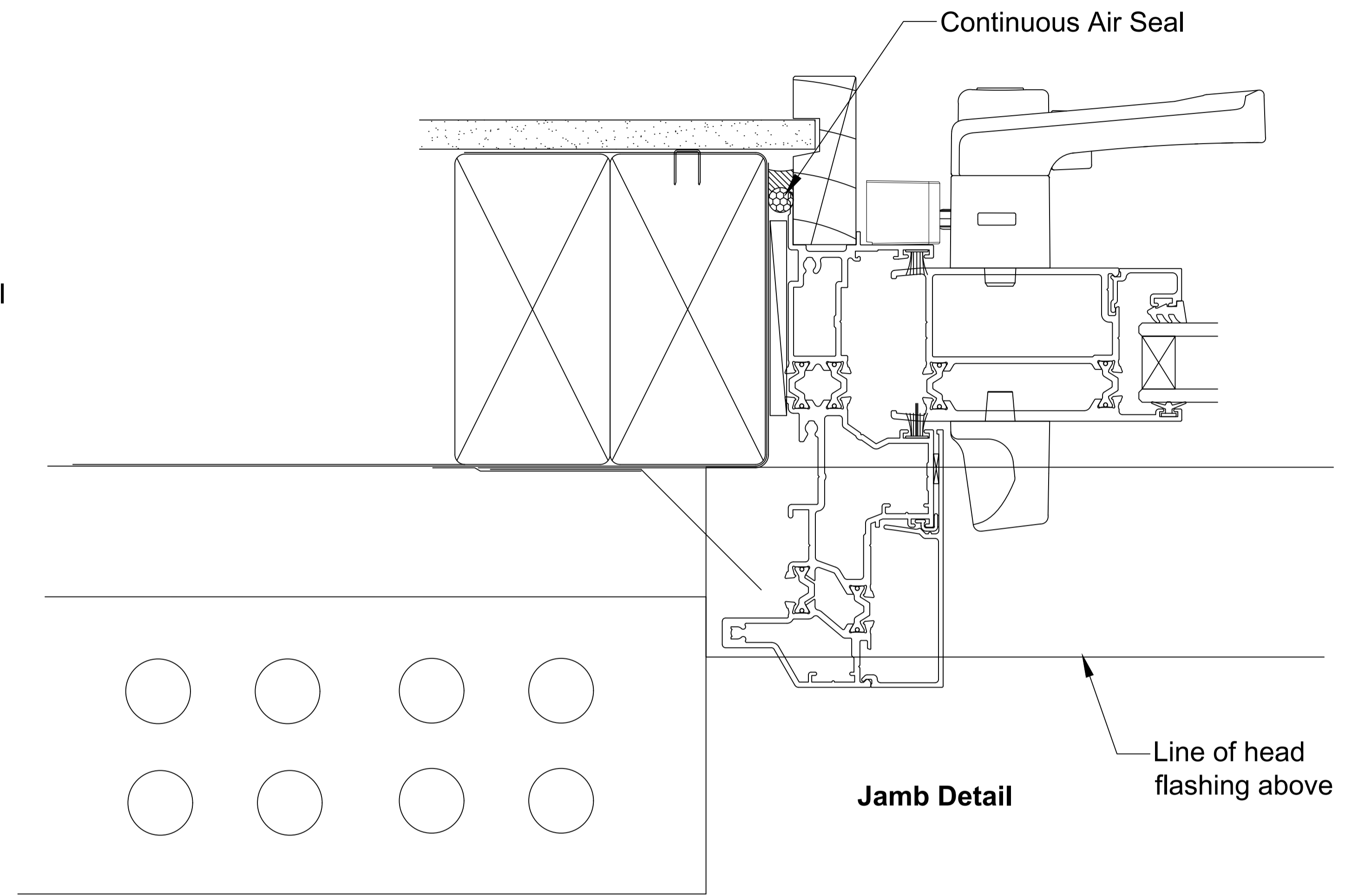
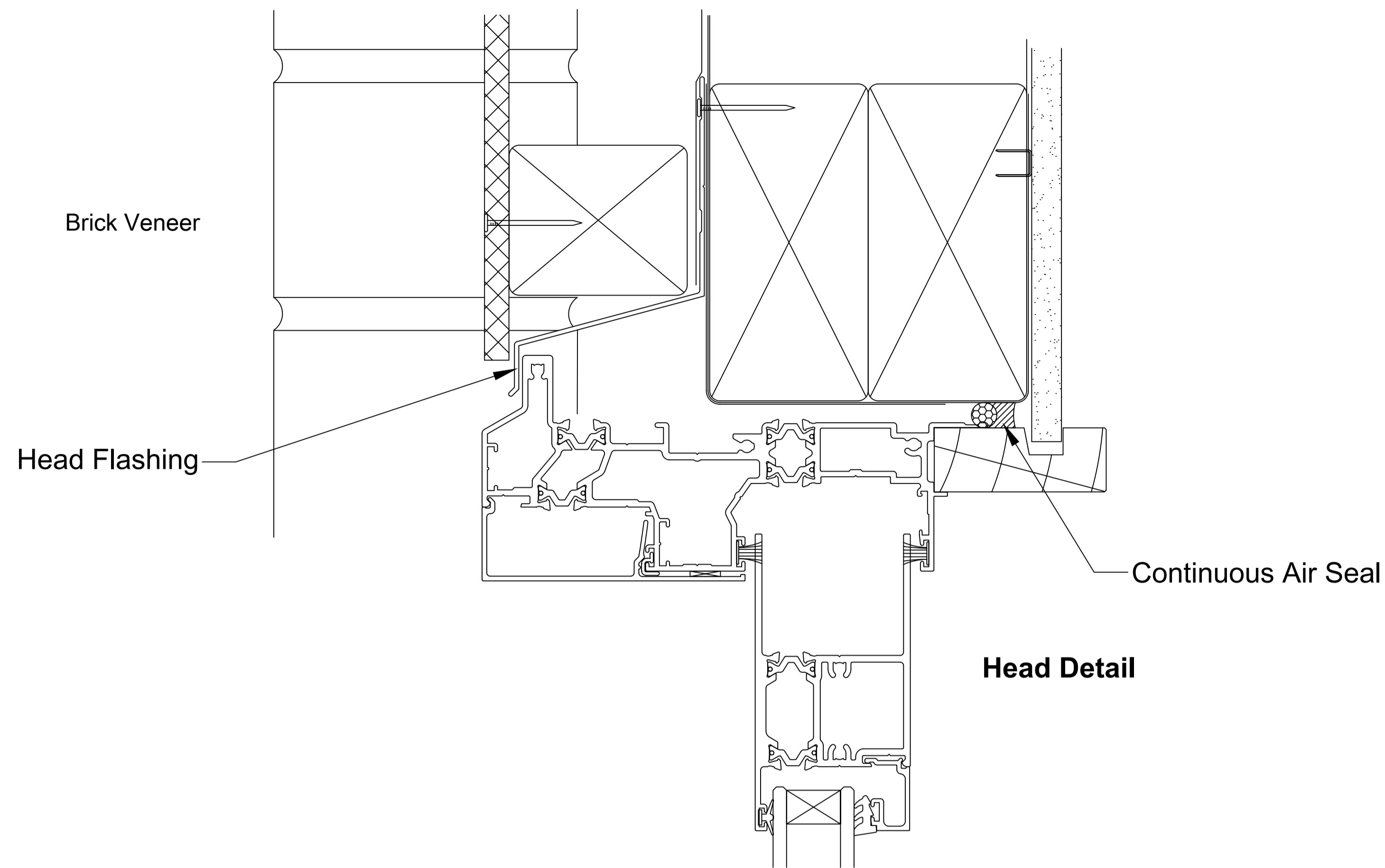
This document is intended as a guide only and is to be used in conjunction with The WANZ Guide to Window Installation as described in E2/AS1 Amendment 5 (see link below) <http://www.wanz.org.nz/download/WANZ%20Guide%20to%20E2%20AS1%20Amd%206%20V1.3%20Dec%202014.pdf>

OMEGA WINDOWS AND DOORS  
HINGE DOOR OPEN OUT  
400 SERIES THERMAL

BRICK VENEER

50.0  
SCALE 1:1 @ A1



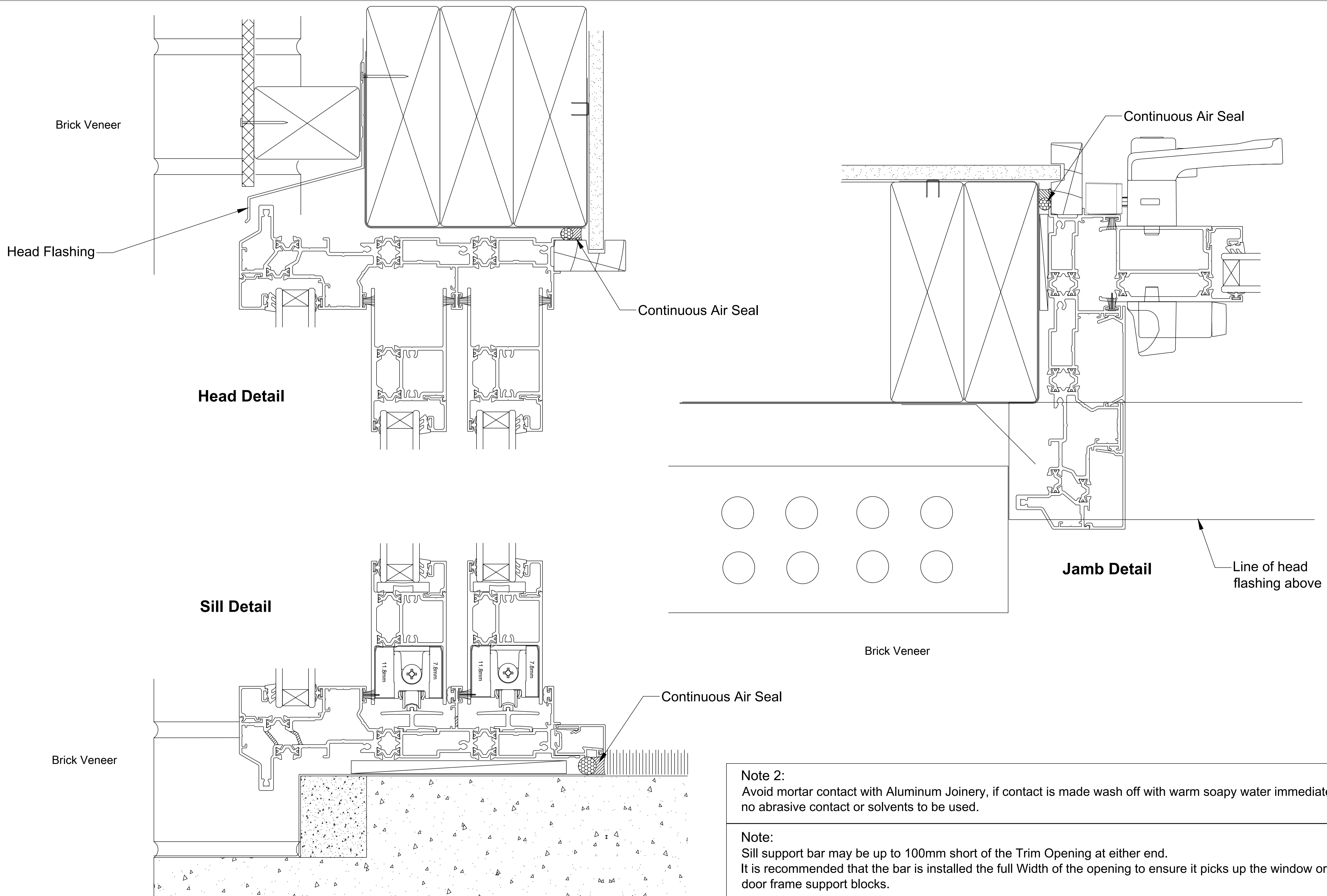


**Note 2:**

Avoid mortar contact with Aluminum Joinery, if contact is made wash off with warm soapy water immediately, no abrasive contact or solvents to be used.

**Note:**

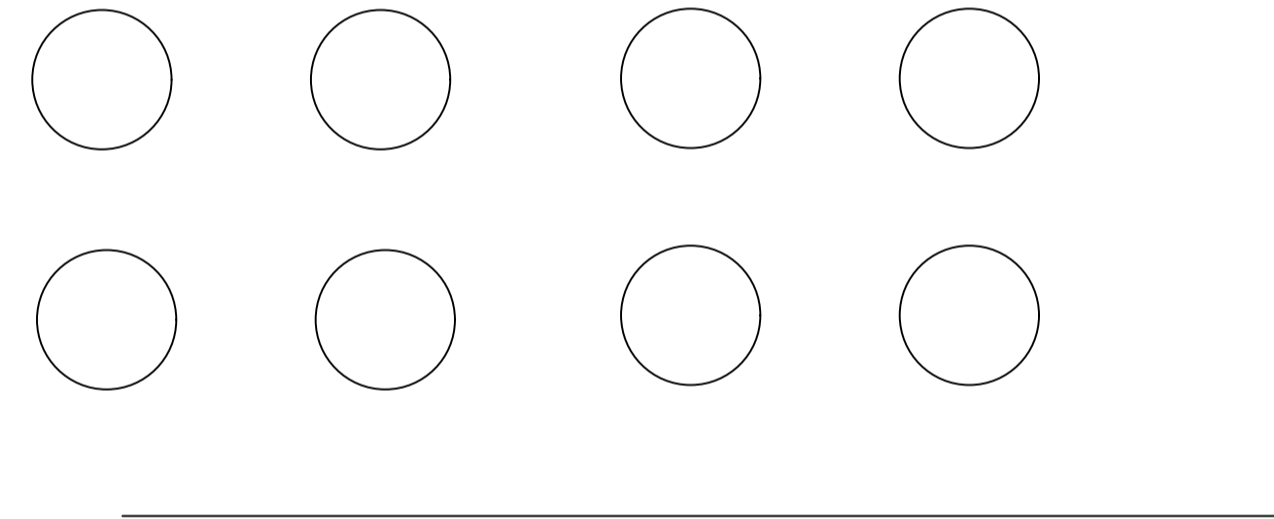
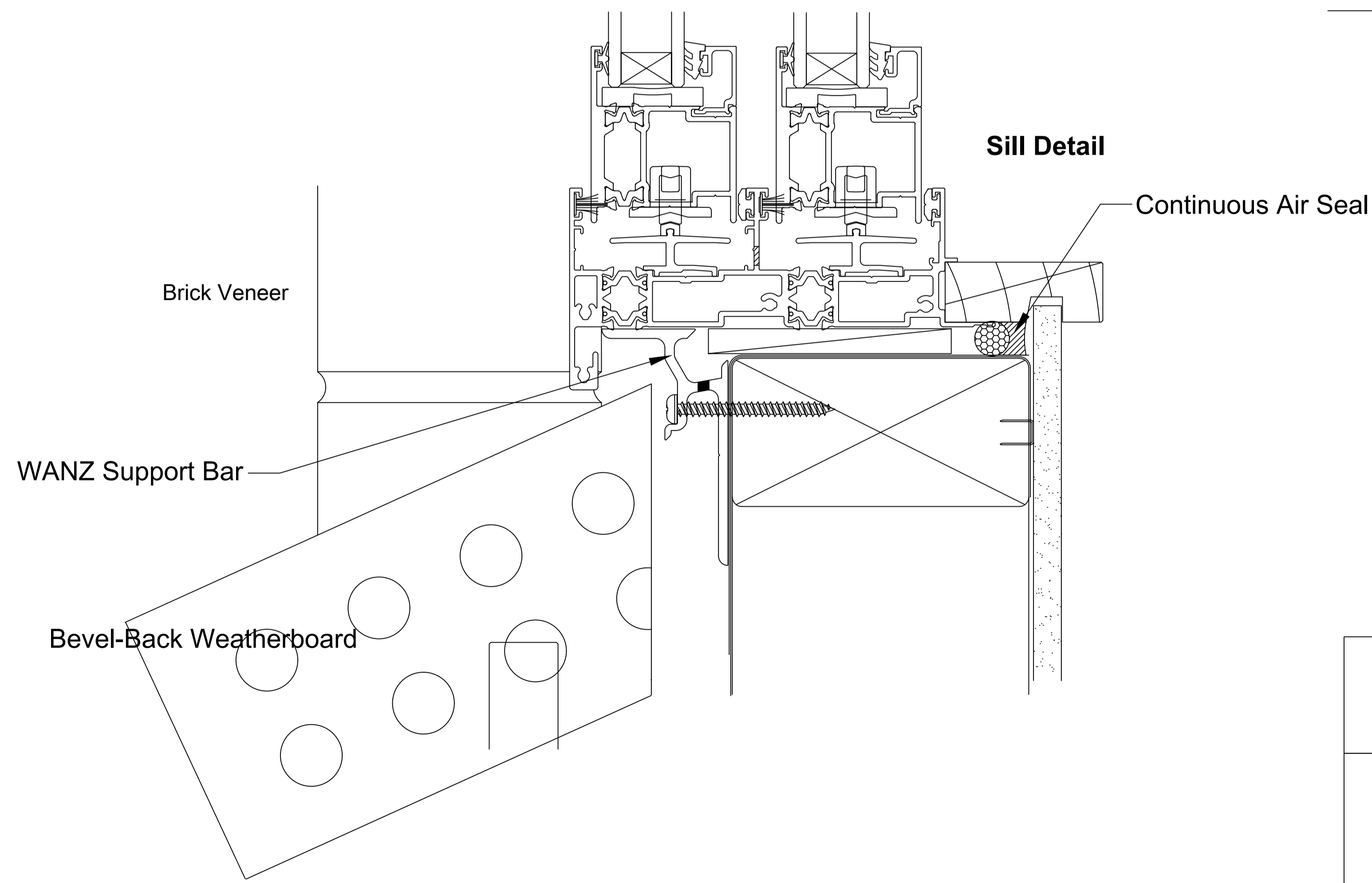
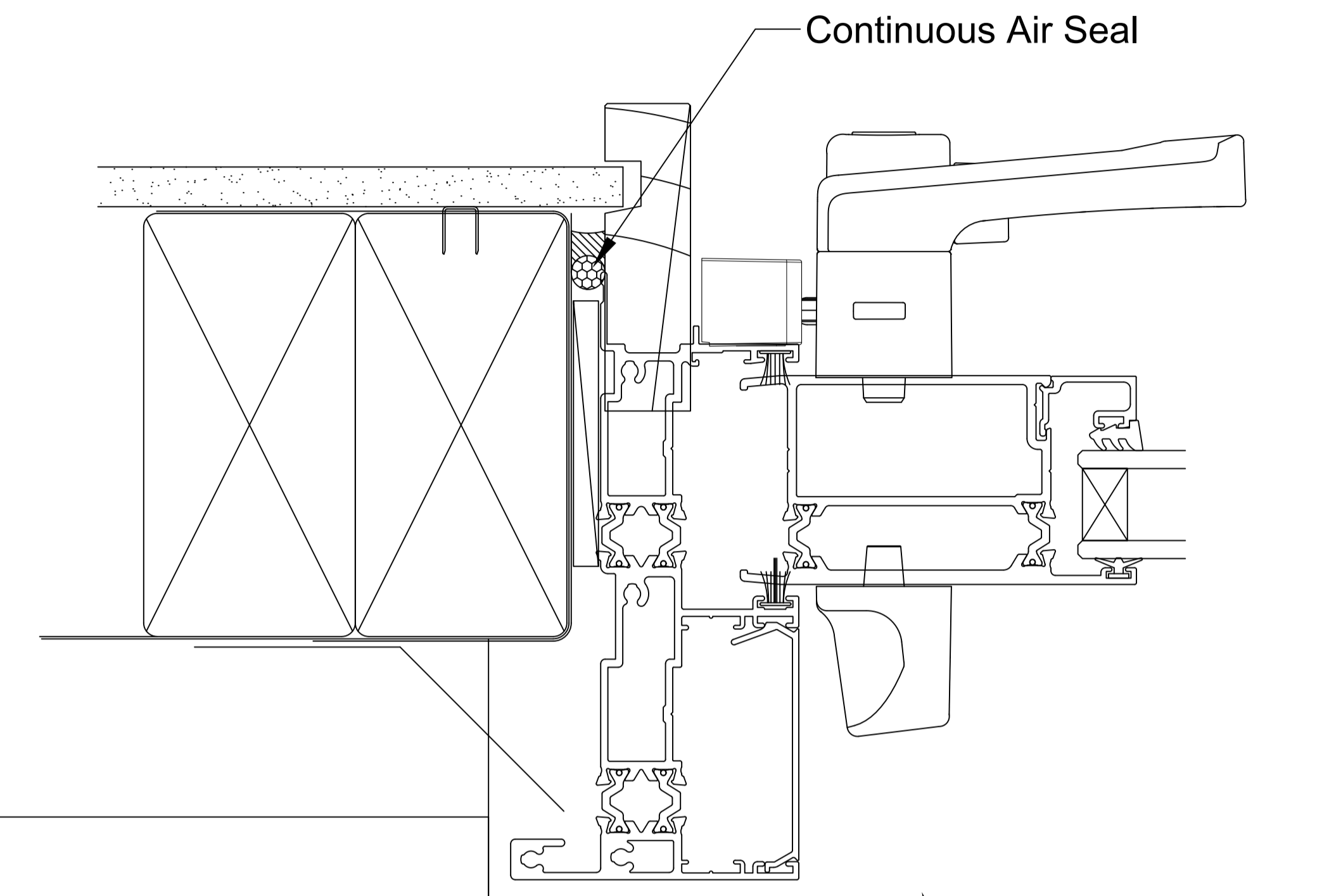
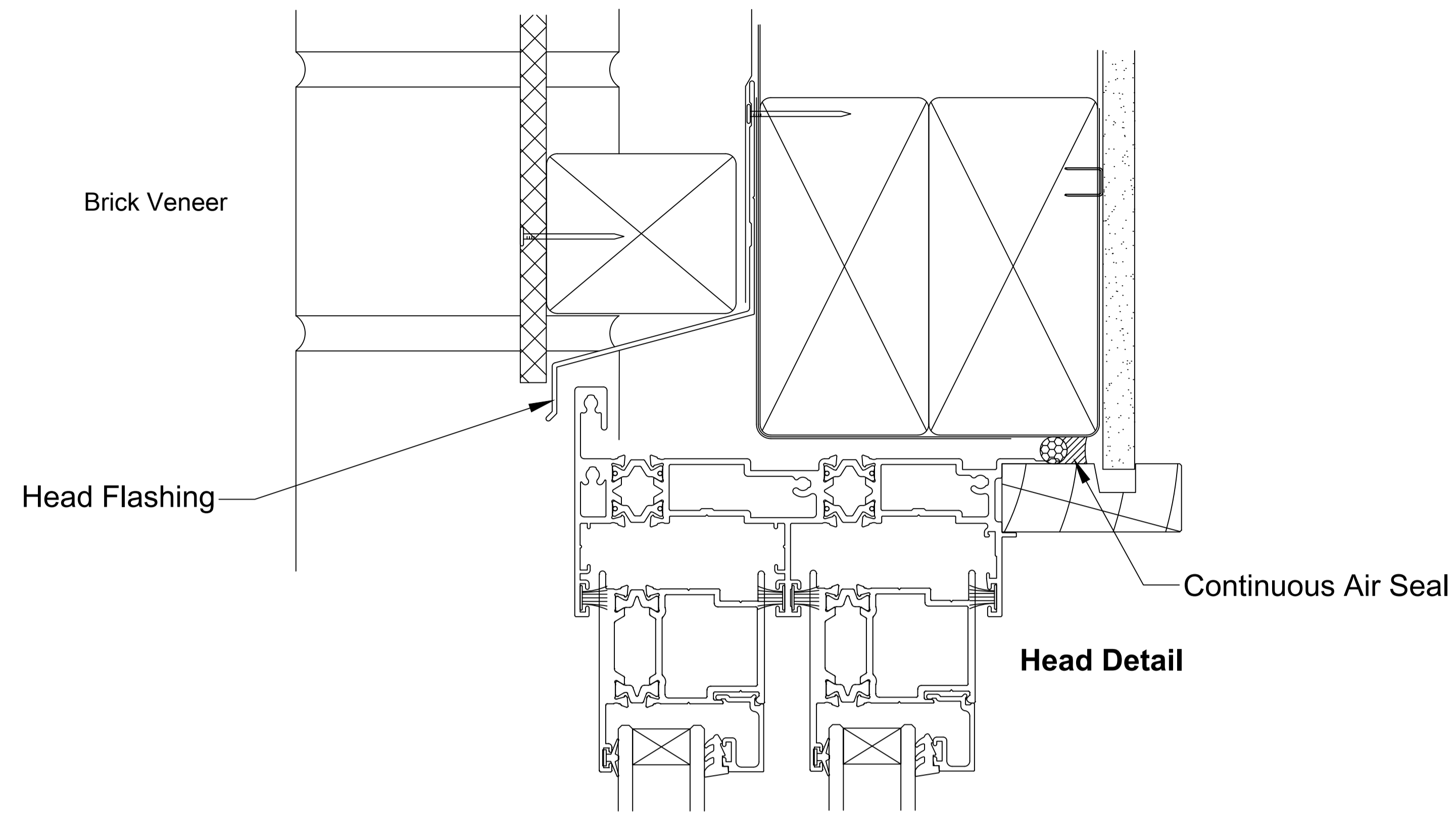
Sill support bar may be up to 100mm short of the Trim Opening at either end. It is recommended that the bar is installed the full Width of the opening to ensure it picks up the window or door frame support blocks.



**Note 2:**  
 Avoid mortar contact with Aluminum Joinery, if contact is made wash off with warm soapy water immediately, no abrasive contact or solvents to be used.

**Note:**  
 Sill support bar may be up to 100mm short of the Trim Opening at either end. It is recommended that the bar is installed the full Width of the opening to ensure it picks up the window or door frame support blocks.





**Note 2:**  
 Avoid mortar contact with Aluminum Joinery, if contact is made wash off with warm soapy water immediately, no abrasive contact or solvents to be used.

**Note:**  
 Sill support bar may be up to 100mm short of the Trim Opening at either end.  
 It is recommended that the bar is installed the full Width of the opening to ensure it picks up the window or door frame support blocks.