

NOTE:

CONTACT ULTI GROUP FOR ANY CUSTOMISATIONS AND TO DISCUSS PROJECT SPECIFIC INFORMATION

www.ultigroup.co.nz
hello@ultigroup.co.nz
Phone: 0800 807 753
105 Glover Road, Hawera, 4610

SPECIFICATIONS :

RELEASED VERSION NO. : **VERSION 2**

PRODUCT GROUP : **SWING DOORS**

PRODUCT ID : **00000**

APPLICATION : **INTERNAL**

SIZES : **UP TO 2750mm HIGH x 2460mm WIDE**

STANDARD FRAME MATERIAL : **ANODISED ALUMINIUM**

STANDARD FRAME COLOUR : **ANODISED ALUMINIUM**

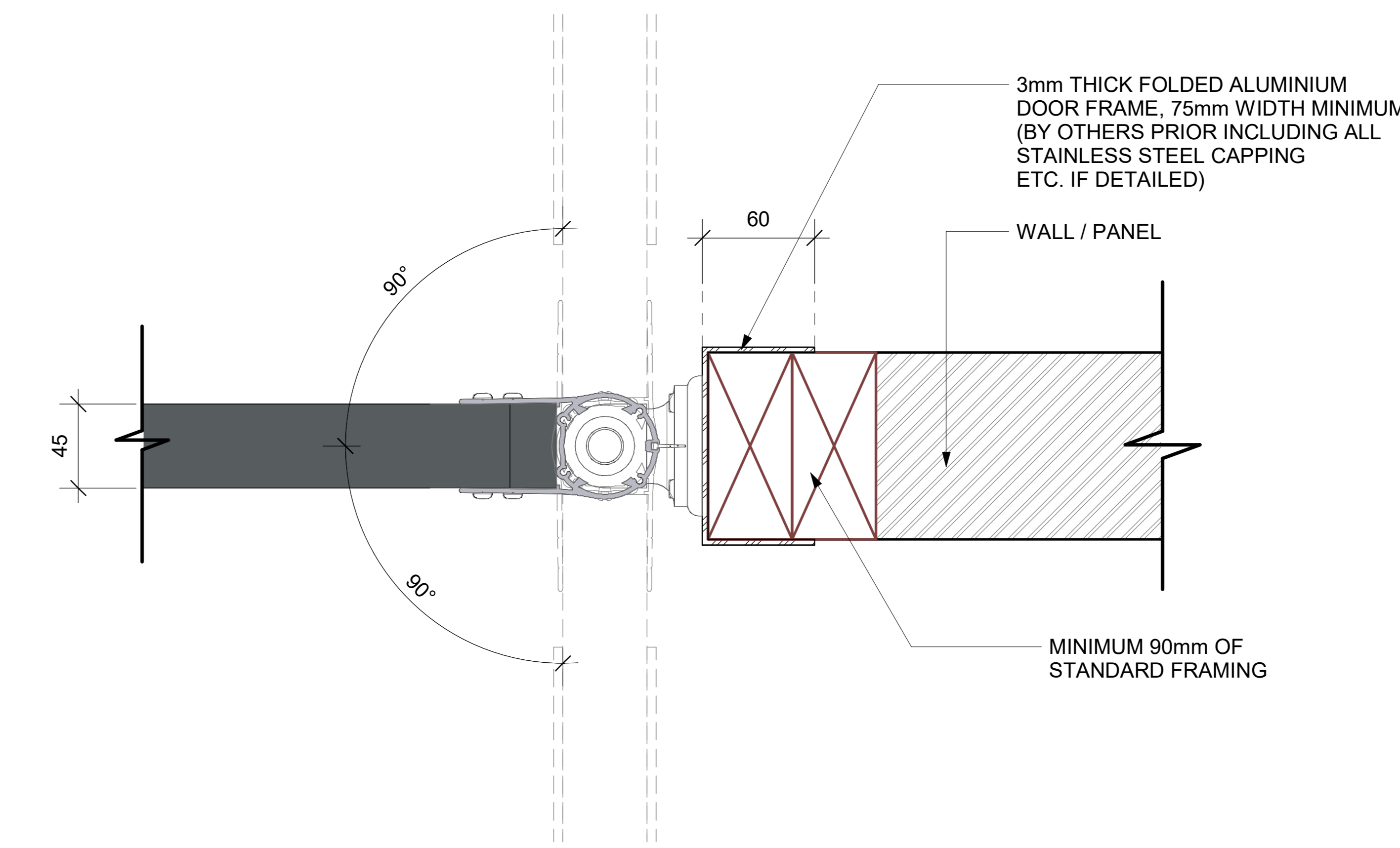
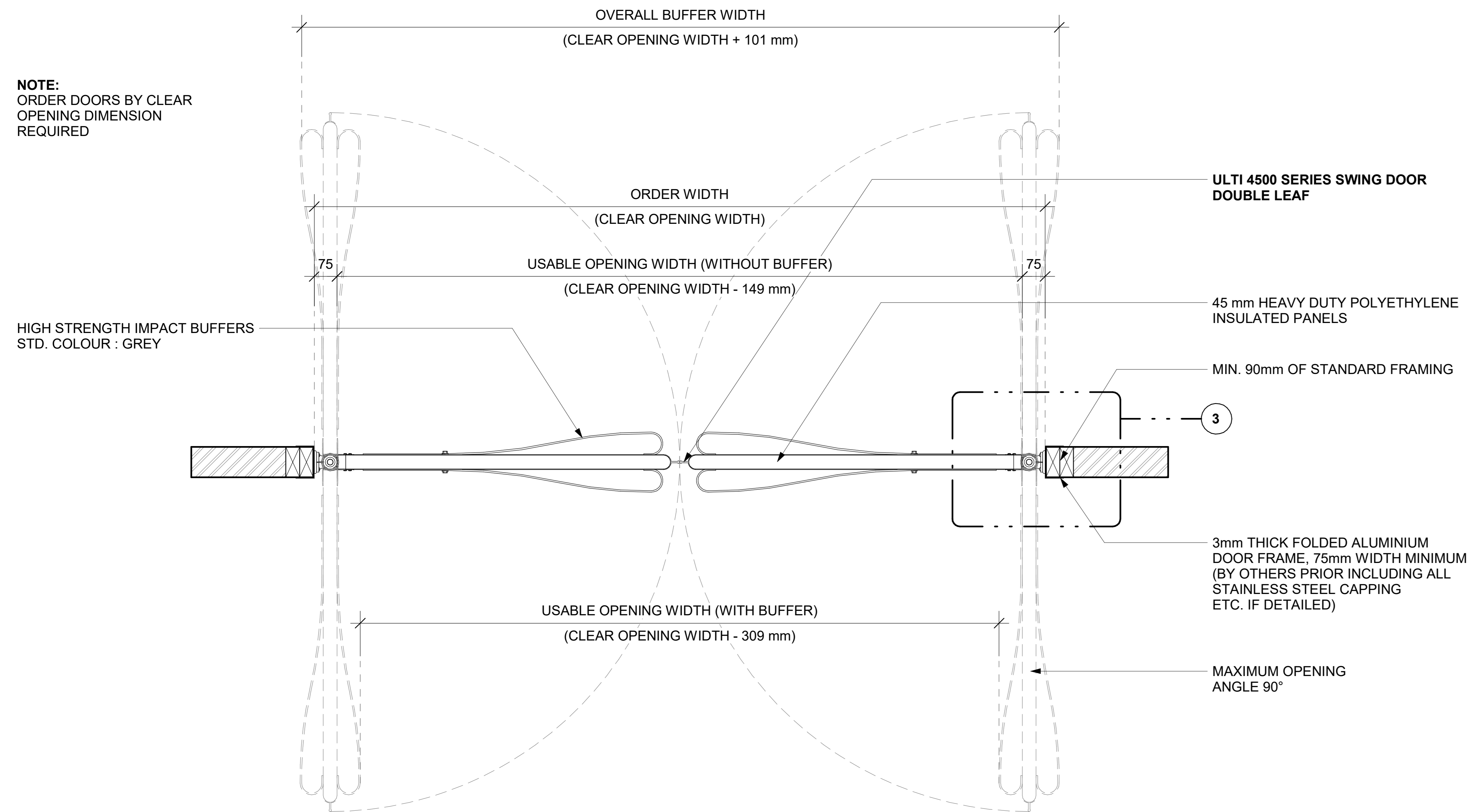
STANDARD PANEL MATERIAL : **45 mm HEAVY DUTY POLYETHYLENE INSULATED PANELS**

PANEL COLOUR : **STD. COLOUR - ULTRA GREY RAL 7012**

HIGH STRENGTH IMPACT BUFFERS: **900 mm HIGH - STANDARD**

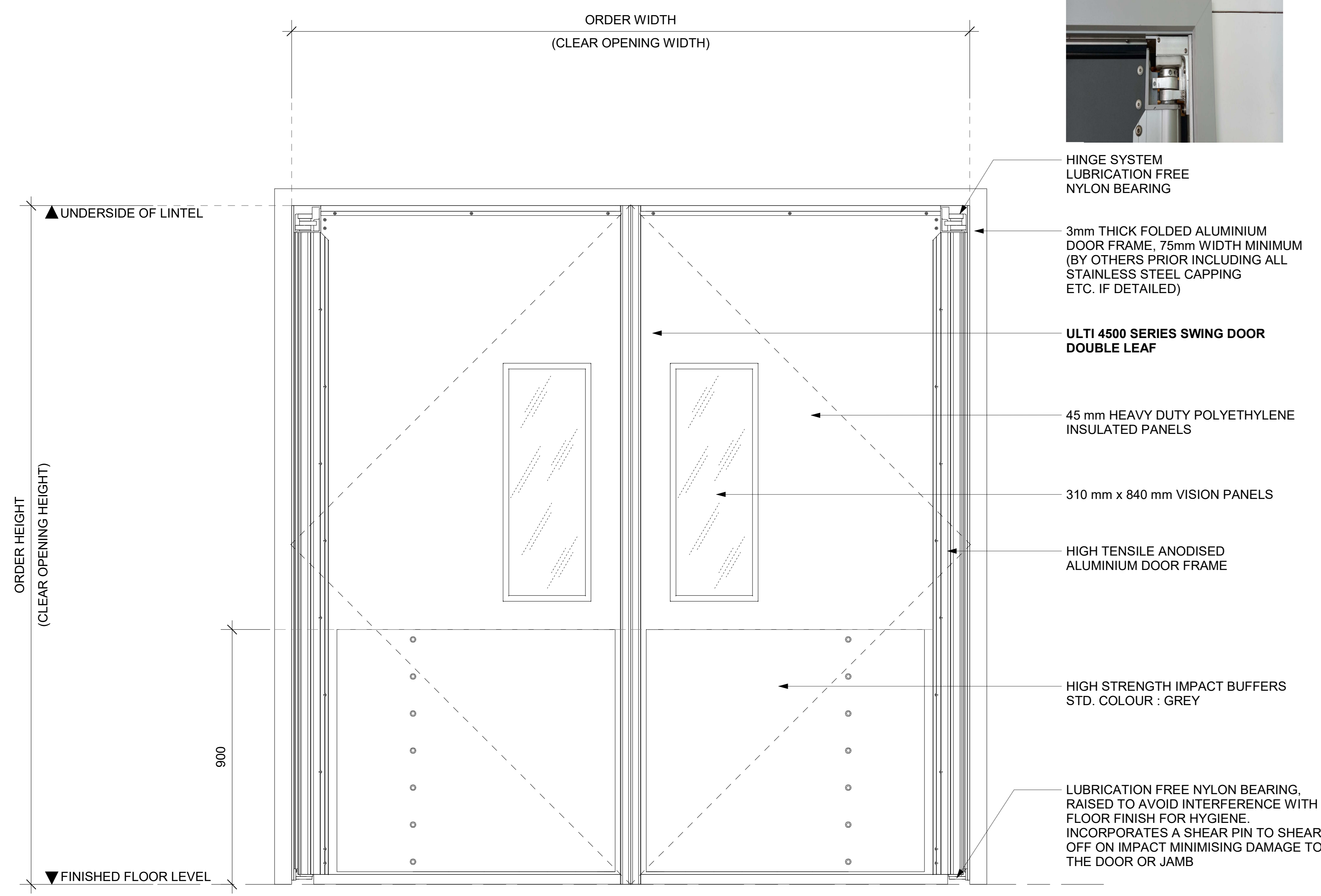
HIGH STRENGTH IMPACT BUFFERS COLOUR : **STD. COLOUR - GREY**

*** ALL JAMB TRIMS OR FLASHINGS E.G. STAINLESS STEEL CAPPING IS TO BE PROVIDED BY OTHERS PRIOR. COMPLETE DOOR OPENING MUST BE LEVEL, PLUMB AND SQUARE.**

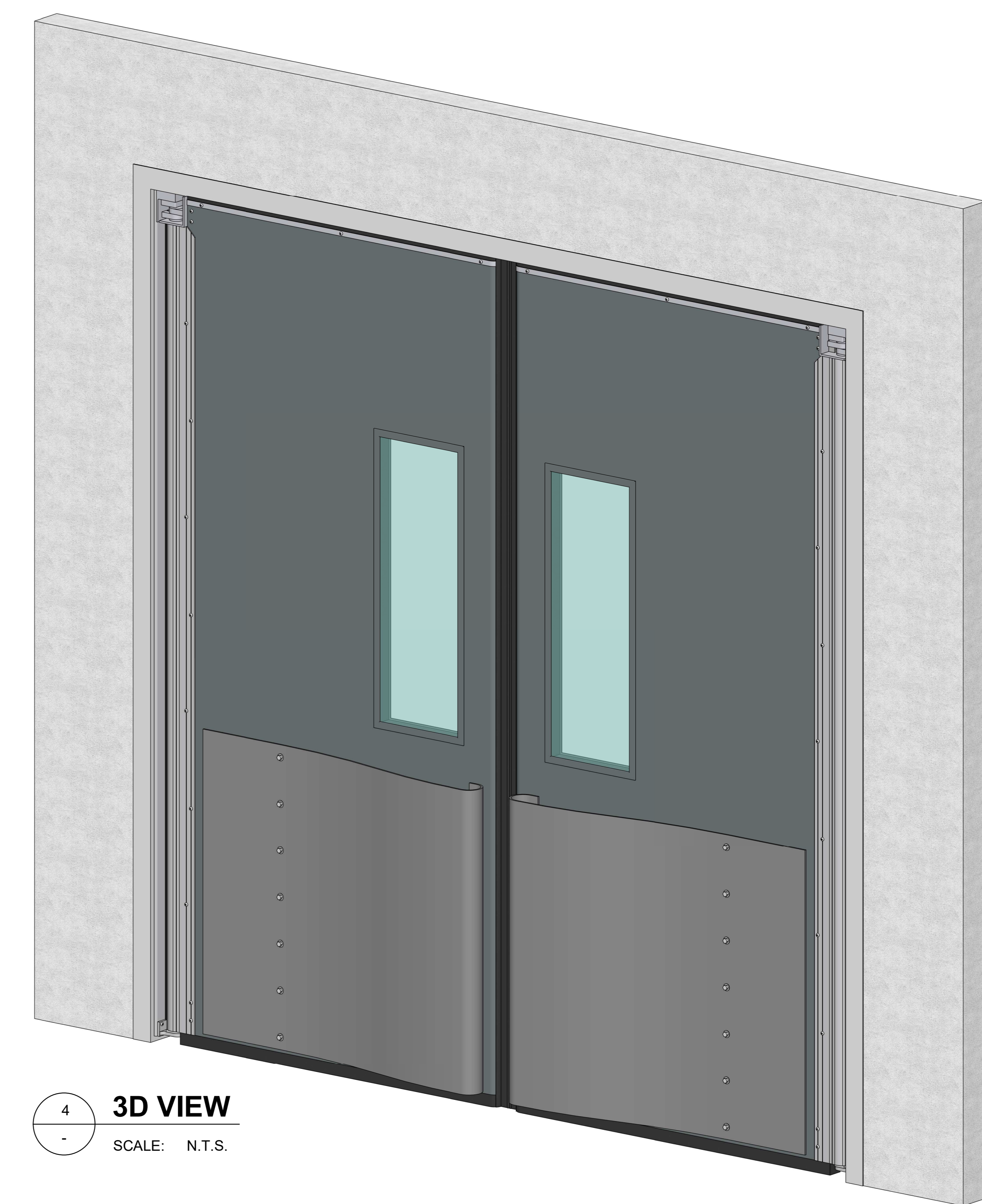


3 ULTI TYPICAL HINGED DOOR FRAME PREPARATION
SCALE: 1:2 MTS.

1 FLOOR PLAN VIEW
SCALE: 1:8 MTS.



2 FRONT ELEVATION VIEW
SCALE: 1:8 MTS.



4 3D VIEW
SCALE: N.T.S.

TITLE:
ULTI 4500 SERIES SWING DOOR (DOUBLE LEAF)

SHEET NO. : 1 OF 1 **DATE :** DEC. 9, 2021

DRAWING NUMBER :
ULTISD45-DOUBLE-001

APPROVED BY : J.PRESTIDGE
DRAWN BY : J.ENRIQUEZ

SCALE : As indicated **SHT. SIZE :** A0

*All dimensions are in millimeters unless otherwise specified