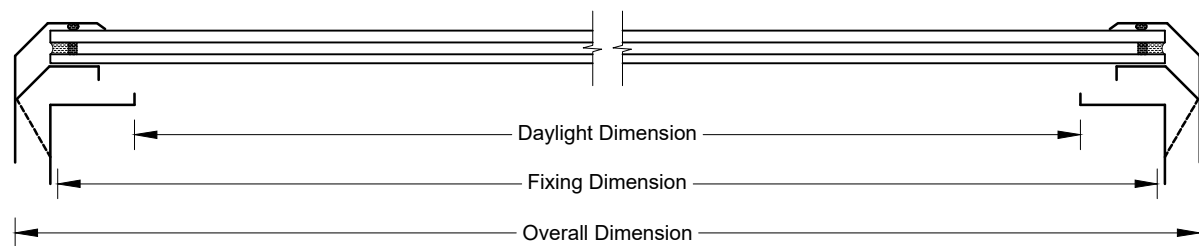
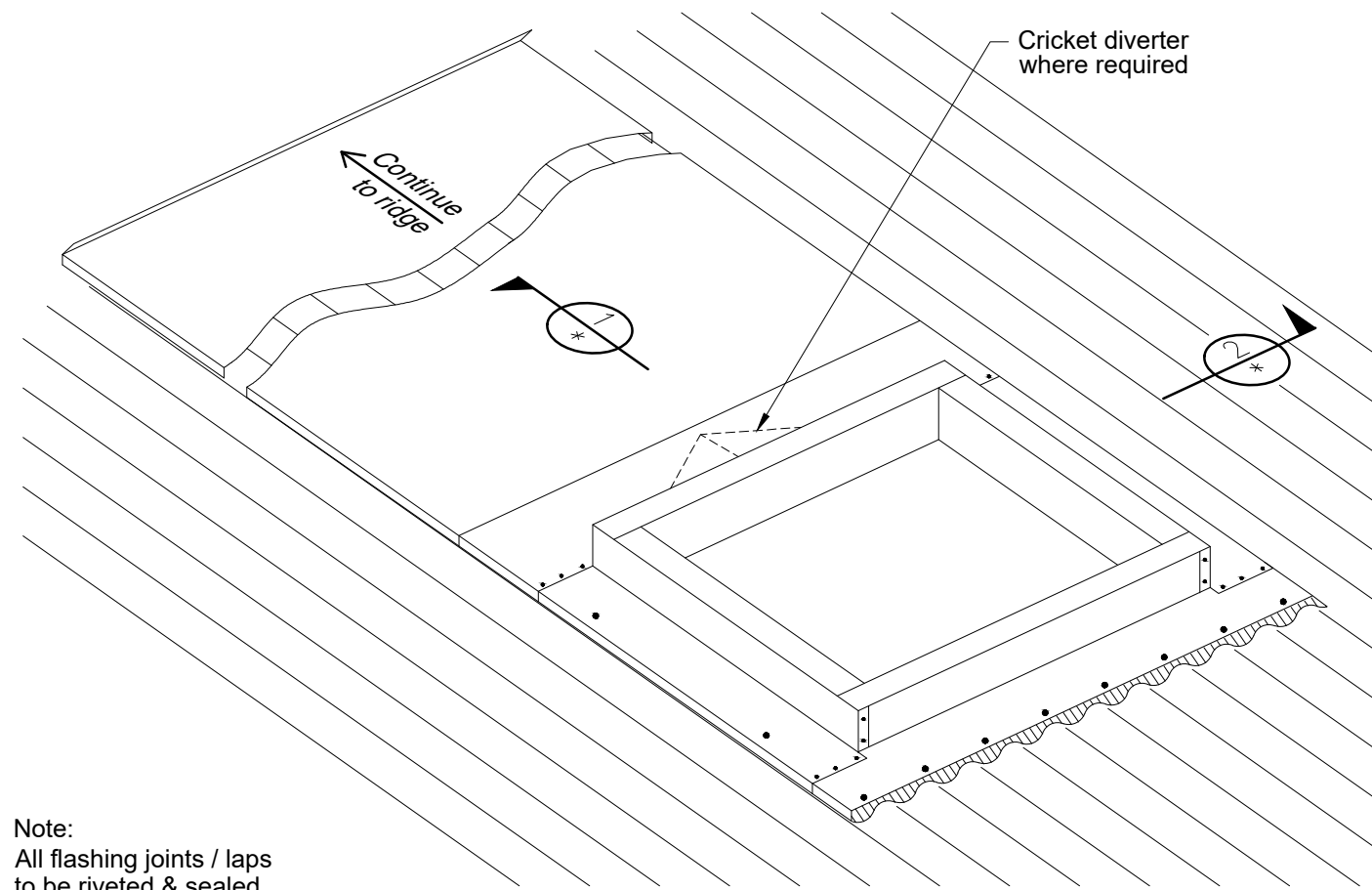


* Dimensions to be in accordance with NZBC Clause E2

Suitable for roof pitch 5° to 60°

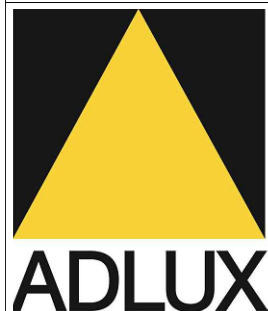


Mega Roof Window Vent				
Model No.	Daylight Dimension	Fixing Dimension	Overall Dimension	Ventilation Area (m ²)
MRWv1616	1535 x 1535	1635 x 1635	1710 x 1710	0.138
MRWv2014	1890 x 1290	1990 x 1390	2065 x 1465	0.143
MRWv2418	2275 x 1675	2375 x 1775	2450 x 1850	0.174
MRWv3014	2890 x 1290	2990 x 1390	3065 x 1465	0.183



Note:
All flashing joints / laps to be riveted & sealed

Not to scale, do not scale from drawing. All details are generic in nature and should be read in conjunction with the roofing manufacturers' standard penetration details.



ADLUX Industries Ltd. ©
36 Olive Road, Penrose
P.O. Box 13866, Auckland
New Zealand.
Ph: (09) 636 6866
Fax: (09) 636 6846
Email: sales@adlux.co.nz

**MEGA ROOF WINDOW vent (Double Glazed)
CORRUGATED ROOFING PROFILE (Back Tray)
PITCH 5° TO 60°**

DATE: 14/02/19

DWG No: MRWv-CR-BT