

KEY

- Framing
- Batten
- Corner Batten
- Vertical Track Flashing

Batten options

1. Treated timber battens should have castellated profile to permit air passage and minimum 15° slope edge to shed water.

Impervious barrier (MDPE) or similar tape between cladding and batten.
To comply with NZBC E2/AS1 - table 23.

Note:
Some machining of vertical battens may be required to avoid "build up".
i.e. back flashings / tapes

2. Cavity plastic Batten

Note:
packing/shims may be needed to ensure boards are fitted flat without distortion.

* Additional timber may be required at soffit to support UA 5831 Soffit Base.

Note: Important

Underlay strips to isolate aluminium from treated timber battens 50 mm wide medium density polyethylene (MDPE)

To comply with NZBC E2/AS1 - table 23. Properties of roofing underlays and wall underlays, separates aluminium components and accessories from timber battens treated with copper-based treatments in NZS 3604.

Cavity closers required as per NZBC clause E2/AS1 (section 9.1.8)

0.9 x 90mm Aluminium Track Flashing.
Alternatively use Dynex Dynafash.

Locator Clips fixed at Max 600 mm horizontal centres with 8g x 2" CSK Sq S/S self tapping screws through batten into stud.

Vertical cavity batten (corners only) fixed with 6g x 1.25" CSK Sq S/S pre-drilled screws through batten into stud

5 MIN

Minimum 5 mm clearance to allow for thermal expansion

Ultraclad® UA 7094 Female Corner Flashing

Ultraclad® UA 7095 Male Corner Flashing fixed to timber battens with 30 x 2.5 mm stainless steel clouts at 600 mm vertical centres

5 MIN

Ultraclad® UA 4917 weatherboard

Note: Underlay strips to isolate aluminium from treated timber battens Refer V00

Cavity batten Refer V00 Batten Options

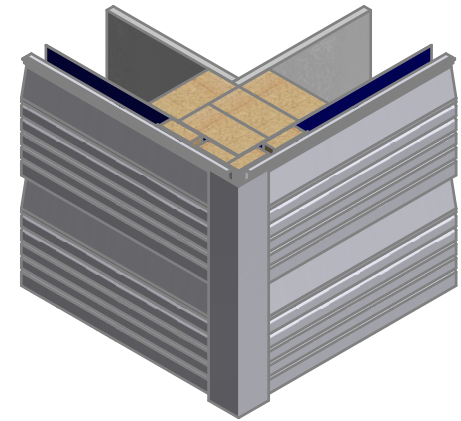
Locator Clip UA 4535

Building underlay continuous around corner

Wall frame

Interior lining

Note: Ensure to alternate spacings of fixings for battens and Locator Clips to avoid risk of splitting batten



ULLTRACLAD®
ALUMINIUM WEATHERBOARDS

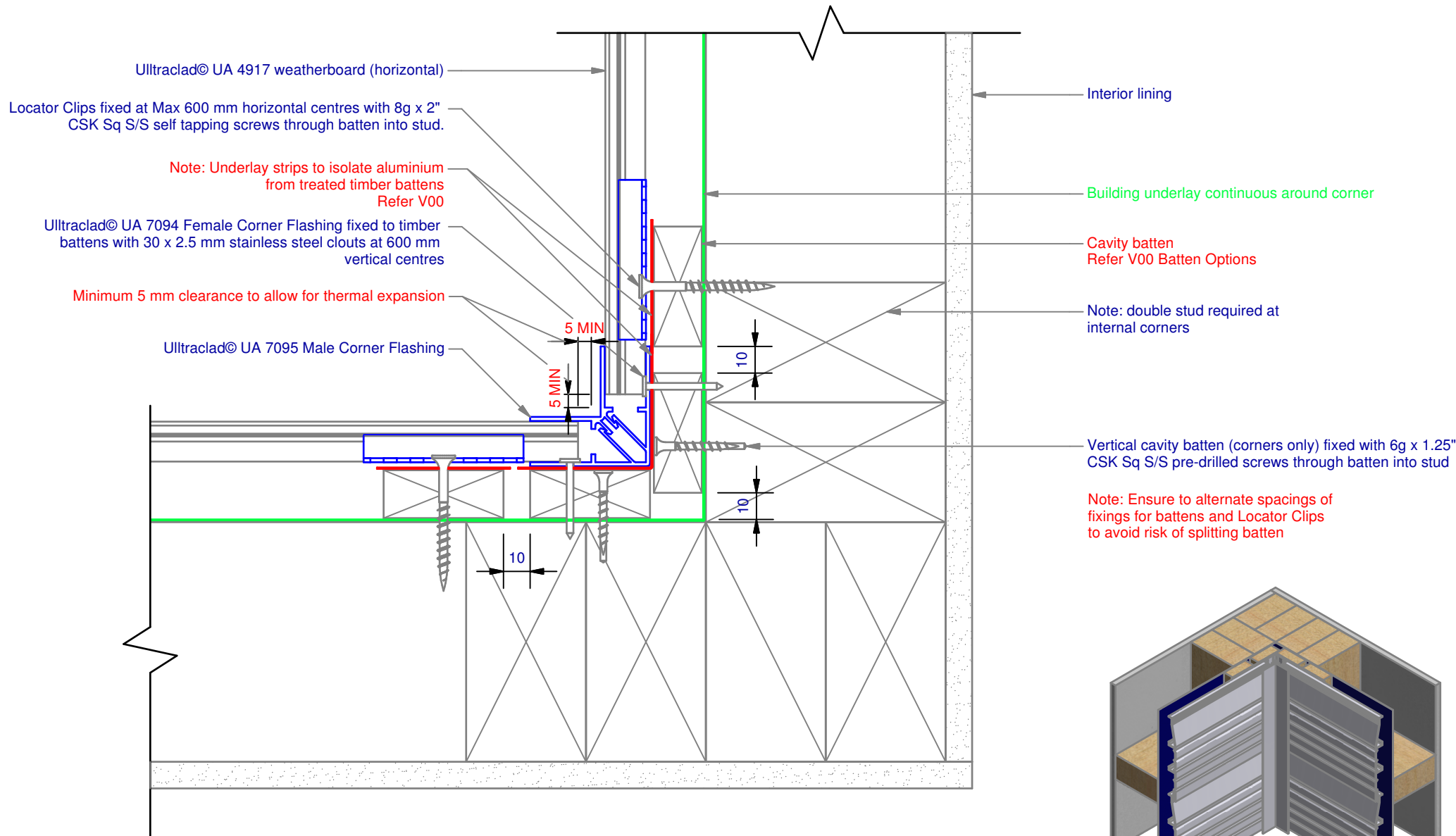
ULLTRACLAD ALUMINIUM CO LTD
PO Box 98 843 Manukau City Auckland 2241
118 Wiri Station Road Wiri 2104 New Zealand
TL 09 262 6262 Ext. 814 Mob 021 541 563
www.ulltraclad.co.nz
© ULLRICH ALUMINIUM - All Rights Reserved

H01
Rev : 08

External Corner on Cavity
UA 4917 TEE BOARD

HORIZONTAL CAVITY SYSTEM
Scale: 1 : 2 @ A4 - 2017

Brnz Appraisal #487 2012. (Horizontal)



Ulltraclad® UA 4917 weatherboard (horizontal)

Locator Clips fixed at Max 600 mm horizontal centres with 8g x 2" CSK Sq S/S self tapping screws through batten into stud.

Note: Underlay strips to isolate aluminium from treated timber battens Refer V00

Ulltraclad® UA 7094 Female Corner Flashing fixed to timber battens with 30 x 2.5 mm stainless steel clouts at 600 mm vertical centres

Minimum 5 mm clearance to allow for thermal expansion

Ulltraclad® UA 7095 Male Corner Flashing

5 MIN

5 MIN

10

10

10

Interior lining

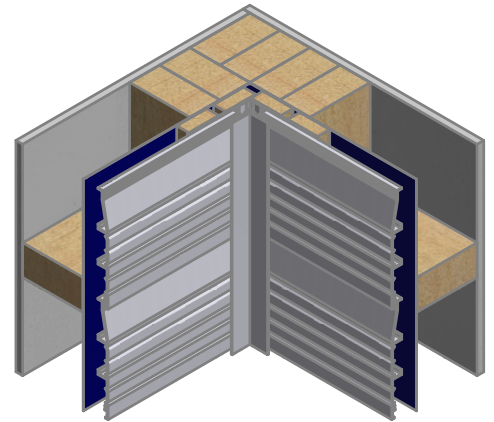
Building underlay continuous around corner

Cavity batten Refer V00 Batten Options

Note: double stud required at internal corners

Vertical cavity batten (corners only) fixed with 6g x 1.25" CSK Sq S/S pre-drilled screws through batten into stud

Note: Ensure to alternate spacings of fixings for battens and Locator Clips to avoid risk of splitting batten



ULLTRACLAD®
ALUMINIUM WEATHERBOARDS

ULLTRACLAD ALUMINIUM CO LTD
PO Box 98 843 Manukau City Auckland 2241
118 Wiri Station Road Wiri 2104 New Zealand
TL 09 262 6262 Ext. 814 Mob 021 541 563
www.ulltraclad.co.nz
© ULLRICH ALUMINIUM - All Rights Reserved

H02
Rev : 08

Internal Corner on Cavity
UA 4917 TEE BOARD
HORIZONTAL CAVITY SYSTEM
Scale: 1 : 2 @ A4 - 2017

Brnz Appraisal #487 2012. (Horizontal)

Minimum 5 mm clearance to allow for thermal expansion

Ultraclad® UA 6324 Jointer Bottom
fixed to wall frame with 30 x 2.5 mm
clouts at 600 mm centres

Cavity batten
Refer V00 Batten Options

Note: Underlay strips to isolate aluminium
from treated timber battens
Refer V00

5 MIN 5 MIN

Minimum 5 mm clearance to allow for thermal expansion

Ultraclad® UA 7096 Flat Jointer Top

Ultraclad® UA 4917 weatherboard

Building underlay

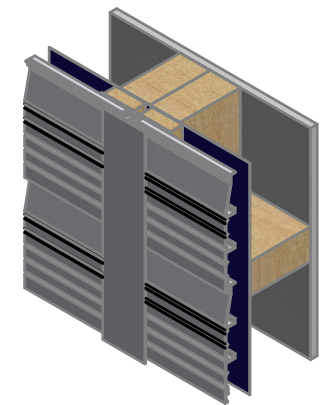
Drained and vented cavity as per NZBC
clause E2/AS1 (section 9.1.8)

10

Note: Ensure to alternate spacings of
fixings for battens and Locator Clips
to avoid risk of splitting batten

Interior lining

Double studs behind vertical jointer



ULLTRACLAD®
ALUMINIUM WEATHERBOARDS

ULLTRACLAD ALUMINIUM CO LTD
PO Box 98 843 Manukau City Auckland 2241
118 Wiri Station Road Wiri 2104 New Zealand
TL 09 262 6262 Ext. 814 Mob 021 541 563

www.ulltracdad.co.nz

© ULLRICH ALUMINIUM - All Rights Reserved

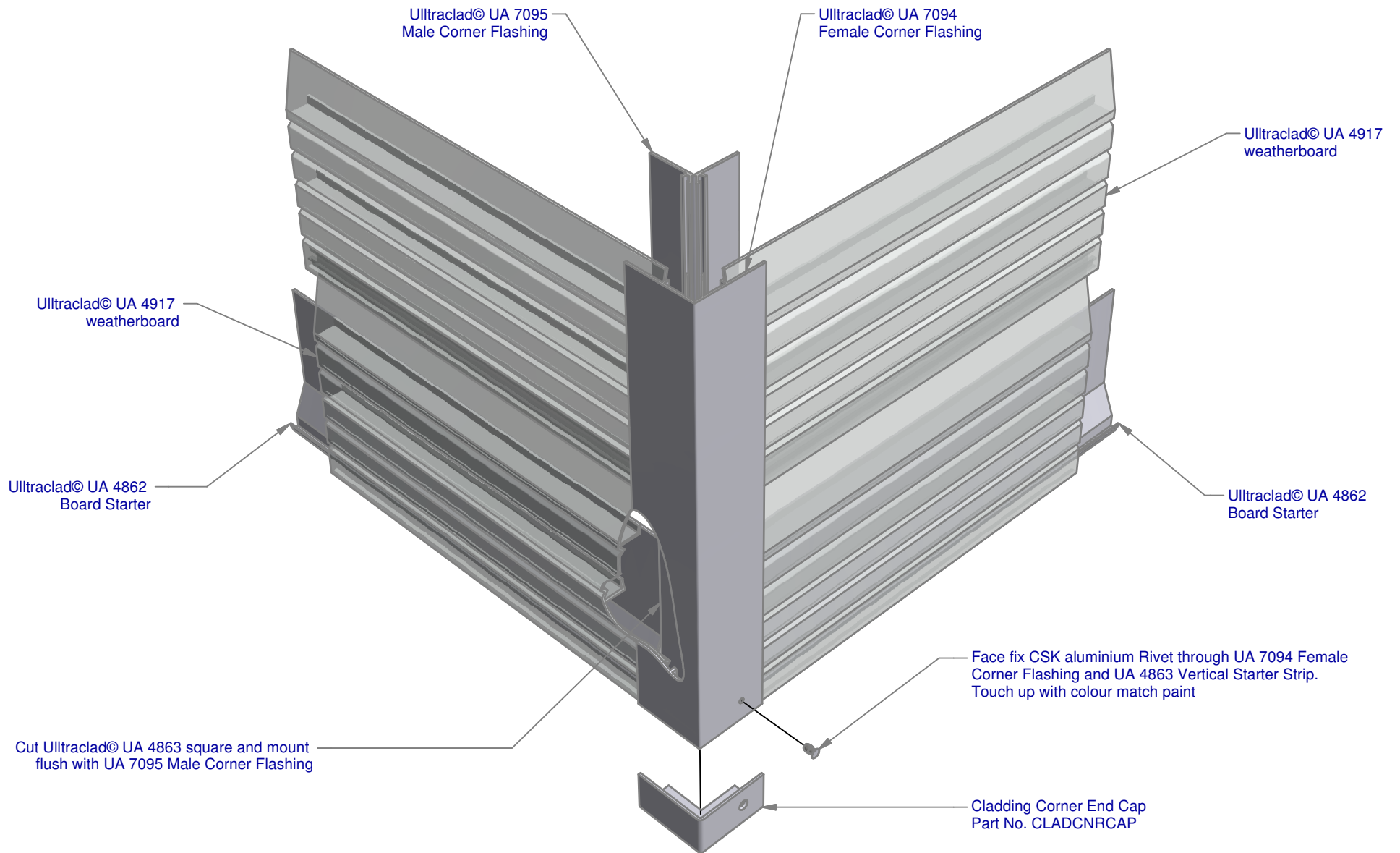
H03

Rev : 08

Horizontal Wall Jointer
UA 4917 TEE BOARD

HORIZONTAL CAVITY SYSTEM
Scale: 1 : 2 @ A4 - 2017

Brnz Appraisal #487 2012. (Horizontal)



ULLTRA CLAD[®]
ALUMINIUM WEATHERBOARDS

ULLTRA CLAD ALUMINIUM CO LTD
PO Box 98 843 Manukau City Auckland 2241
118 Wiri Station Road Wiri 2104 New Zealand
TL 09 262 6262 Ext. 814 Mob 021 541 563
www.ulltraclad.co.nz
© ULLRICH ALUMINIUM - All Rights Reserved

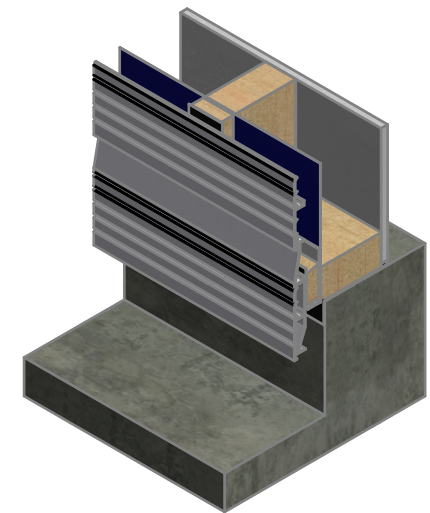
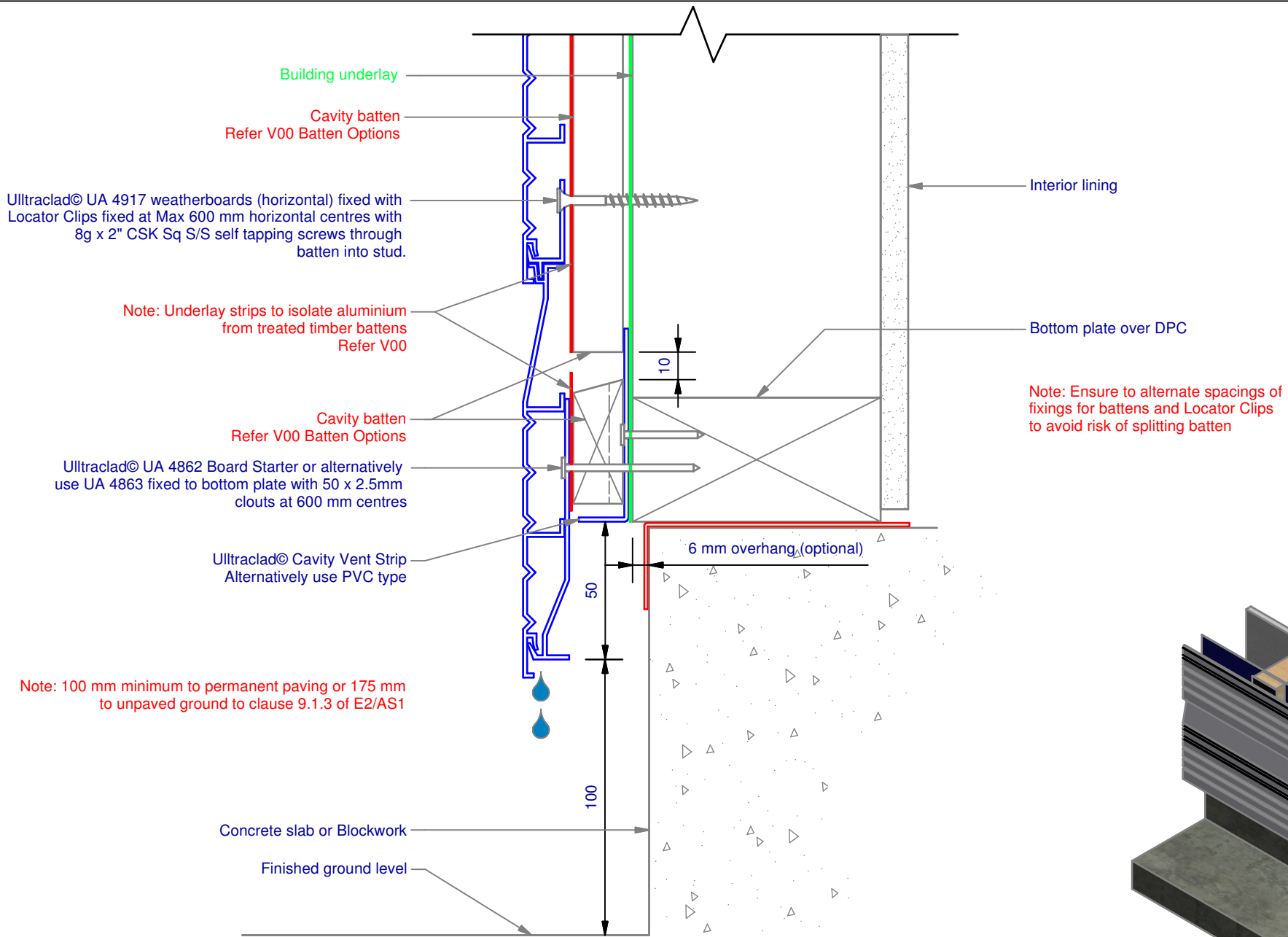
H04

Rev : 08

90° deg Corner Cap
UA 4917 TEE BOARD

HORIZONTAL CAVITY SYSTEM
Scale: 1 : 3 @ A4 - 2017

Brnz Appraisal #487 2012. (Horizontal)



ULLTRACLAD®
ALUMINIUM WEATHERBOARDS

ULLTRACLAD ALUMINIUM CO LTD
PO Box 98 843 Manukau City Auckland 2241
118 Wiri Station Road Wiri 2104 New Zealand
TL 09 262 6262 Ext. 814 Mob 021 541 563

www.ulltraclad.co.nz

© ULLRICH ALUMINIUM - All Rights Reserved

H05

Rev : 08

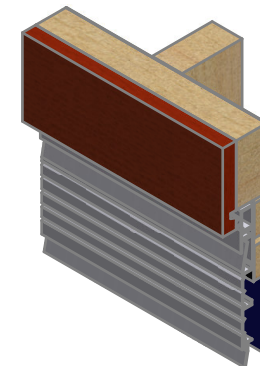
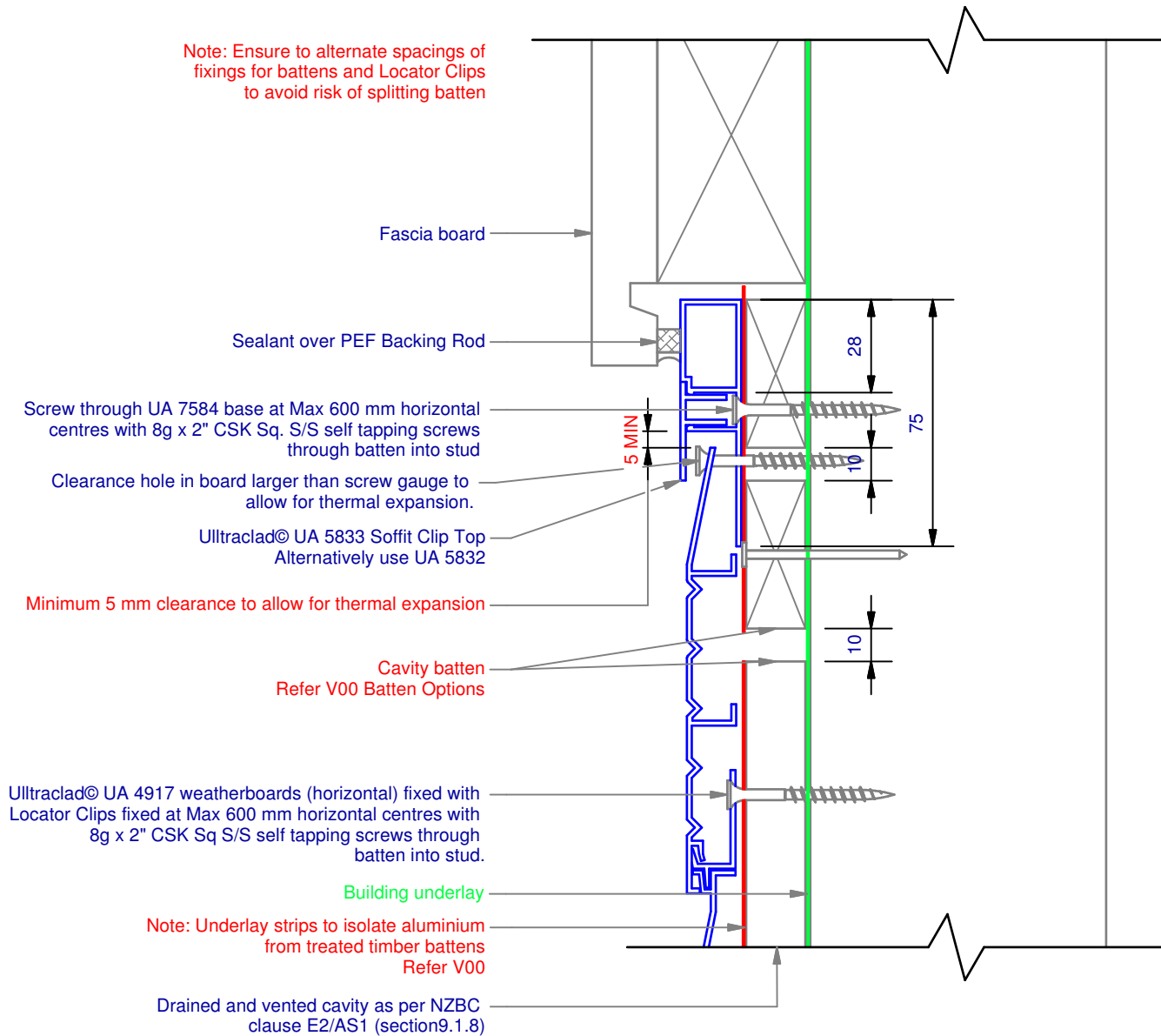
Vertical Wall Starter
UA 4917 TEE BOARD

HORIZONTAL CAVITY SYSTEM

Scale: 1 : 2 @ A4 - 2017

Brnz Appraisal #487 2012. (Horizontal)

Note: Ensure to alternate spacings of fixings for battens and Locator Clips to avoid risk of splitting batten



ULLTRACLAD[®]
ALUMINIUM WEATHERBOARDS

ULLTRACLAD ALUMINIUM CO LTD
PO Box 98 843 Manukau City Auckland 2241
118 Wiri Station Road Wiri 2104 New Zealand
TL 09 262 6262 Ext. 814 Mob 021 541 563

www.ulltraclad.co.nz

© ULLRICH ALUMINIUM - All Rights Reserved

H06

Rev : 08

No Soffit Detail on Cavity

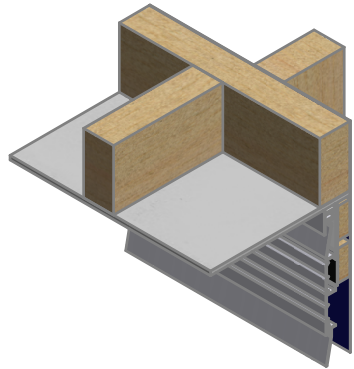
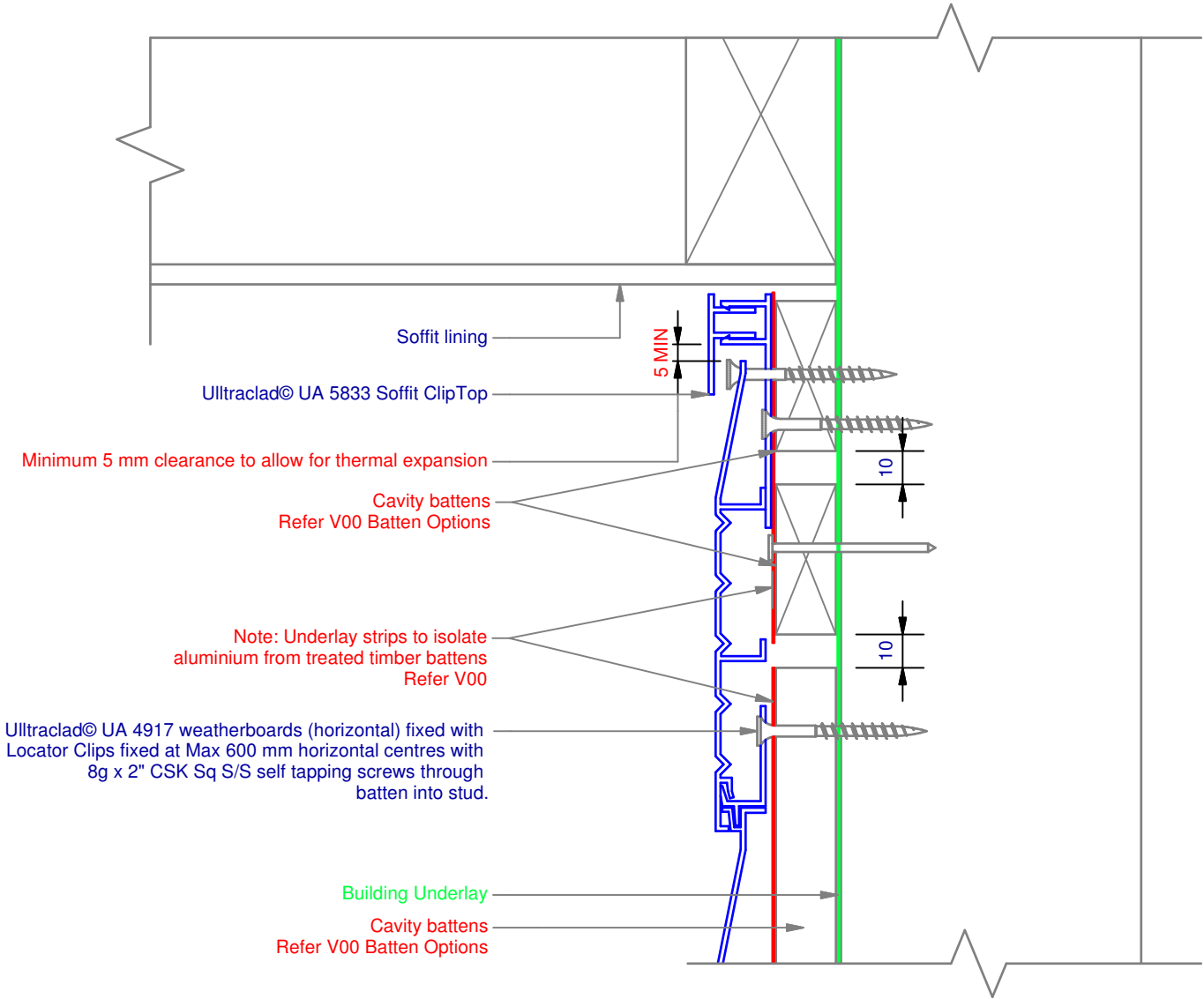
UA 4917 TEE BOARD

HORIZONTAL CAVITY SYSTEM

Scale: 1 : 2 @ A4 - 2017

Brnz Appraisal #487 2012. (Horizontal)

Note: Ensure to alternate spacings of fixings for battens and Locator Clips to avoid risk of splitting batten



ULLTRACLAD[®]
ALUMINIUM WEATHERBOARDS

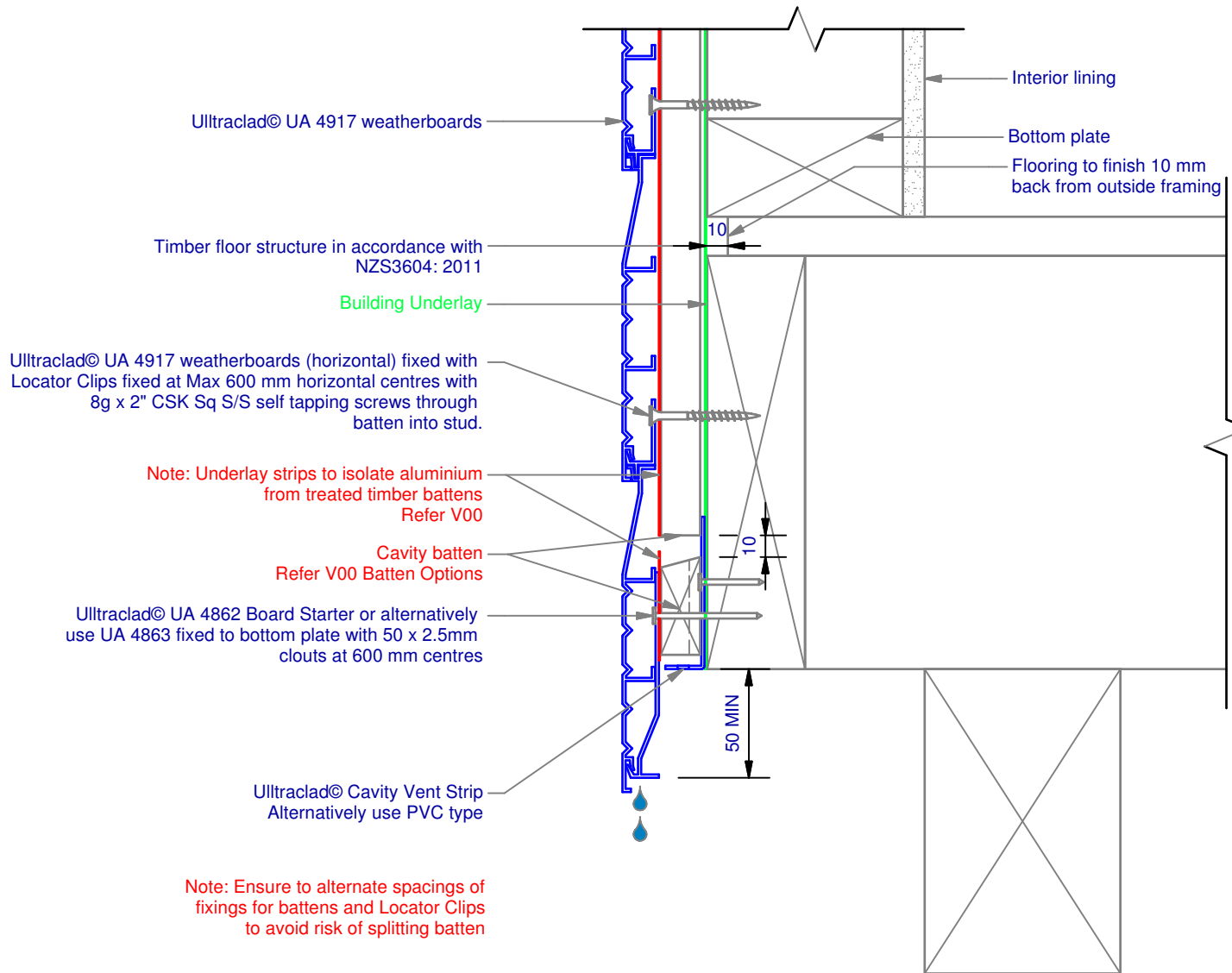
ULLTRACLAD ALUMINIUM CO LTD
PO Box 98 843 Manukau City Auckland 2241
118 Wiri Station Road Wiri 2104 New Zealand
TL 09 262 6262 Ext. 814 Mob 021 541 563
www.ulltraclad.co.nz
© ULLRICH ALUMINIUM - All Rights Reserved

H07
Rev : 08

Soffit Detail on Cavity
UA 4917 TEE BOARD

HORIZONTAL CAVITY SYSTEM
Scale: 1 : 2 @ A4 - 2017

Branz Appraisal #487 2012. (Horizontal)



Ulltraclad® UA 4917 weatherboards

Interior lining

Bottom plate

Flooring to finish 10 mm back from outside framing

Timber floor structure in accordance with NZS3604: 2011

Building Underlay

Ulltraclad® UA 4917 weatherboards (horizontal) fixed with Locator Clips fixed at Max 600 mm horizontal centres with 8g x 2" CSK Sq S/S self tapping screws through batten into stud.

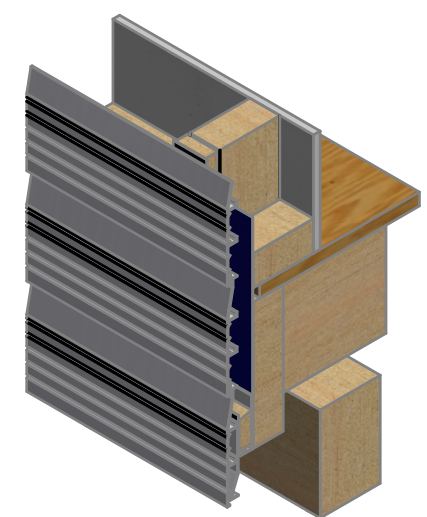
Note: Underlay strips to isolate aluminium from treated timber battens Refer V00

Cavity batten Refer V00 Batten Options

Ulltraclad® UA 4862 Board Starter or alternatively use UA 4863 fixed to bottom plate with 50 x 2.5mm clouts at 600 mm centres

Ulltraclad® Cavity Vent Strip Alternatively use PVC type

Note: Ensure to alternate spacings of fixings for battens and Locator Clips to avoid risk of splitting batten



Ultraclad® UA 4917 weatherboards (horizontal) fixed with Locator Clips fixed at Max 600 mm horizontal centres with 8g x 2" CSK Sq S/S self tapping screws through batten into stud.

Building underlay continuous behind head flashing and into opening

Note: Underlay strips to isolate aluminium from treated timber battens Refer V00

Cavity batten Refer V00 Batten Options

Fixed to lintel at 600 mm centres with 50 x 2.5 mm stainless steel clout.

Ultraclad® Cavity Vent Strip Alternatively use PVC

Ultraclad® UA 4533 Head Starter 5 mm diameter drainage holes drilled through base of Head Starter at 300 mm centres

Window head flashing (15° slope) folded stop end. (Note: not supplied with Ultraclad® system - contractor to supply as additional flashing)

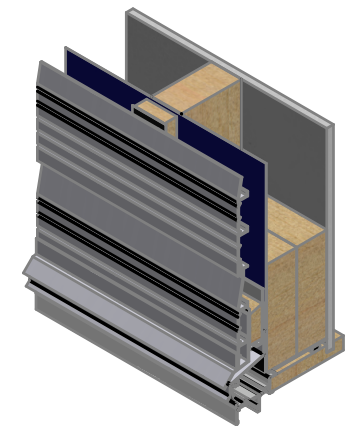
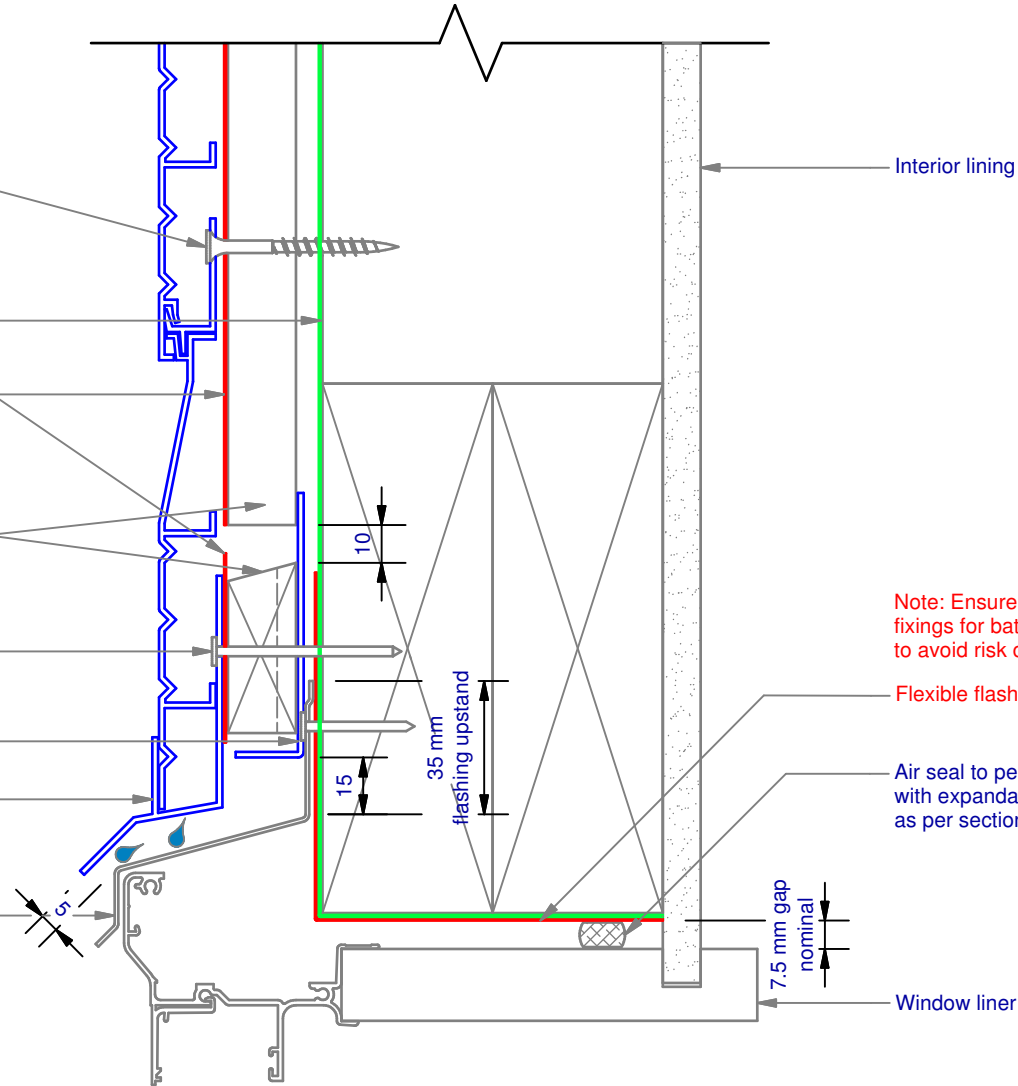
Interior lining

Note: Ensure to alternate spacings of fixings for battens and Locator Clips to avoid risk of splitting batten

Flexible flashing tape at corners

Air seal to perimeter of trim cavity with expandable foam or sealant as per section 9.1.6 of E2/AS1

Window liner



ULLTRACLAD®
ALUMINIUM WEATHERBOARDS

ULLTRACLAD ALUMINIUM CO LTD
PO Box 98 843 Manukau City Auckland 2241
118 Wiri Station Road Wiri 2104 New Zealand
TL 09 262 6262 Ext. 814 Mob 021 541 563

www.ulltraclad.co.nz

© ULLRICH ALUMINIUM - All Rights Reserved

H09

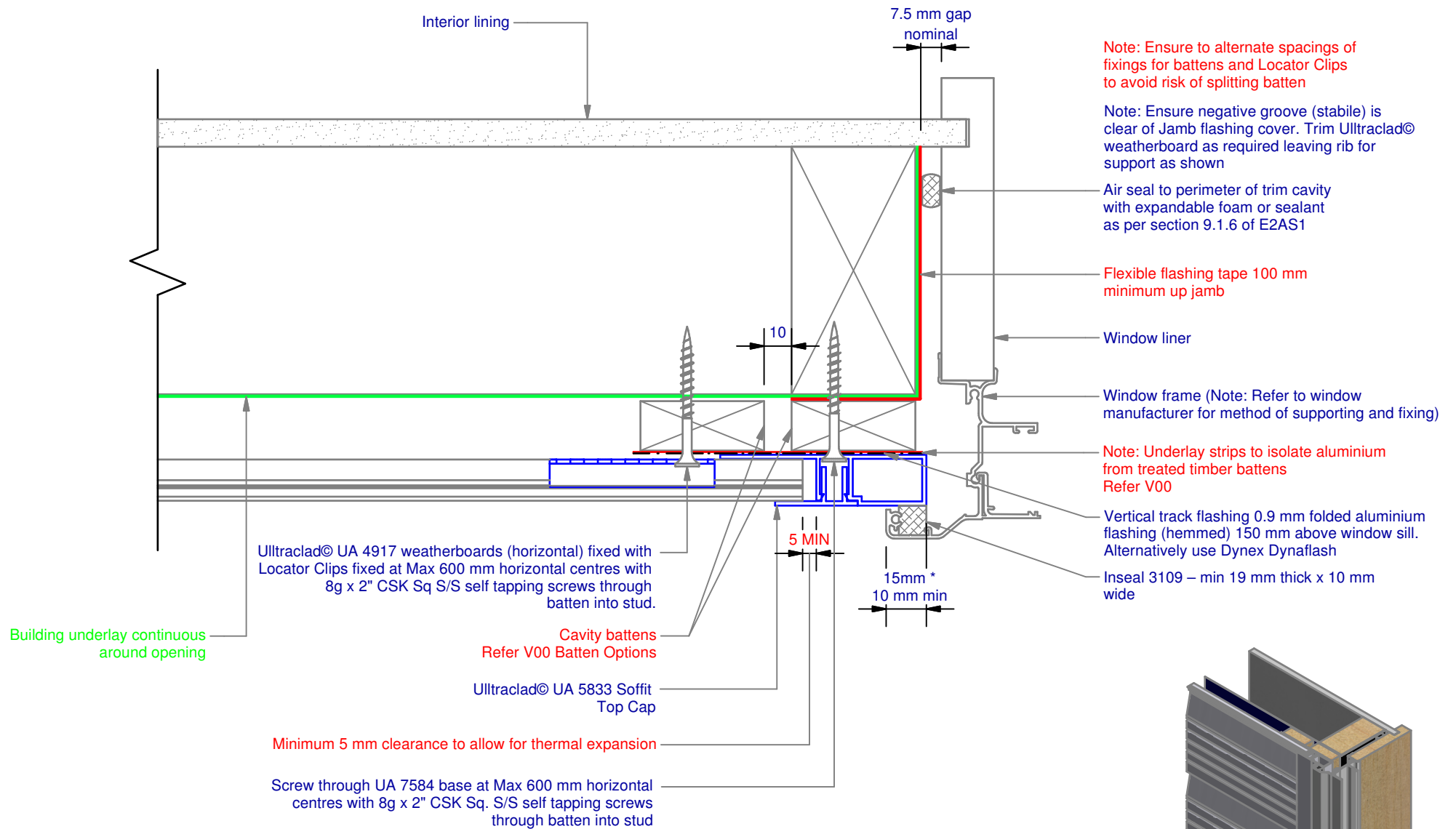
Rev : 08

Window Head on Cavity
UA 4917 TEE BOARD

HORIZONTAL CAVITY SYSTEM

Scale: 1 : 2 @ A4 - 2017

Brnz Appraisal #487 2012. (Horizontal)



Window frame (Note: Refer to window manufacturer for method of supporting and fixing)

Window support bar or window openings wider than 600 mm. Support part to comply with E2/AS1 9.1.10.5(v)

Ultraclad® UA 5833 Soffit Top Cap clipped into UA 7584 mitred in corners to join with Jamb Alternatively use UA 5832

Clearance hole in board larger than screw gauge to allow for thermal expansion.

Minimum 5 mm clearance to allow for thermal expansion

Note: Underlay strips to isolate aluminium from treated timber battens Refer V00

Ultraclad® UA 4917 weatherboards (horizontal) fixed with Locator Clips fixed at Max 600 mm horizontal centres with 8g x 2" CSK Sq S/S self tapping screws through batten into stud.

Building underlay continuous around opening

Vertical track flashing 0.9 mm folded aluminium flashing (hemmed) 150 mm above window sill. Alternatively use Dynex Dynafash

Flexible flashing tape along entire sill. 100 mm up each Jamb and 50 mm onto surface of building underlay

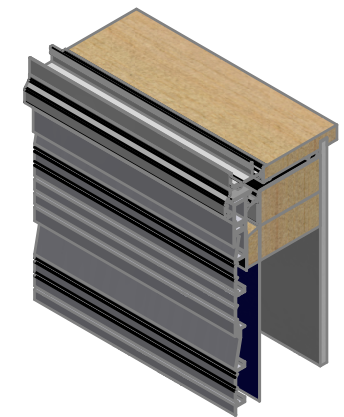
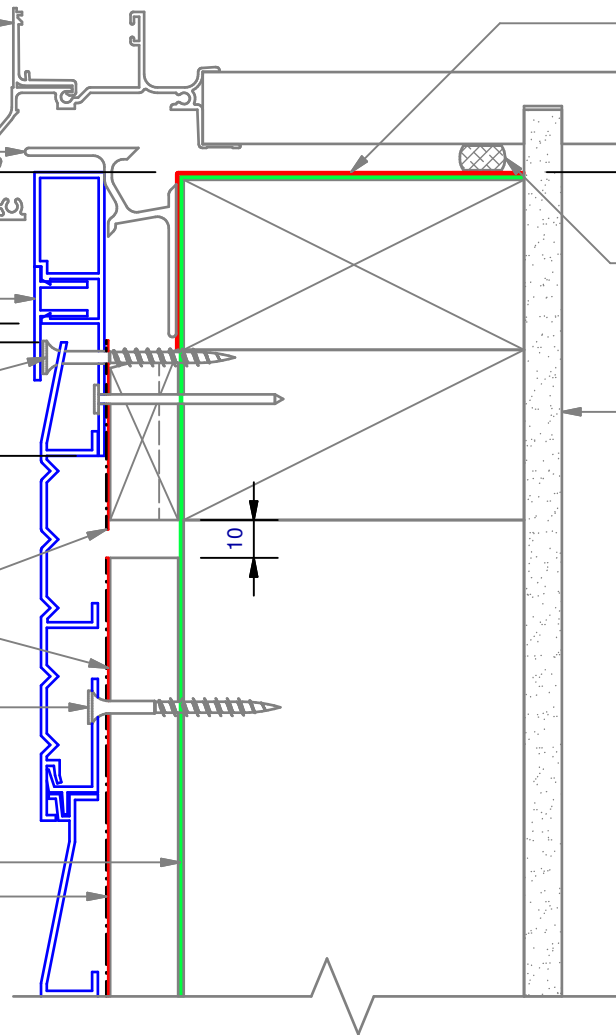
Window liner

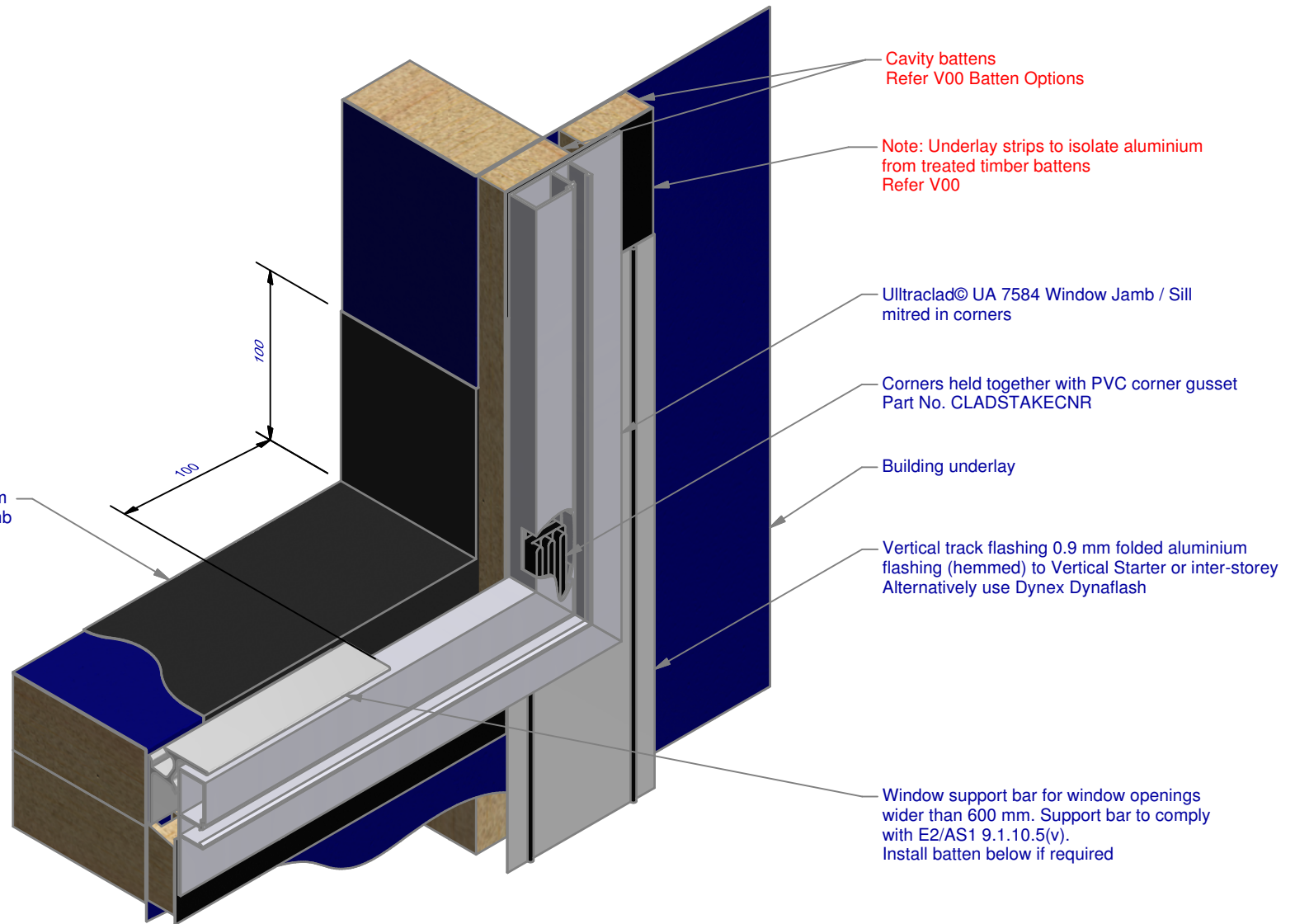
7.5 mm gap nominal

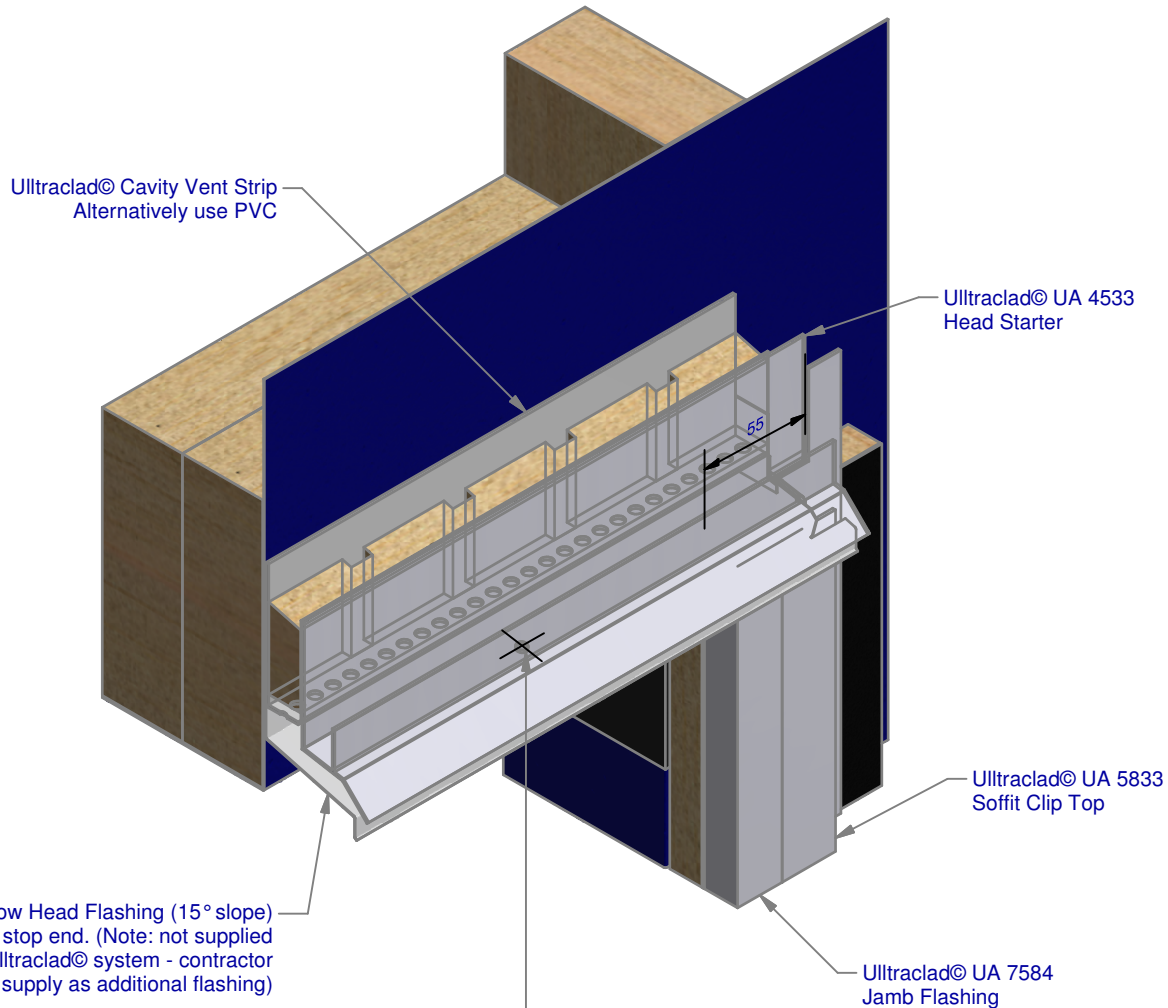
Air seal to perimeter of trim cavity with expandable foam or sealant as per section 9.1.6 of E2/AS1

Interior lining

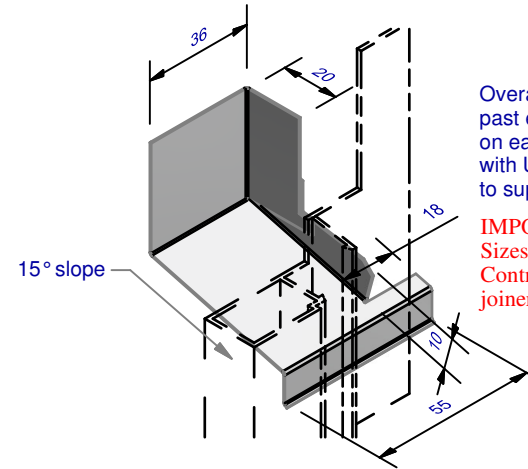
Note: Ensure to alternate spacings of fixings for battens and Locator Clips to avoid risk of splitting batten







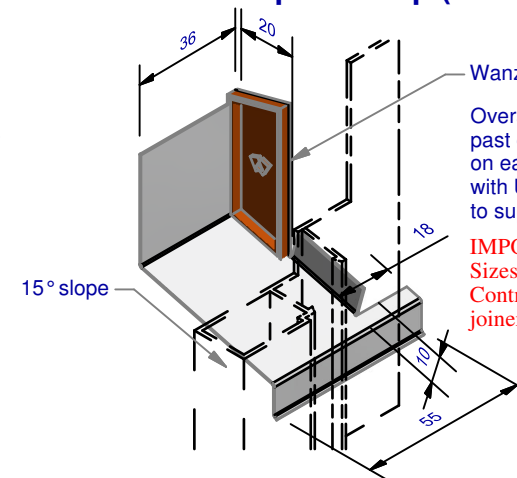
Window Head Flashing Option 1 Cut & Fold Stop End (1 : 2)



Overall Head Flashing length = +40 mm
past edge of window and door joinery
on each side. (Note: not supplied
with Ulltraclad® system - contractor
to supply as additional flashing)

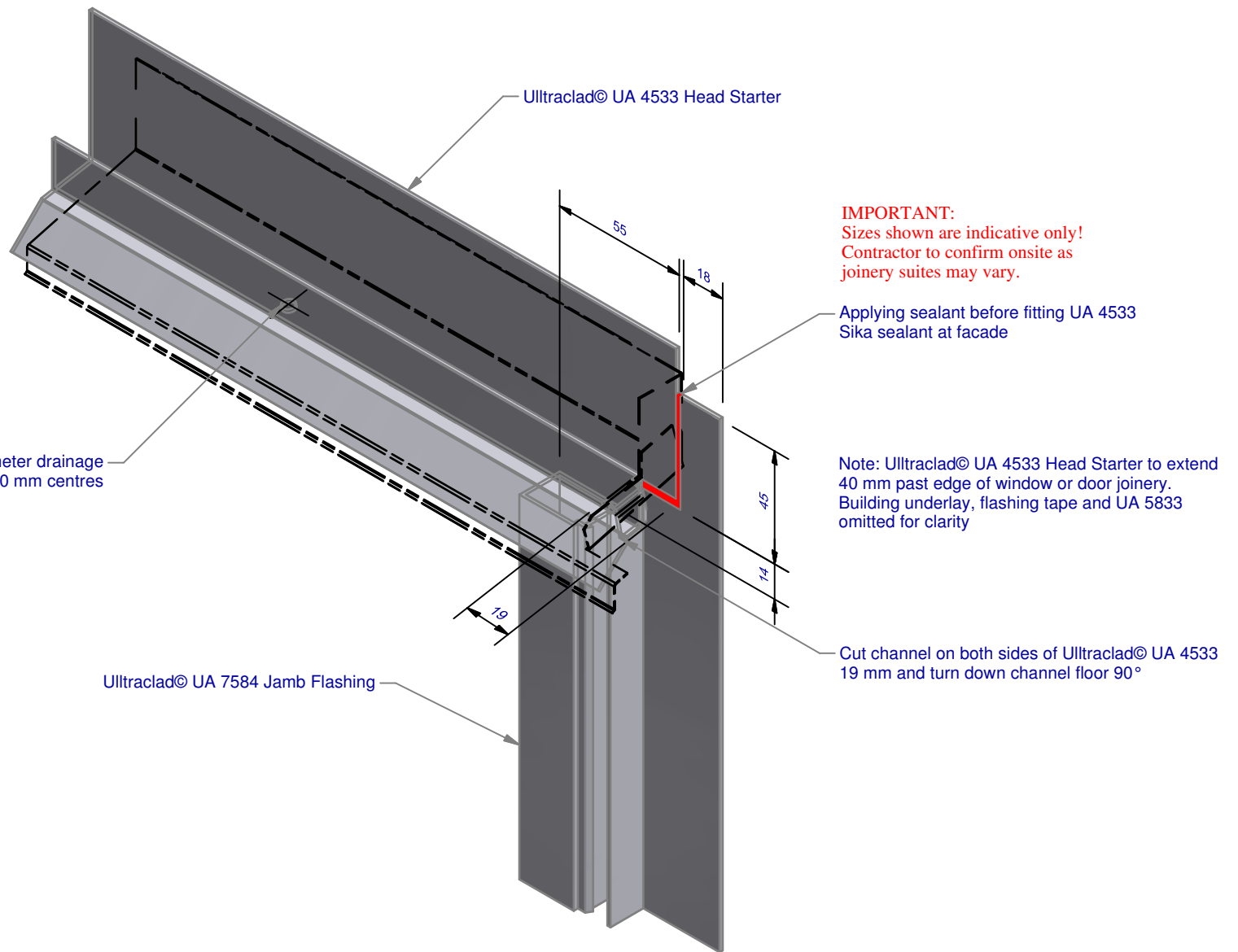
IMPORTANT:
Sizes shown are indicative only!
Contractor to confirm onsite as
joinery suites may vary.

Window Head Flashing Option 2 Wanz Plastic Stop End Cap (1 : 2)



Overall Head Flashing length = +40 mm
past edge of window and door joinery
on each side. (Note: not supplied
with Ulltraclad® system - contractor
to supply as additional flashing)

IMPORTANT:
Sizes shown are indicative only!
Contractor to confirm onsite as
joinery suites may vary.



Ulltraclad® UA 4533 Head Starter 5 mm diameter drainage holes drilled through base of Head Starter at 300 mm centres

IMPORTANT:
 Sizes shown are indicative only!
 Contractor to confirm onsite as
 joinery suites may vary.

Applying sealant before fitting UA 4533
 Sika sealant at facade

Note: Ulltraclad® UA 4533 Head Starter to extend
 40 mm past edge of window or door joinery.
 Building underlay, flashing tape and UA 5833
 omitted for clarity

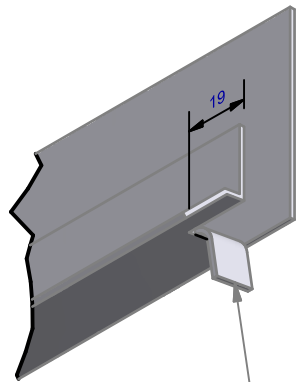
Cut channel on both sides of Ulltraclad® UA 4533
 19 mm and turn down channel floor 90°

Ulltraclad® UA 7584 Jamb Flashing

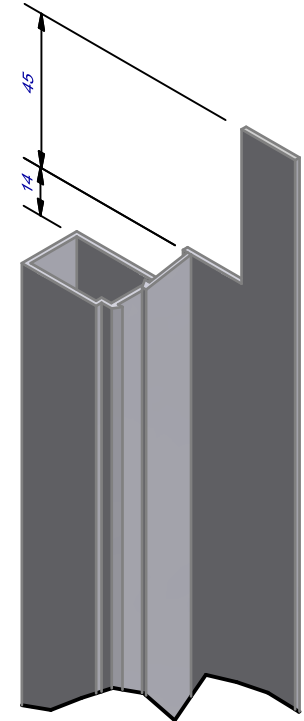
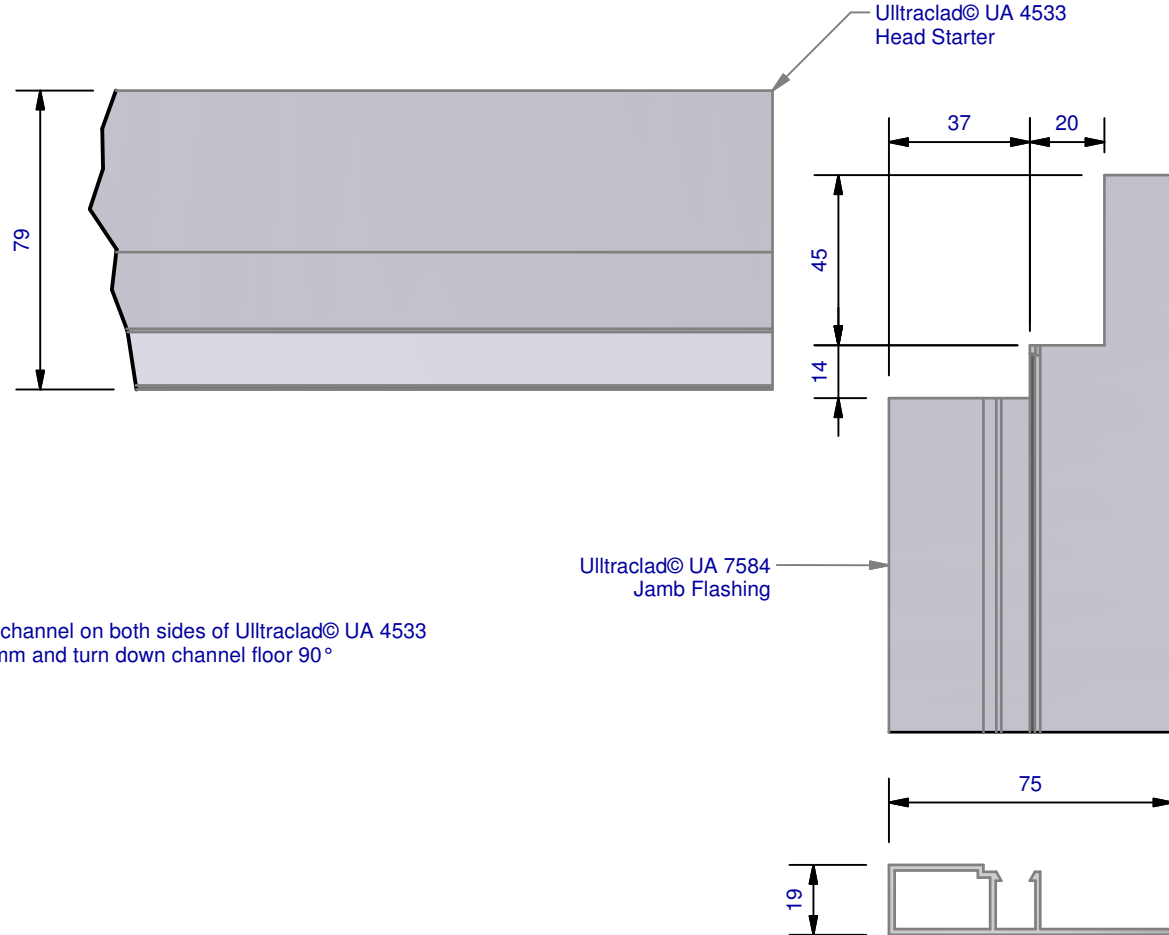
Ultraclad® UA 4533 Head Starter 5 mm diameter drainage holes drilled through base of Head Starter at 300 mm centres



IMPORTANT:
 Sizes shown are indicative only!
 Contractor to confirm onsite as
 joinery suites may vary.



Cut channel on both sides of Ultraclad® UA 4533
 19 mm and turn down channel floor 90°



Cavity batten
Refer V00 Batten Options

Ultraclad® UA 4917 weatherboards (horizontal) fixed with Locator Clips fixed at Max 600 mm horizontal centres with 8g x 2" CSK Sq S/S self tapping screws through batten into stud.

Note: Underlay strips to isolate aluminium from treated timber battens
Refer V00

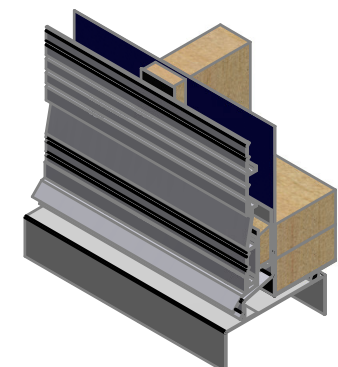
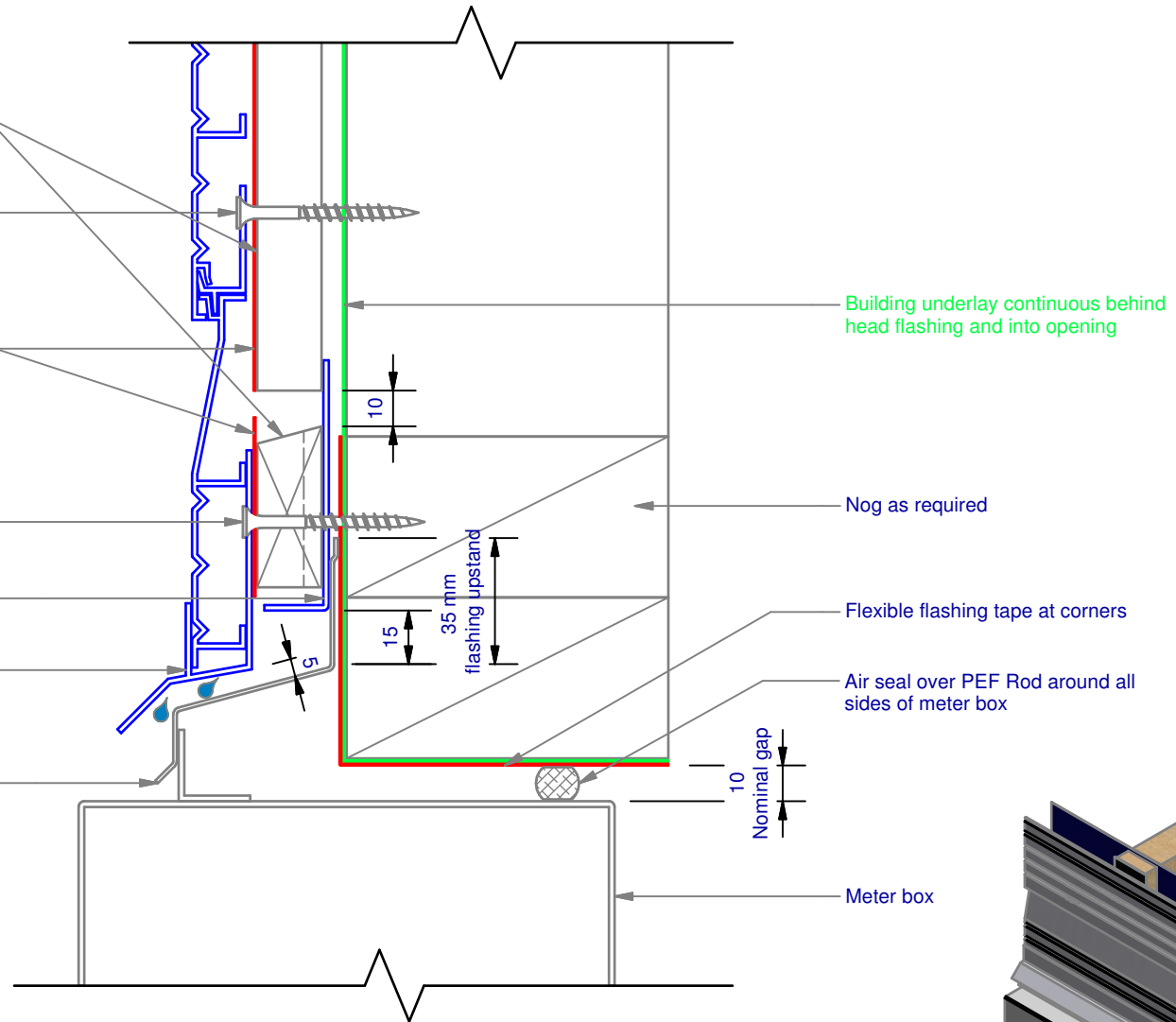
Ultraclad® UA 4863 Vertical Starter Strip fixed to bottom plate at 600 mm centres with 8g x 2" CSK Sq. S/S self tapping screws

Ultraclad® Cavity Vent Strip
Alternatively use PVC type

Ultraclad® UA 4533 Head Starter 5 mm diameter drainage holes drilled through base of flashing at 300 mm centres

Aluminium flashing 15° slope
(Note: not supplied with Ultraclad® system - contractor to supply as additional flashing)

Note: Ensure to alternate spacings of fixings for battens and Locator Clips to avoid risk of splitting batten



ULLTRACLAD®
ALUMINIUM WEATHERBOARDS

ULLTRACLAD ALUMINIUM CO LTD
PO Box 98 843 Manukau City Auckland 2241
118 Wiri Station Road Wiri 2104 New Zealand
TL 09 262 6262 Ext. 814 Mob 021 541 563

www.ulltraclad.co.nz

© ULLRICH ALUMINIUM - All Rights Reserved

H16

Rev : 08

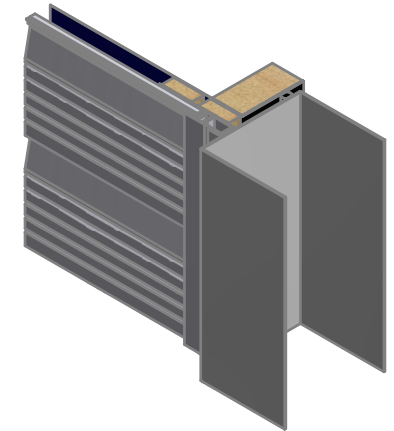
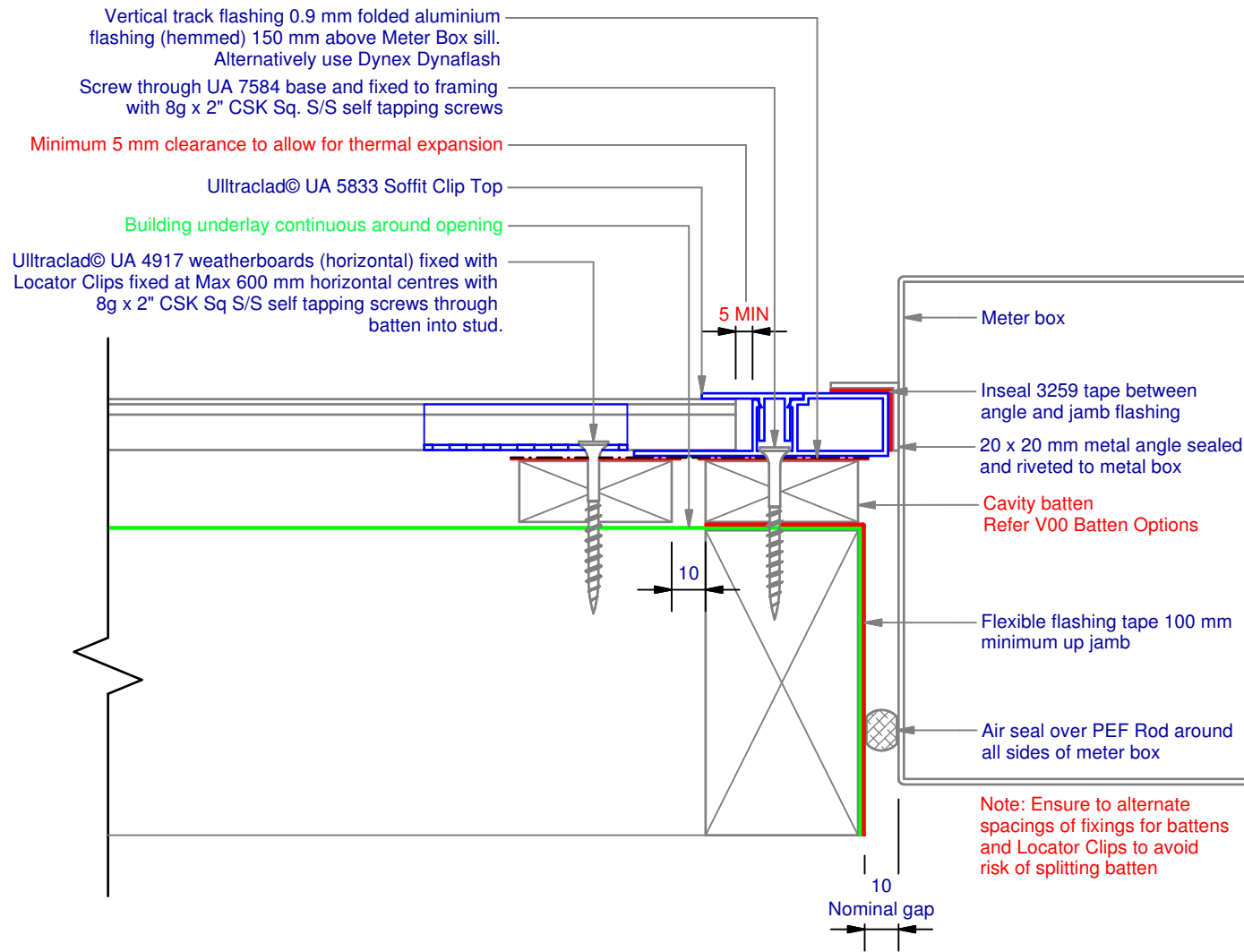
Meter Box Head on Cavity

UA 4917 TEE BOARD

HORIZONTAL CAVITY SYSTEM

Scale: 1 : 2 @ A4 - 2017

Brnz Appraisal #487 2012. (Horizontal)



ULLTRA CLAD®
ALUMINIUM WEATHERBOARDS

ULLTRA CLAD ALUMINIUM CO LTD
PO Box 98 843 Manukau City Auckland 2241
118 Wiri Station Road Wiri 2104 New Zealand
TL 09 262 6262 Ext. 814 Mob 021 541 563

www.ulltraclad.co.nz

© ULLRICH ALUMINIUM - All Rights Reserved

H17

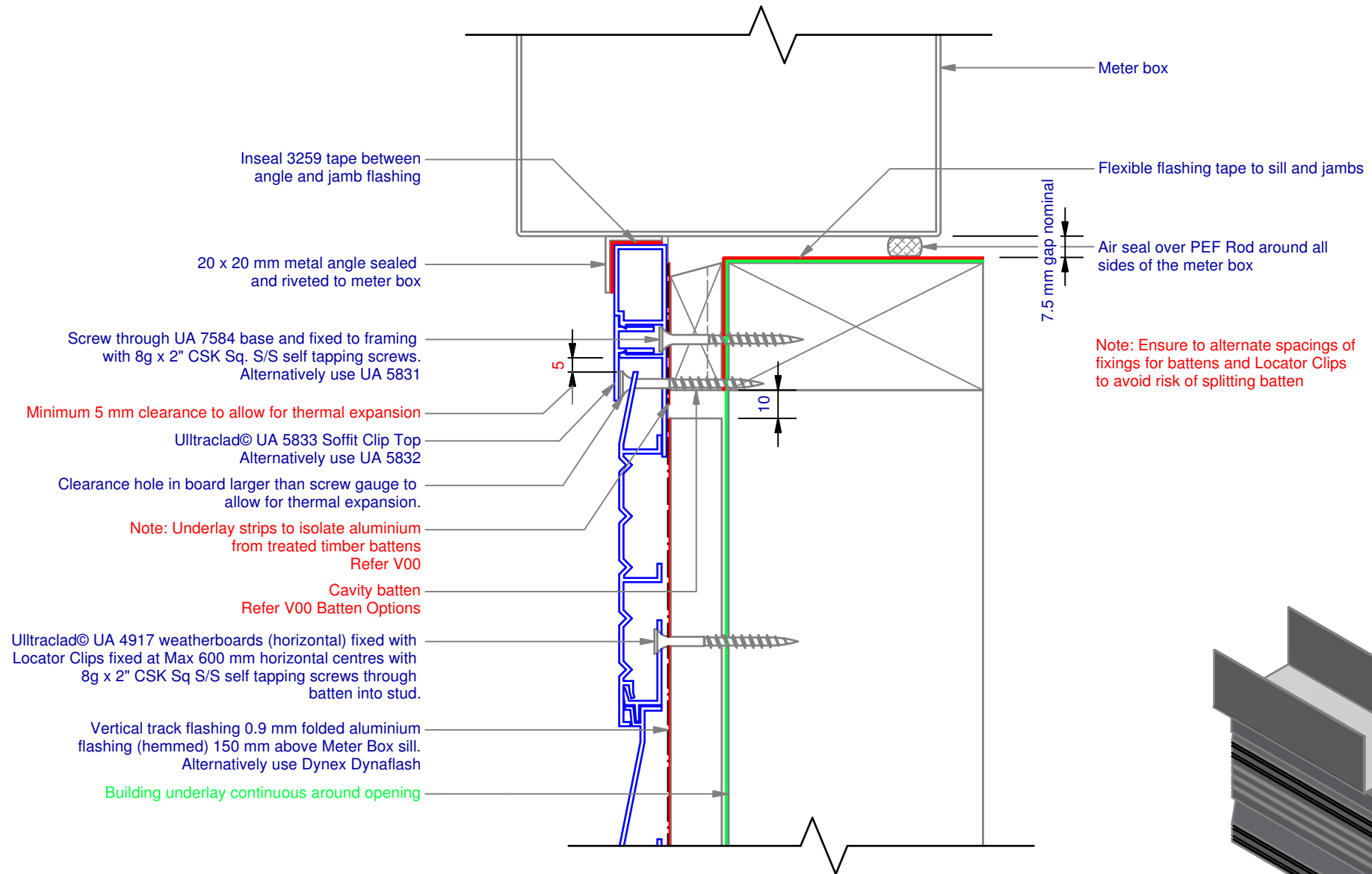
Rev : 08

Meter Box Jamb on Cavity
UA 4917 TEE BOARD

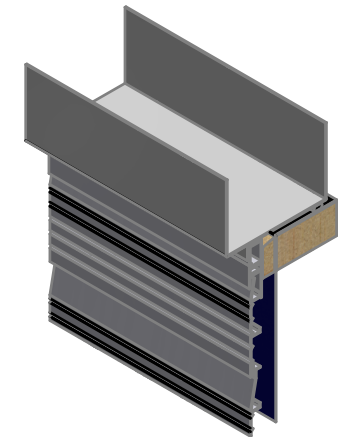
HORIZONTAL CAVITY SYSTEM

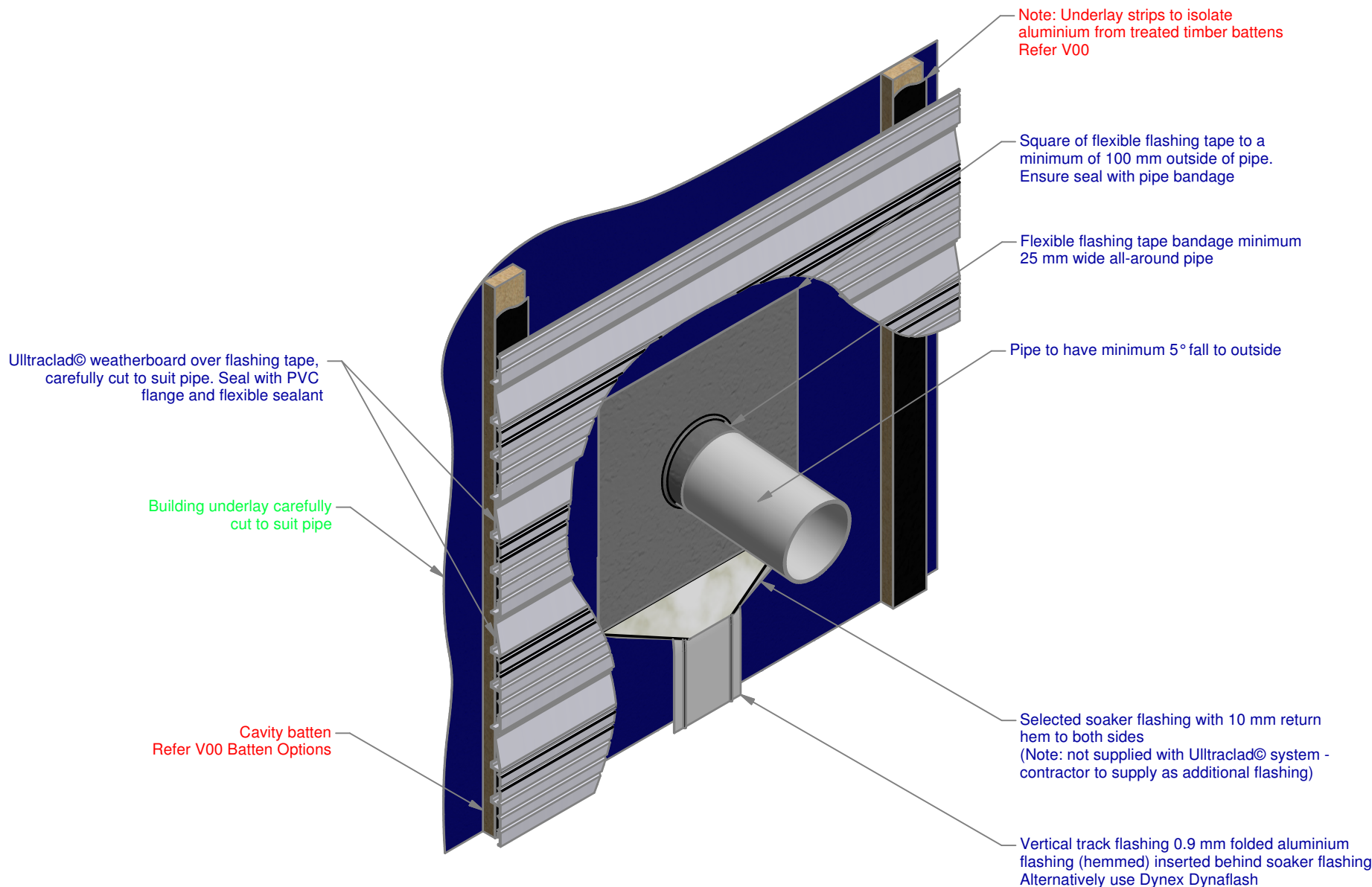
Scale: 1 : 2 @ A4 - 2017

Brnz Appraisal #487 2012. (Horizontal)



Note: Ensure to alternate spacings of fixings for battens and Locator Clips to avoid risk of splitting batten





Note: Underlay strips to isolate aluminium from treated timber battens Refer V00

Square of flexible flashing tape to a minimum of 100 mm outside of pipe. Ensure seal with pipe bandage

Flexible flashing tape bandage minimum 25 mm wide all-around pipe

Pipe to have minimum 5° fall to outside

Ultraclad® weatherboard over flashing tape, carefully cut to suit pipe. Seal with PVC flange and flexible sealant

Building underlay carefully cut to suit pipe

Cavity batten Refer V00 Batten Options

Selected soaker flashing with 10 mm return hem to both sides (Note: not supplied with Ultraclad® system - contractor to supply as additional flashing)

Vertical track flashing 0.9 mm folded aluminium flashing (hemmed) inserted behind soaker flashing Alternatively use Dynex Dynafash

Building underlay continuous around opening

Ultraclad® UA 4917 weatherboards (horizontal) fixed with Locator Clips fixed at Max 600 mm horizontal centres with 8g x 2" CSK Sq S/S self tapping screws through batten into stud.

Ultraclad® Cavity Vent Strip
Alternatively use PVC type

Cavity batten
Refer V00 Batten Options

Note: Underlay strips to isolate aluminium from treated timber battens.
Refer V00

Ultraclad® UA 4863 Vertical Starter alternatively use UA 4862. 5 mm diameter drainage hole drilled through base of Vertical Starter at 300 mm centres

Apron flashing with 75 mm up stand cover behind cladding

35 mm min clear gap

10

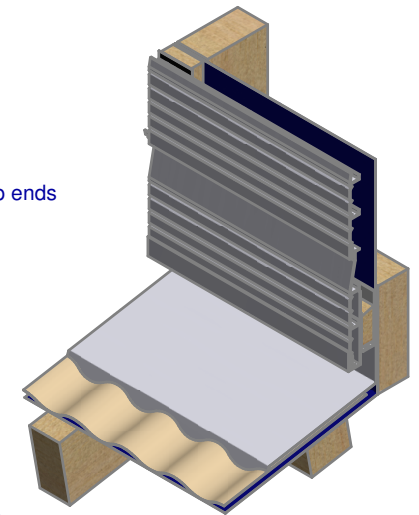
Note: Ensure to alternate spacings of fixings for battens and Locator Clips to avoid risk of splitting batten

75 mm min flashing leg above bottom of weatherboard

Nog as required

Roofing underlay turned up under flashing

Selected roofing with stop ends



ULLTRACLAD®
ALUMINIUM WEATHERBOARDS

ULLTRACLAD ALUMINIUM CO LTD
PO Box 98 843 Manukau City Auckland 2241
118 Wiri Station Road Wiri 2104 New Zealand
TL 09 262 6262 Ext. 814 Mob 021 541 563

www.ulltracoad.co.nz

© ULLRICH ALUMINIUM - All Rights Reserved

H20

Rev : 08

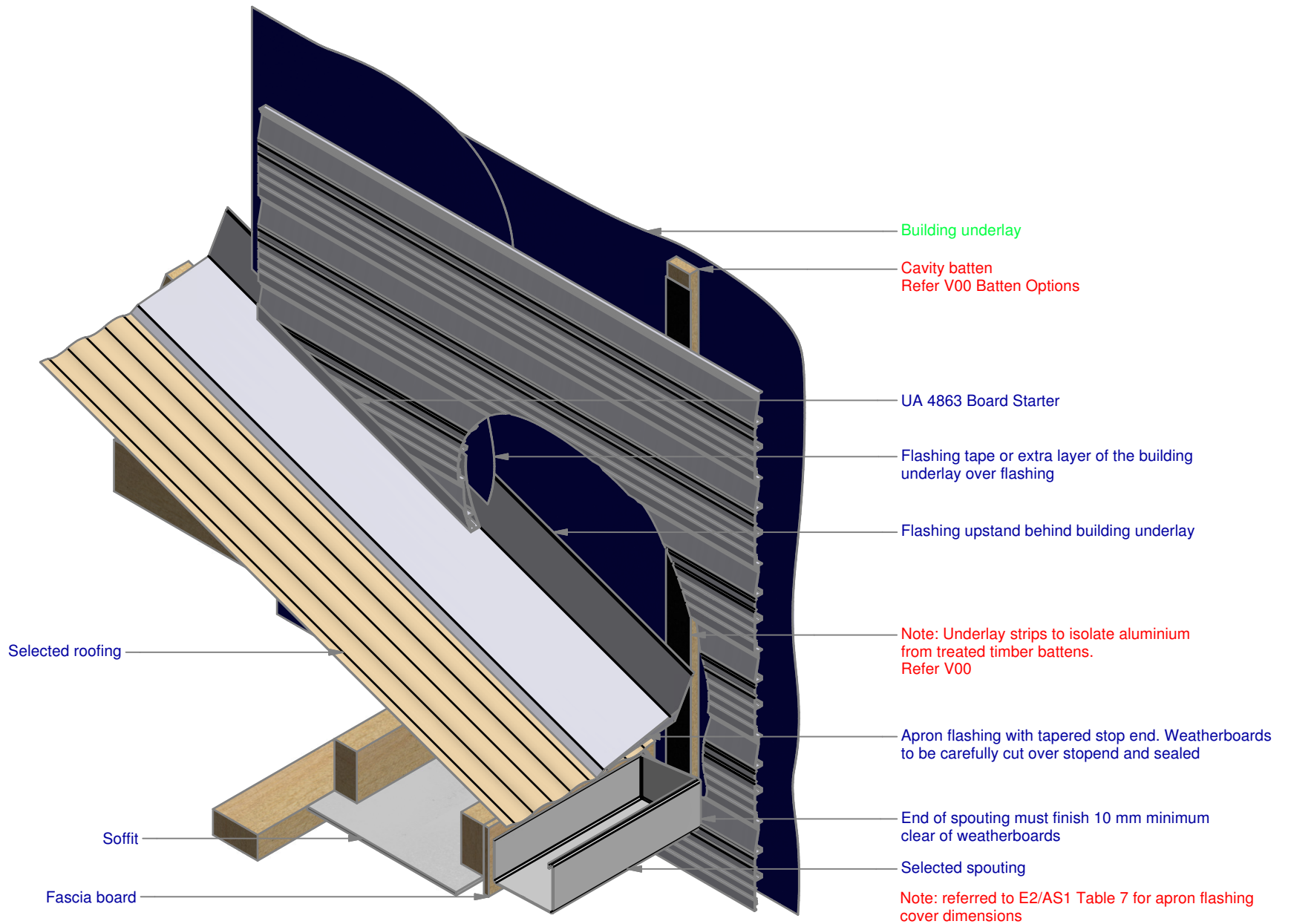
Roof-Wall Junction on Cavity

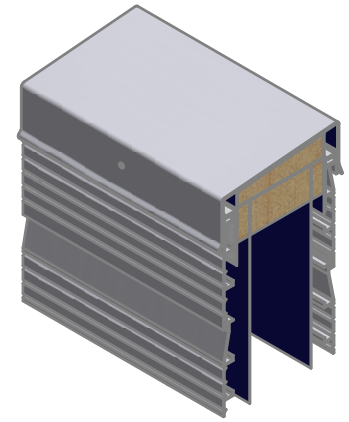
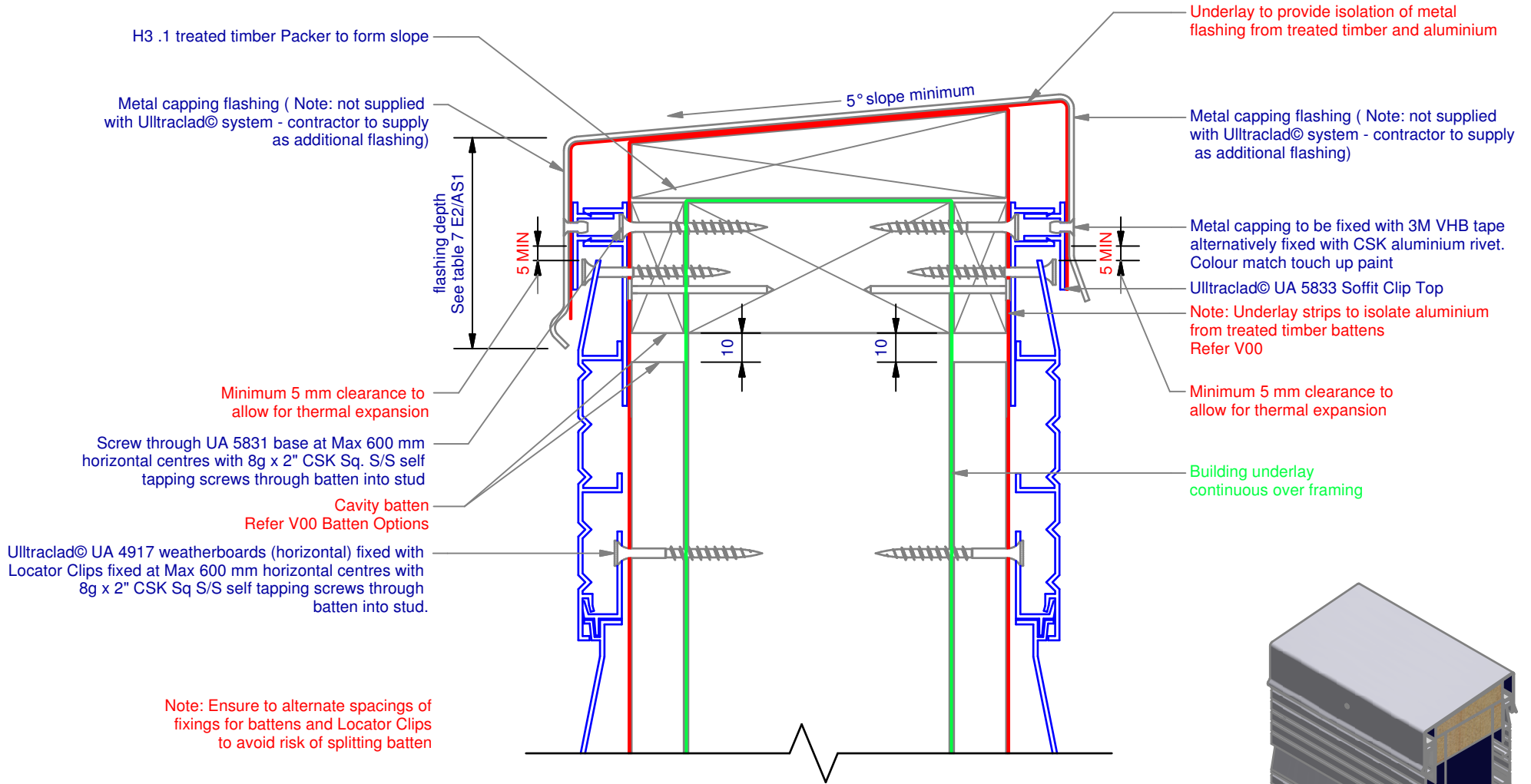
UA 4917 TEE BOARD

HORIZONTAL CAVITY SYSTEM

Scale: 1 : 3 @ A4 - 2017

Brnz Appraisal #487 2012. (Horizontal)





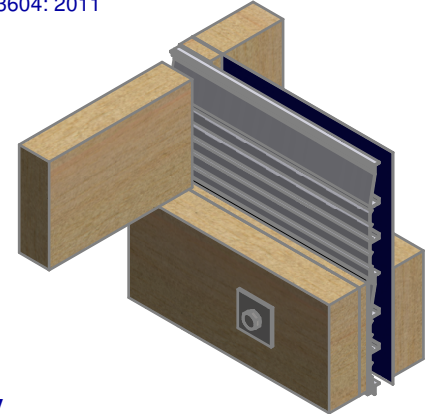
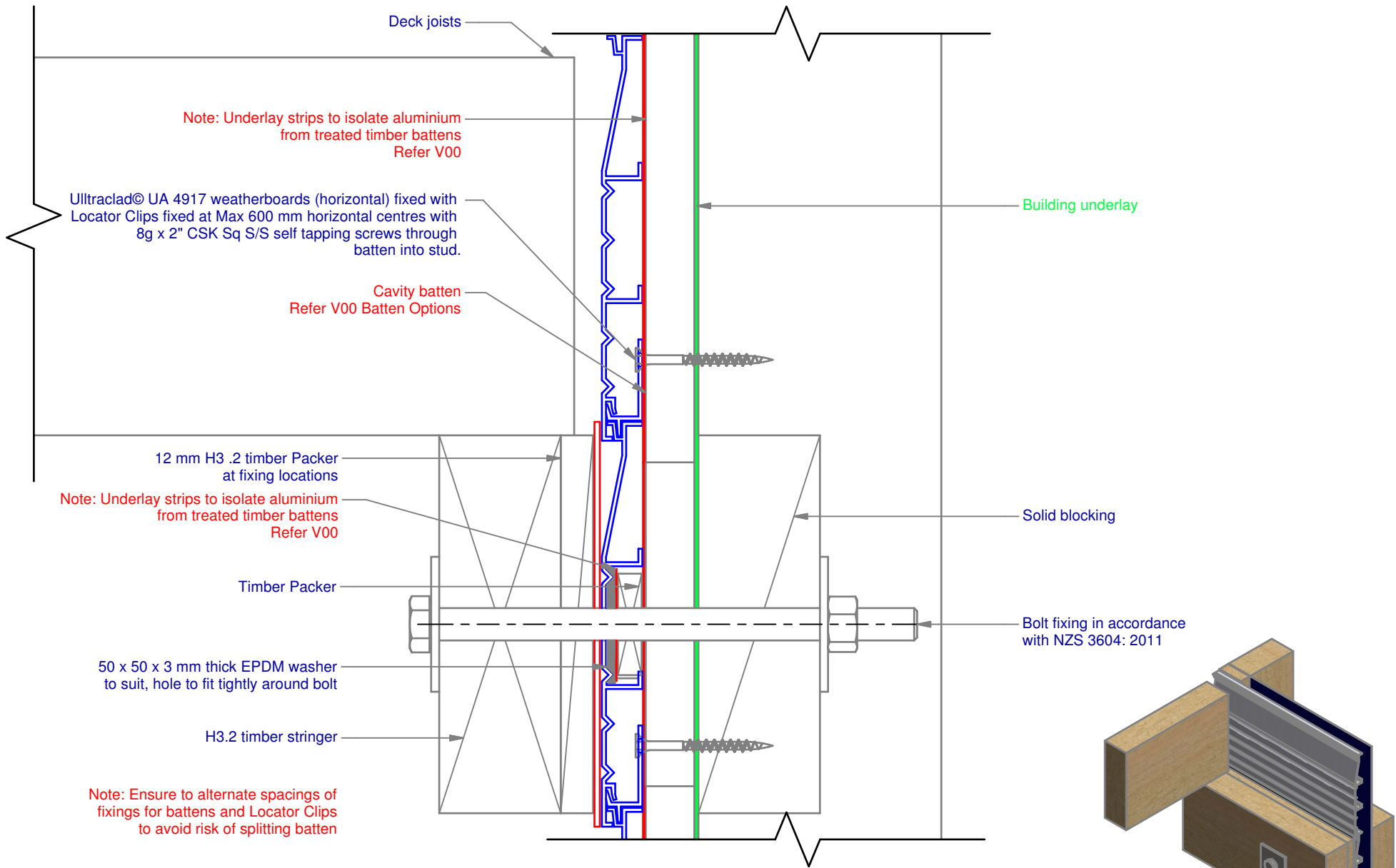
ULLTRACLAD[®]
ALUMINIUM WEATHERBOARDS

ULLTRACLAD ALUMINIUM CO LTD
PO Box 98 843 Manukau City Auckland 2241
118 Wiri Station Road Wiri 2104 New Zealand
TL 09 262 6262 Ext. 814 Mob 021 541 563
www.ulltracalad.co.nz
© ULLRICH ALUMINIUM - All Rights Reserved

H22
Rev : 08

Parapet on Cavity
UA 4917 TEE BOARD
HORIZONTAL CAVITY SYSTEM
Scale: 1 : 2 @ A4 - 2017

Brnz Appraisal #487 2012. (Horizontal)



ULLTRACLAD[®]
ALUMINIUM WEATHERBOARDS

ULLTRACLAD ALUMINIUM CO LTD
PO Box 98 843 Manukau City Auckland 2241
118 Wiri Station Road Wiri 2104 New Zealand
TL 09 262 6262 Ext. 814 Mob 021 541 563
www.ulltraclad.co.nz
© ULLRICH ALUMINIUM - All Rights Reserved

H23
Rev : 08

Deck Junction on Cavity
UA 4917 TEE BOARD
HORIZONTAL CAVITY SYSTEM
Scale: 1 : 2 @ A4 - 2017

Brnz Appraisal #487 2012. (Horizontal)

Note: Ensure to alternate spacings of fixings for battens and Locator Clips to avoid risk of splitting batten

Building underlay

Ultraclad® UA 4917 weatherboards (horizontal) fixed with Locator Clips fixed at Max 600 mm horizontal centres with 8g x 2" CSK Sq S/S self tapping screws through batten into stud.

Note: Underlay strips to isolate aluminium from treated timber battens Refer V00

Ultraclad® UA 4862 Board Starter or alternatively use UA 4863 fixed to bottom plate with 50 x 2.5mm clouts at 600 mm centres

Aluminium inter-storey flashing 15° slope (Note: not supplied with Ultraclad® system - contractor to supply as additional flashing)

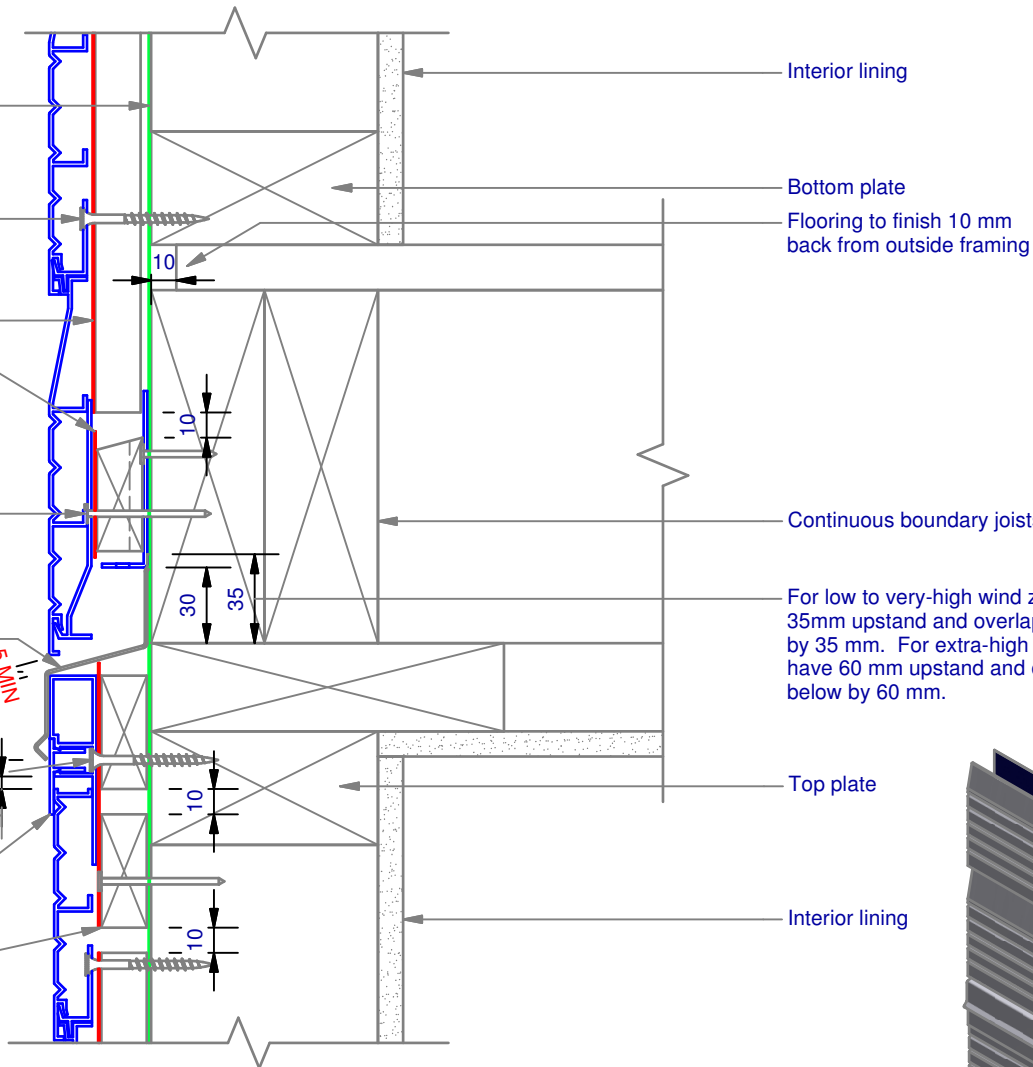
Screw through UA 7584 base at Max 600 mm horizontal centres with 8g x 2" CSK Sq. S/S self tapping screws through batten into stud

Minimum 5 mm clearance to allow for thermal expansion

Ultraclad® UA 5833 Soffit Clip Top

Cavity batten Refer V00 Batten Options

Note: this detail is required to limit cavities to 2 storeys or 7 m Max - Refer E2/AS1 clause 9.1.9.4



Interior lining

Bottom plate

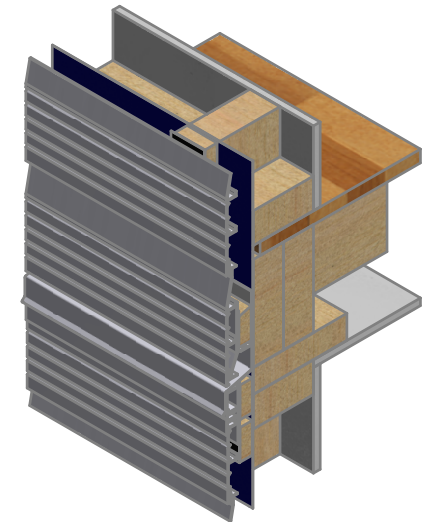
Flooring to finish 10 mm back from outside framing

Continuous boundary joists

For low to very-high wind zones the 'Z' flashing must have a 35mm upstand and overlap the weatherboard face below by 35 mm. For extra-high wind zones the 'Z' flashing must have 60 mm upstand and overlap the weatherboard face below by 60 mm.

Top plate

Interior lining



ULLTRACLAD®
ALUMINIUM WEATHERBOARDS

ULLTRACLAD ALUMINIUM CO LTD
PO Box 98 843 Manukau City Auckland 2241
118 Wiri Station Road Wiri 2104 New Zealand
TL 09 262 6262 Ext. 814 Mob 021 541 563

www.ulltracalad.co.nz

© ULLRICH ALUMINIUM - All Rights Reserved

H24

Rev : 08

Inter-Storey Junction on Cavity

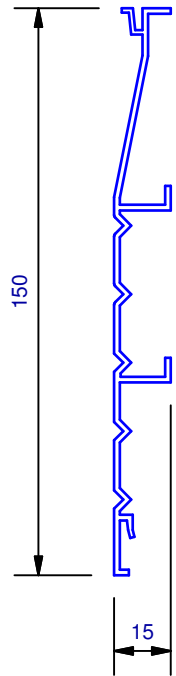
UA 4917 TEE BOARD

HORIZONTAL CAVITY SYSTEM

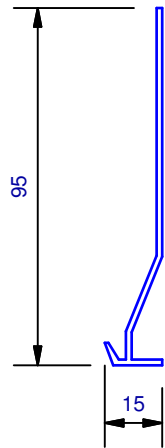
Scale: 1 : 3 @ A4 - 2017

Brnz Appraisal #487 2012. (Horizontal)

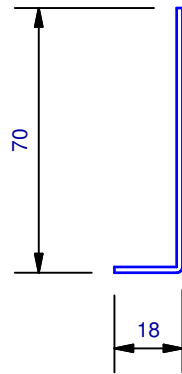
UA 4917
Tee Board



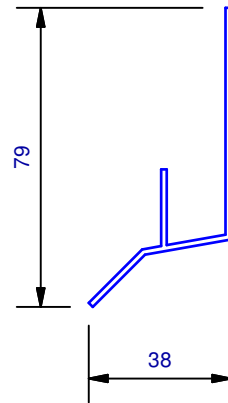
UA 4862
Board Starter



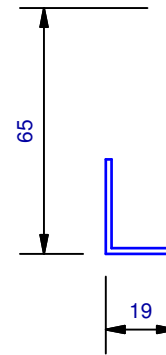
Cavity Vent Strip



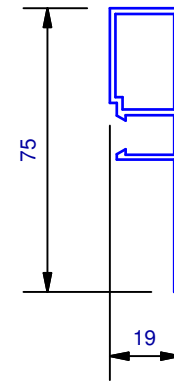
UA 4533
Head Starter



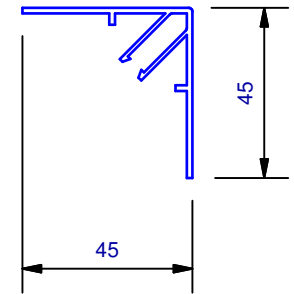
UA 4532
J Moulding



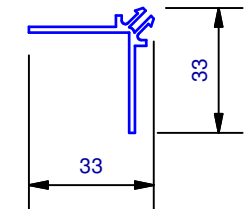
UA 7584
Jamb/Sill Clip Base



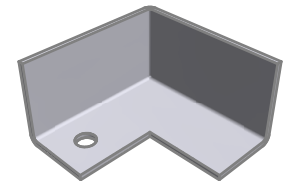
UA 7094
Female Flat Corner



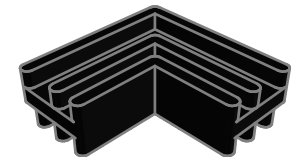
UA 7095
Male Flat Corner



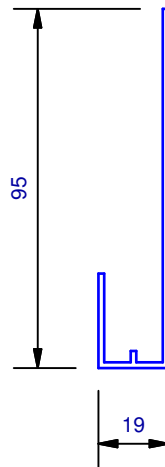
CLADCNRCAP
Corner Cap



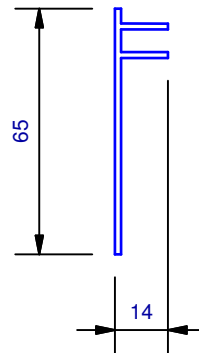
CLADSTAKECNR
Plastic Staking Corner



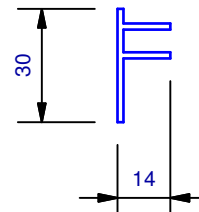
UA 4863
Horizontal Board Starter



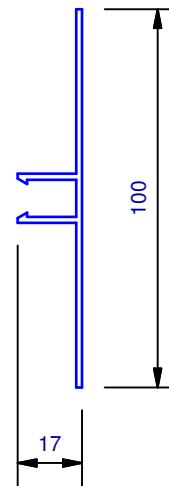
UA 5832
Soffit 65mm Clip Top



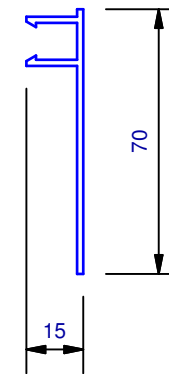
UA 5833
Soffit 30mm Clip Top



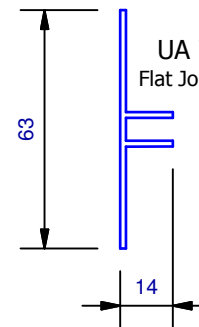
UA 6324
2 Piece Jointer Base



UA 5831
Soffit Clip Base



UA 7096
Flat Jointer Top



UA 4535
Locator Clip

