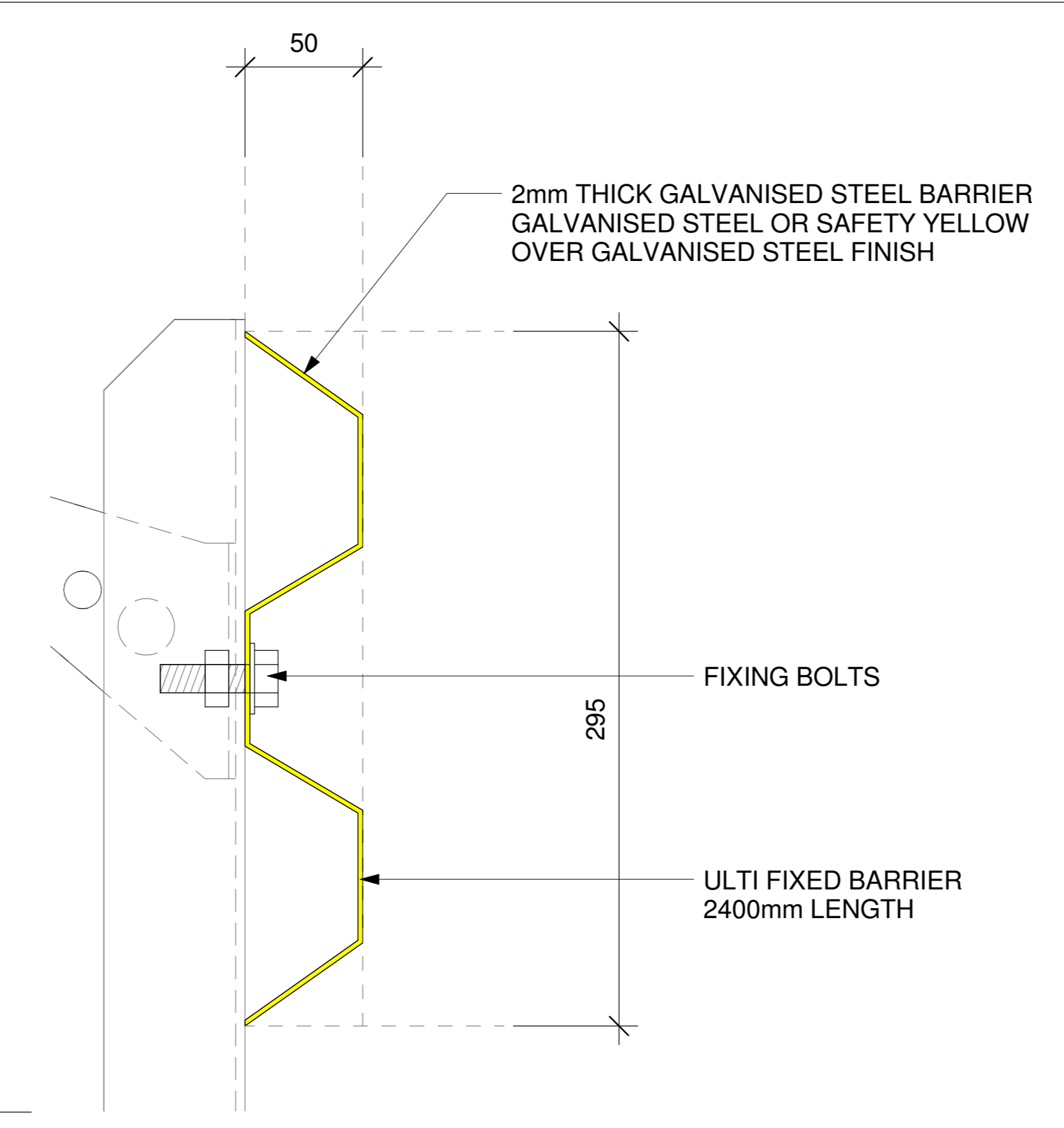
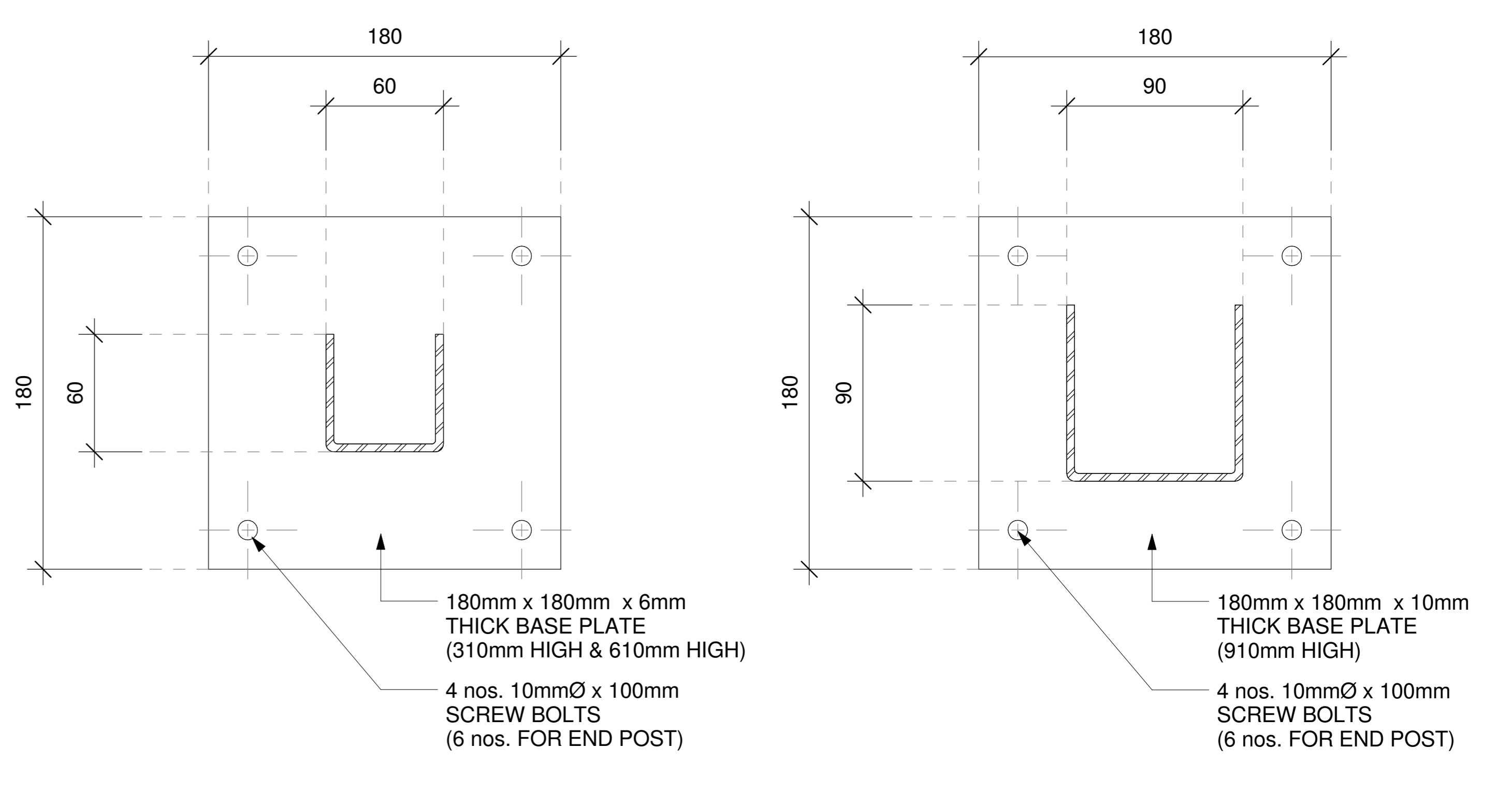


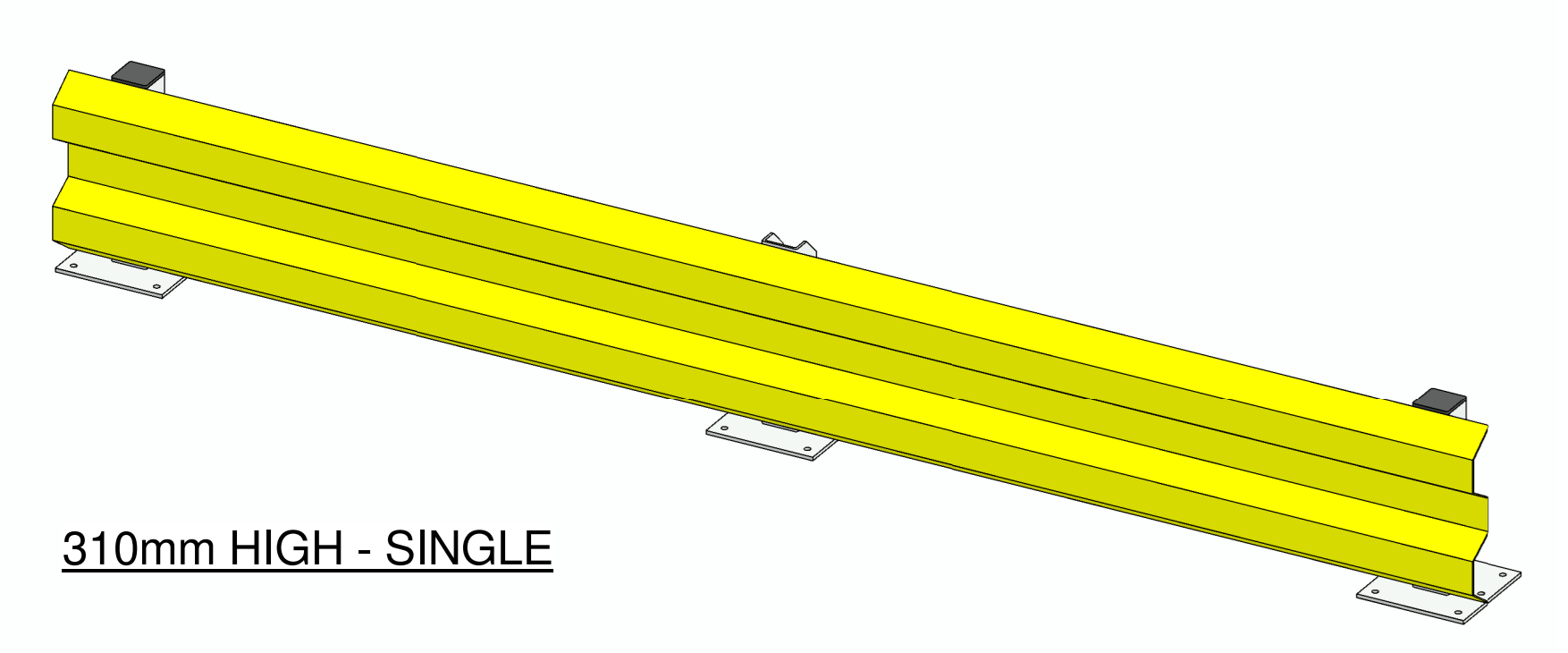
1 SECTION DETAIL VIEW
SCALE: 1:5 MTS.



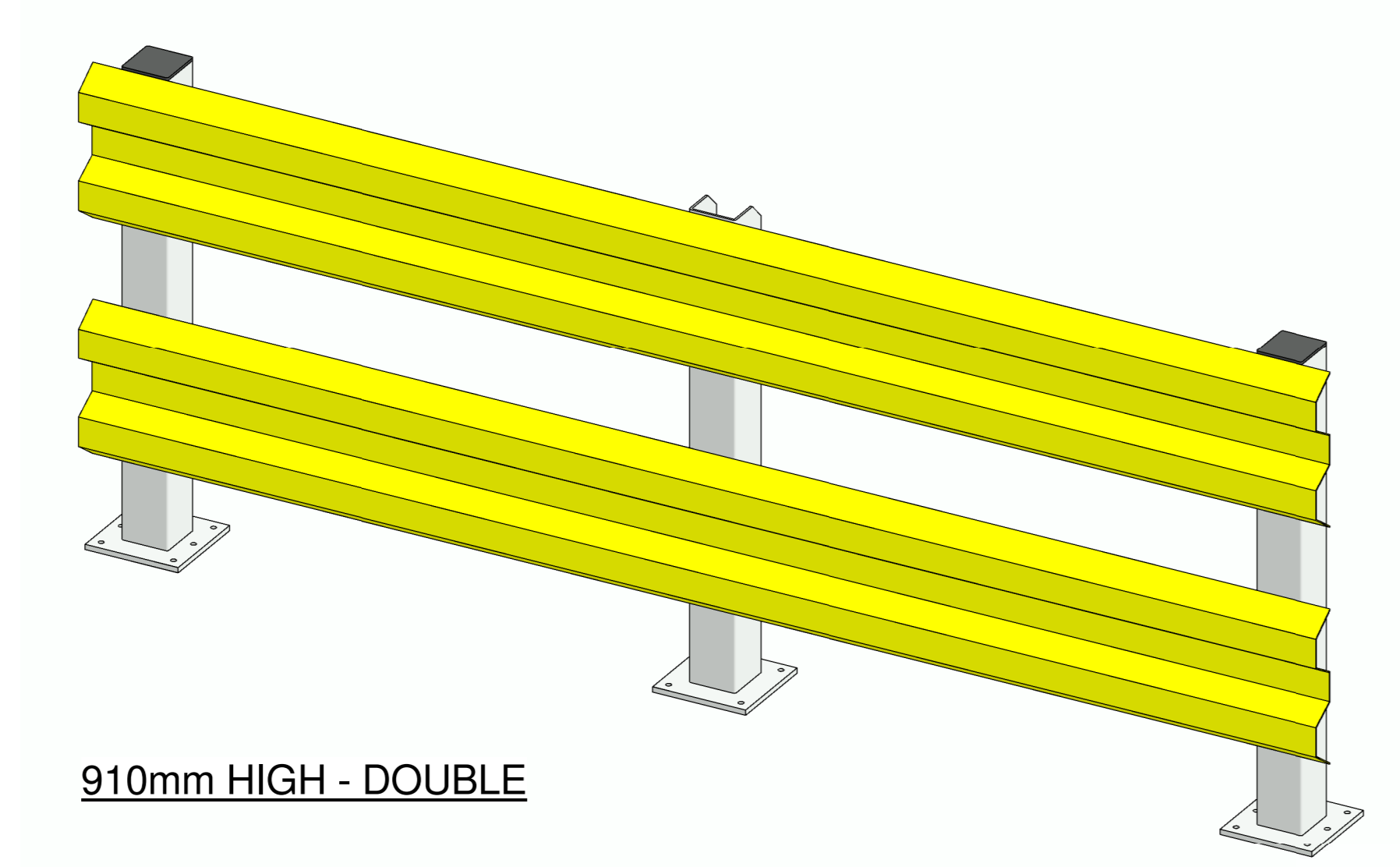
2 BARRIER SECTION DETAIL
SCALE: 1:2 MTS.



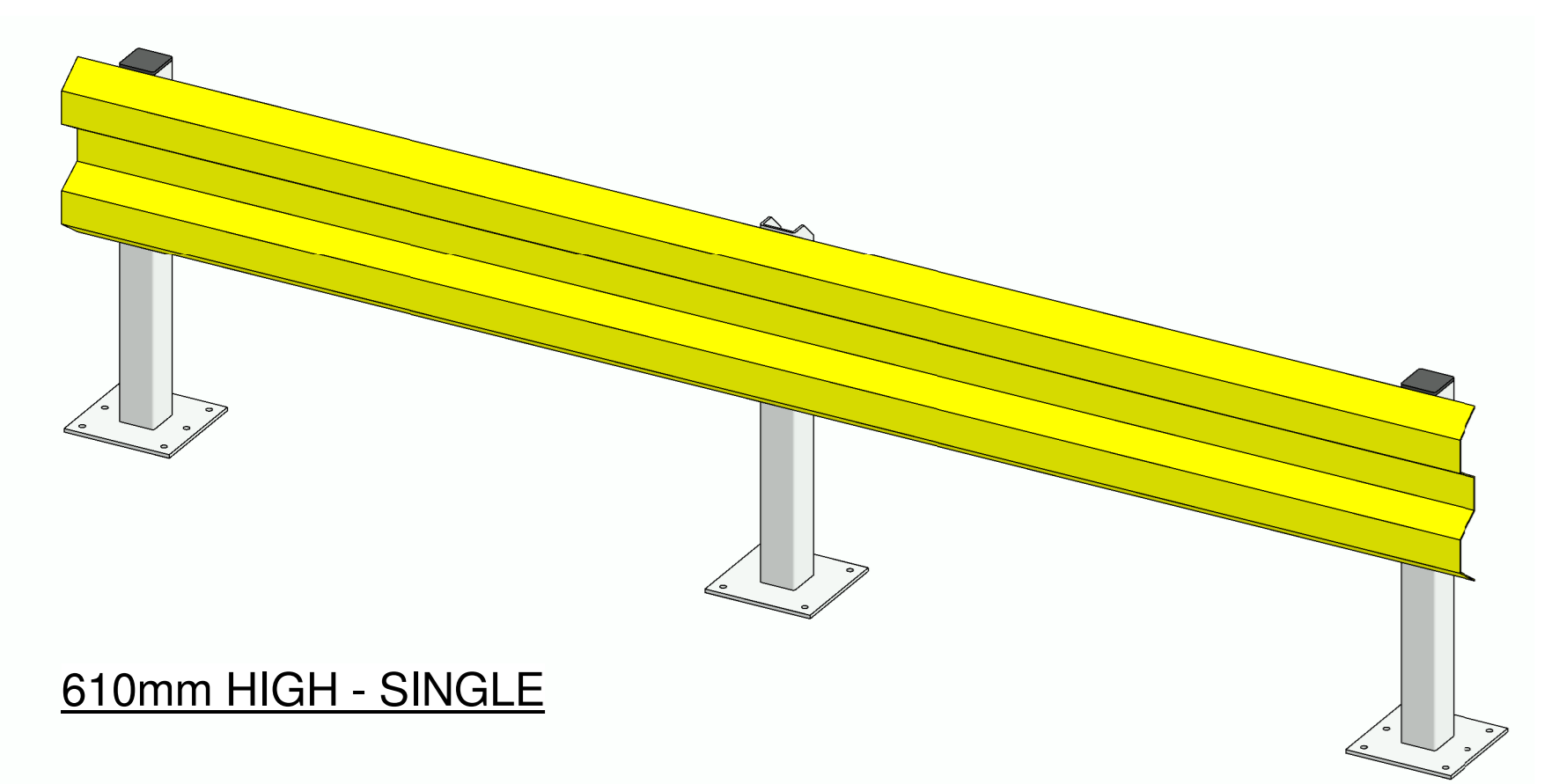
3 BASE PLATE DETAIL
SCALE: 1:2 MTS.



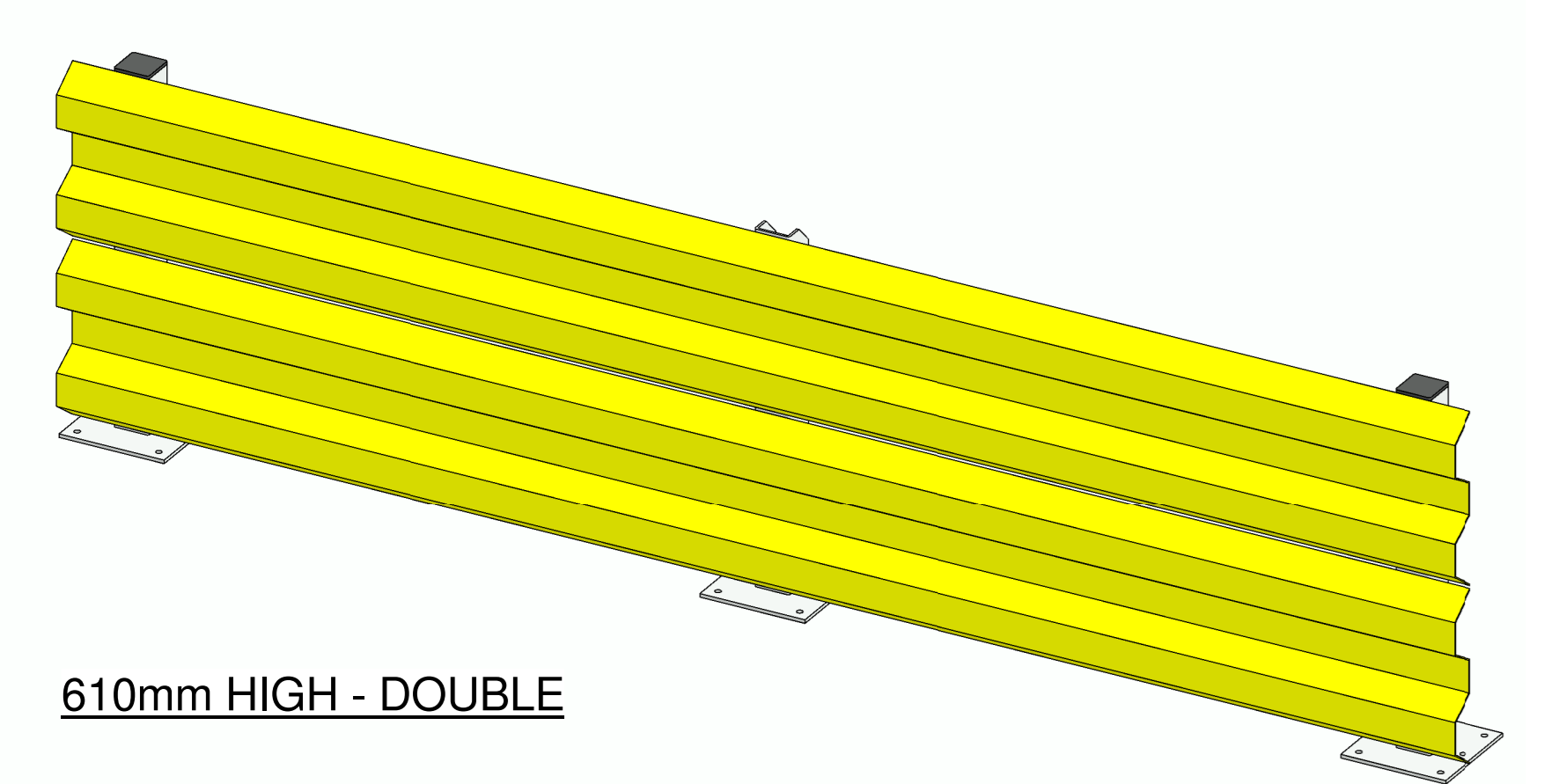
310mm HIGH - SINGLE



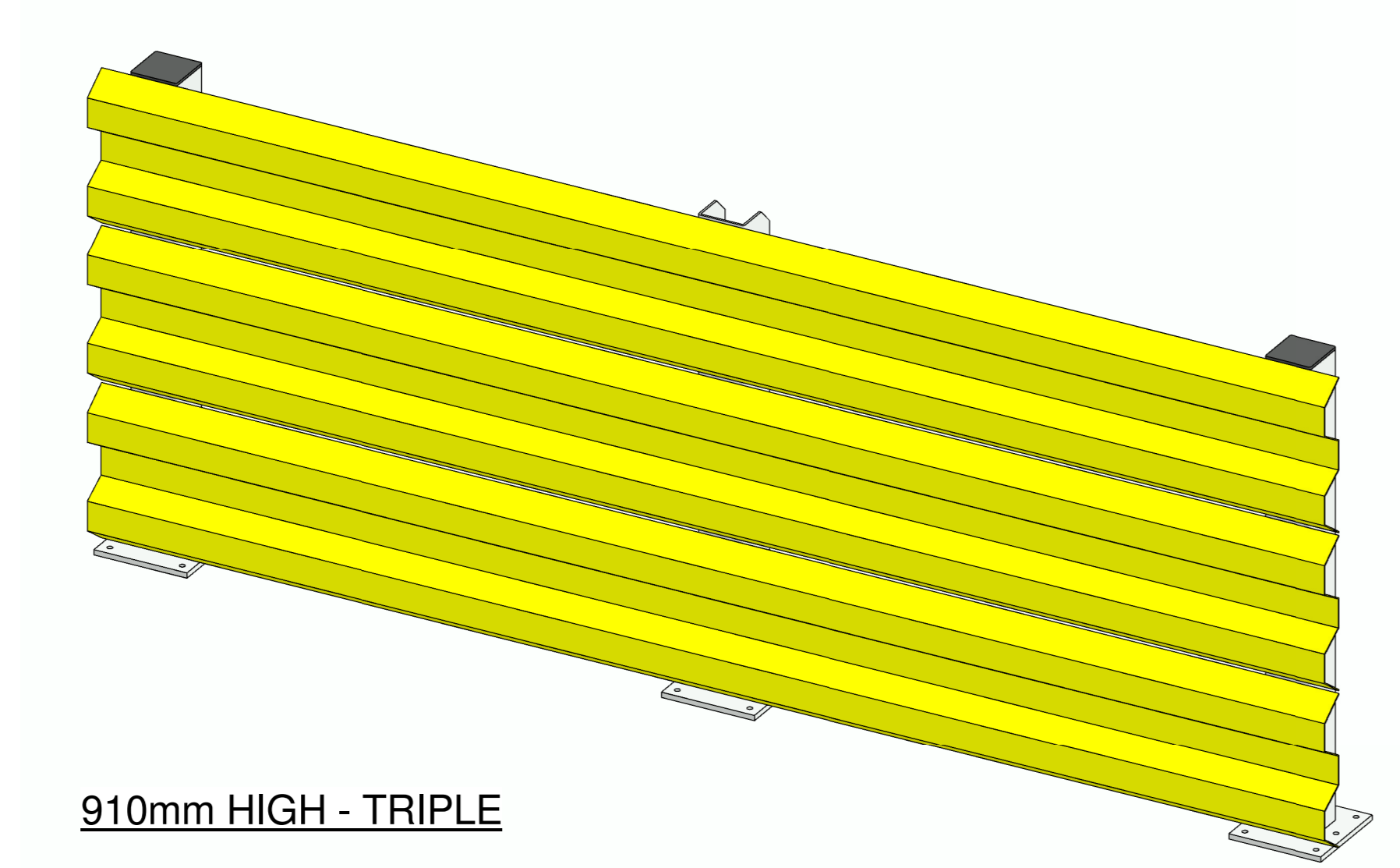
910mm HIGH - DOUBLE



610mm HIGH - SINGLE

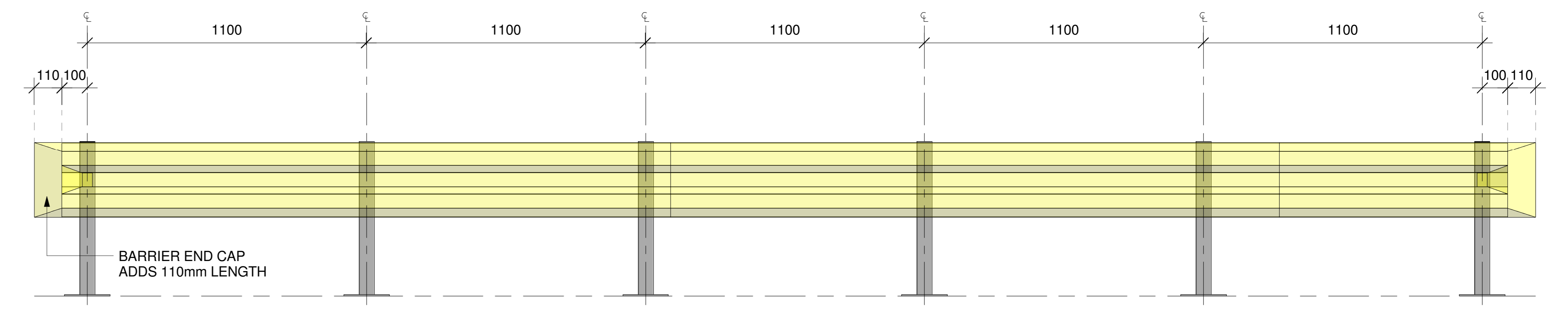


610mm HIGH - DOUBLE

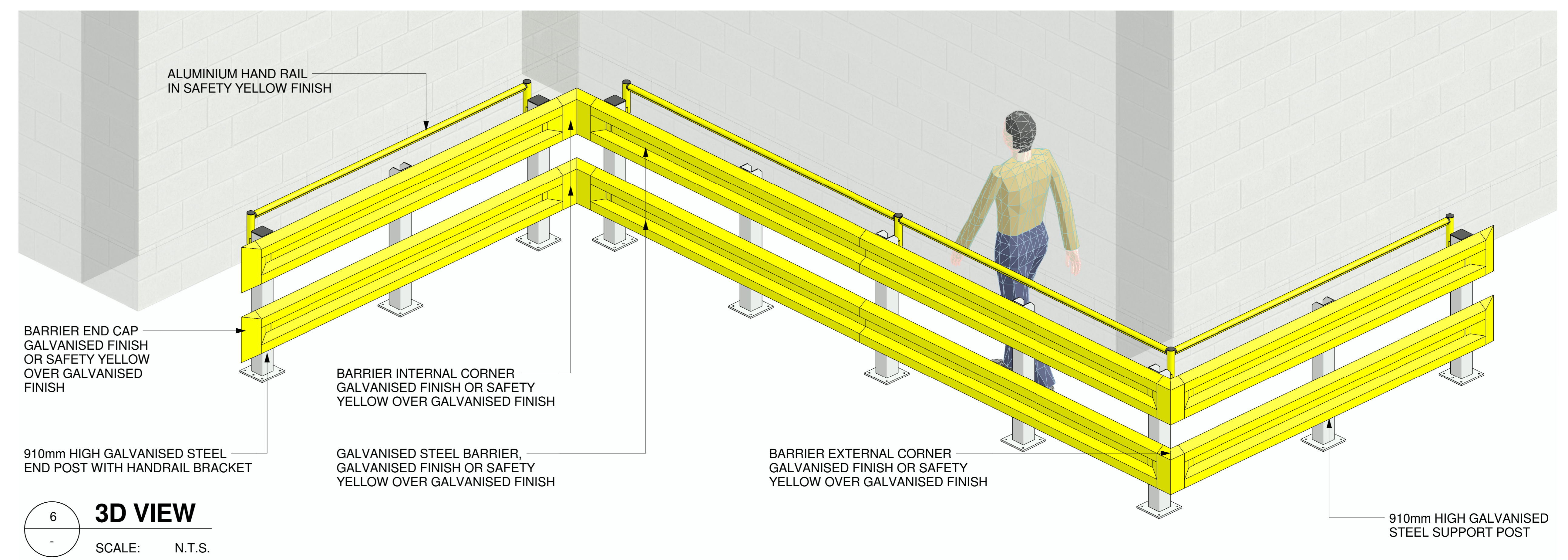


910mm HIGH - TRIPLE

5 3D VIEWS - BARRIER & SUPPORT TYPES
SCALE: N.T.S.



4 BARRIER POST DISTANCE LAYOUT
SCALE: 1:10 MTS.



6 3D VIEW
SCALE: N.T.S.

UltiGroup
SPECIALIST ACCESSWAY SOLUTIONS
www.ultigroup.co.nz
sales@ultigroup.co.nz
Phone: 0800 807 753
68 McLaughlins Road, Wiri, Auckland, 2104

© UltiGroup LTD, 2017

Ulti Fixed Barrier

No.	Description	Date
1	CHECKED BY SP & JP	JULY 6 2017

PLAN VIEW, ELEVATION AND 3D VIEW	
Project Number	-
Date	JULY 04 2017
Drawn By	J.ENRIQUEZ
FIXBARRIER-001	
Scale	As indicated

NOTE:
CONTACT ULTI GROUP FOR ANY CUSTOMISATIONS AND TO DISCUSS PROJECT SPECIFIC INFORMATION