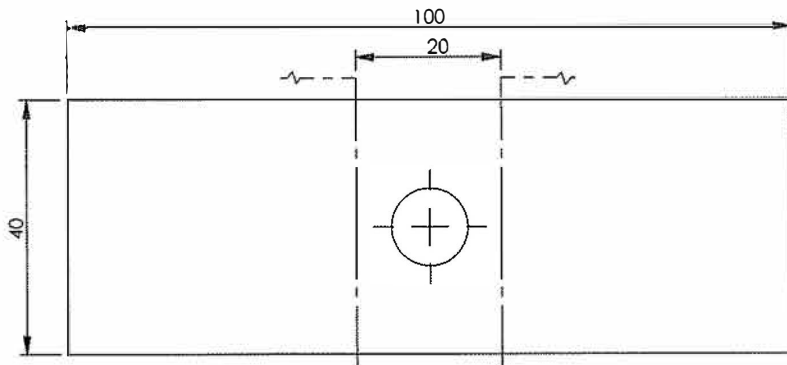
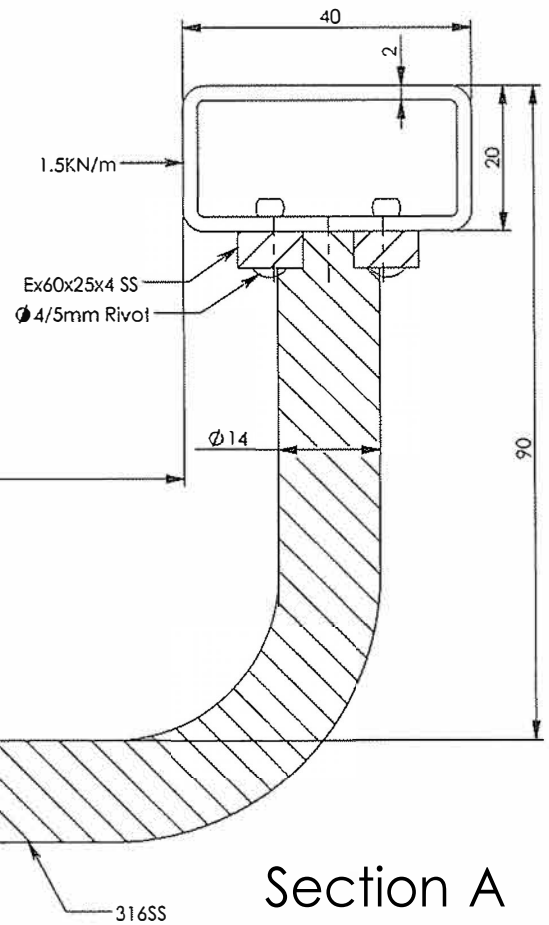


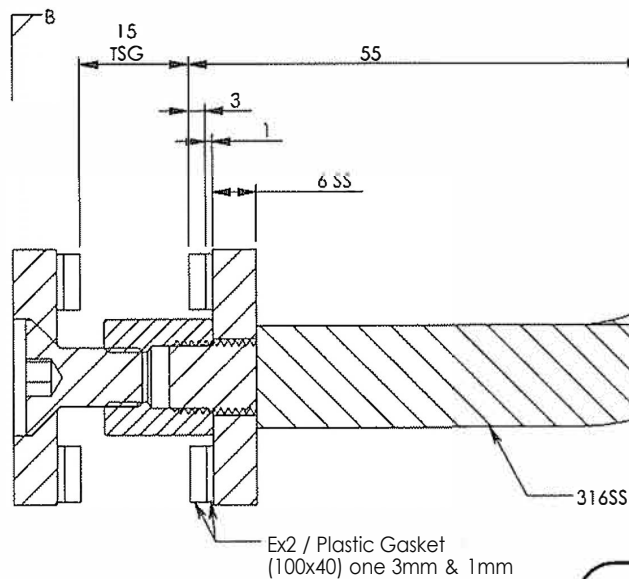
1.5kN/m Imposed Action  
15mm Toughened Safety Glass Balustrade and 40 x 20 x 2 RHS Handrail



Section B



Section A



84 Stanford Park Rd.  
Hillsborough, Auckland  
New Zealand  
Phone 0064 09 6254823  
0064 09 6255085  
Fax 0064 09 6254825  
0064 09 6255085  
Mob 021 795 004

Refer to sheet 4 Vice  
Clamps for moment  
capacities

Date	September 2017
Designed	E Lopish
Drawn	S Brockett
Checked	
Scale	1:10/1:30
Size	A4

<b>Lapish Enterprises Ltd</b>	
Project Glass Vice Balustrades & Handrail to NZBC 81/VMI Clause 2.2.7 AS/NZS 1170 Part 1 Clause 3.6	
Plan Number 3757	
Sheet 1	Revision A