

Applications

Brio's new Open Round Rail Glass is an ideal internal system for residential and commercial applications of toughened glass panels with exposed hangers and rail.

Open Round Rail Timber 100 hangers are 304 stainless steel with precision bearings.

Panel Specification

Track System:	Open Round Rail Timber 100
For Individual Panels:	
Max Panel Height	3000mm
Max Panel Width	2000mm
Max Panel Weight	100kg
Panel Thickness	8-12mm

Standard Packs

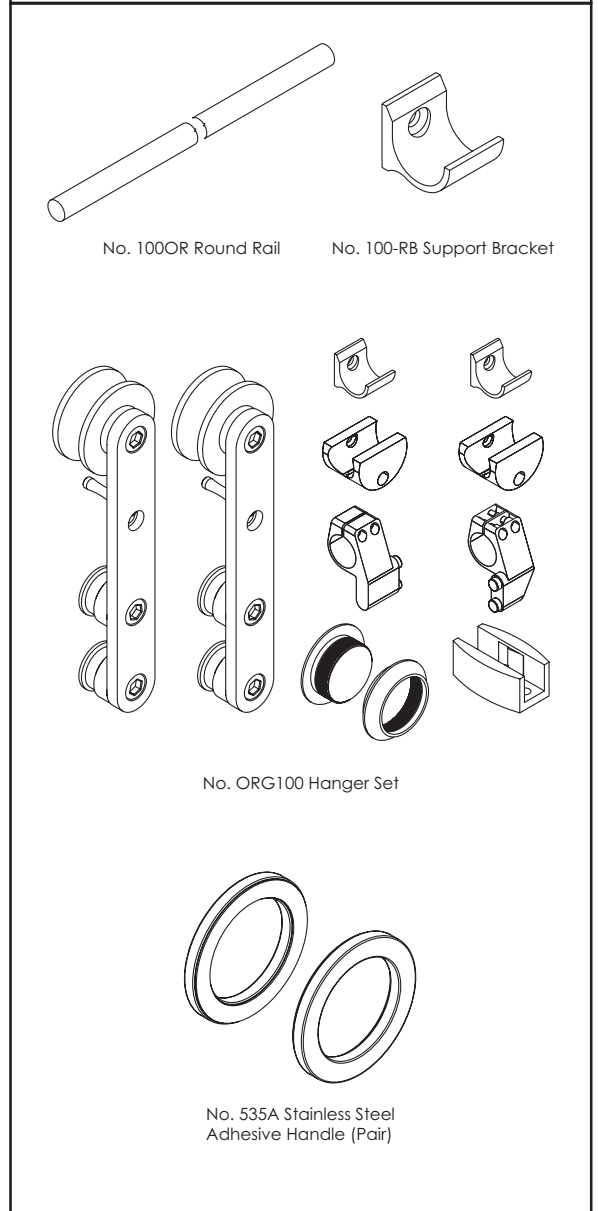
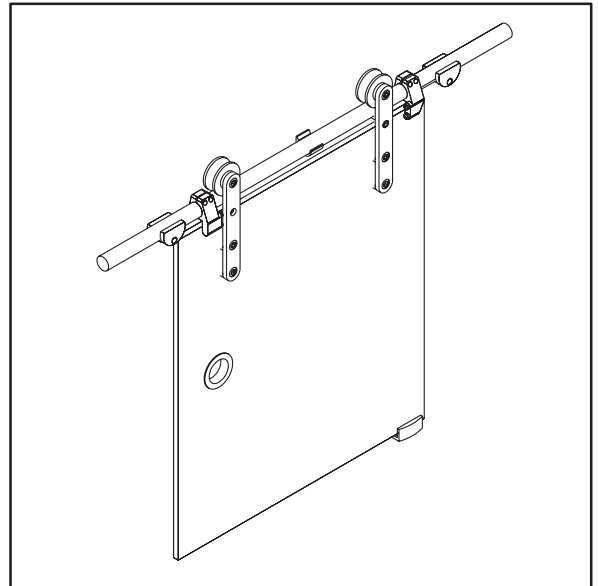
Packs includes 2 hangers, doorstops, guide, handle, brackets and fixings.

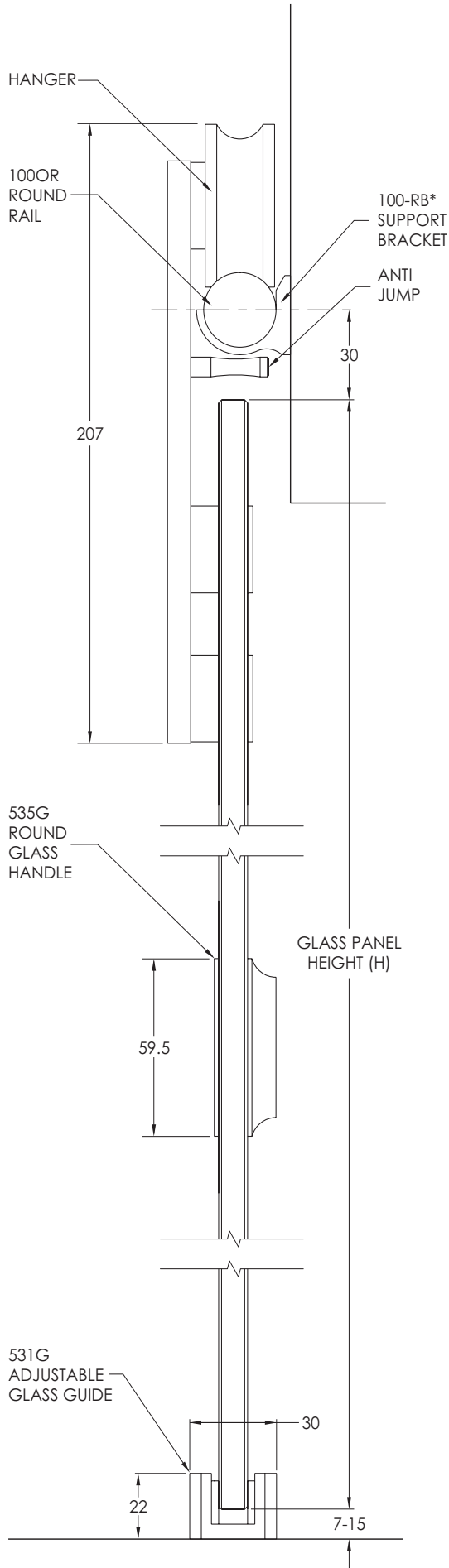
Pack No.	Max Panel Width
ORG100	2000mm

Hardware Specification

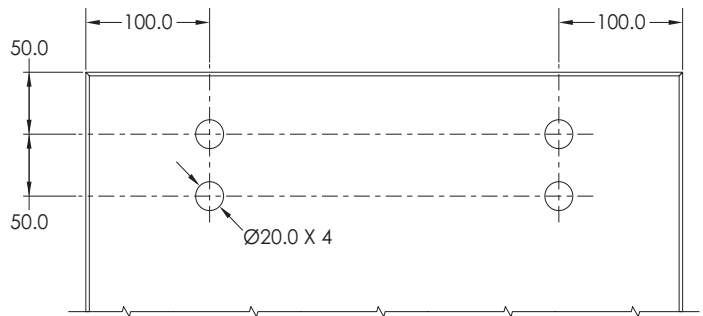
Track:	100OR
Material	Stainless Steel
Standard lengths	2000mm, 2500mm, 3000mm and 4000mm

Support Bracket:	
Support bracket	100-RB

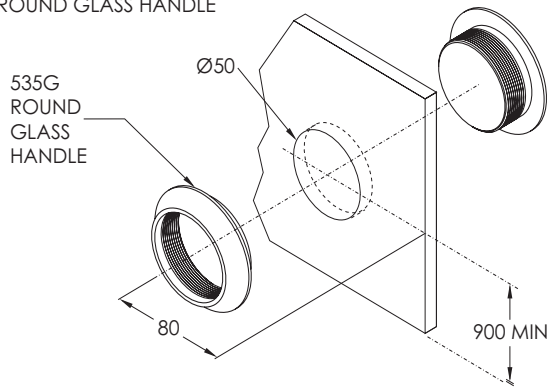




GLASS PREPARATION

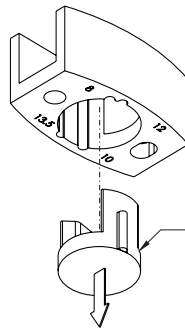


ROUND GLASS HANDLE

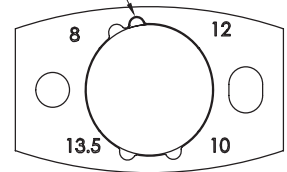


ADJUSTABLE GLASS GUIDE

CAN BE ADJUSTED TO SUIT 8, 10, 12MM THICK GLASS*



LINE UP PIP TO GLASS THICKNESS REQUIRED THEN INSERT



* 13.5MM UNAVAILABLE FOR THIS SYSTEM

GLASS PANEL SIZES

PANEL THICKNESS	MAX AREA	MAX HEIGHT	MAX WIDTH *
8mm (20kg/m ²)	5m ²	3m	1.7m
10mm (25kg/m ²)	4m ²	3m	1.3m
12mm (30kg/m ²)	3.3m ²	3m	1.1m

*MAX WIDTH INCREASES AS HEIGHT DECREASES

RAIL LENGTH	*ADDITIONAL 100-RB REQUIRED
2500mm	1
3000mm	2
4000mm	4