

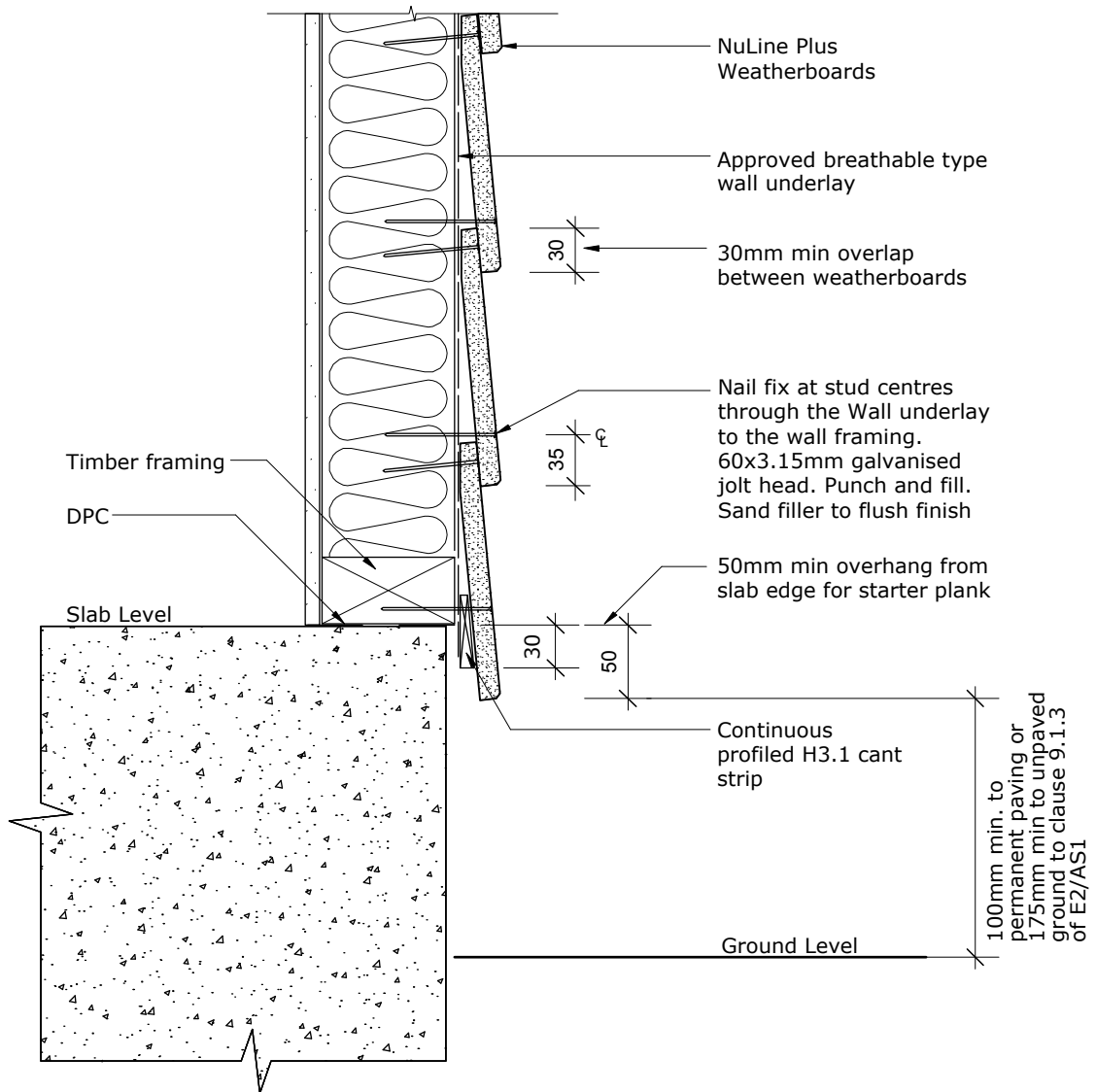
PROFILE NuLine™ Plus Weatherboards

DATE Sep 2012

DETAIL Foundation Detail
Cavity Construction

SCALE 1:5 @ A4

DETAIL NO. NU-01



PROFILE NuLine™ Plus Weatherboards

DETAIL Foundation Detail

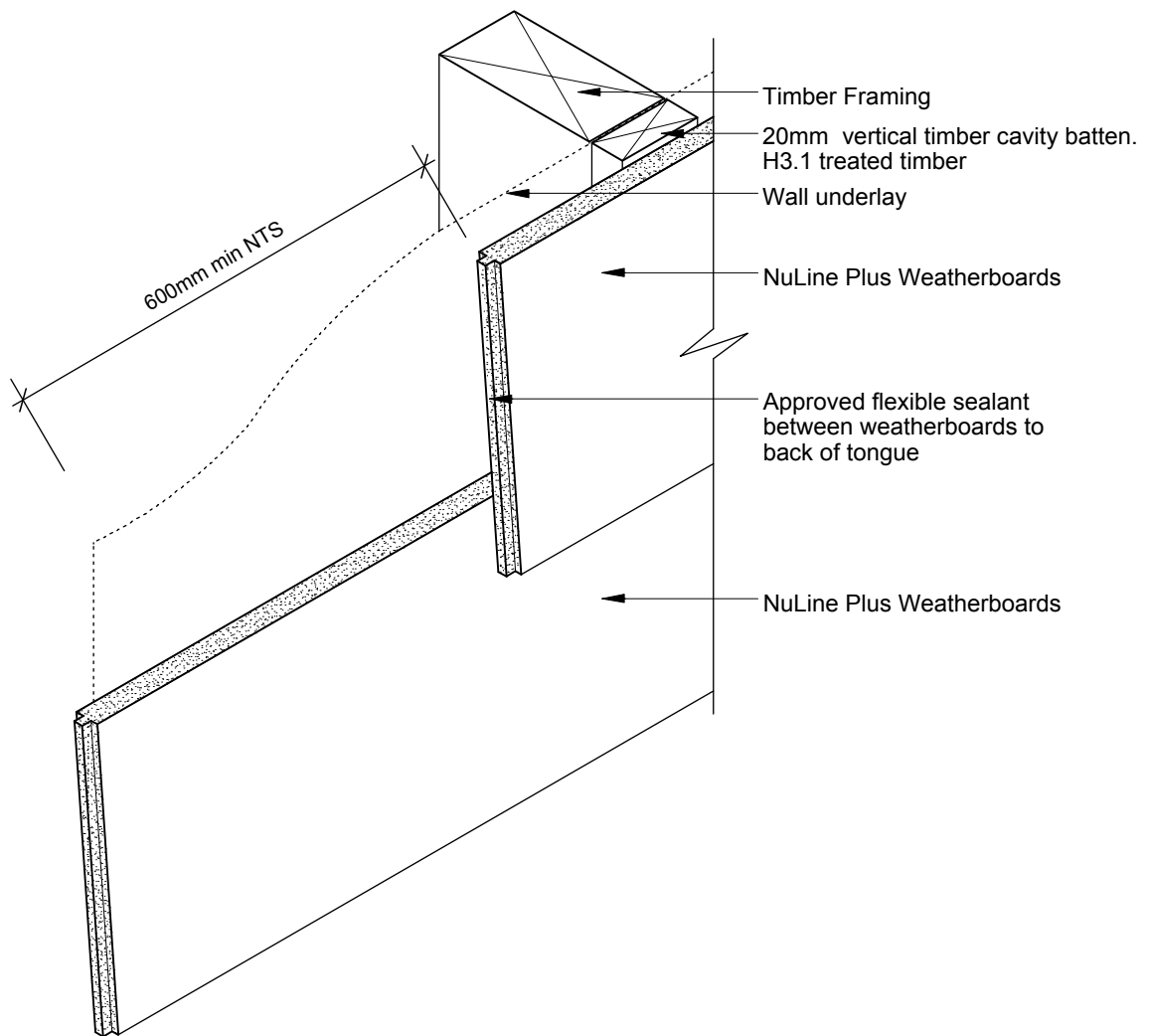
DATE Sep 2012

SCALE 1:5 @ A4

DETAIL NO. NU-01 D

BGC

Fibre Cement



PROFILE NuLine™ Plus Weatherboards

DATE Sep 2012

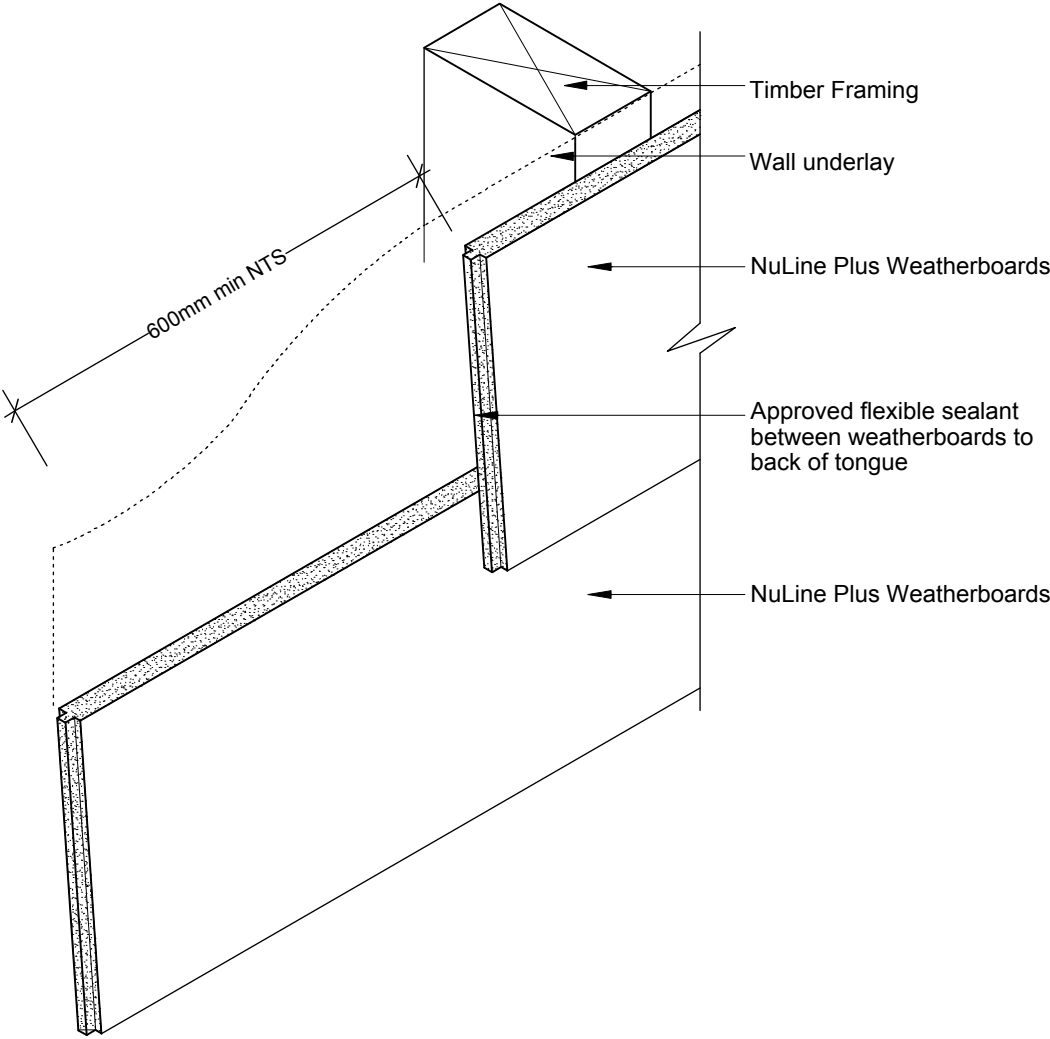
DETAIL Plank Joint
Cavity Construction

SCALE 1:5 @ A4

DETAIL NO. NU-02



Fibre Cement



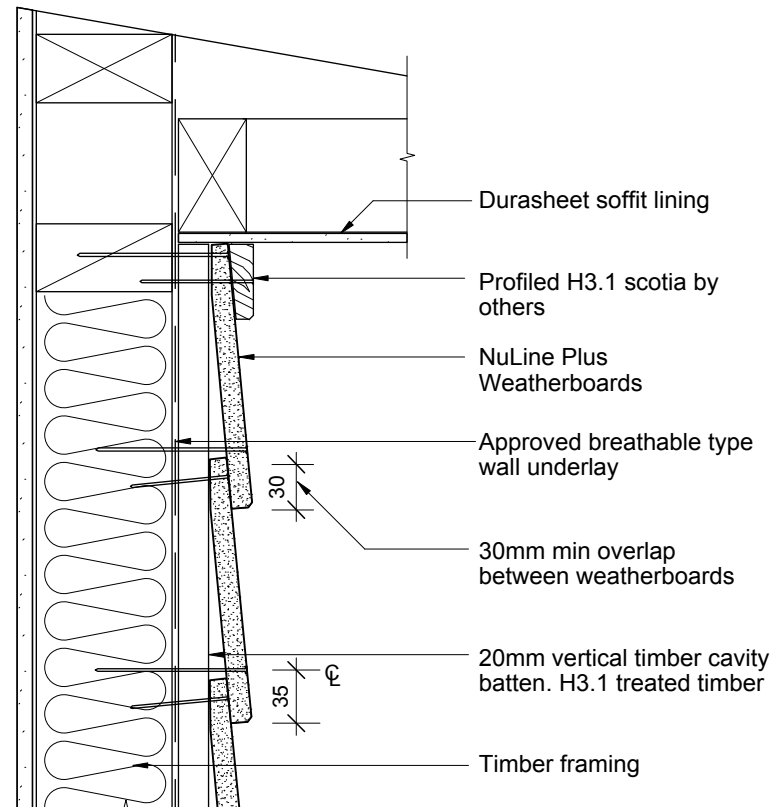
PROFILE NuLine™ Plus Weatherboards

DATE Sep 2012

DETAIL Plank Joint
Direct fixed

SCALE 1:5 @ A4

DETAIL NO. NU-02 D

BGC**Fibre Cement**

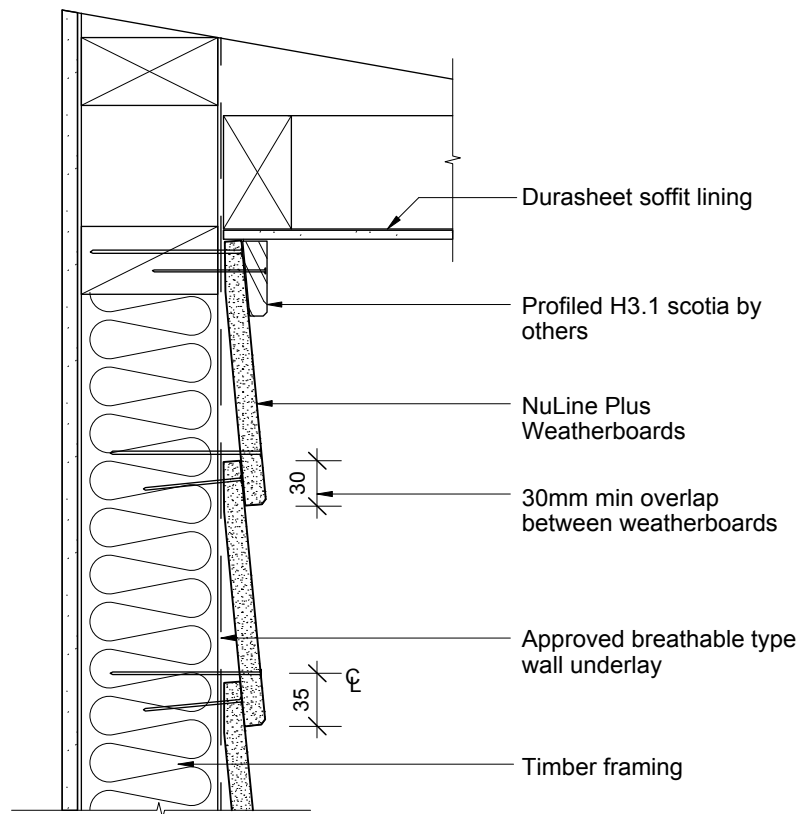
PROFILE NuLine™ Plus Weatherboards

DATE Sep 2012

DETAIL Soffit Detail
Cavity Construction

SCALE 1:5 @ A4

DETAIL NO. NU-03

BGC**Fibre Cement**

PROFILE NuLine™ Plus Weatherboards

DATE Sep 2012

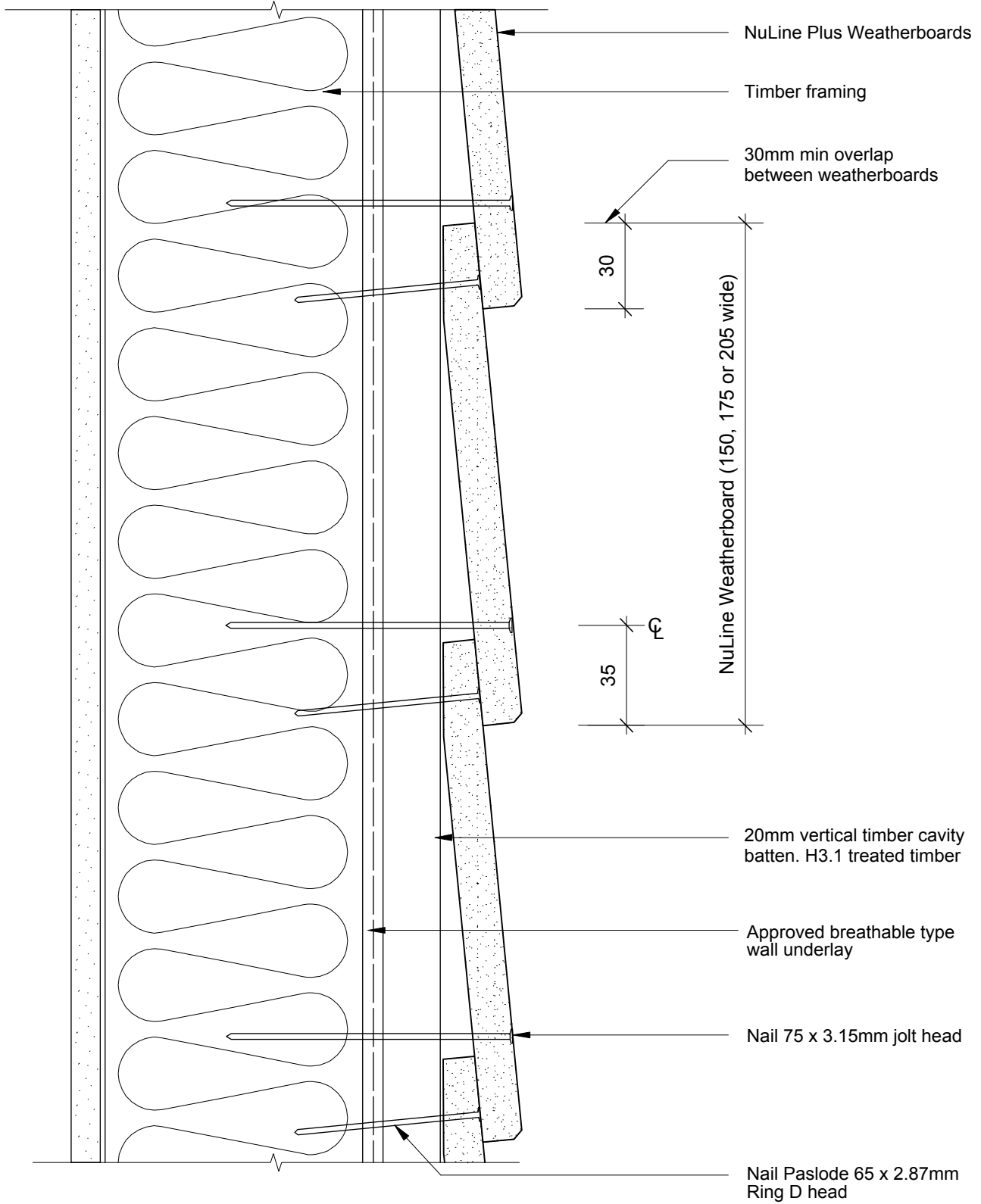
DETAIL Soffit Detail
Direct Fixed

SCALE 1:5 @ A4

DETAIL NO. NU-03 D

BGC

Fibre Cement



PROFILE NuLine™ Plus Weatherboards

DATE Sep 2012

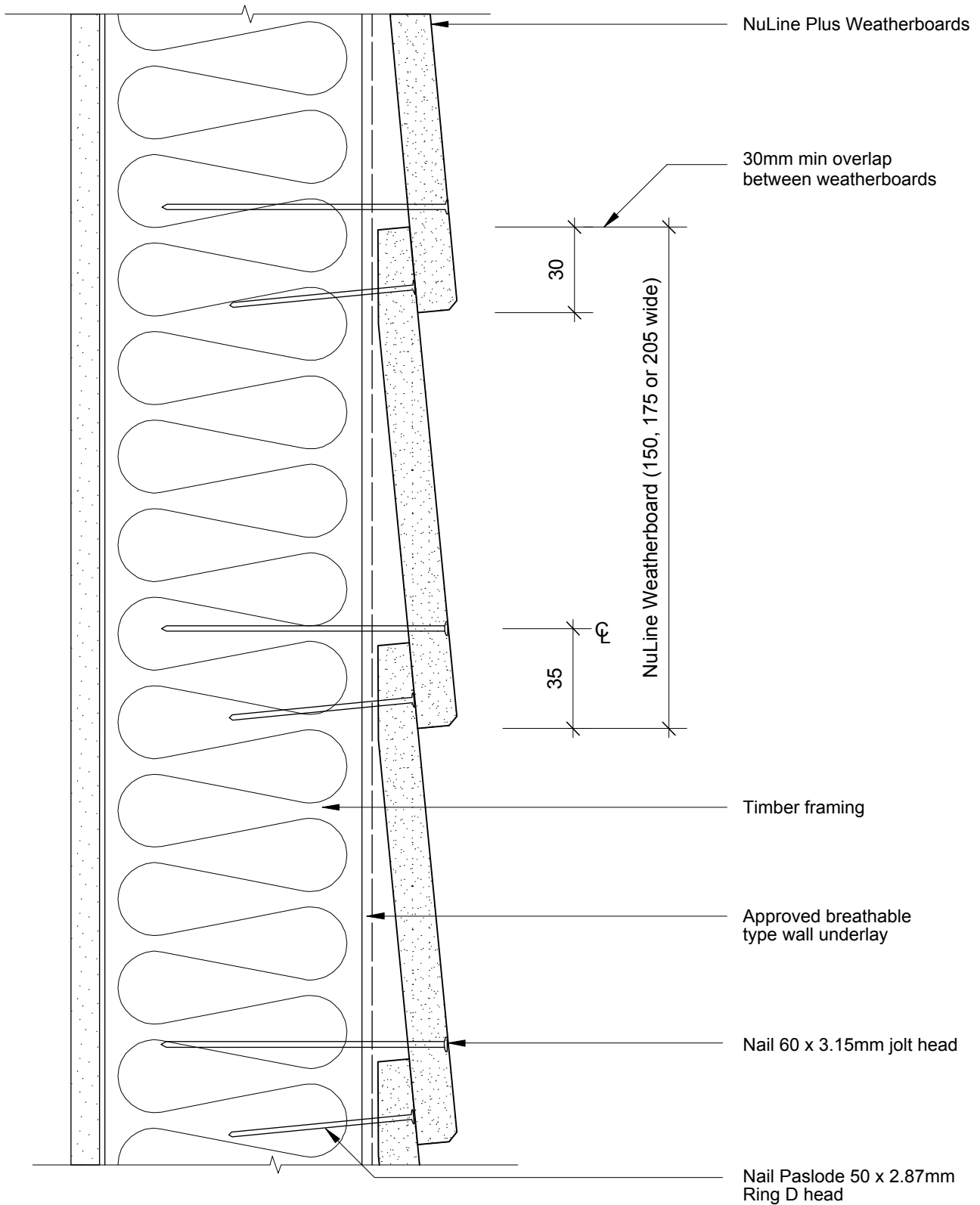
DETAIL Exposed Nail Fix
Cavity Construction

SCALE 1:2 @ A4

DETAIL NO. NU-04

BGC

Fibre Cement



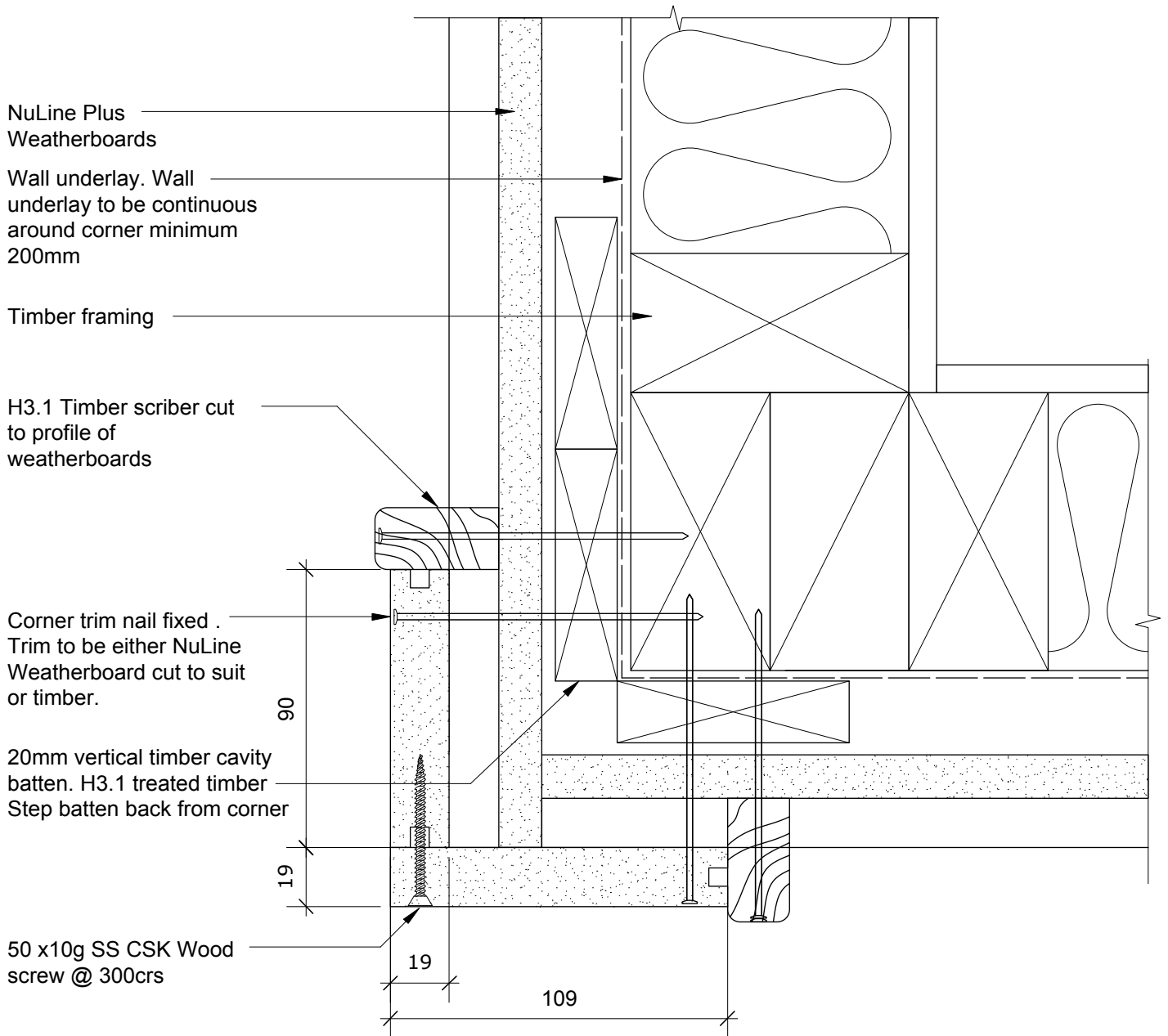
PROFILE NuLine™ Plus Weatherboards

DATE Sep 2012

DETAIL Exposed Nail Fix
Direct Fixed

SCALE 1:2 @ A4

DETAIL NO. NU-04 D

BGC**Fibre Cement**

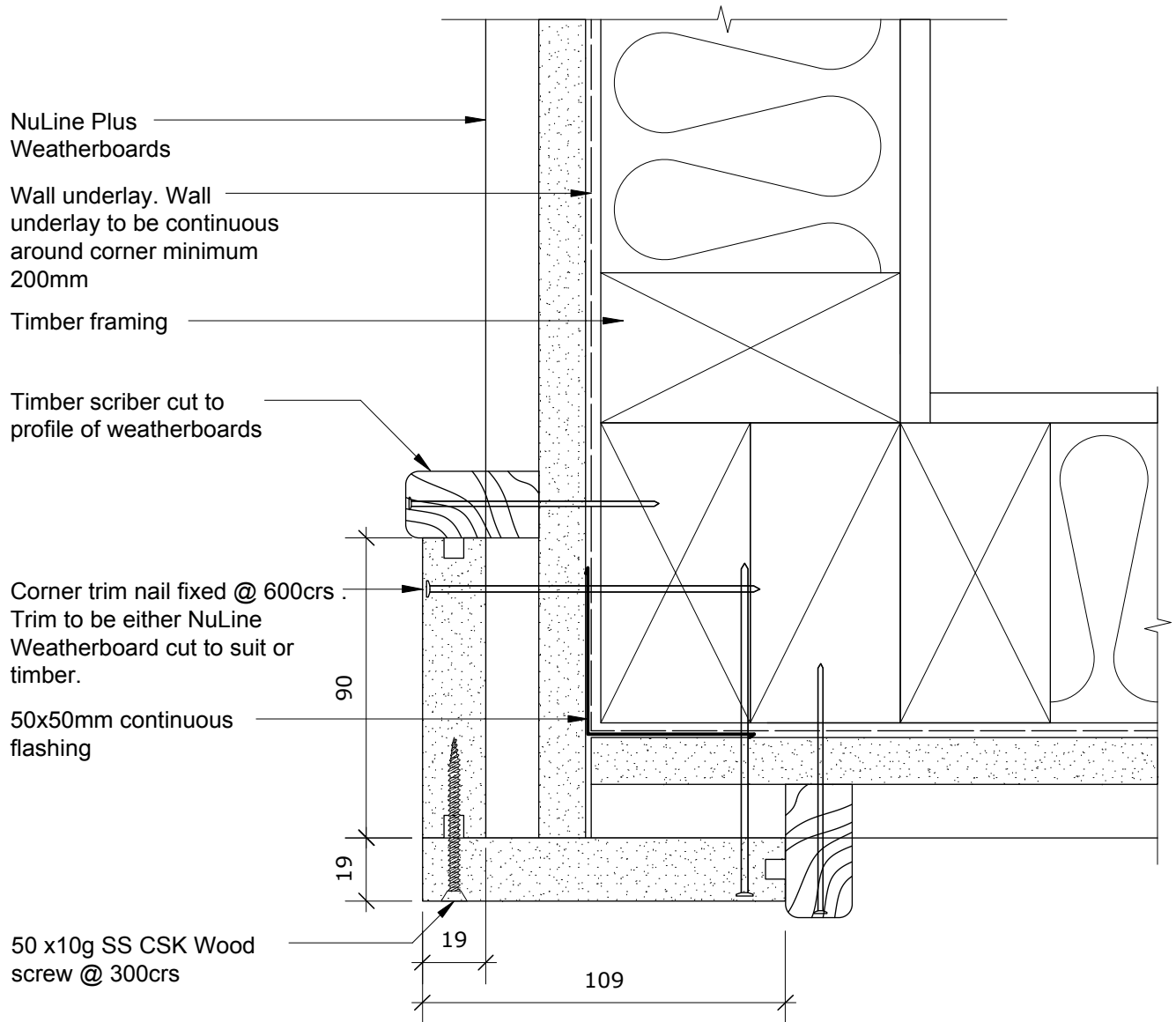
PROFILE NuLine™ Plus Weatherboards

DATE Sep 2012

DETAIL External Boxed Corner
Cavity Construction

SCALE 1:2 @ A4

DETAIL NO. NU-05

BGC**Fibre Cement**

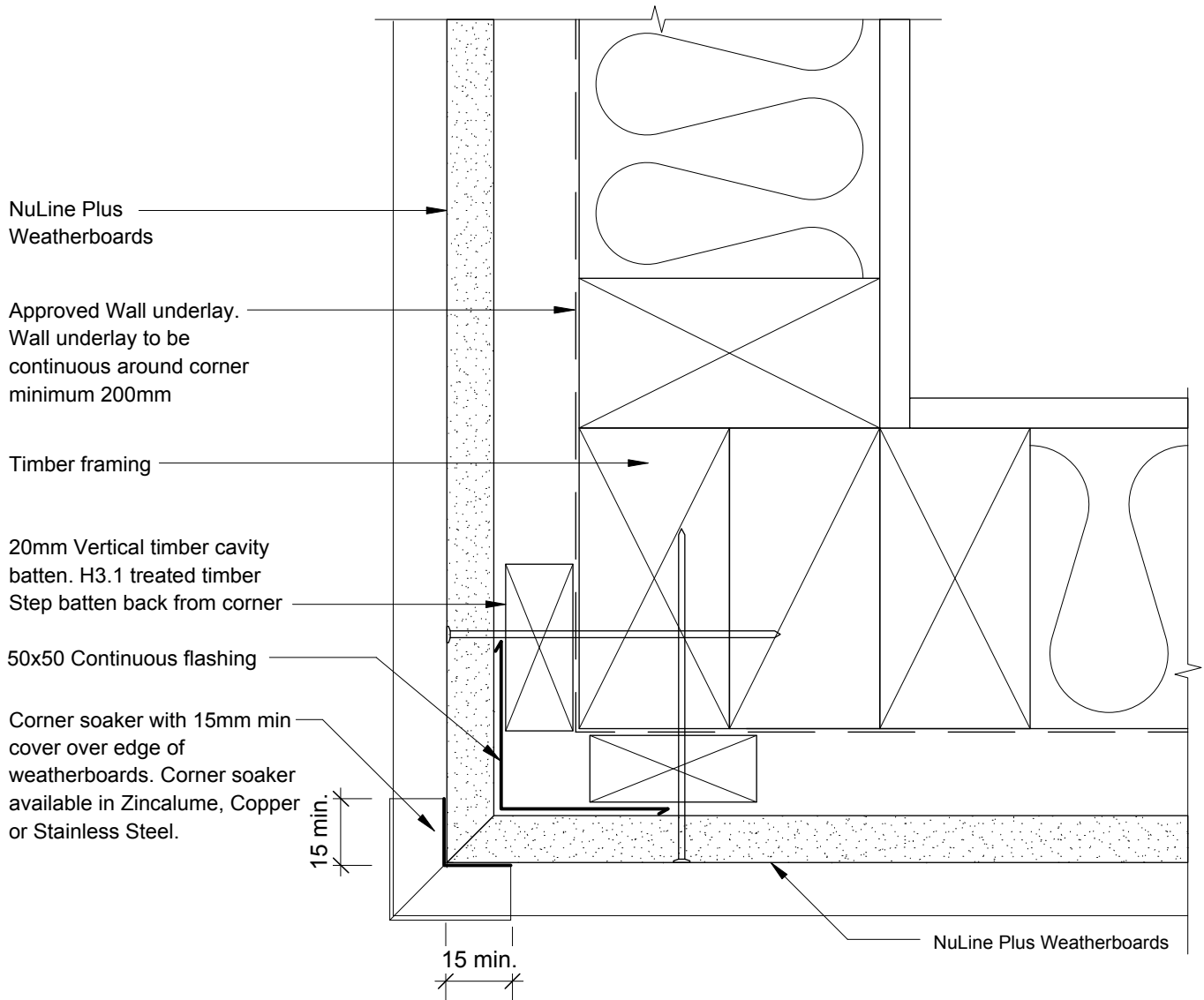
PROFILE NuLine™ Plus Weatherboards

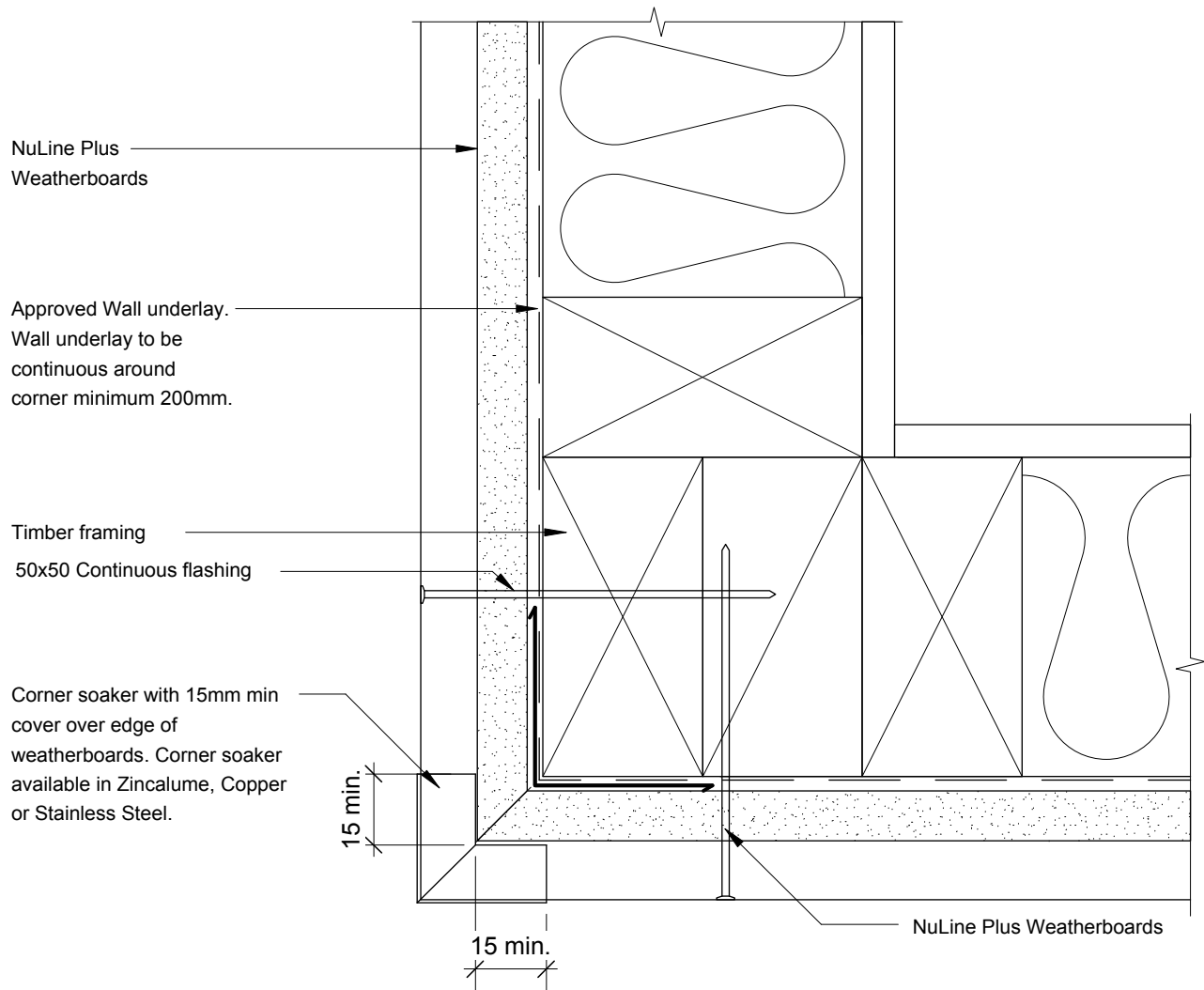
DATE Sep 2012

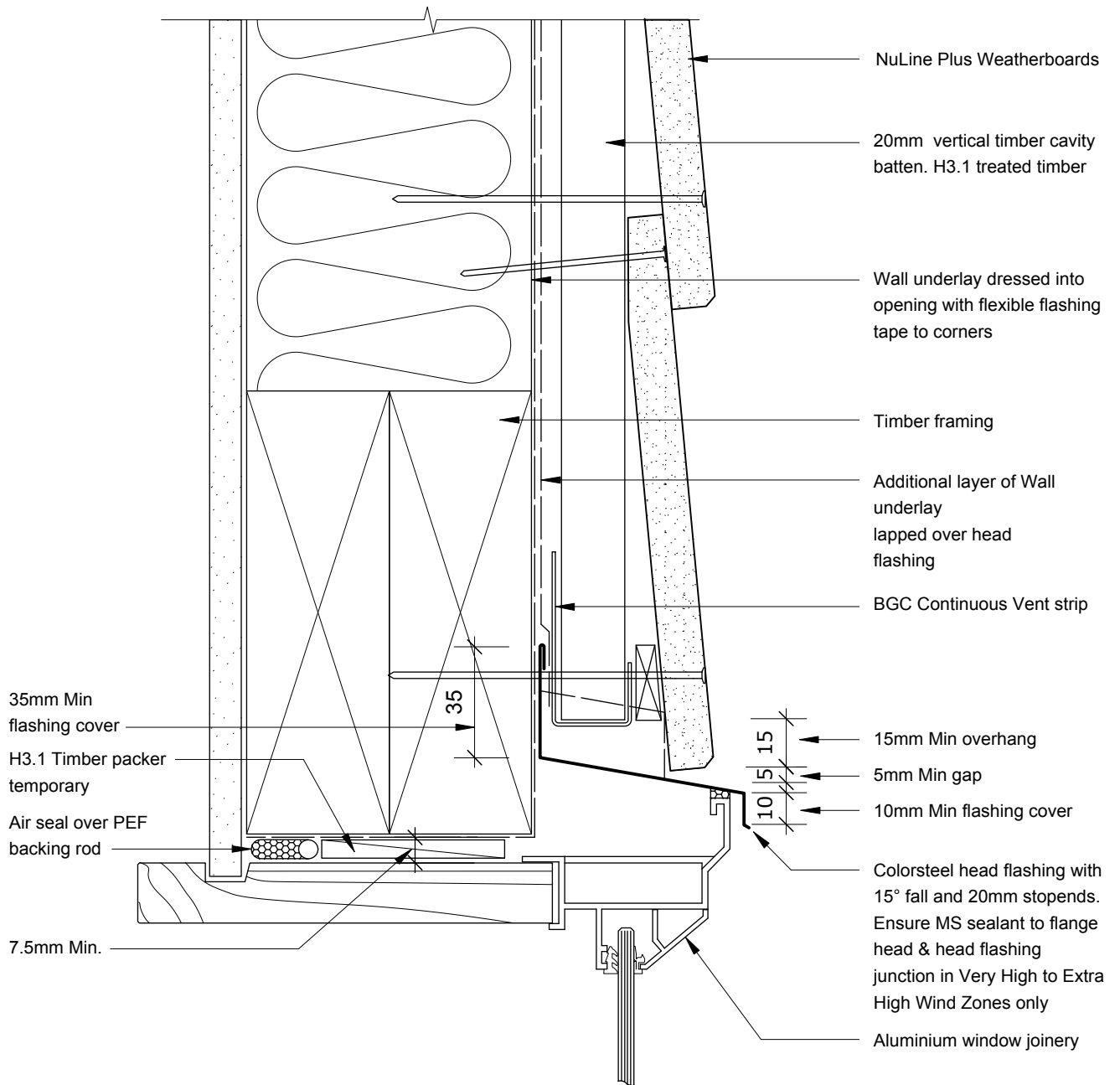
DETAIL External Boxed Corner
Direct Fixed

SCALE 1:2 @ A4

DETAIL NO. NU-05 D

BGC**Fibre Cement**PROFILE **NuLine™ Plus Weatherboards**DATE **Sep 2012**DETAIL **External Soaker Corner
Cavity Construction**SCALE **1:2 @ A4**DETAIL NO. **NU-06**

BGC**Fibre Cement**PROFILE **NuLine™ Plus Weatherboards**DATE **Sep 2012**DETAIL **External Soaker Corner
Direct Fixed**SCALE **1:2 @ A4**DETAIL NO. **NU-06 D**

BGC**Fibre Cement**

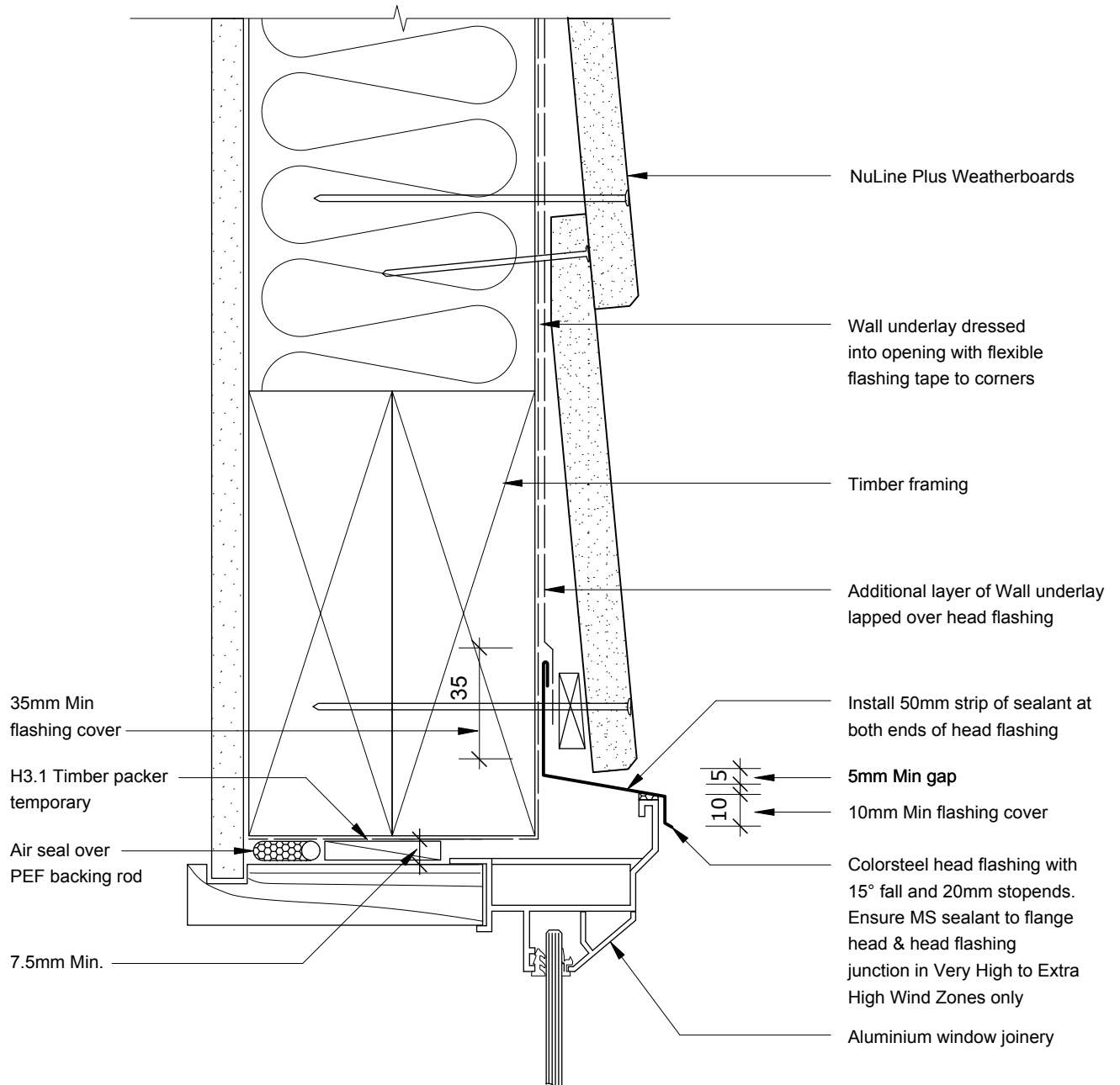
PROFILE NuLine™ Plus Weatherboards

DATE Sep 2012

DETAIL Window Head
Cavity Construction

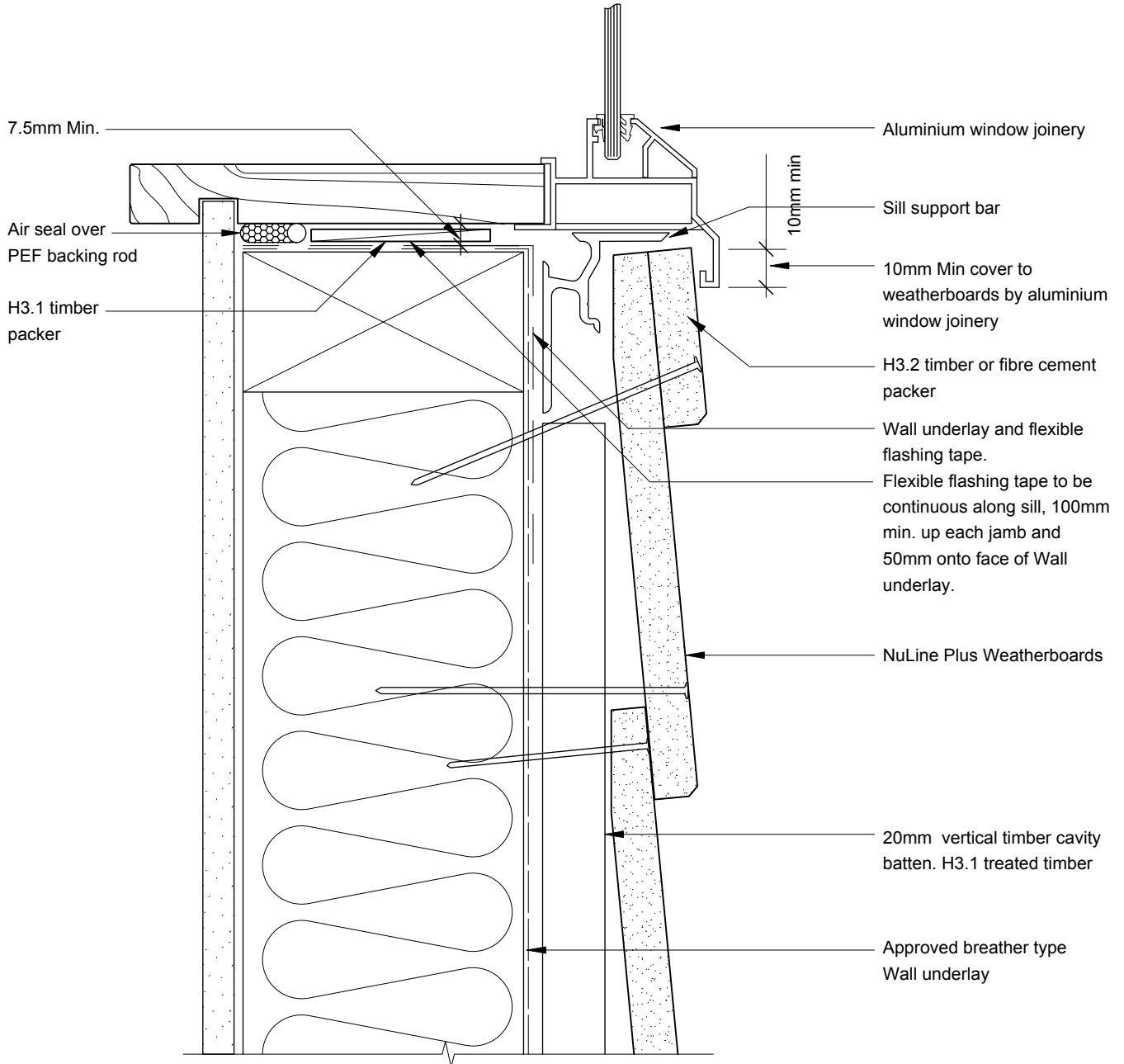
SCALE 1:2 @ A4

DETAIL NO. NU-07

BGC**Fibre Cement**PROFILE **NuLine™ Plus Weatherboards**DATE **Sep 2012**DETAIL **Window Head
Direct Fixed**SCALE **1:2 @ A4**DETAIL NO. **NU-07 D**

BGC

Fibre Cement



PROFILE NuLine™ Plus Weatherboards

DATE Sep 2012

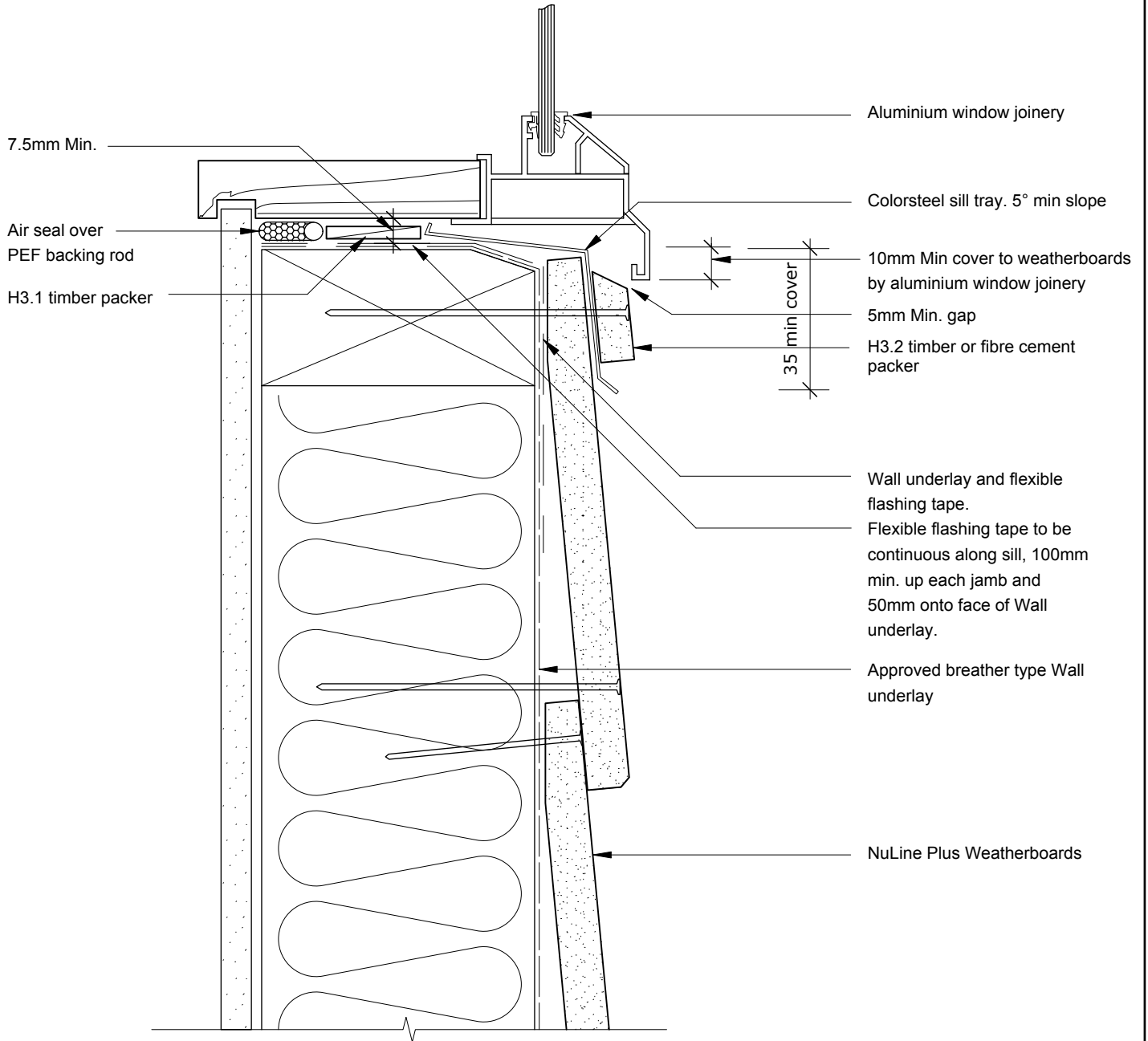
DETAIL Window Sill
Cavity Construction

SCALE 1:2 @ A4

DETAIL NO. NU-08

BGC

Fibre Cement



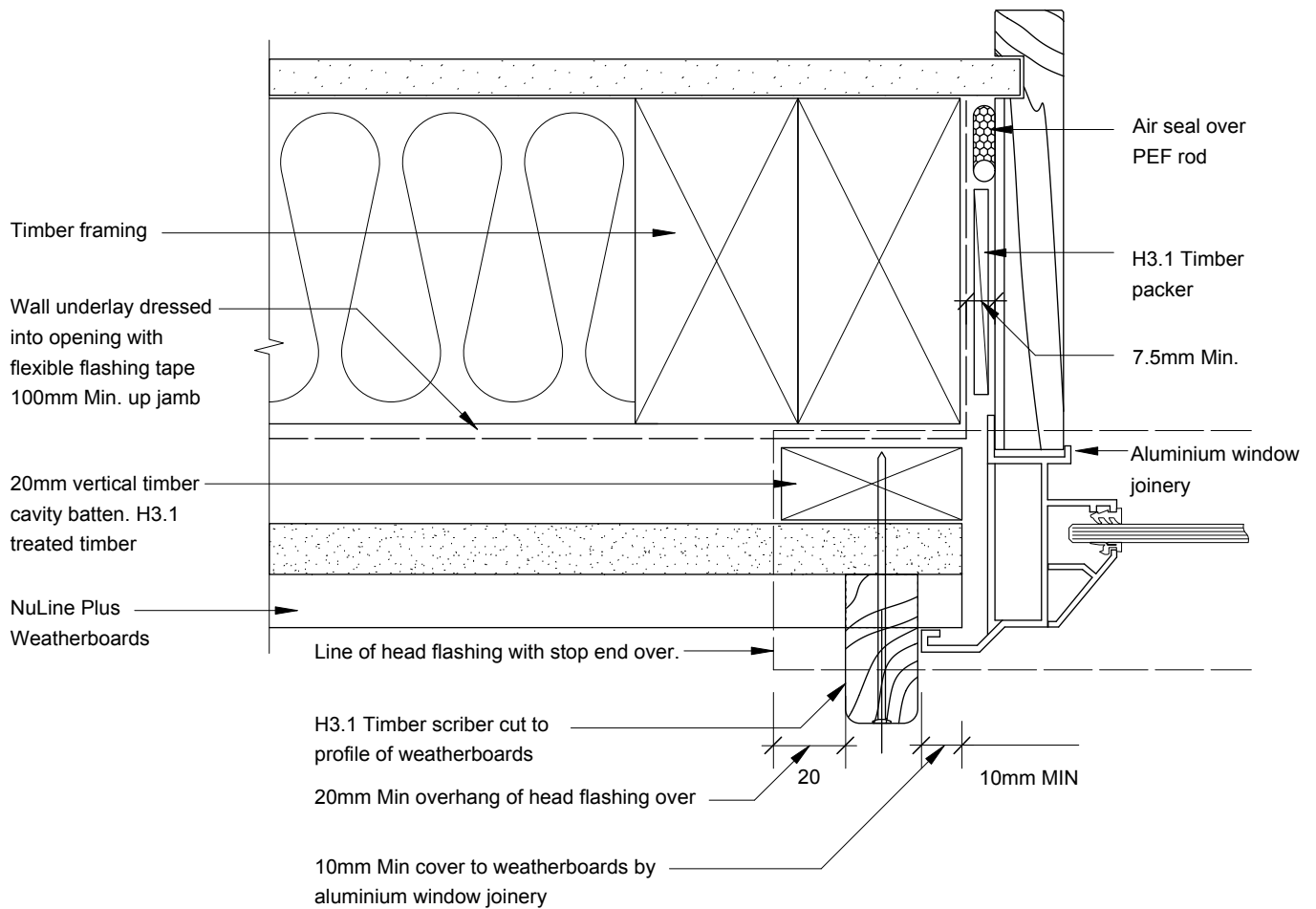
PROFILE NuLine™ Plus Weatherboards

DATE Sep 2012

DETAIL Window Sill
Direct Fixed

SCALE 1:2 @ A4

DETAIL NO. NU-08 D



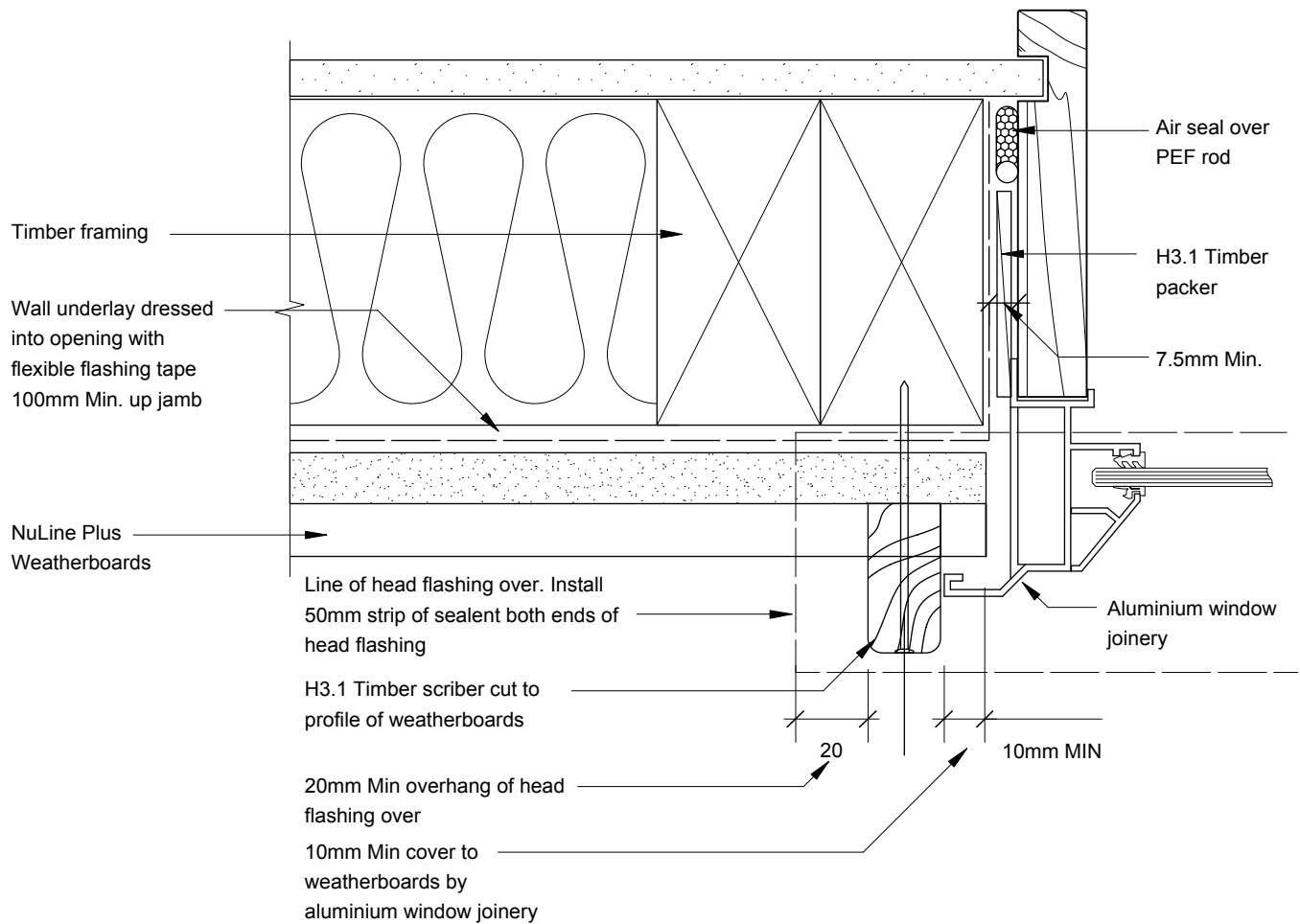
PROFILE NuLine™ Plus Weatherboards

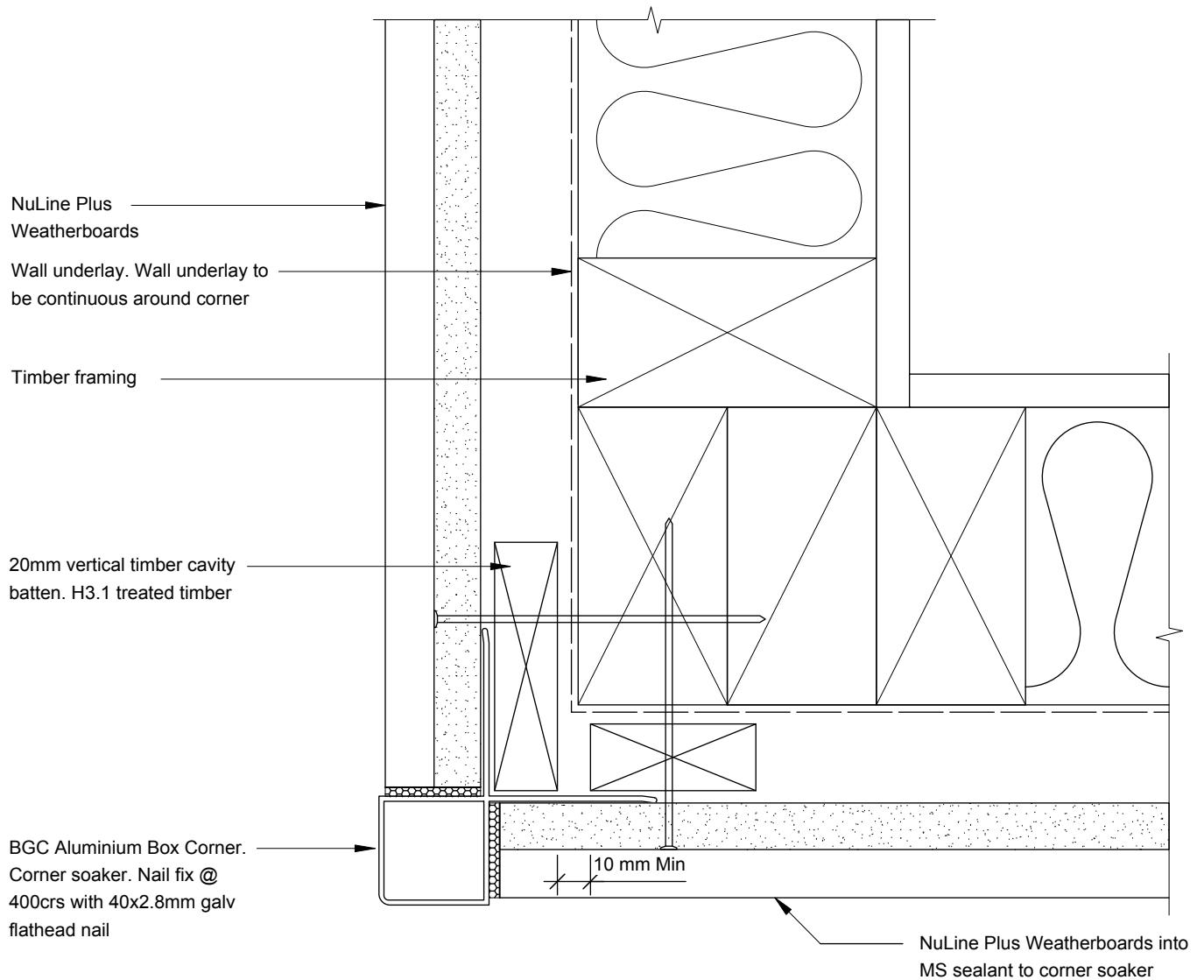
DATE Sep 2012

DETAIL Window Jamb
Cavity Construction

SCALE 1:2 @ A4

DETAIL NO. NU-09

BGC**Fibre Cement**PROFILE **NuLine™ Plus Weatherboards**DATE **Sep 2012**DETAIL **Window Jamb
Direct Fixed**SCALE **1:2 @ A4**DETAIL NO. **NU-09 D**

BGC**Fibre Cement**

PROFILE NuLine™ Plus Weatherboards

DETAIL External Corner Detail with BGC Profile Cavity Construction

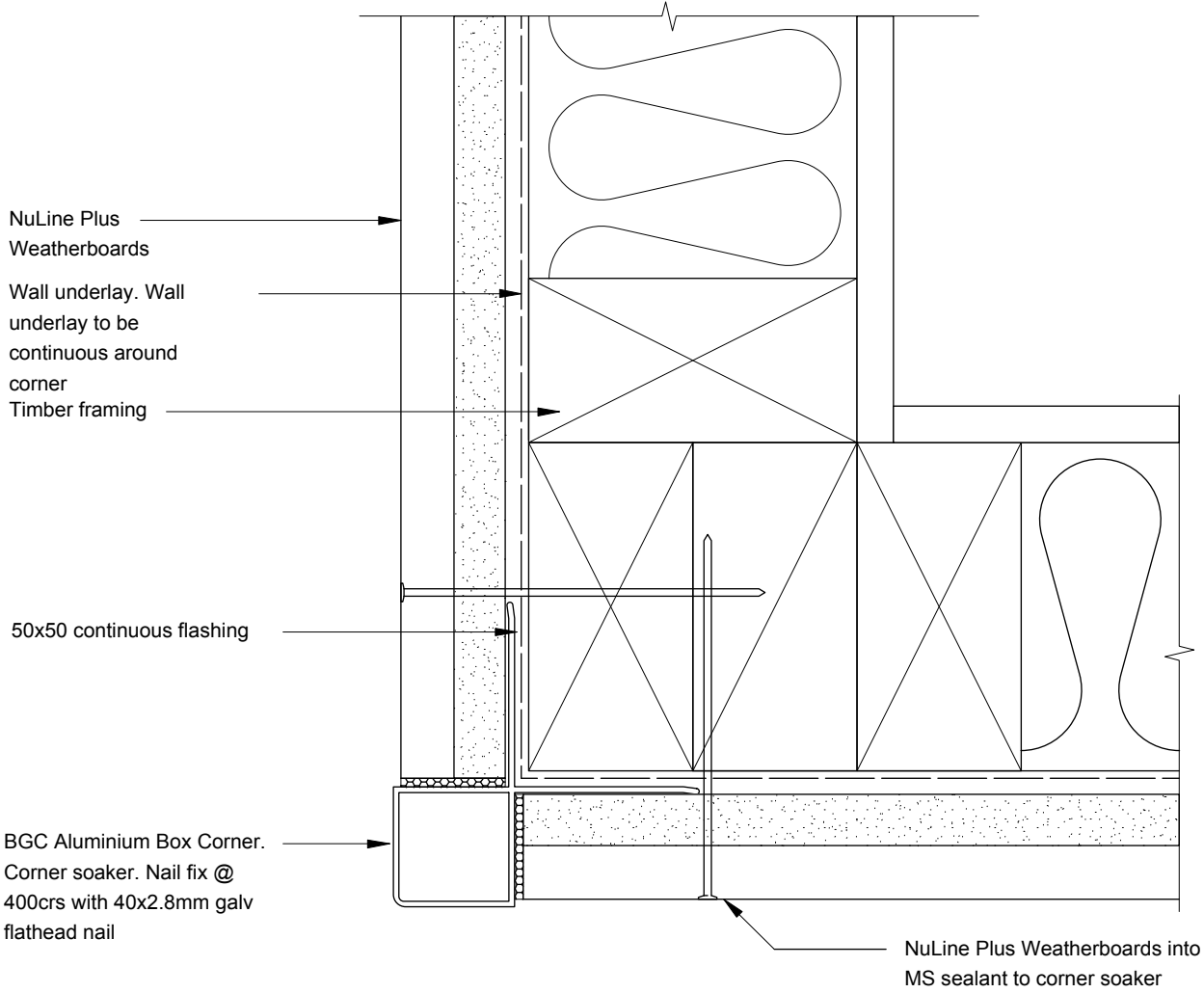
DATE Sep 2012

SCALE 1:2 @ A4

DETAIL NO. NU-10



Fibre Cement



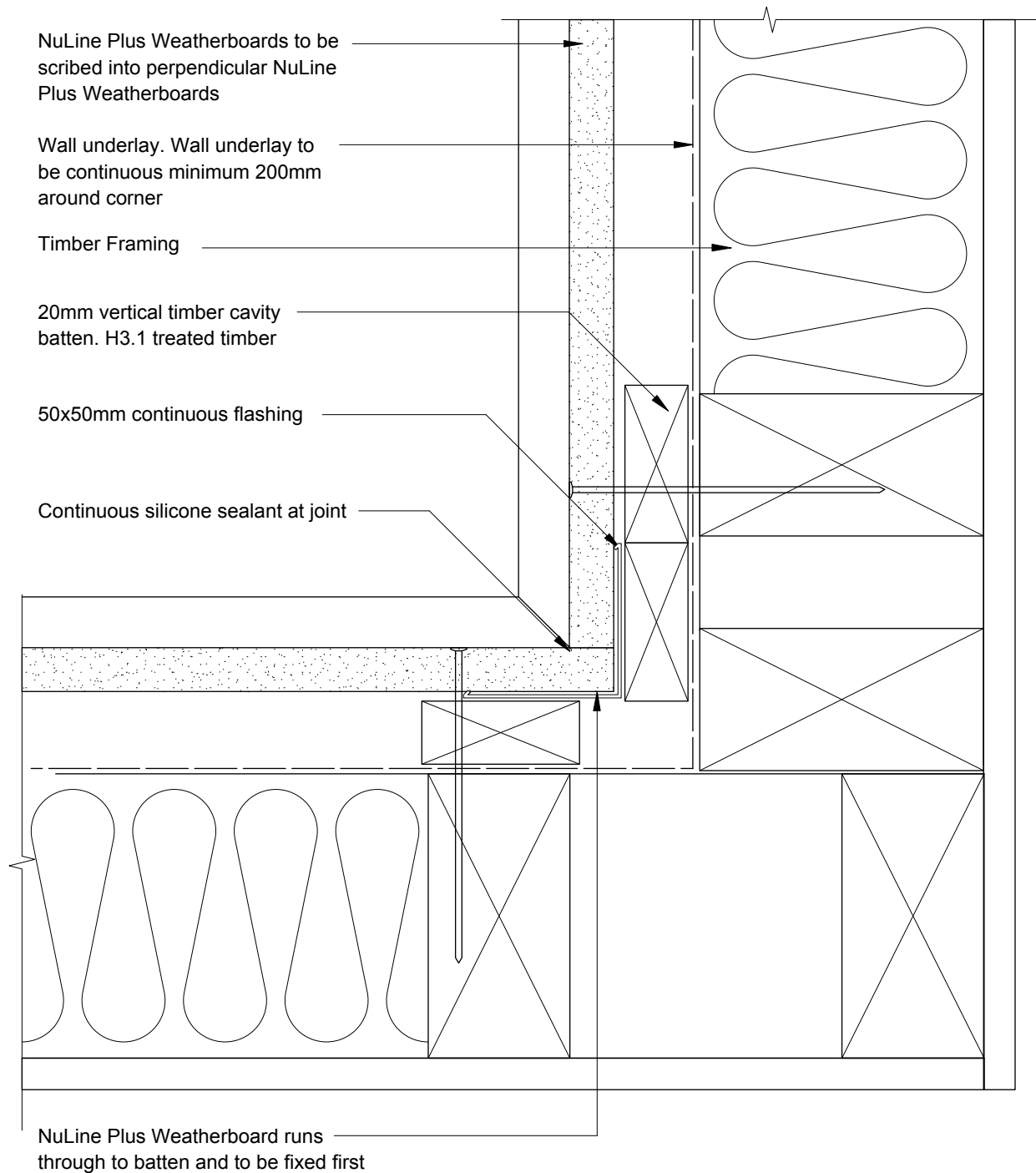
PROFILE NuLine™ Plus Weatherboards

DETAIL External Corner Detail with BGC Profile Direct Fixed

DATE Sep 2012

SCALE 1:2 @ A4

DETAIL NO. NU-10 D



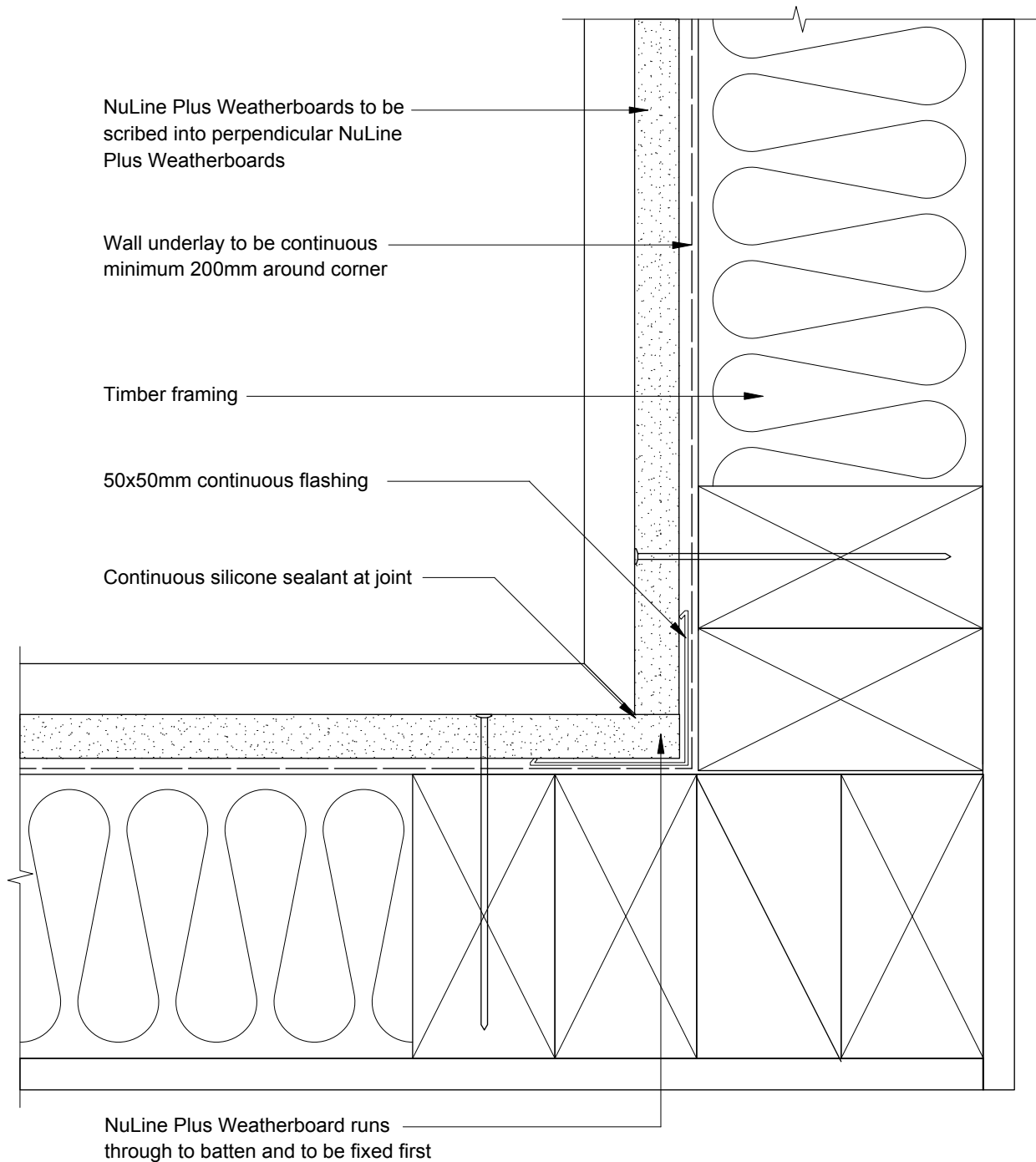
PROFILE NuLine™ Plus Weatherboards

DATE Sep 2012

DETAIL Internal Corner Detail
Cavity Construction

SCALE 1:2 @ A4

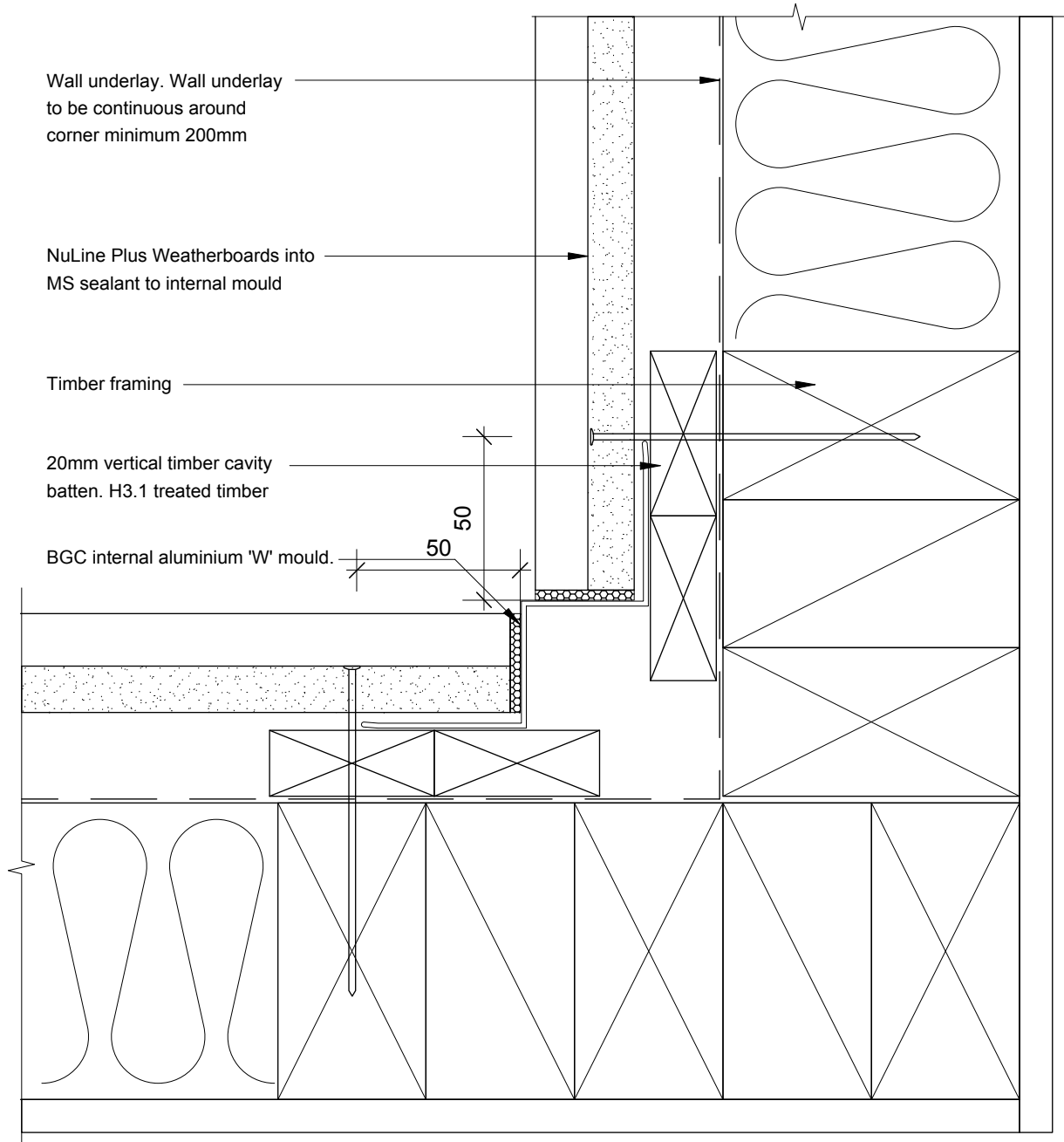
DETAIL NO. NU-11

BGC**Fibre Cement**PROFILE **NuLine™ Plus Weatherboards**DATE **Sep 2012**DETAIL **Internal Corner Detail
Direct Fixed**SCALE **1:2 @ A4**DETAIL NO. **NU-11 D**

BGC



Fibre Cement



PROFILE NuLine™ Plus Weatherboards

DETAIL Internal Corner Detail with BGC Profile
Cavity Construction

DATE Sep 2012

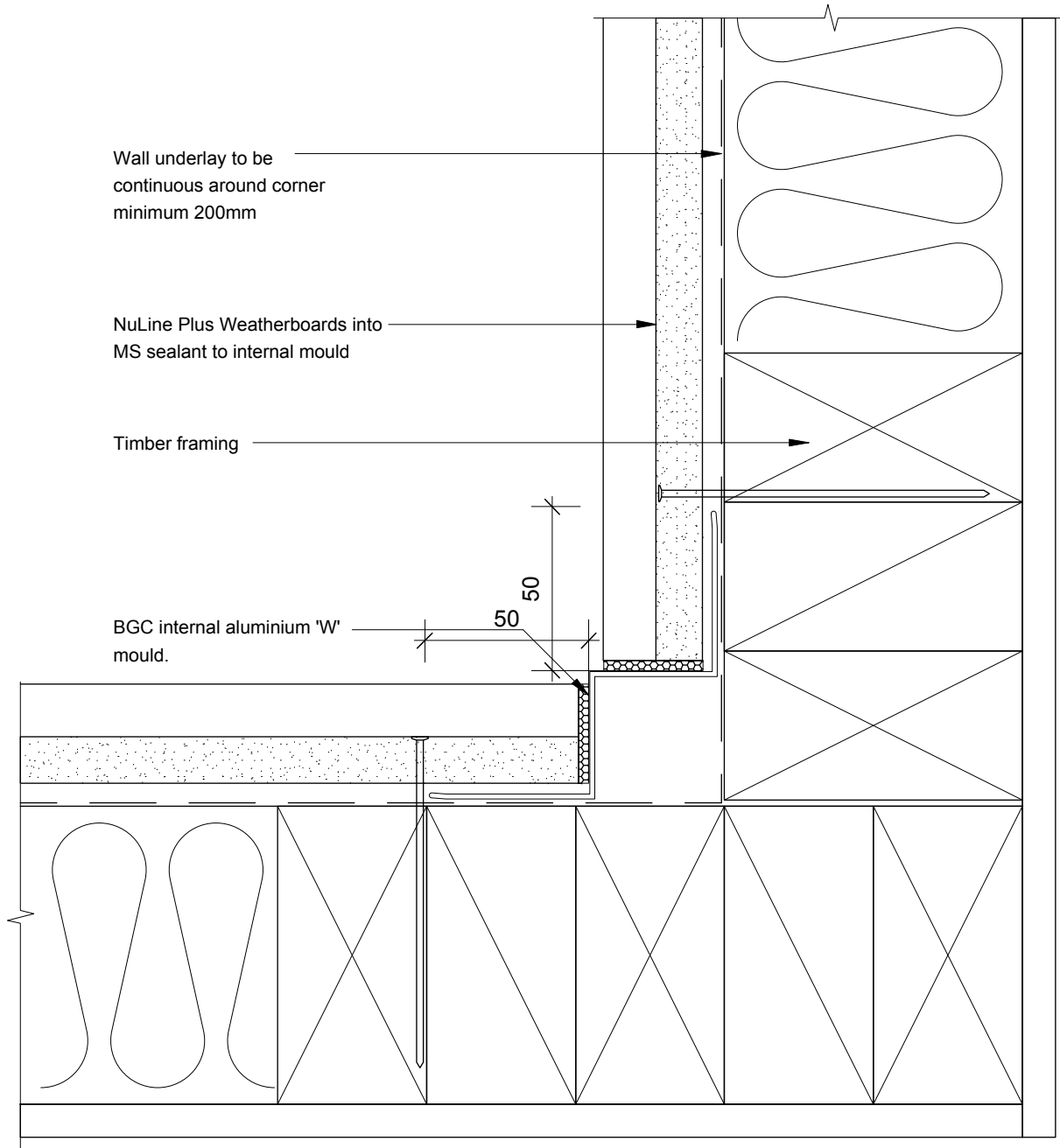
SCALE 1:2 @ A4

DETAIL NO. NU-12

BGC



Fibre Cement



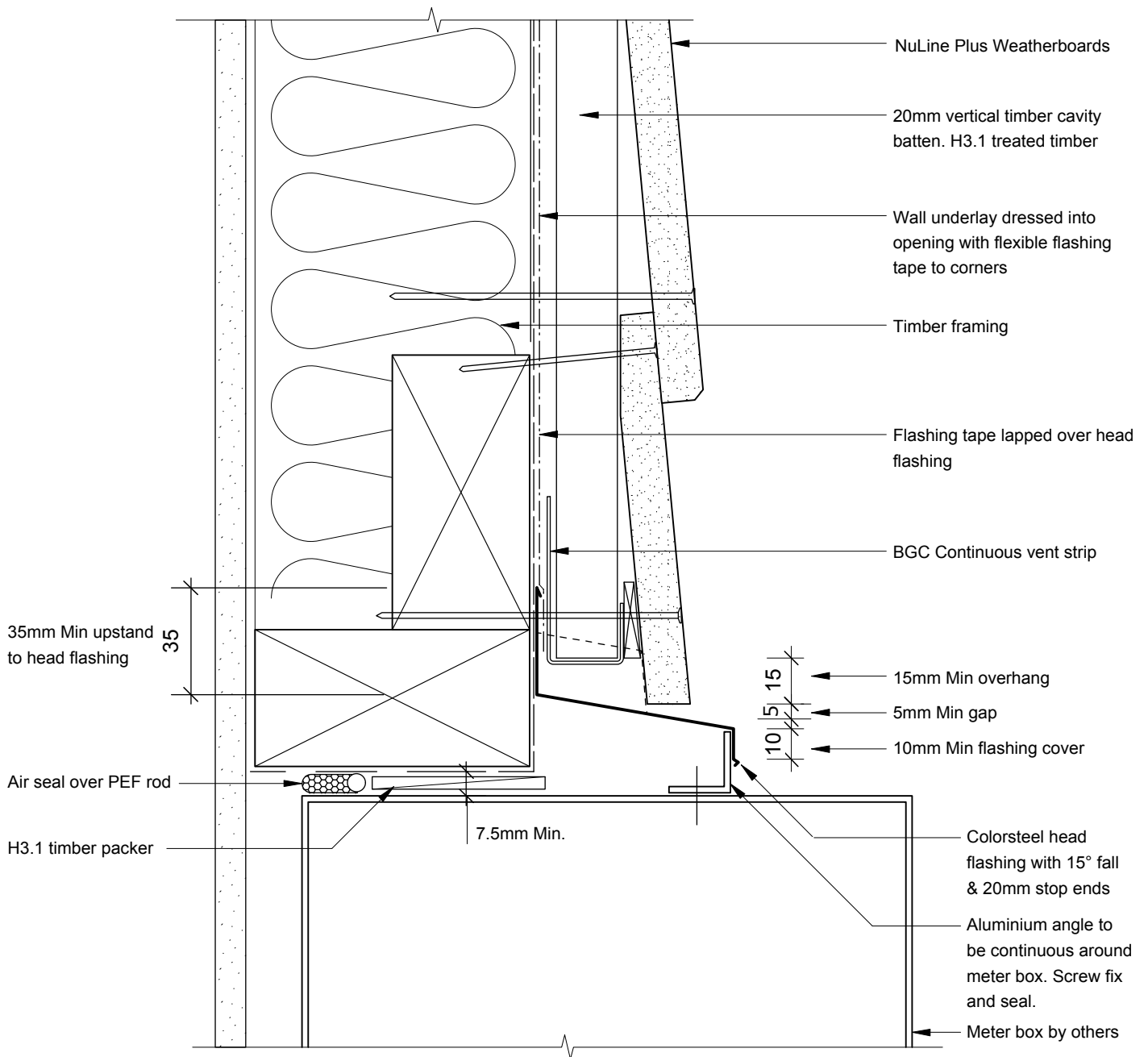
PROFILE NuLine™ Plus Weatherboards

DATE Sep 2012

DETAIL Internal Corner Detail with BGC Profile
Direct Fixed

SCALE 1:2 @ A4

DETAIL NO. NU-12 D

BGC**Fibre Cement**

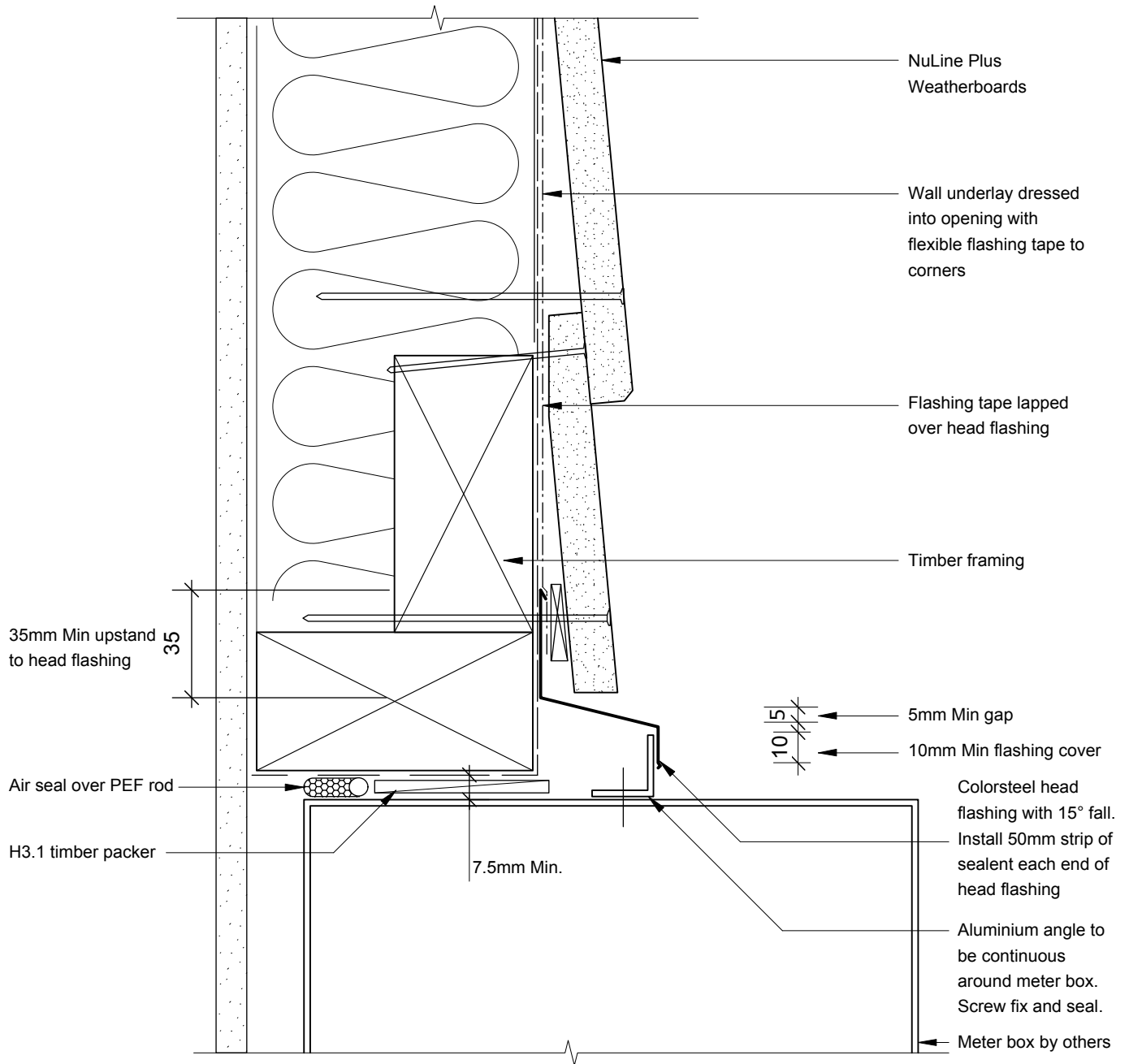
PROFILE NuLine™ Plus Weatherboards

DATE Sep 2012

DETAIL Meter Box Head
Cavity Construction

SCALE 1:2 @ A4

DETAIL NO. NU-13

BGC**Fibre Cement**

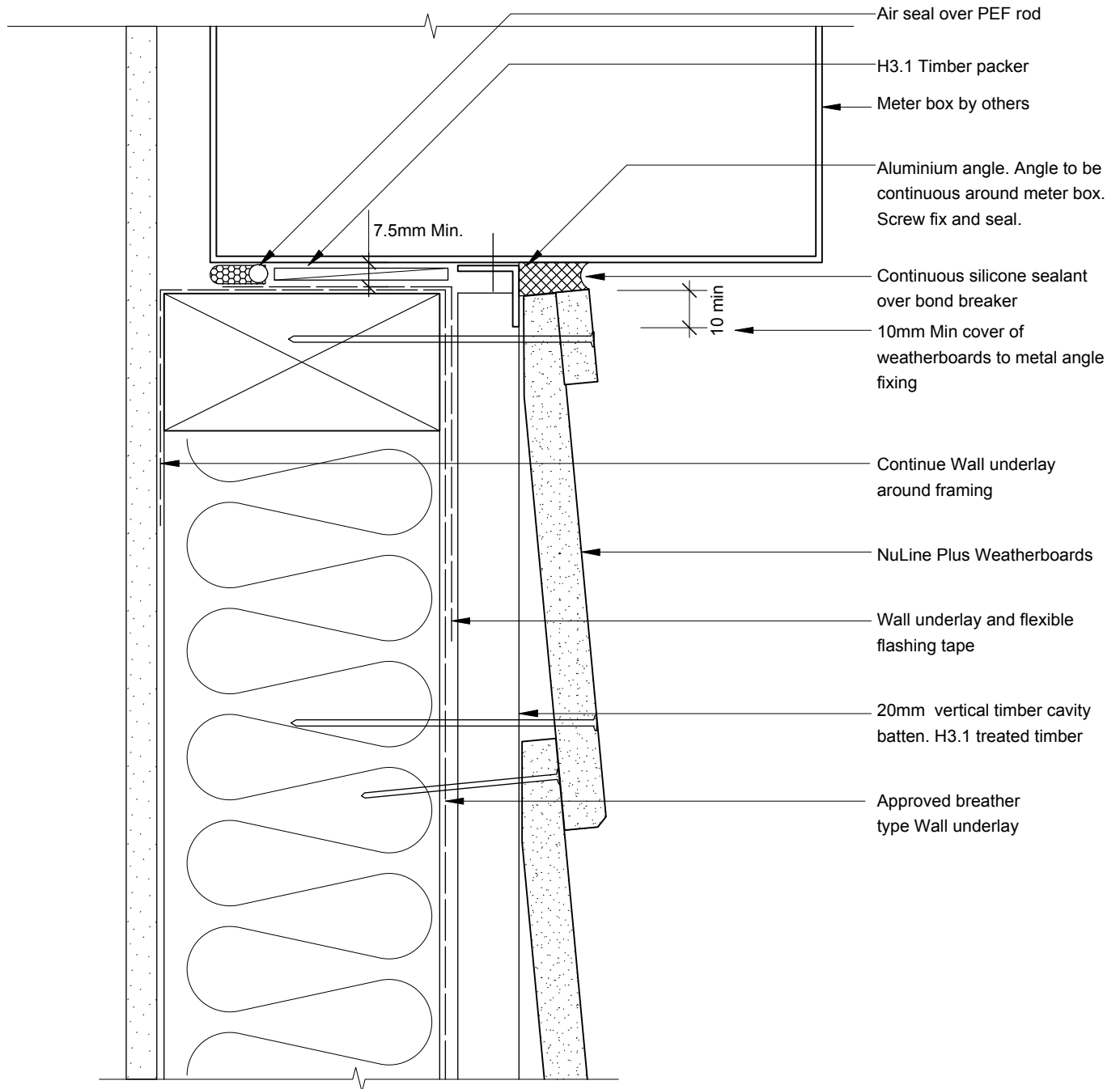
PROFILE NuLine™ Plus Weatherboards

DATE Sep 2012

DETAIL Meter Box Head
Direct Fixed

SCALE 1:2 @ A4

DETAIL NO. NU-13 D



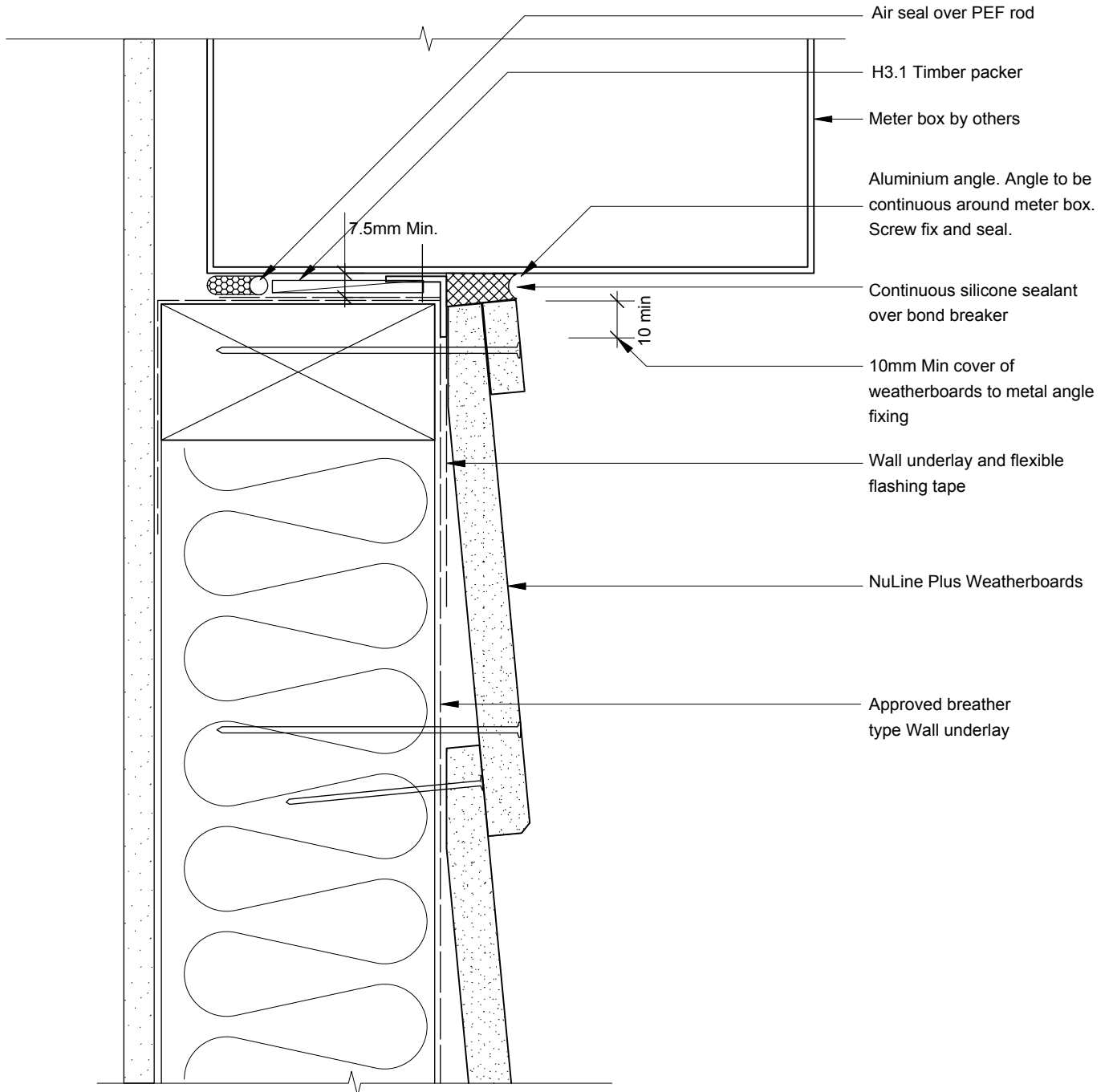
PROFILE NuLine™ Plus Weatherboards

DATE Sep 2012

DETAIL Meter Box Sill
Cavity Construction

SCALE 1:2 @ A4

DETAIL NO. NU-14

BGC**Fibre Cement**

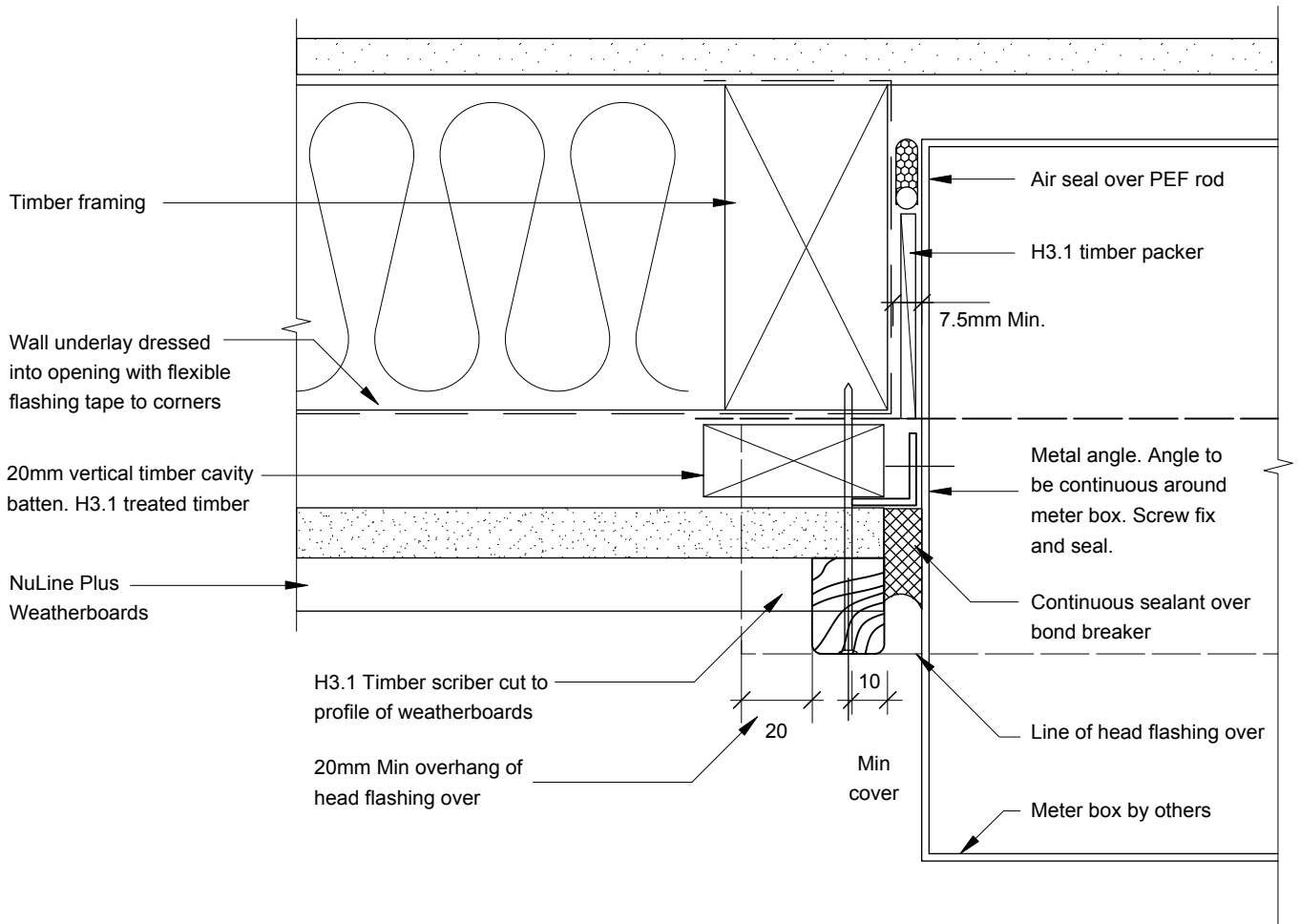
PROFILE NuLine™ Plus Weatherboards

DATE Sep 2012

DETAIL Meter Box Sill
Direct Fixed

SCALE 1:2 @ A4

DETAIL NO. NU-14 D



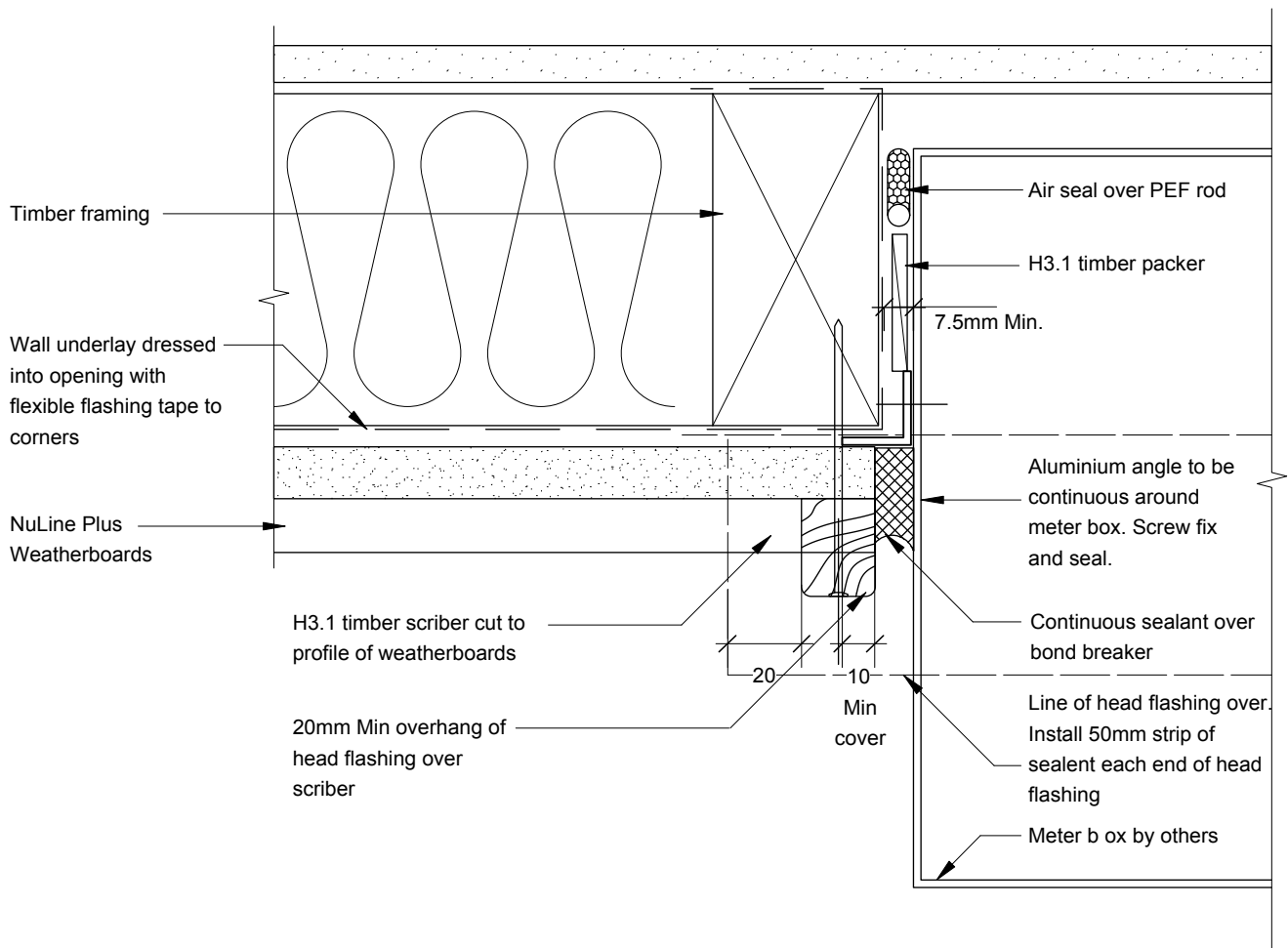
PROFILE NuLine™ Plus Weatherboards

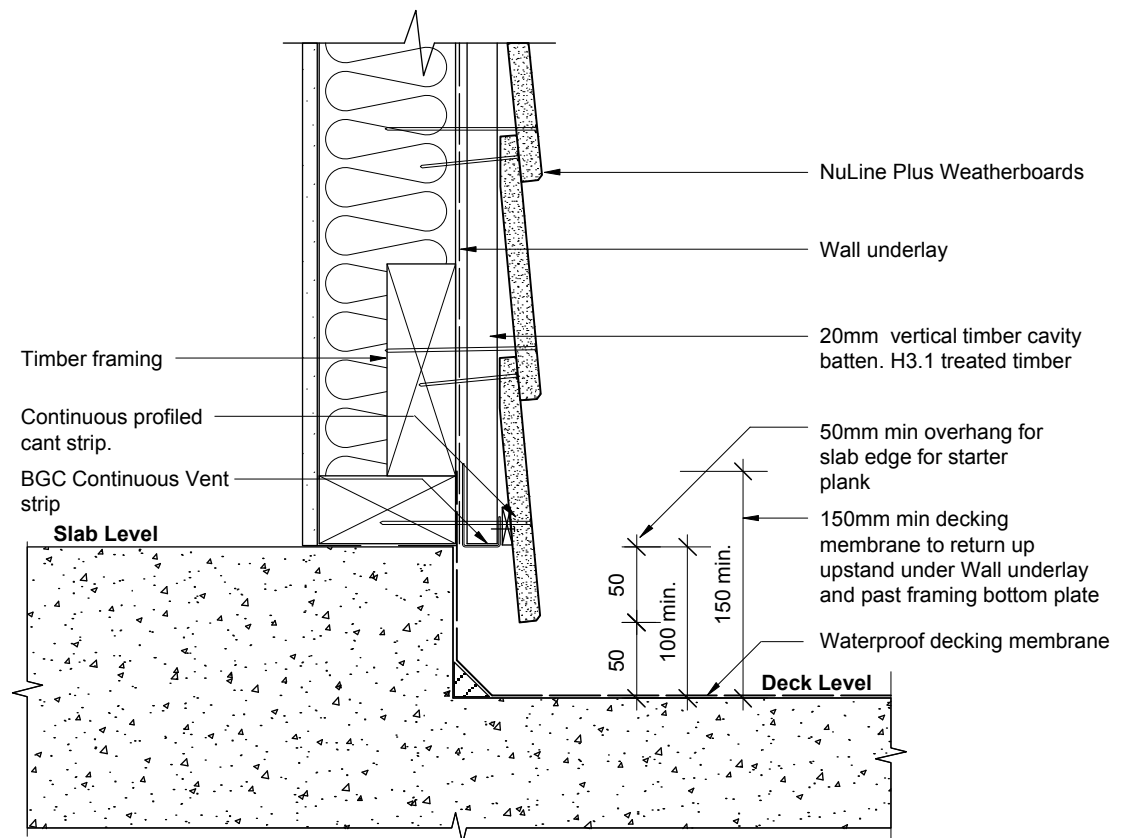
DATE Sep 2012

DETAIL Meter Box Jamb
Cavity Construction

SCALE 1:2 @ A4

DETAIL NO. NU-15

BGC**Fibre Cement**PROFILE **NuLine™ Plus Weatherboards**DATE **Sep 2012**DETAIL **Meter Box Jamb
Direct Fixed**SCALE **1:2 @ A4**DETAIL NO. **NU-15 D**

BGC**Fibre Cement**

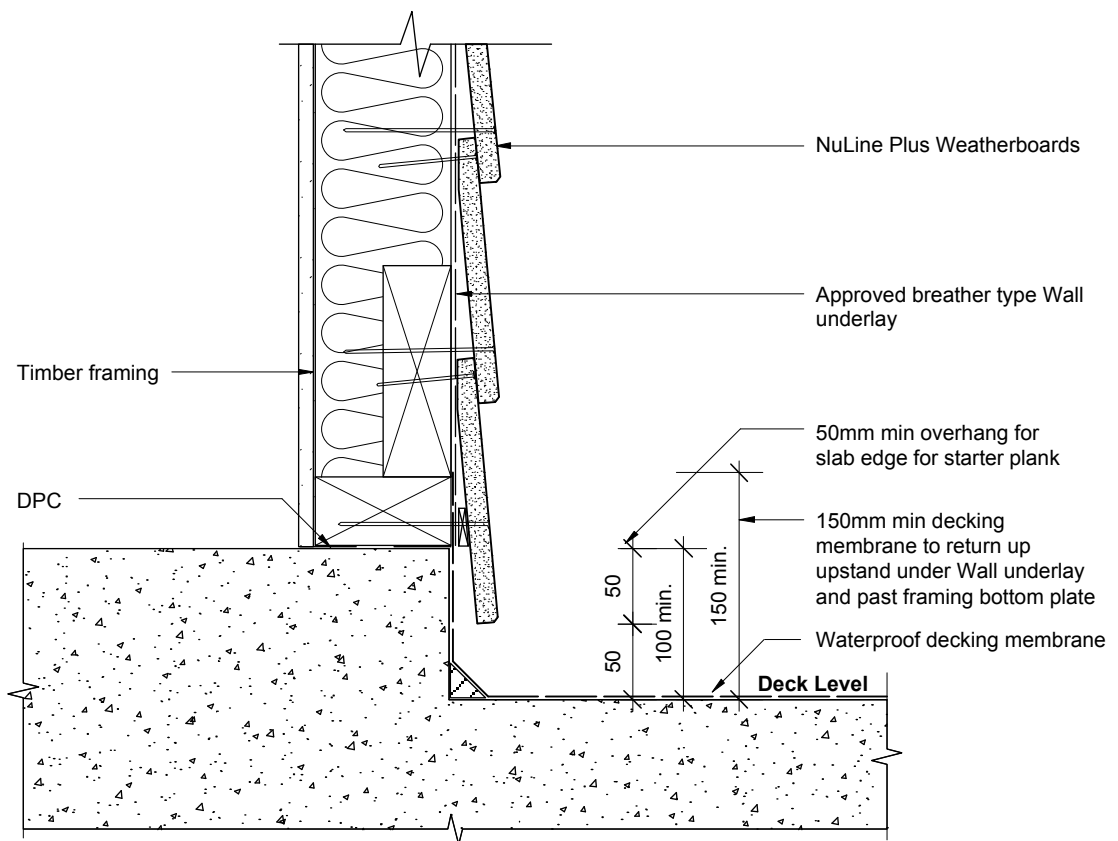
PROFILE NuLine™ Plus Weatherboards

DATE Sep 2012

DETAIL Enclosed Deck Detail
Cavity Construction

SCALE 1:5 @ A4

DETAIL NO. NU-16

BGC**Fibre Cement**

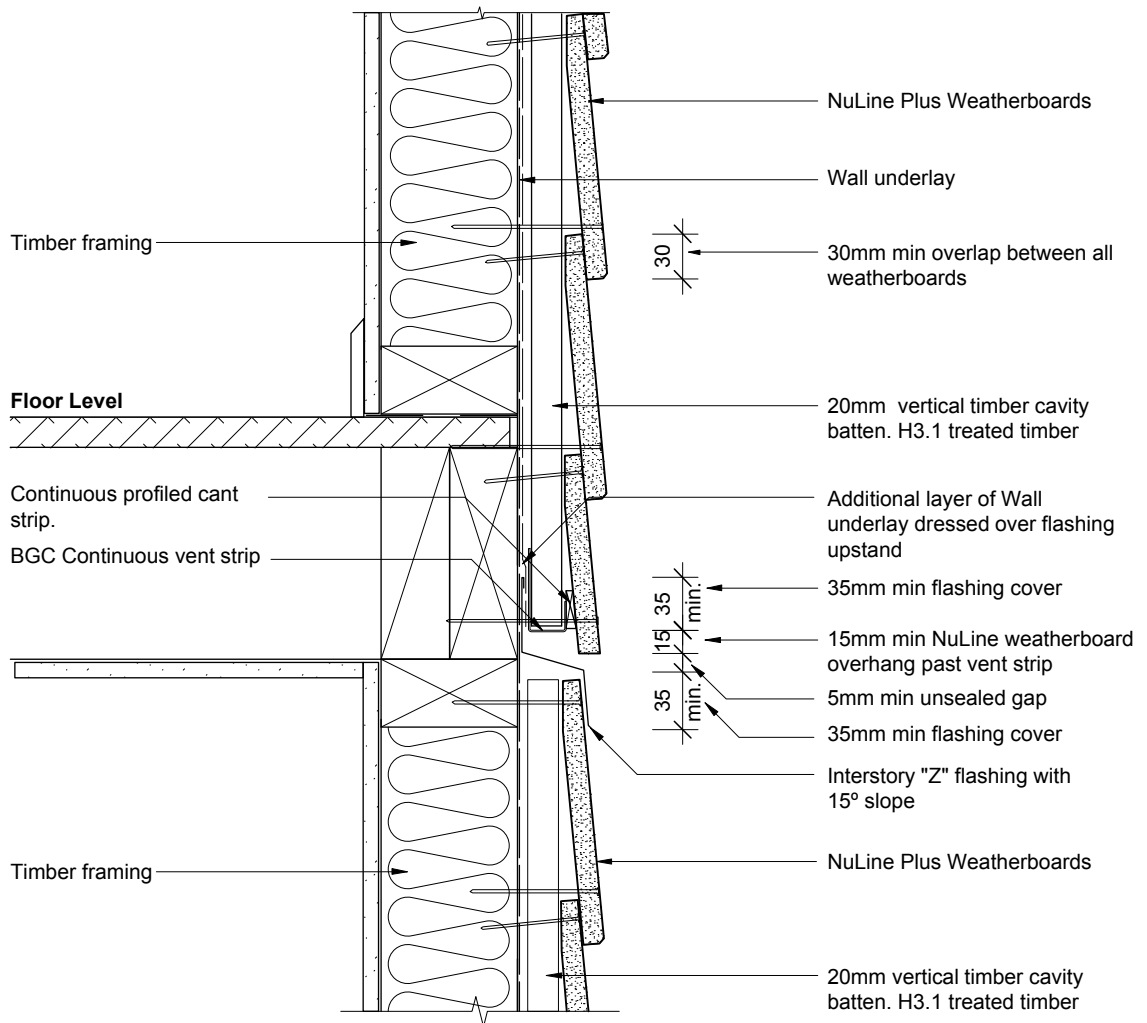
PROFILE NuLine™ Plus Weatherboards

DATE Sep 2012

DETAIL Enclosed Deck Detail
Direct Fixed

SCALE 1:5 @ A4

DETAIL NO. NU-16 D



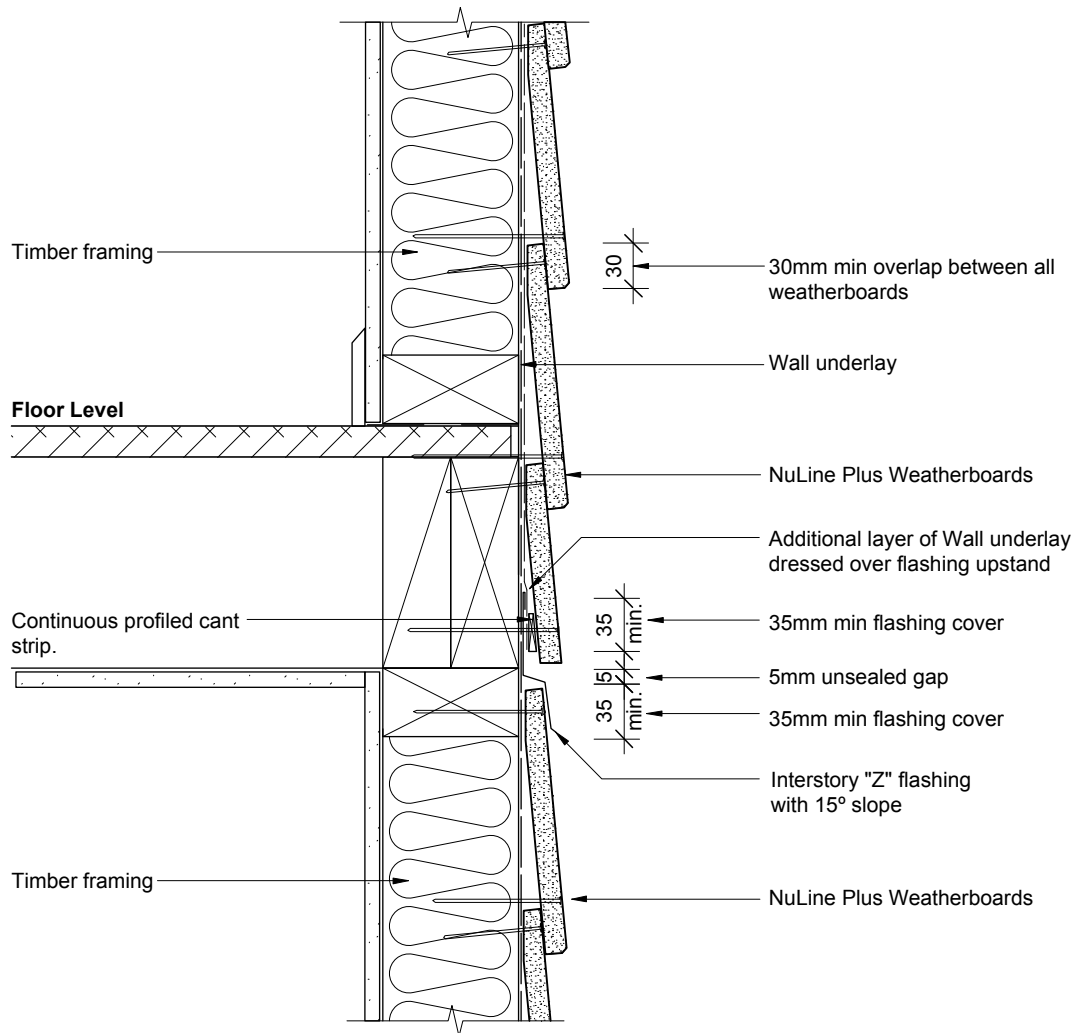
PROFILE NuLine™ Plus Weatherboards

DATE Sep 2012

DETAIL Interstorey Drainage Joint Detail
Cavity Construction

SCALE 1:5 @ A4

DETAIL NO. NU-17

BGC**Fibre Cement**

PROFILE NuLine™ Plus Weatherboards

DATE Sep 2012

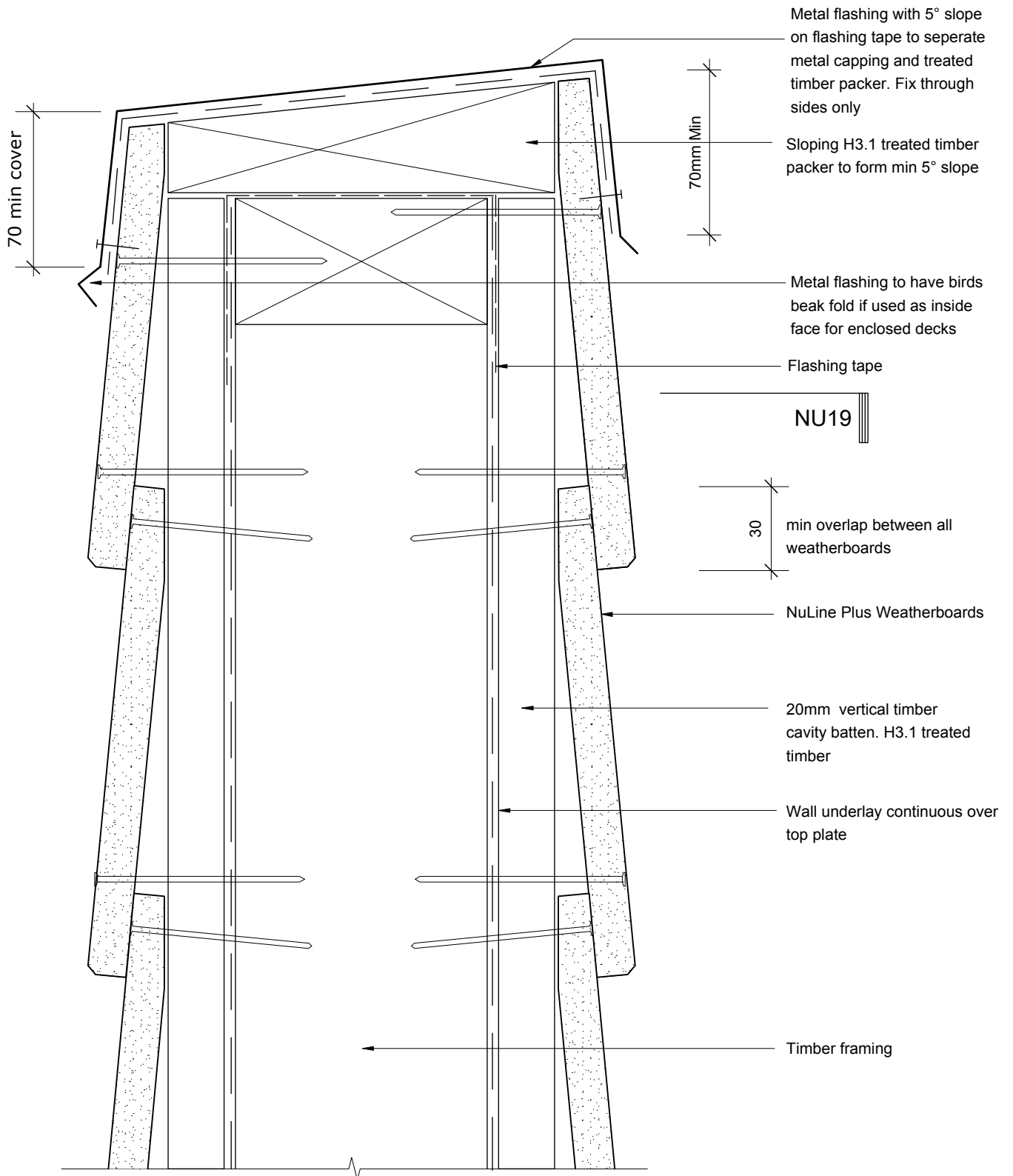
DETAIL Interstorey Control Joint Detail
Direct Fixed

SCALE 1:5 @ A4

DETAIL NO. NU-17 D

BGC

Fibre Cement



THIS DETAIL IS TO BE USED WITH DETAIL NU19

PROFILE NuLine™ Plus Weatherboards

DETAIL Enclosed Balustrade/Parapet Wall Cavity Construction

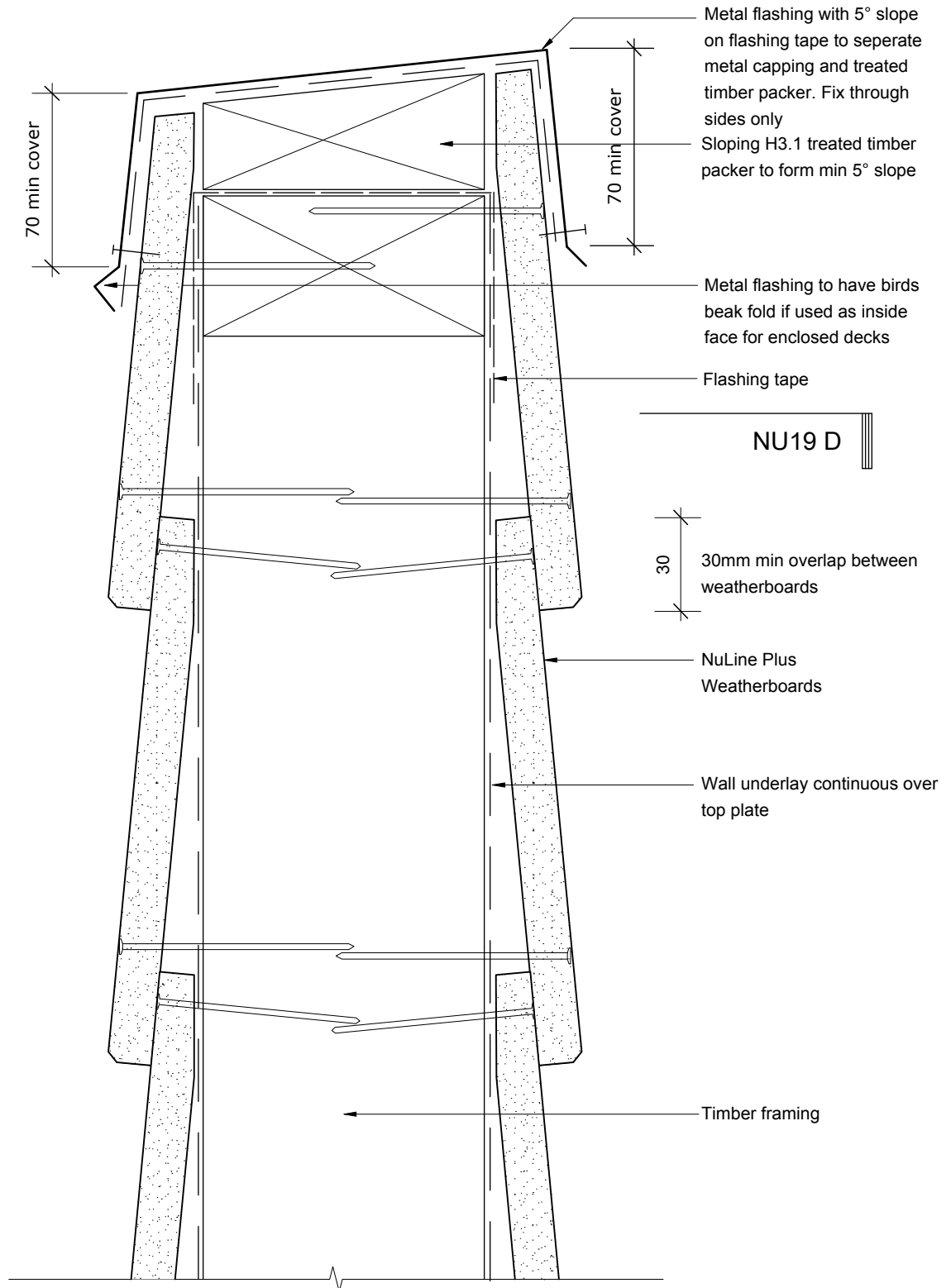
DATE Sep 2012

SCALE 1:2 @ A4

DETAIL NO. NU-18

BGC

Fibre Cement



THIS DETAIL IS TO BE USED WITH DETAIL NU19 D

PROFILE NuLine™ Plus Weatherboards

DATE Sep 2012

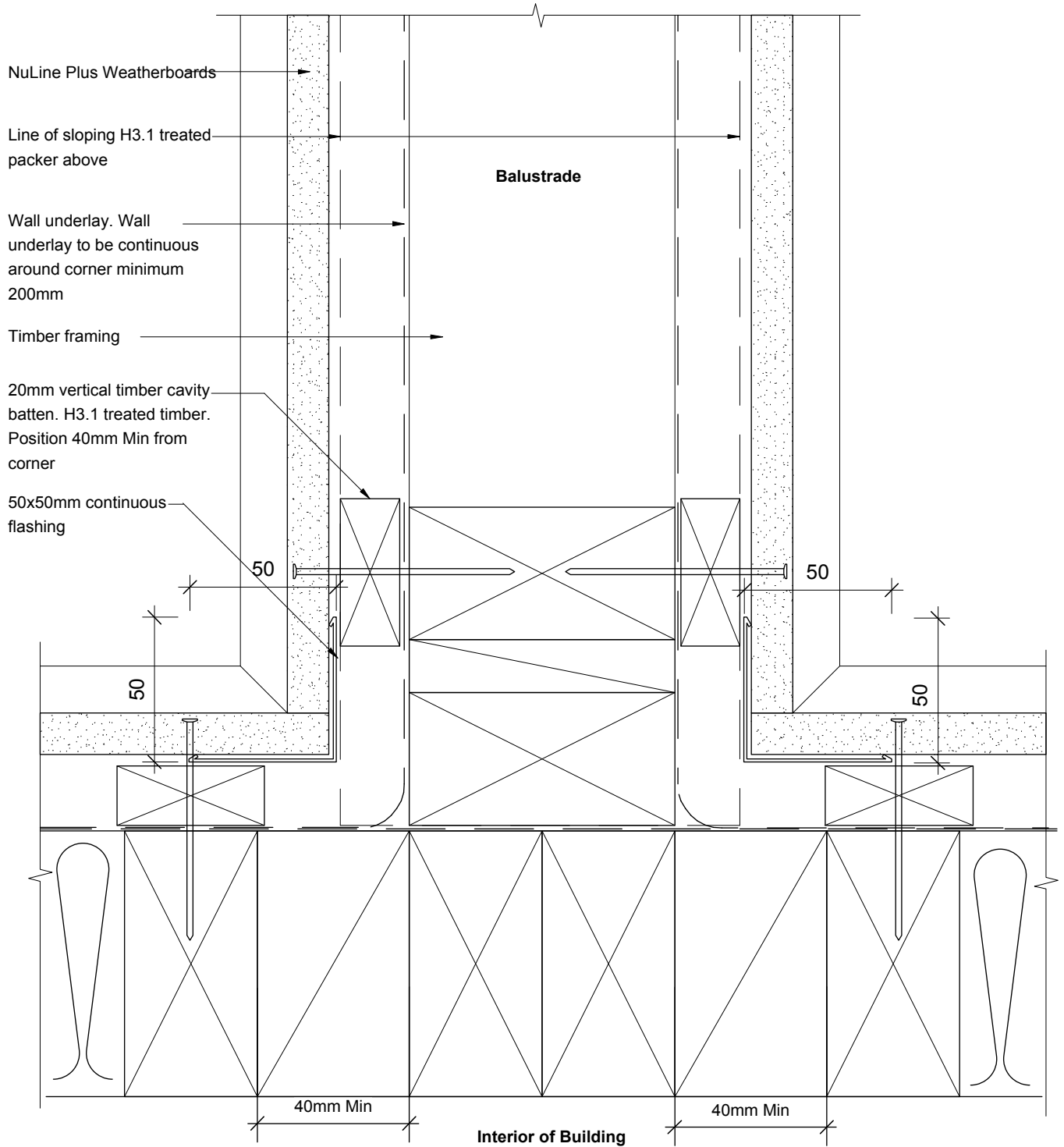
DETAIL Parapet Wall Direct Fixed

SCALE 1:2 @ A4

DETAIL NO. NU-18 D

BGC

Fibre Cement



THIS DETAIL IS TO BE
USED WITH DETAIL NU18

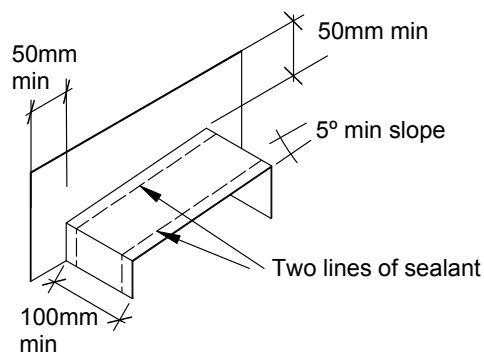
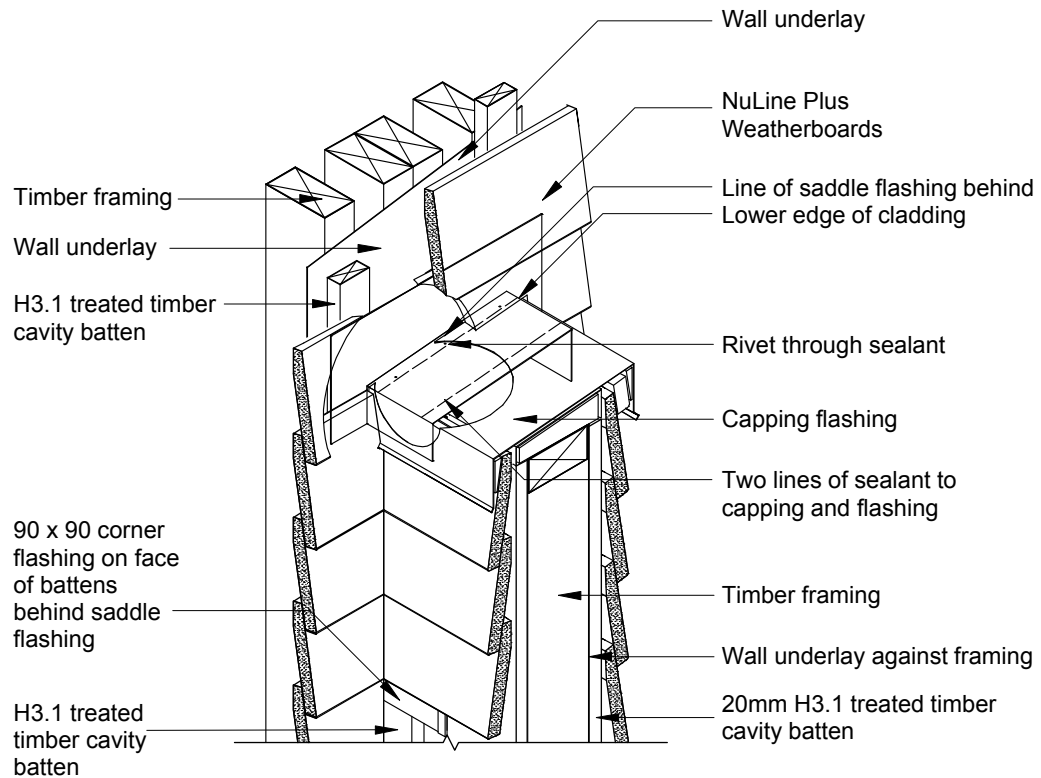
PROFILE NuLine™ Plus Weatherboards

DATE Sep 2012

DETAIL Enclosed Balustrade Wall
Plan Detail Cavity Construction

SCALE 1:2 @ A4

DETAIL NO. NU-19

BGC**Fibre Cement**

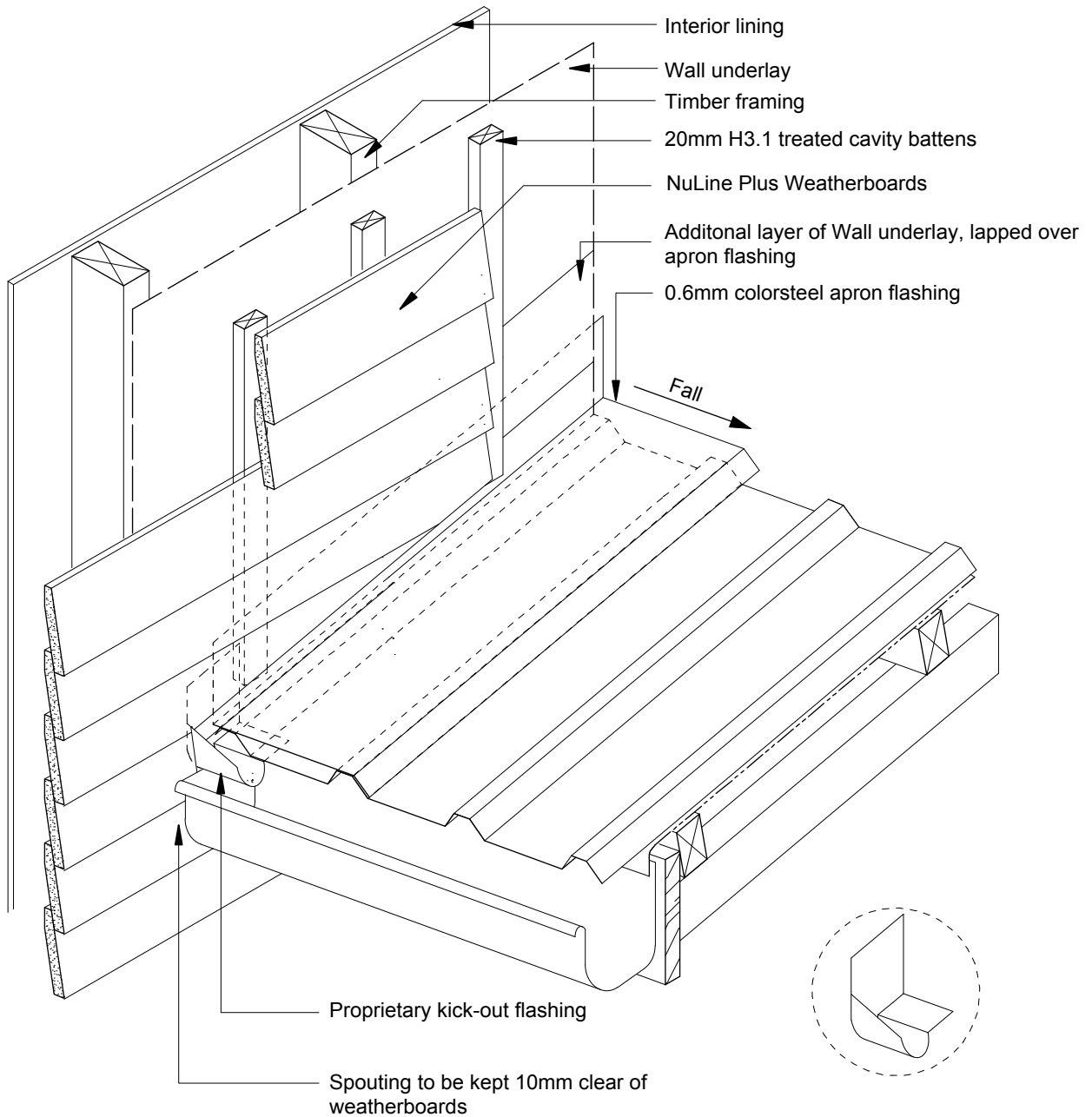
PROFILE NuLine™ Plus Weatherboards

DATE Sep 2012

DETAIL Balustrade To Wall Junction
Detail Cavity Construction

SCALE 1:10 @ A4

DETAIL NO. NU-20

BGC**Fibre Cement**

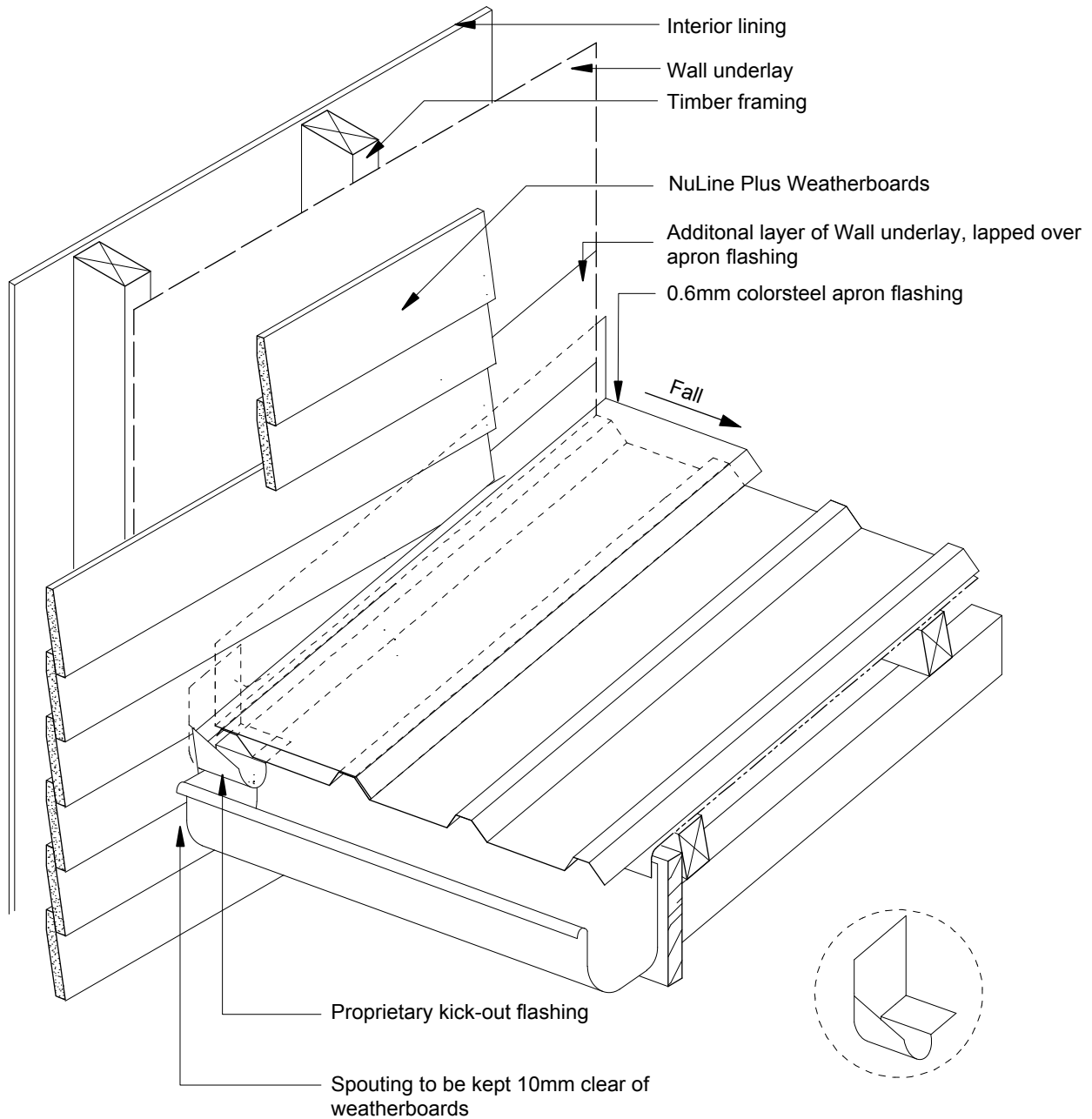
PROFILE NuLine™ Plus Weatherboards

DATE Sep 2012

DETAIL Gutter To Wall Junction
Detail Cavity Construction

SCALE 1:5 @ A4

DETAIL NO. NU-21

BGC**Fibre Cement**

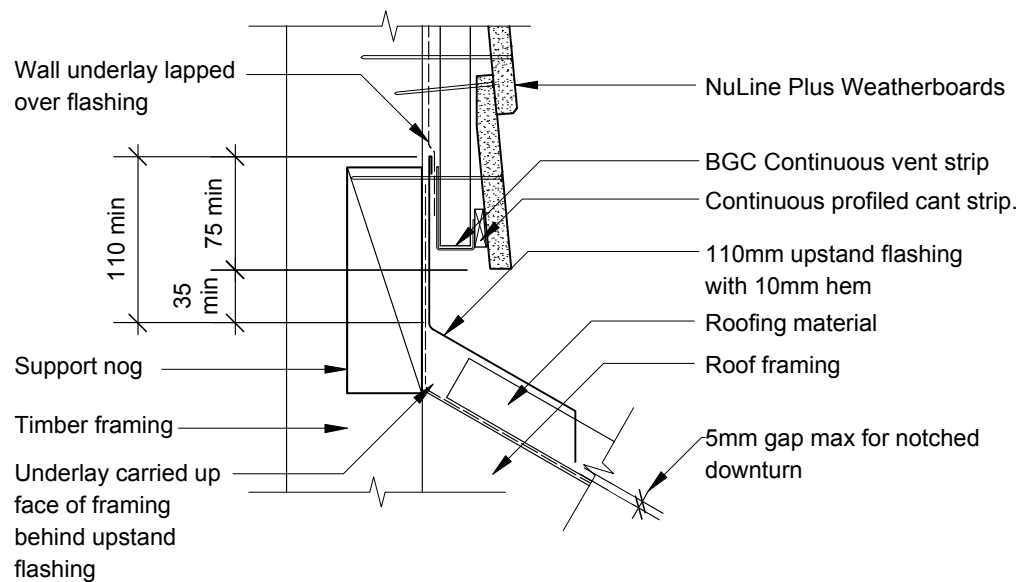
PROFILE NuLine™ Plus Weatherboards

DATE Sep 2012

DETAIL Gutter To Wall Junction
Detail Direct Fixed

SCALE 1:5 @ A4

DETAIL NO. NU-21 D

BGC**Fibre Cement**

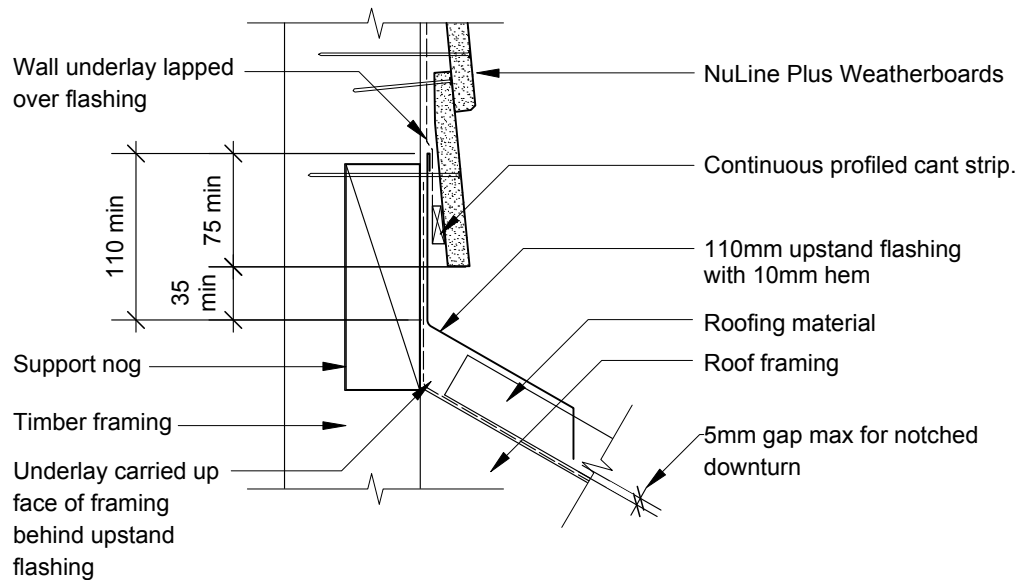
PROFILE NuLine™ Plus Weatherboards

DATE Sep 2012

DETAIL Transverse Apron Flashing
Detail Cavity Construction

SCALE 1:5 @ A4

DETAIL NO. NU-22

BGC**Fibre Cement**

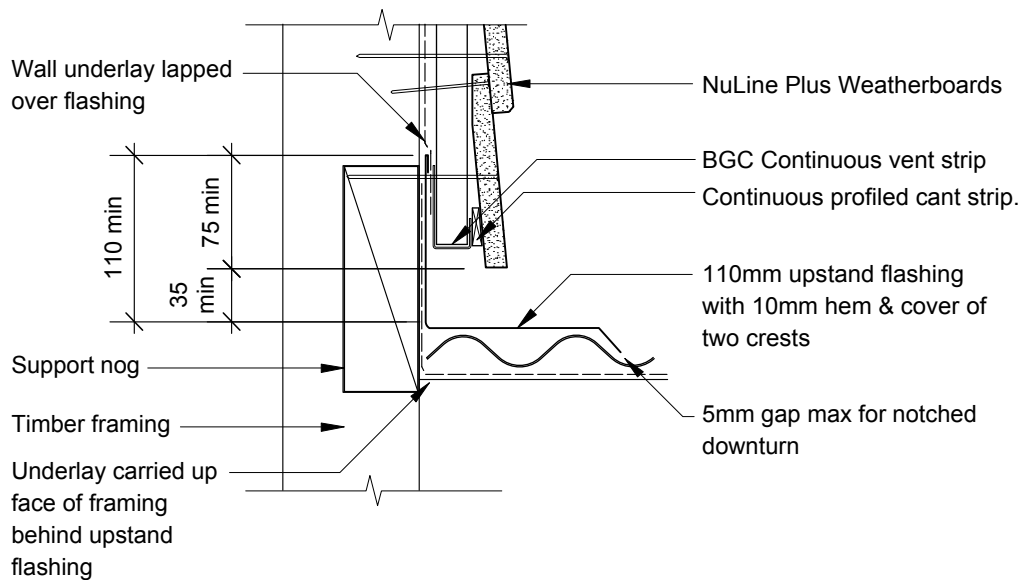
PROFILE NuLine™ Plus Weatherboards

DATE Sep 2012

DETAIL Transverse Apron Flashing
Detail Direct Fixed

SCALE 1:5 @ A4

DETAIL NO. NU-22 D

BGC**Fibre Cement**

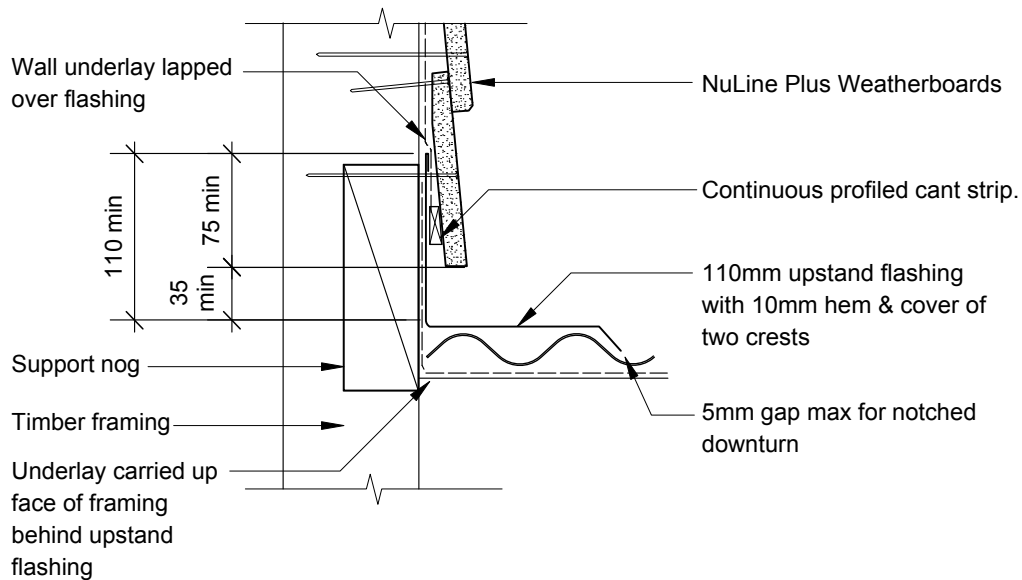
PROFILE NuLine™ Plus Weatherboards

DATE Sep 2012

DETAIL Parallel Apron Flashing
Detail Cavity Construction

SCALE 1:5 @ A4

DETAIL NO. NU-23

BGC**Fibre Cement**

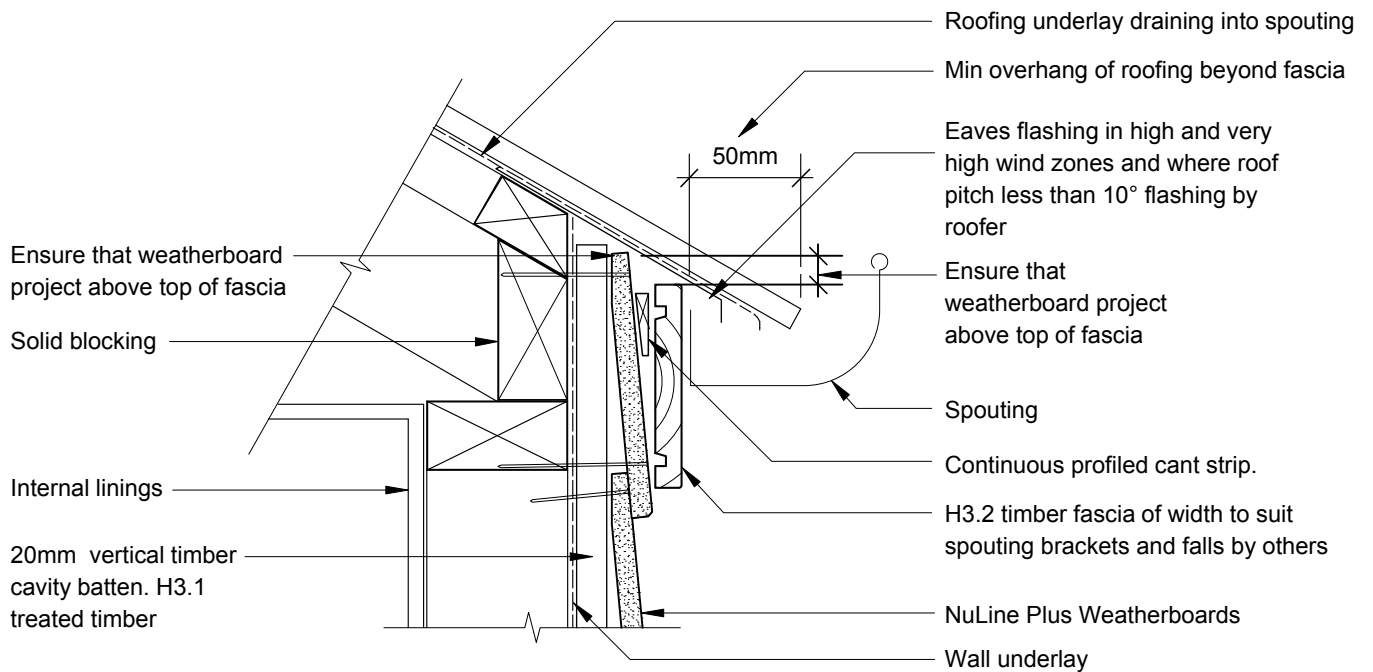
PROFILE NuLine™ Plus Weatherboards

DATE Sep 2012

DETAIL Parallel Apron Flashing
Detail Direct Fixed

SCALE 1:5 @ A4

DETAIL NO. NU-23 D



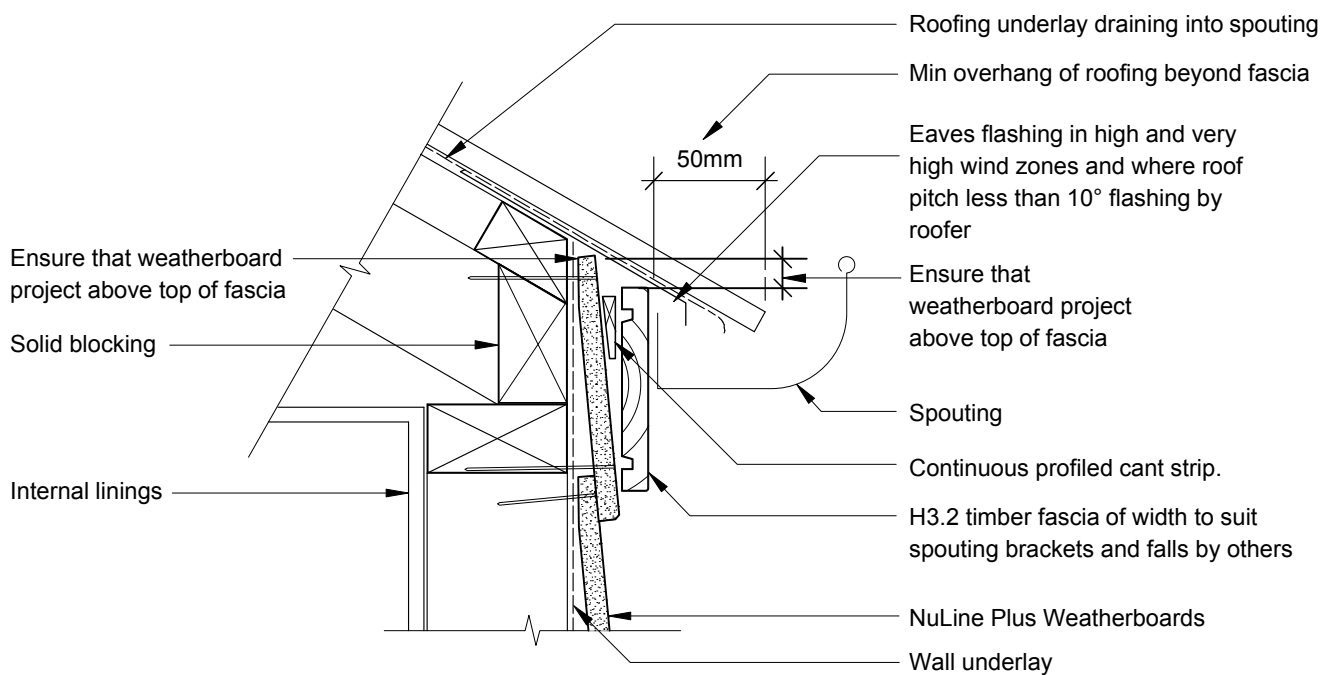
PROFILE NuLine™ Plus Weatherboards

DATE Sep 2012

DETAIL Eaves With No Soffit Detail
Cavity Construction

SCALE 1:5 @ A4

DETAIL NO. NU-24



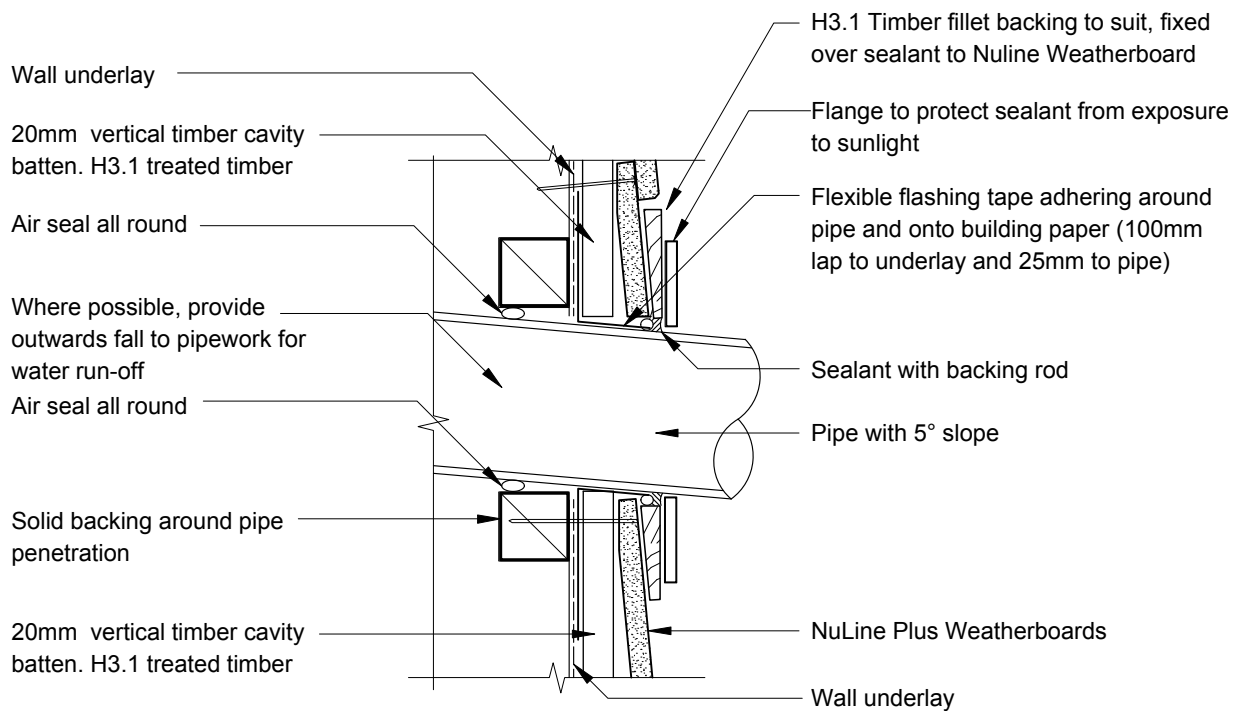
PROFILE NuLine™ Plus Weatherboards

DATE Sep 2012

DETAIL Eaves With No Soffit Detail
Direct Fixed

SCALE 1:5 @ A4

DETAIL NO. NU-24 D



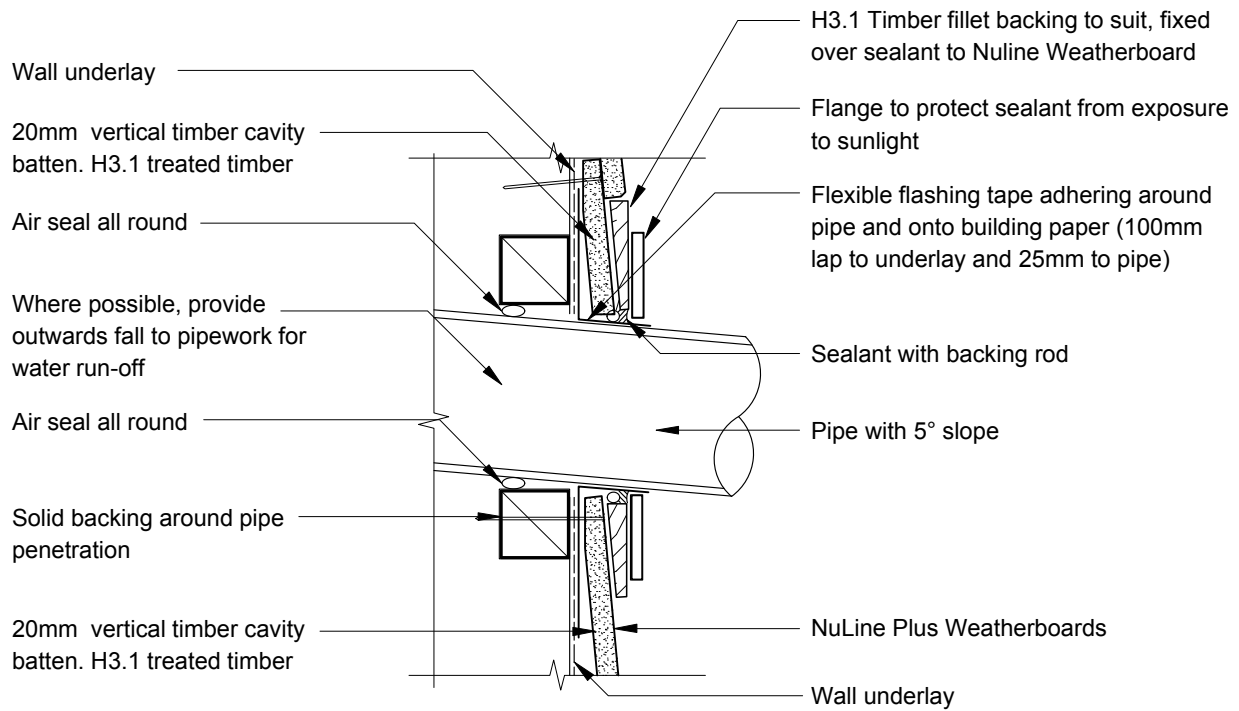
PROFILE NuLine™ Plus Weatherboards

DATE Sep 2012

DETAIL Pipe Penetration Detail
Cavity Construction

SCALE 1:5 @ A4

DETAIL NO. NU-25



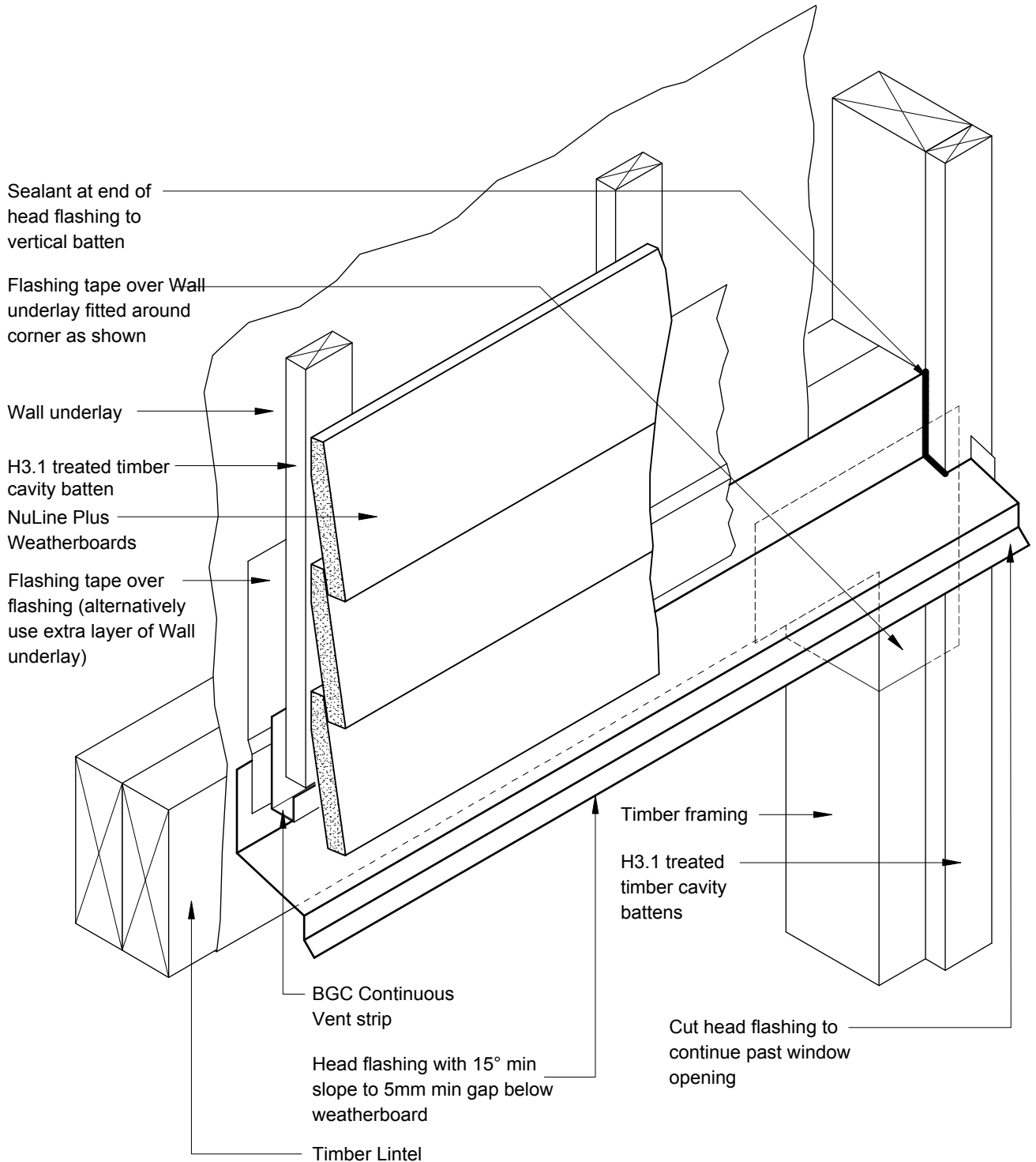
PROFILE NuLine™ Plus Weatherboards

DATE Sep 2012

DETAIL Pipe Penetration Detail
Direct Fixed

SCALE 1:5 @ A4

DETAIL NO. NU-25 D

BGC**Fibre Cement**

PROFILE NuLine™ Plus Weatherboards

DATE Sep 2012

DETAIL Window Head/Jamb Junction
Detail Cavity Construction

SCALE 1:5 @ A4

DETAIL NO. NU-26

Note: Accurate slot to be cut in weatherboard to enable fit around head flashing. Prevent moisture ingress at end of slot by sealing gap. Refer detail NU-07 D

Flashing tape over Wall underlay fitted around corner as shown

Wall underlay

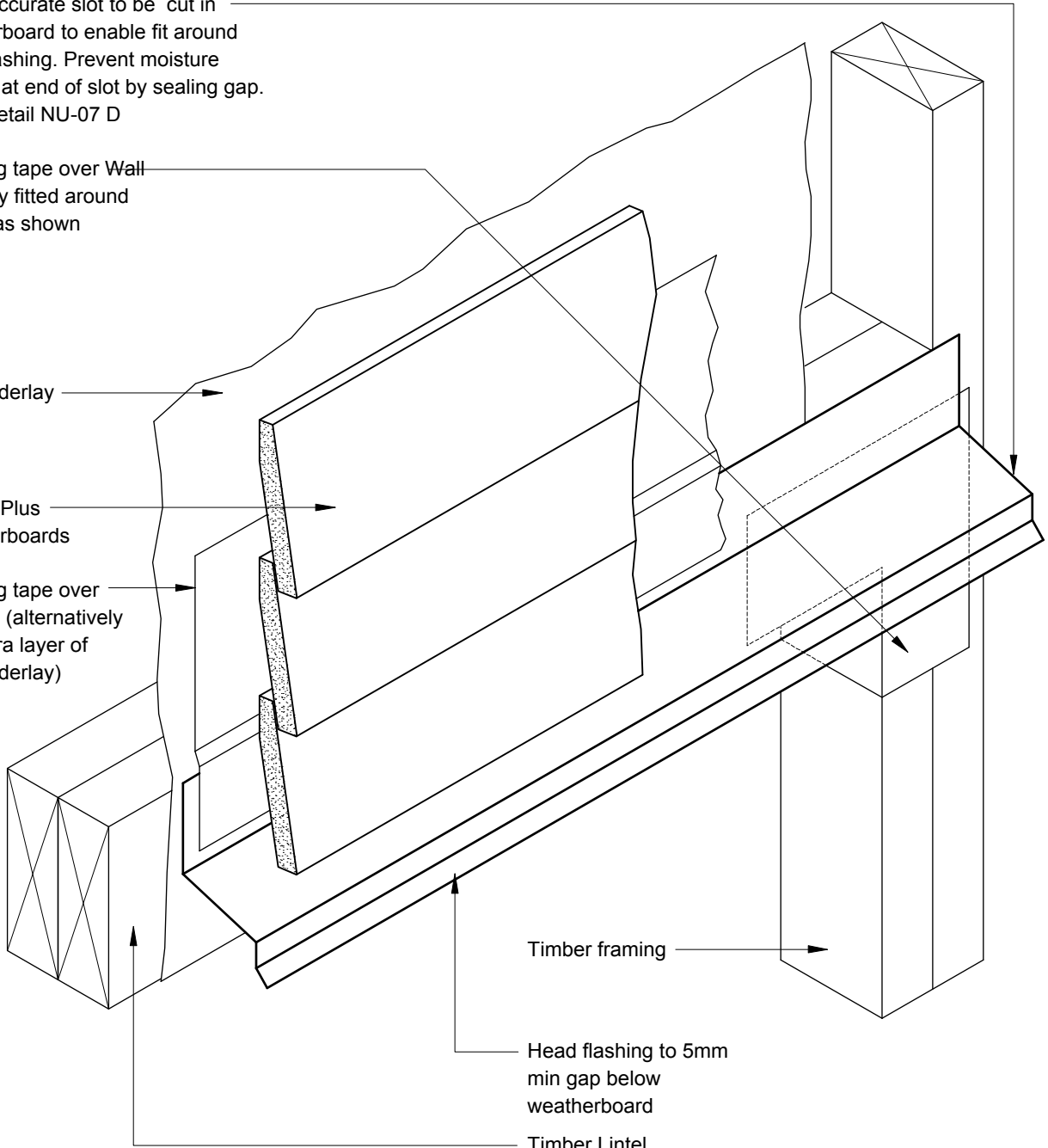
NuLine Plus Weatherboards

Flashing tape over flashing (alternatively use extra layer of Wall underlay)

Timber framing

Head flashing to 5mm min gap below weatherboard

Timber Lintel



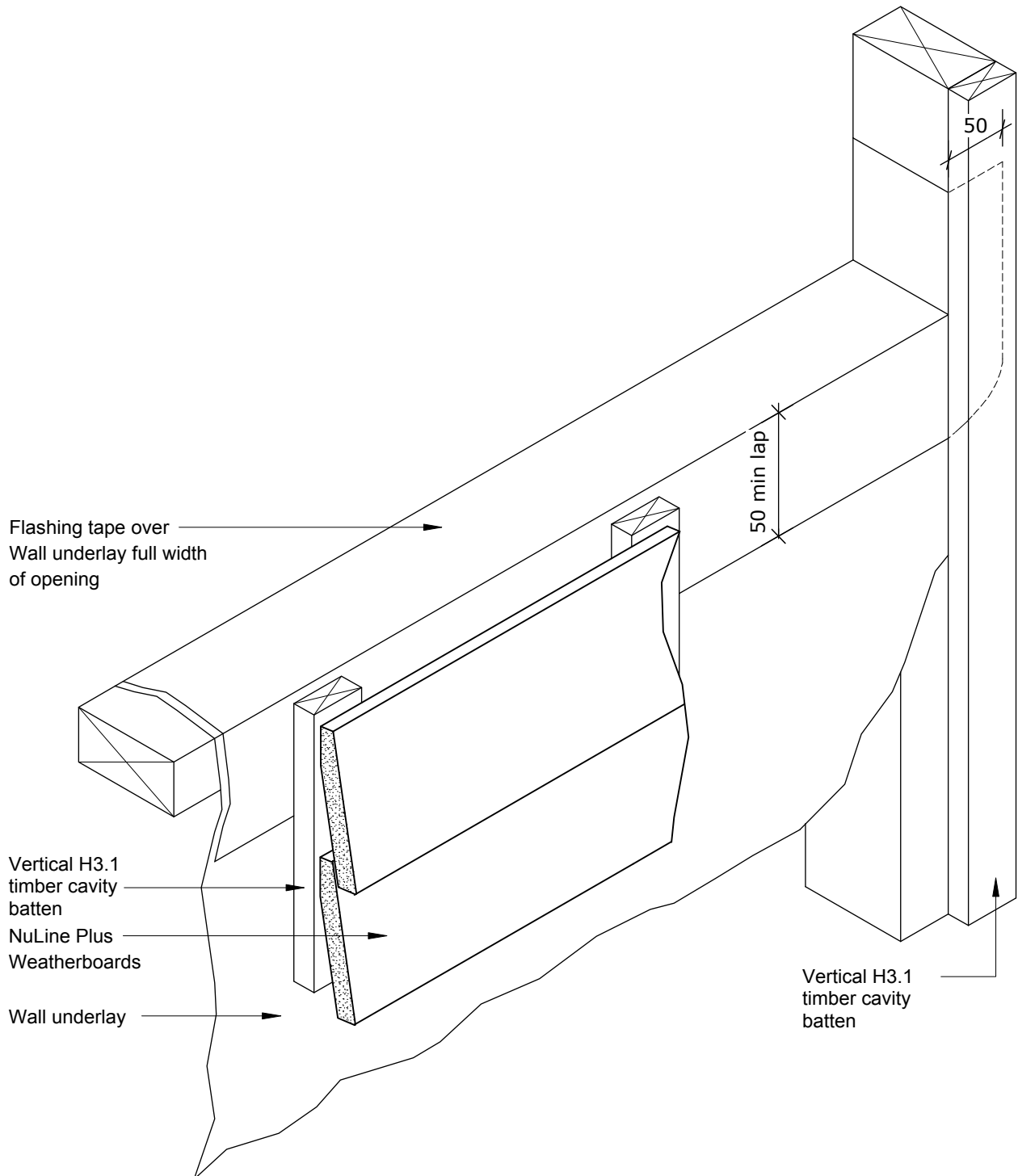
PROFILE NuLine™ Plus Weatherboards

DATE Sep 2012

DETAIL Window Head/Jamb Junction
Detail Direct Fixed

SCALE 1:5 @ A4

DETAIL NO. NU-26 D

BGC**Fibre Cement**

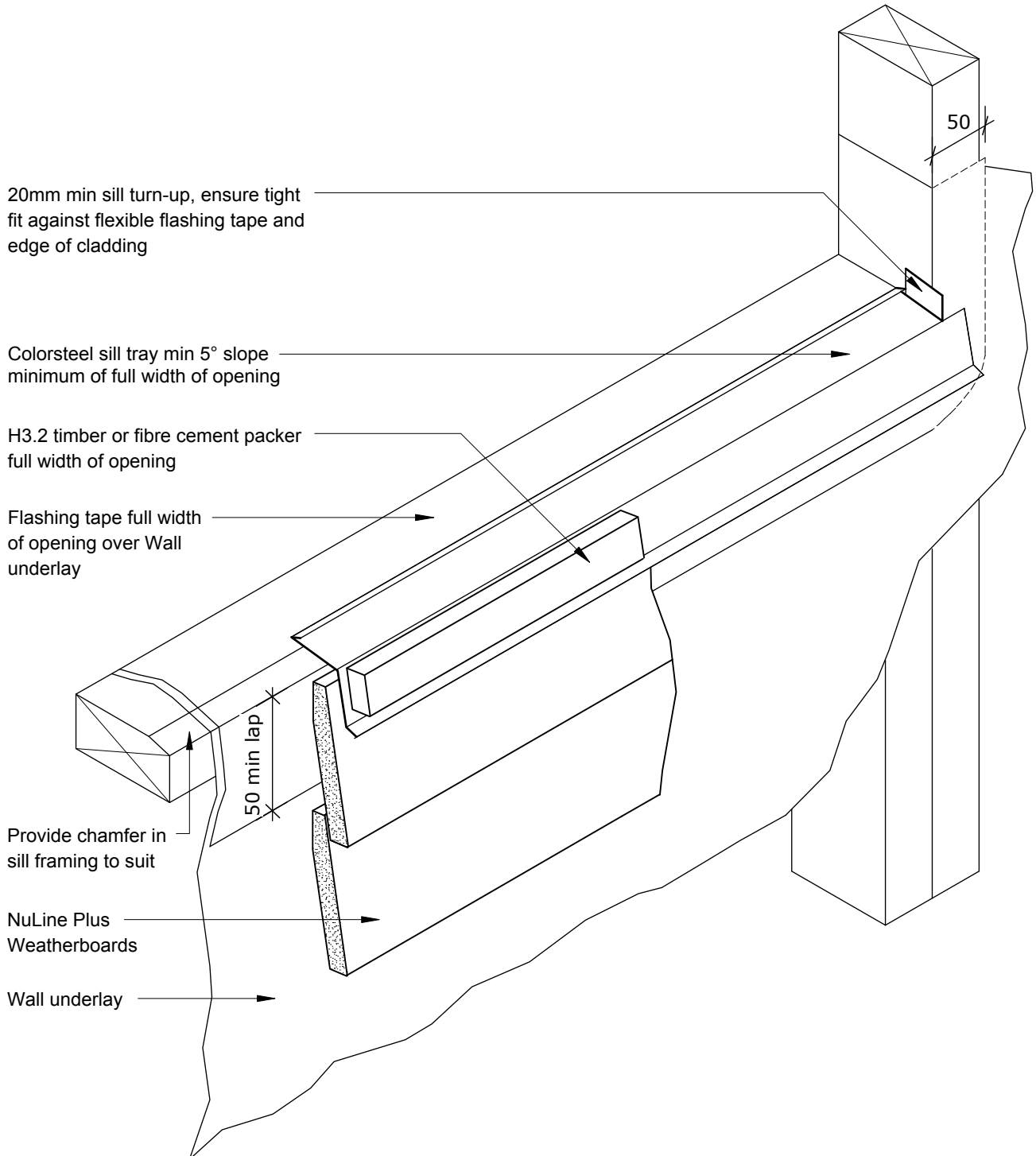
PROFILE NuLine™ Plus Weatherboards

DATE Sep 2012

DETAIL Window Sill/Jamb Junction
Detail Cavity Construction

SCALE 1:5 @ A4

DETAIL NO. NU-27

BGC**Fibre Cement**

PROFILE NuLine™ Plus Weatherboards

DATE Sep 2012

DETAIL Window Sill/Jamb Junction
Detail Direct Fixed

SCALE 1:5 @ A4

DETAIL NO. NU-27 D