

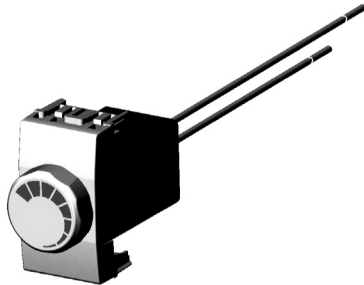


ROTARY DIMMER CONTROL



PDL

Cat 834LM Leading Edge Dimmer



450W

Installation and consumer instructions for Cat 834LM Dimmer Control Module

OPERATION

The 800 series dimmer provides smooth dimming control of incandescent lamps, from full brightness down to soft candle glow. The new easy grip knob can be adjusted simply by turning to set the desired level of illumination. The new electronic design of the PDL 834LM eliminates dimmer buzzing and humming even at minimum light settings, as well as incorporating the use of a soft start ramp on feature.

SPECIFICATIONS at 25°C

Supply voltage:	220-240 Volts a.c.	Complies with:	AS/NZS3100 and AS3133
Frequency:	50Hz	EMC compliant:	
Maximum load:	450W (1.8A)	Approval no:	V41
Minimum load:	20W (0.1A)	Control:	Leading Edge. Phase control

Protection: Thermal overload compensation. Automatically reduces lamp brightness if overloaded. Overload should be avoided.
Dims most brands of low voltage halogen lighting supplied by wire wound transformers.

WARNING: It is recommended that incandescent lamps are mounted with the lamp uppermost.

Table 1

Load Type:		Max Load	Comments
Incandescent globes.	✓	450W	
240Volt halogen lighting.	✓	450W	
Resistive loads.	✓	450W	
Low voltage halogen lighting supplied by electronic transformers.	X	N/R	Not recommended. Use PDL cat 824TM
Low voltage halogen lighting supplied by wire wound transformers.	✓	450W	Check transformer specifications to ensure dimming is possible with brand selected
Products using ballast or inductors of any type.	X	N/A	Includes fluorescent lighting
Motor speed control.	X	N/A	Not suitable. Use PDL cat 825F or 825FM

Plate mounting.

Due to the additional heat dissipation created by multiple units fitted to one plate, the total loading of each dimmer must be de-rated as per table 2. A maximum of 3 dimmer modules can be fitted to one PDL 800 series grid. A flush box is recommended to house the dimmer(s). All loose debris should be cleared from the wall cavity for maximum ventilation.

Table 2.

No of Dimmers	Max Load per dimmer.
1	450W
2	350W
3	250W

Double Grid Mounting

When mounting dimmer modules into a double grid (800G2V or 800G2H), the de-rated maximum loads as per table 2 still apply. No more than three dimmer modules should be fitted.

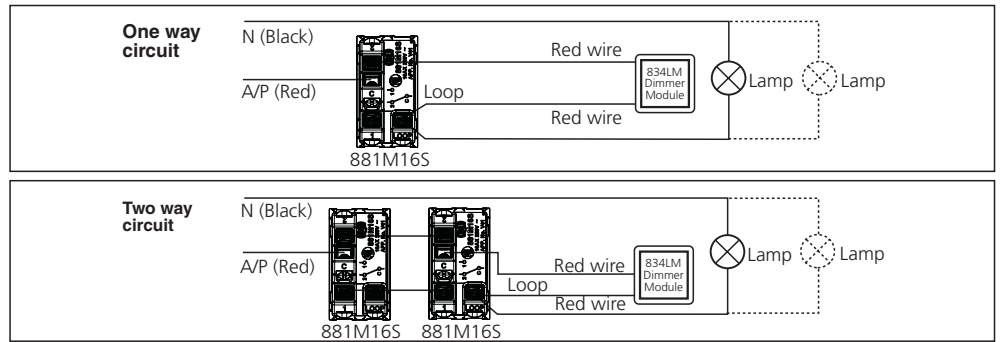
WIRING/INSTALLATION INSTRUCTIONS

Mounting:

See 800 Series general fitting instruction sheet

Note:

- 1 Prior to installation ensure the maximum rated load and load type are not likely to be exceeded.
- 2 The dimmer operates in series between phase and load. **Do not** connect supply P&N across dimmer as this will result in damage and void the product warranty.
- 3 Not suitable for inductive loads such as fluorescent lamp loads or appliances with electric motors.



INSTALLATION ONTO PLATE

Note:

After installation please ensure a copy of the instructions remain at the installation site.

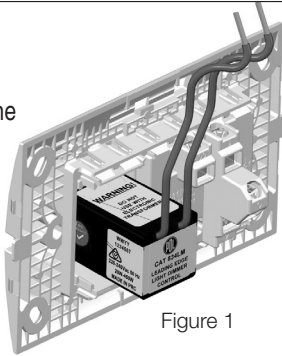


Figure 1

SETTING MINIMUM BRIGHTNESS

It is important to set the minimum brightness before fitting the dimmer knob. We recommend for safety reasons that the minimum brightness is set at a visible level. When the dimmer unit is wired up as per the installation instructions and mounted into the surface plate, switch on the power.

- 1 Turn the splined shaft carefully by hand until the desired minimum brightness is obtained.
- 2 The dimmer knob should then be fitted, ensuring that the thin end of the gradient scale is at the bottom lined up with the vertical (see figure 2).

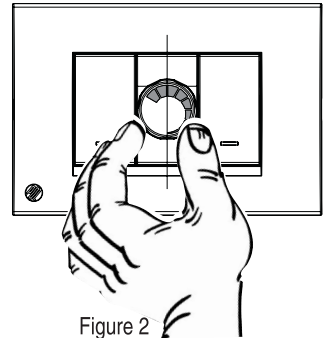


Figure 2

TROUBLESHOOTING GUIDE

Symptom	Cause	Solution
Dimmer hot	Incorrect load type, most possibly excessive load	Check wiring and load. Refer to specifications table 1.
Lights go off.	a Blown light globes b Lighting Circuit protection operated	Replace light globes. Check fuse or circuit breaker and lighting circuit for overloading.
Lights go dim	Load exceeds 450W	Reduce load to 450W or less
Dimmer not operating	Incorrect wiring	Check circuit and correct wiring.
Full dimming range not available	Incorrect positioning of knob	Remove knob and re-check instructions
Flickering or interference on circuit or surrounding circuits	A combination of wire wound and electronic transformers or unit subjected to over voltage spikes	Check wiring and load refer to specifications table 1 Unit should be checked if problems persists

At certain light levels it is possible wirewound low voltage light transformers may emit a buzz. This is usually due to the transformer design and manufacture and can be minimised by isolating the transformer from areas of the structure that can perform as amplifiers.

Wirewound low voltage transformers should not be covered or mounted in enclosed areas. This can cause the transformer to overheat, as it is a characteristic that losses in these devices cause a significant amount of heat to be generated.

IMPORTANT

Ensure all work is undertaken by a Registered Electrical trades person only.

WARRANTY

This product is guaranteed for a period of twelve months from the date of purchase against defects in workmanship and materials. Defects will be rectified by replacement of the product purchased except where, at our discretion, minor adjustments can be undertaken.

The guarantee become invalid if in our opinion the product has been misused, abused, incorrectly installed, tampered with, connected to a power supply not corresponding with specifications, or subject to power surges. The guarantee does not include any labour or other associated expenses that may be involved in removal or installation of the product.

To obtain a replacement under this guarantee, return the goods (prepaid) to the place of purchase or direct to the Australian/NZ Distributor. Proof of purchase must be supplied.

This product does not contain any user serviceable parts. Spare parts and repair facilities are not available.

This guarantee is in addition to and does not affect your rights under applicable law except where that law expressly provides otherwise. The consumer Guarantees Act 1993 (NZ) will not apply if this product is purchased for the purpose of business.



New Zealand Head Office:
PO Box 15 355, New Lynn,
Waitakere 0640, New Zealand
Telephone +64-9-829 0490, Fax +64-9-829 0491
www.pdl.com.nz



PDL Industries Australia Pty Ltd
Locked Bag 5500, Baulkham Hills Business Centre
Baulkham Hills NSW 2153 Australia
Freephone 1300 735 266, Freefax 1300 735 329
Telephone +61 29851 2666, Fax: +61 29851 2695
www.pdl.com.au

