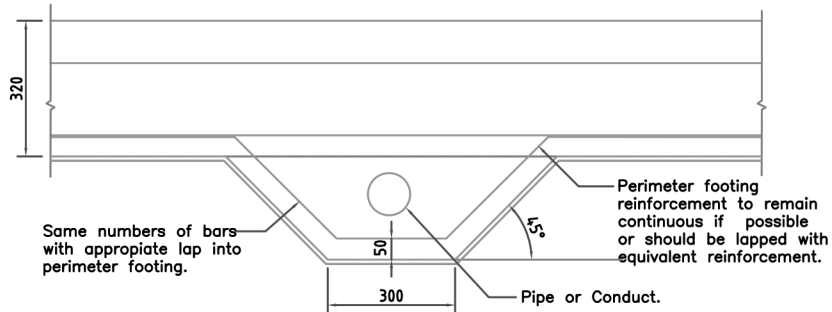
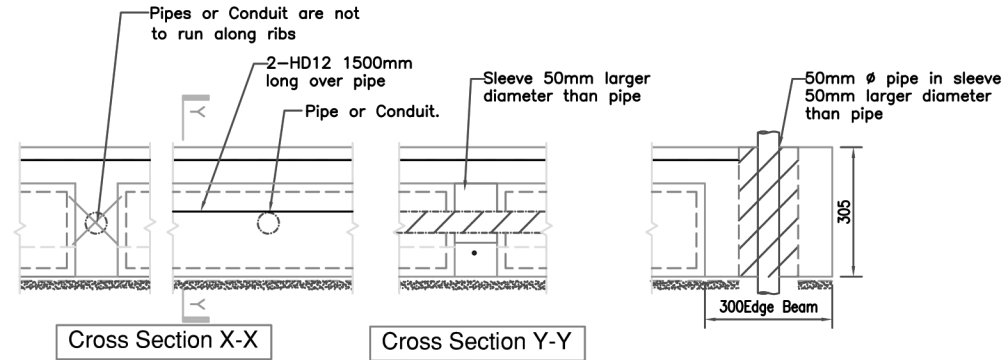
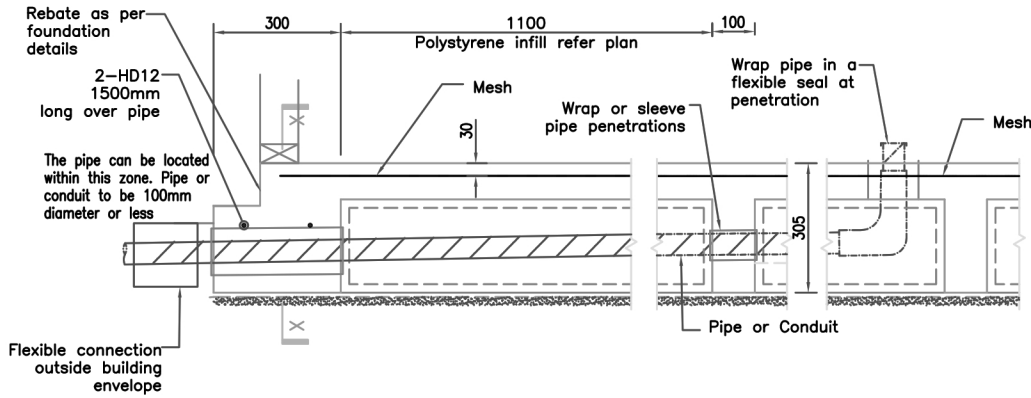


## Pipe Penetration Details For High Seismic Zones

Refer to MBIE Guideline Section A figure S14 & S15 and building code clause G13

### TYPE 1



Typical deepened edge penetration detail for Type 1 for pipes larger than 50mm diameter (100mm diameter max.)

### TYPE 2

