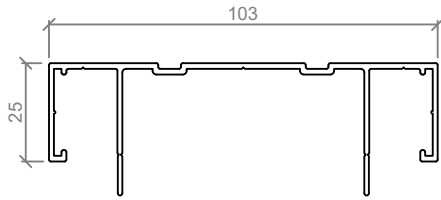


# DesignLine

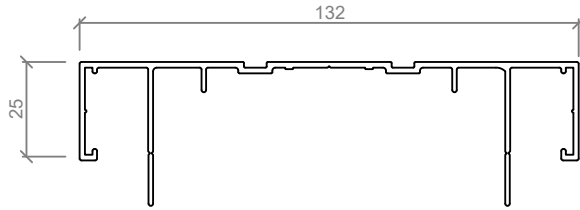
Designline is our answer to low cost office fitouts. The slim 45mm profiles offer a refined minimalistic look without compromising the stability of the walls. Our grooved headsections allow you to easily centre your glazing or door frame after capping the wall, and our door jamb options allow for door widths of up to 50mm.

- Works with all ASL systems
- Designed for ceiling heights under 2.8m
- Includes glazing profile of 44mm x 25mm
- Includes door jambs, glazing bars and mullions
- Can be used independently or in conjunction with ASL head tracks

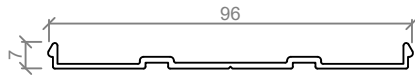
**Standard Suite Profiles** - Suitable for: 64 & 92 Steel Stud, 13mm Plasterboard incl. Glazing Profiles



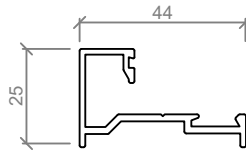
ASL 400  
103mm GROOVED HEADSECTION



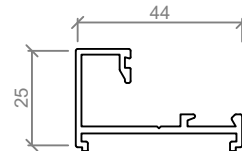
ASL 420  
132mm GROOVED HEADSECTION



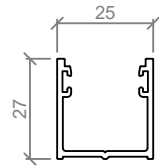
ASL 125  
GROOVED STARTER CAP



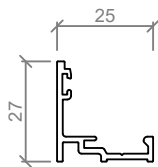
ASL 205  
GLAZING BAR - STANDARD



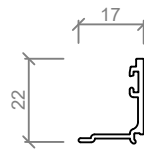
ASL 210  
GLAZING BAR - LEGS



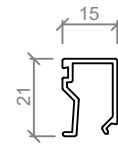
ASL 321  
GLAZING CHANNEL



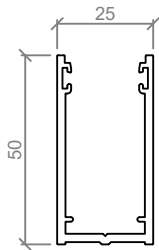
ASL 540  
GLAZING BAR



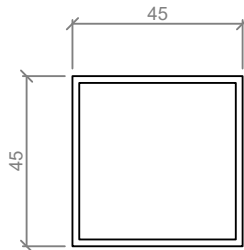
ASL 541  
GLAZING BEAD



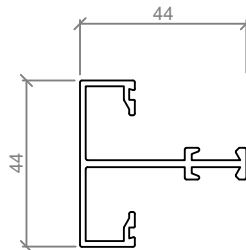
ASL 215  
GLAZING BEAD



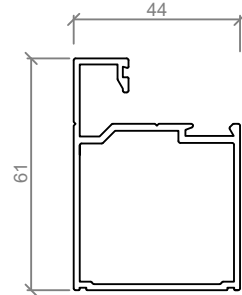
ASL 542  
GLAZING CHANNEL



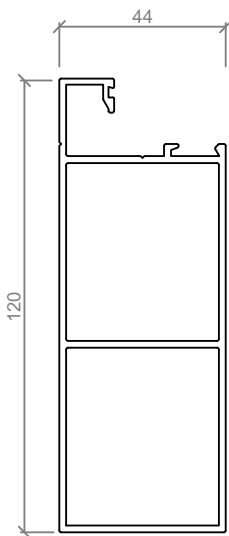
ASL 300  
BOX SECTION



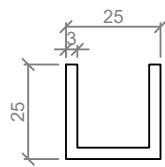
ASL 225  
GLAZING MULLION



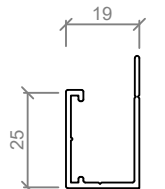
ASL 315  
PILLAR POST



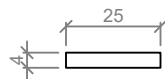
ASL 680  
GLAZING BEAM



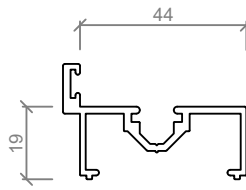
ASL 320  
CHANNEL



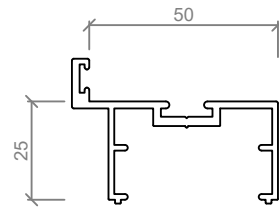
ASL 325  
GIB LINING CAP



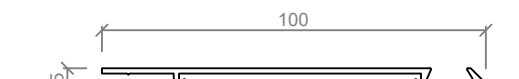
ASL 130  
FLAT BAR



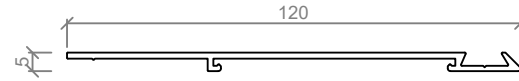
ASL 305  
DOOR JAMB - 40mm



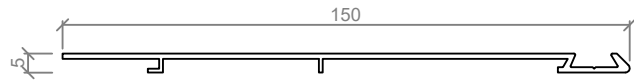
ASL 310  
DOOR JAMB - 50mm



ASL 601  
100mm SKIRTING

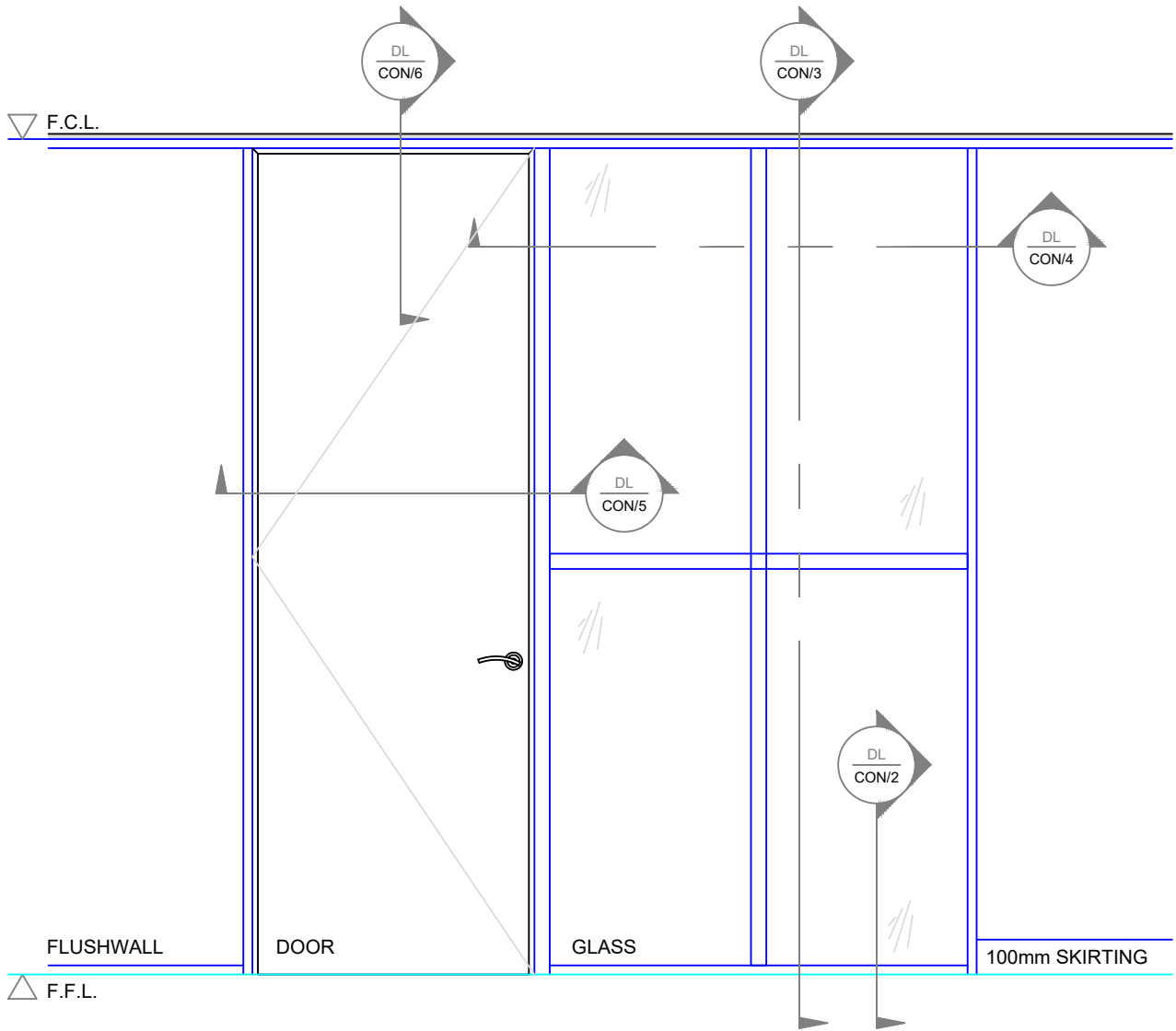


ASL 356  
120mm SKIRTING

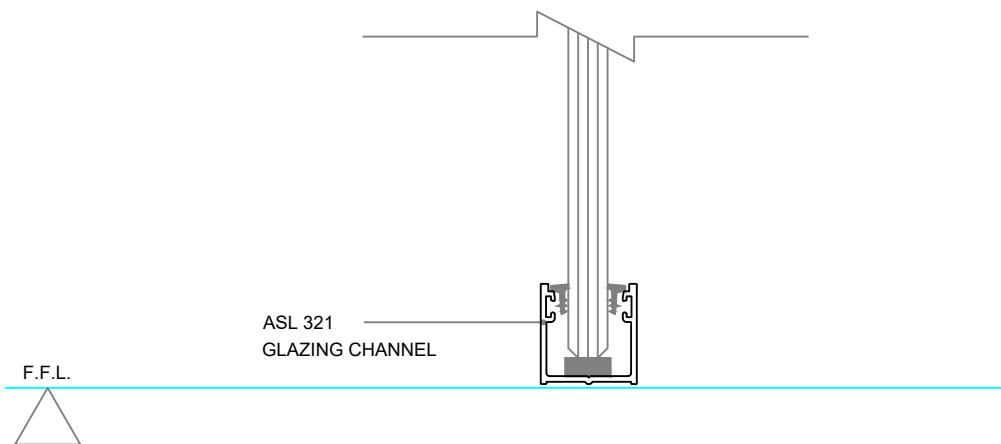
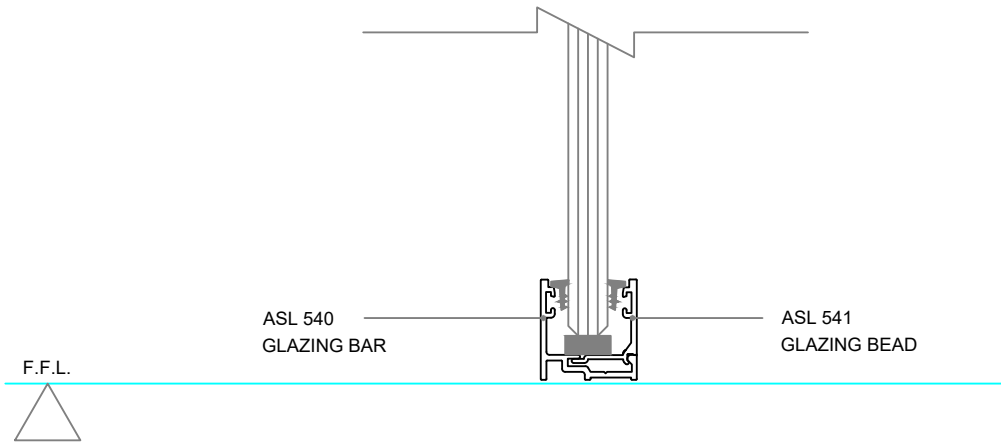
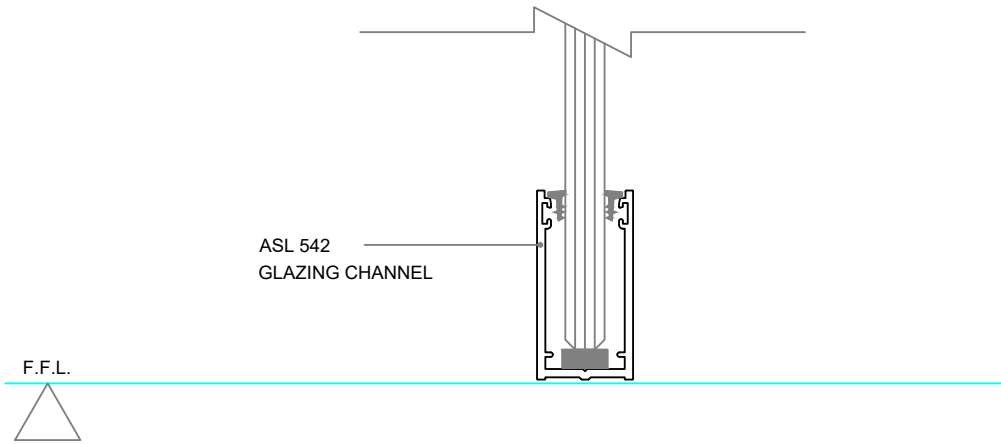


ASL 602  
150mm SKIRTING

**Standard Elevation**

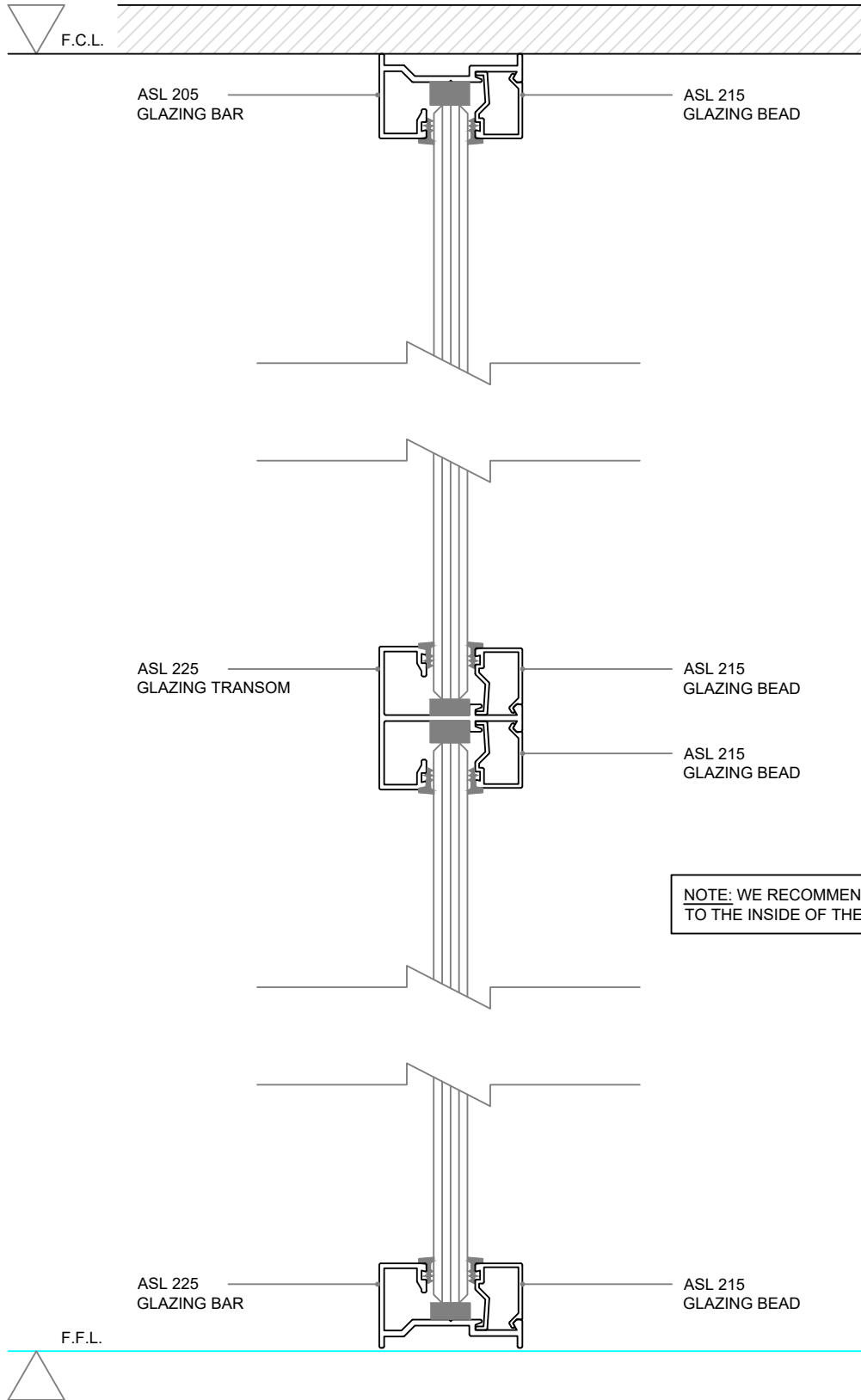


**Standard Details - Door Head, Glazing Channel, Glazing Bar & Bead**

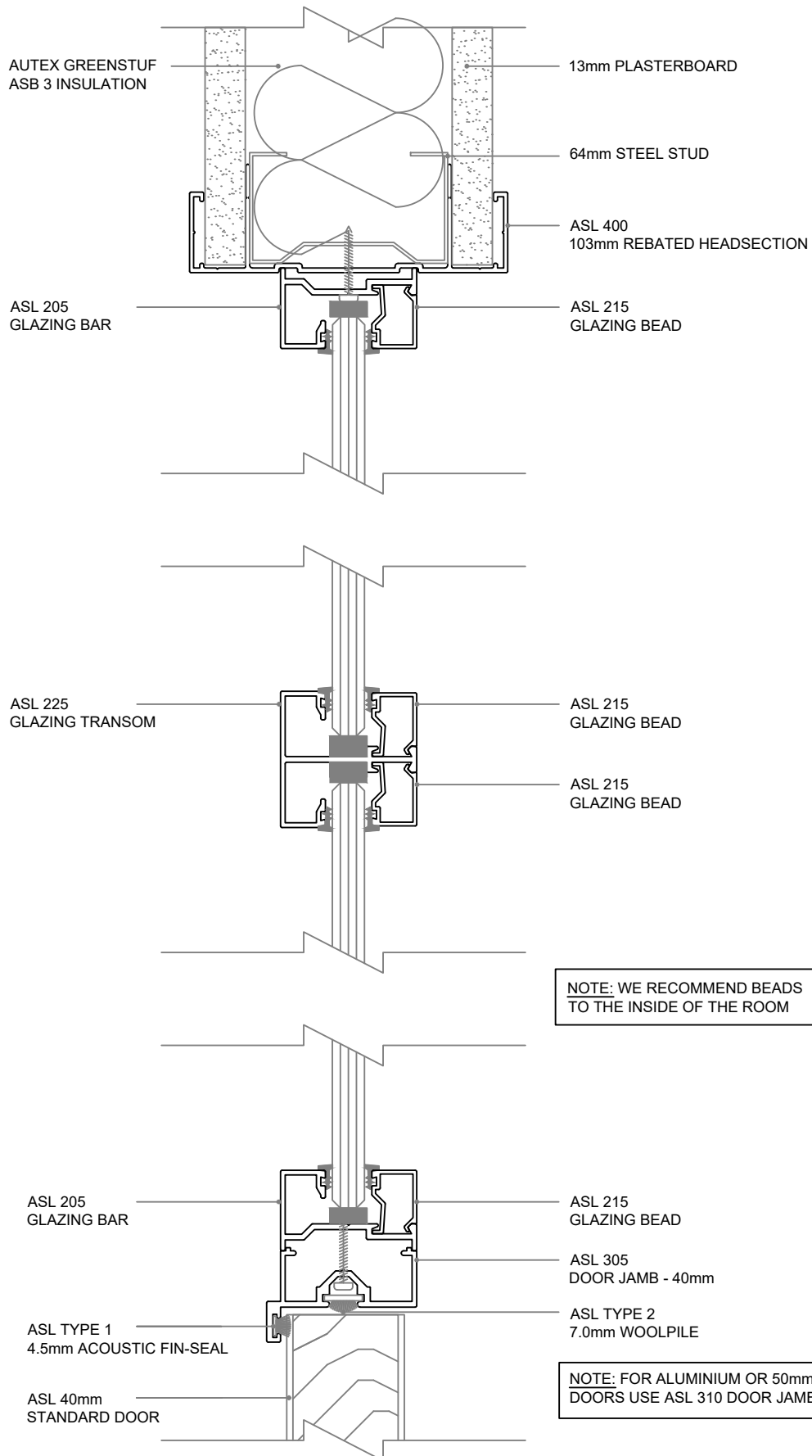


**Standard Details - Full Height Glazed Wall with Transom**

NOTE: WHERE SEISMIC BRACING IS REQUIRED, USE ASL 400 / 205 / 215

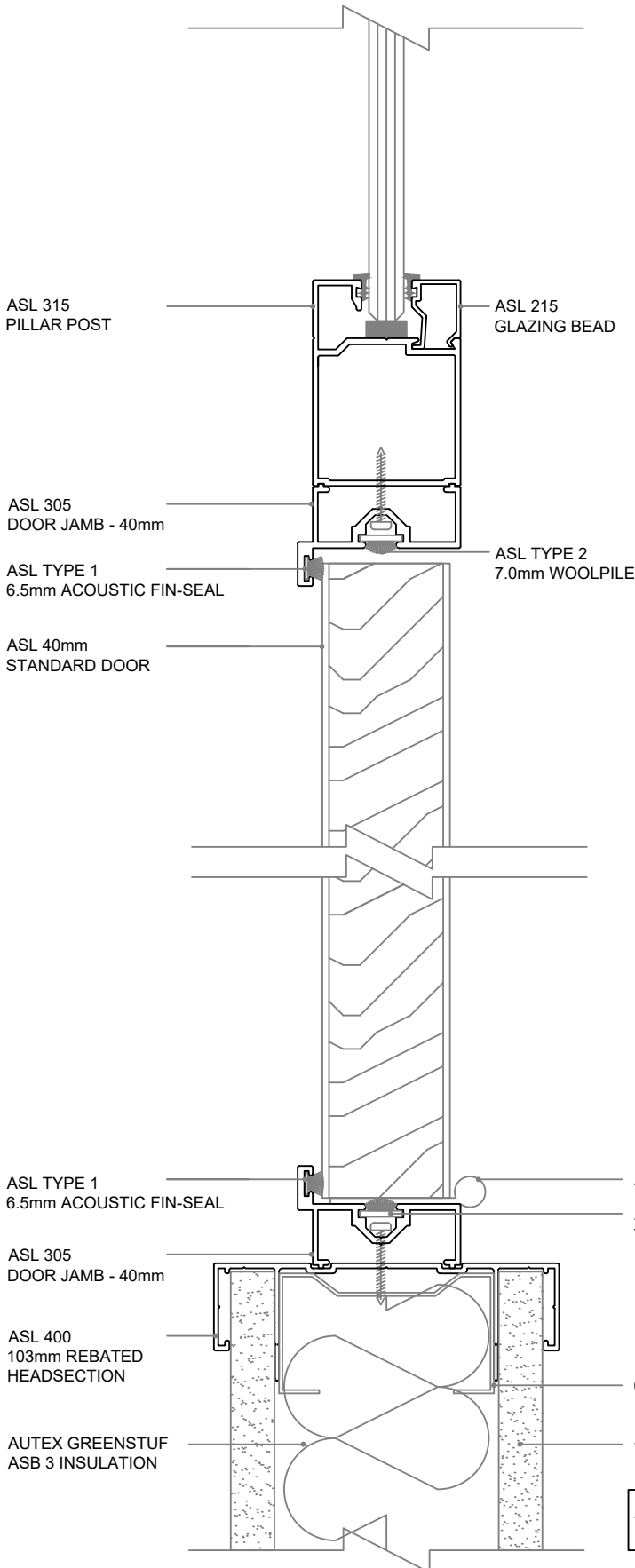


**Standard Details - 64mm Steel Stud, Solid Door, Pillar Post, Glazing**

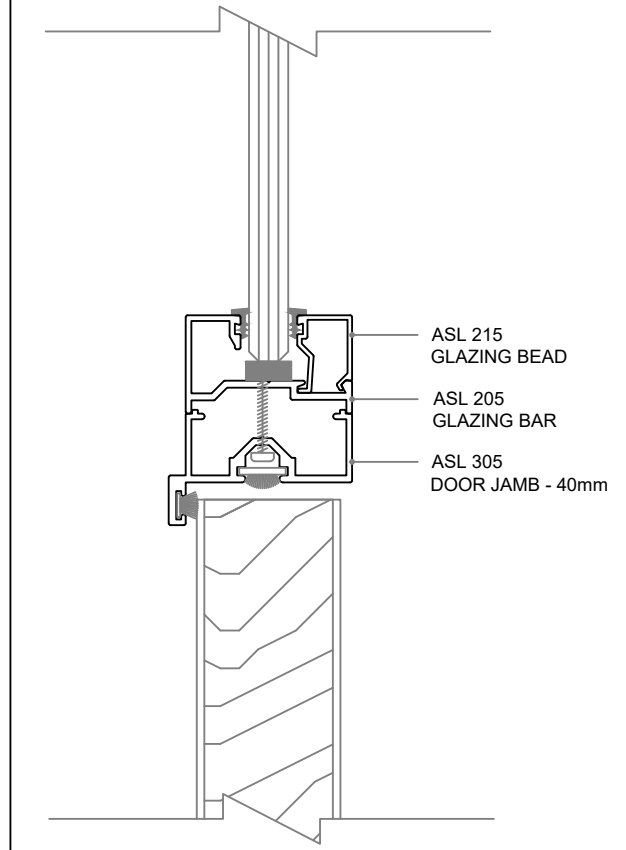


**Standard Details - Solid Door with Mullion, 64mm Steel Stud**

**NOTE: FOR WALLS UP TO 2.8M TALL**



**NOTE: FOR WALLS UNDER 2.3M TALL**



**NOTE: FOR ALUMINIUM OR 50mm DOORS USE ASL DL-310 DOOR JAMB**

**Standard Details - Door Head**

NOTE: HEAD BAR & BEAD TO COVER THE FULL OPENING

