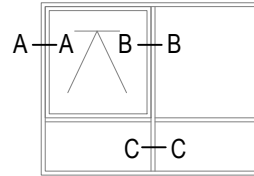
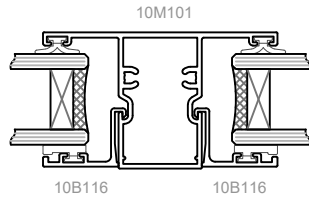


Rev 0

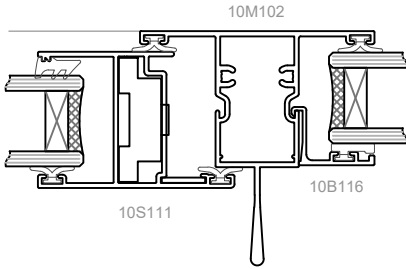


AWNING / CASEMENT WINDOW - STANDARD FRAME

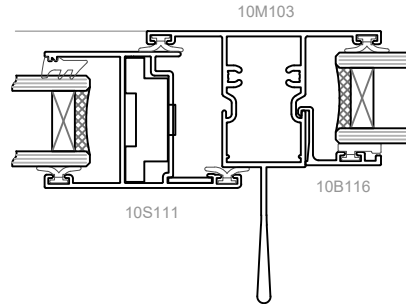
SECTION C-C



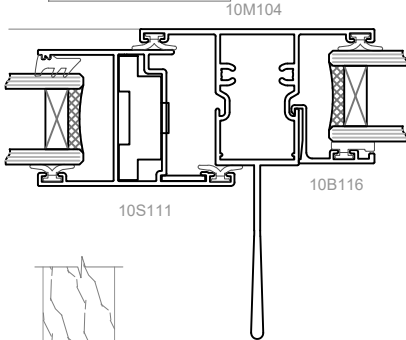
SECTION B-B



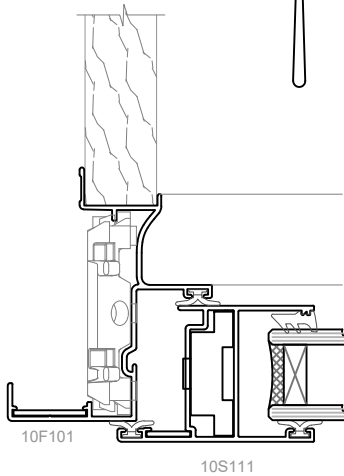
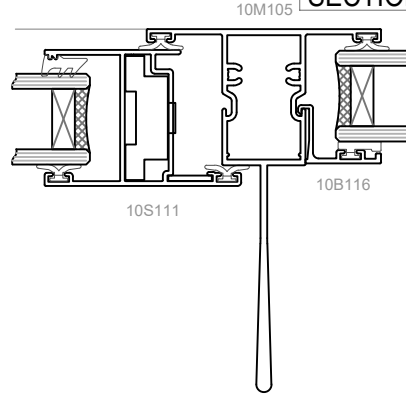
SECTION B-B



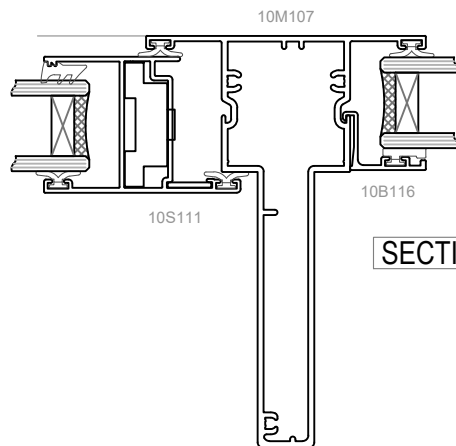
SECTION B-B



SECTION B-B



SECTION A-A

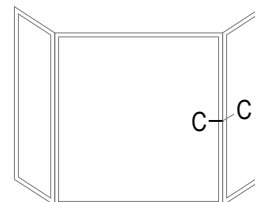
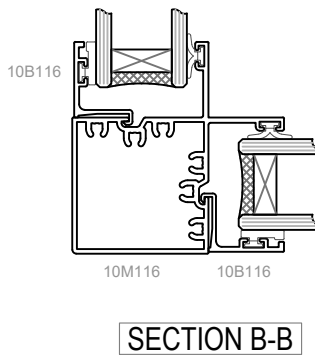
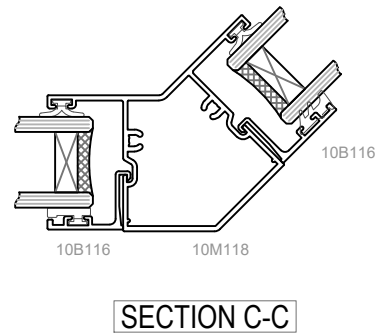
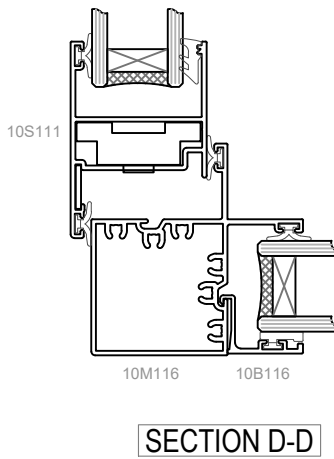
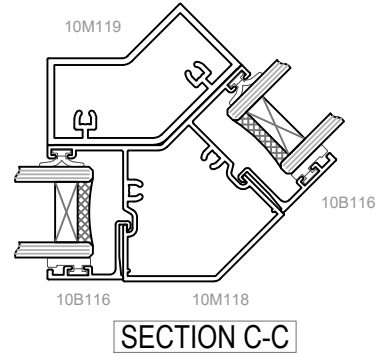
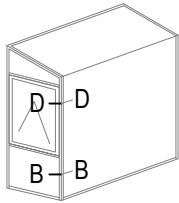


SECTION B-B

AWNING / CASEMENT WINDOW - STANDARD FRAME

Rev 0

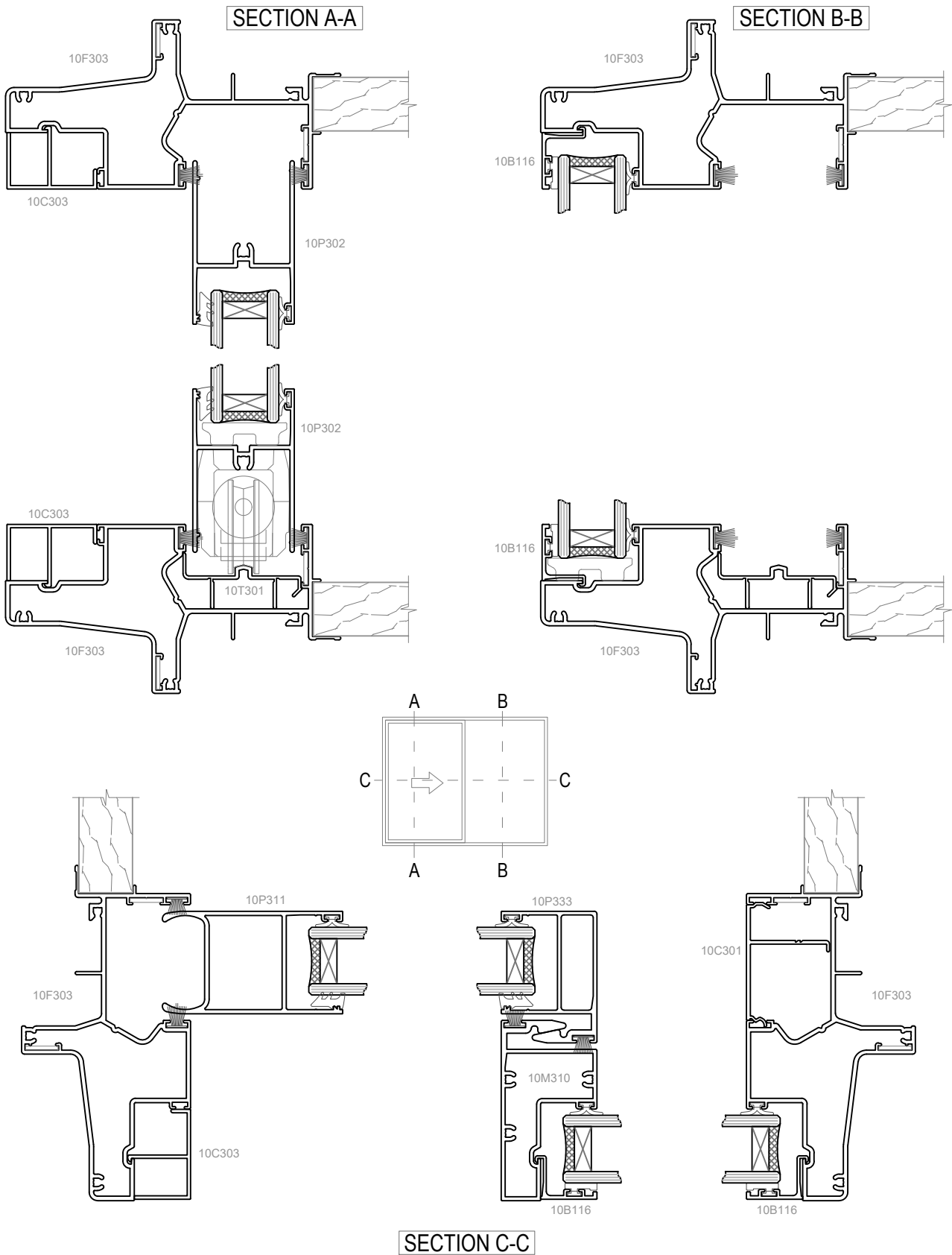




AWNING / CASEMENT WINDOW - STANDARD FRAME

Rev 0

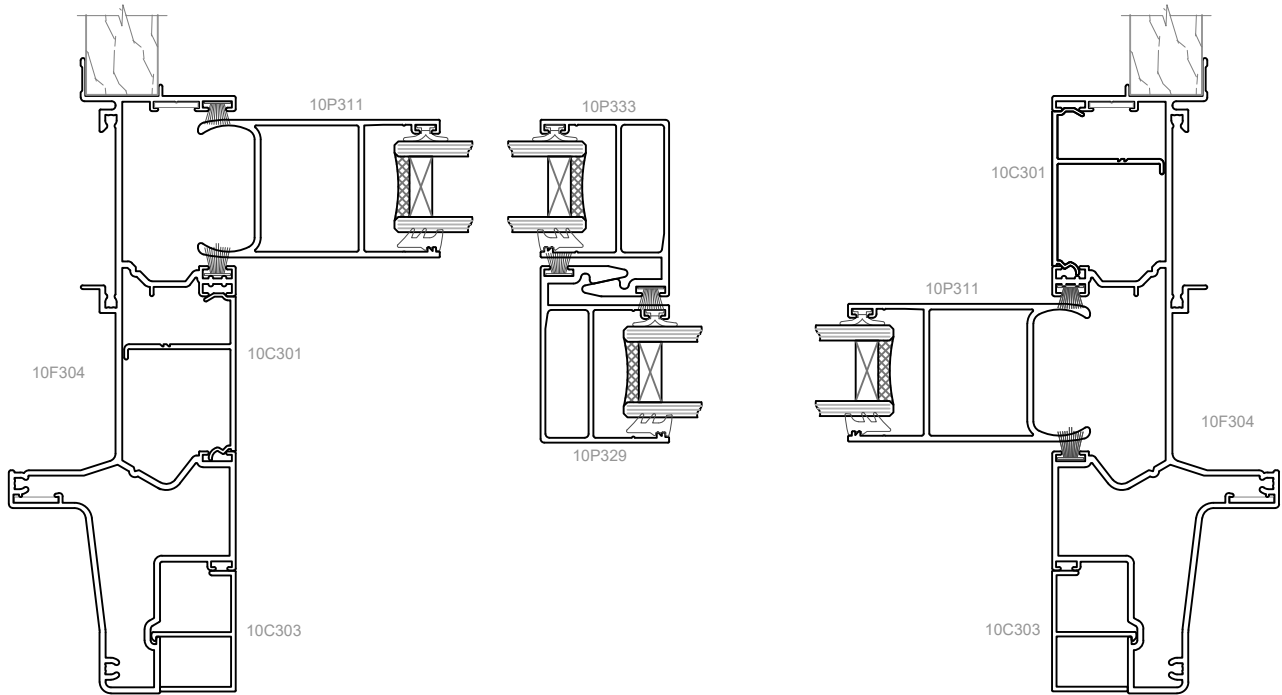




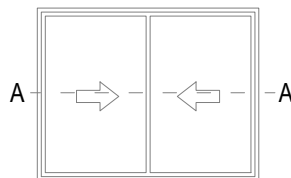
HORIZONTAL SLIDING WINDOW - PROJECTED FRAME

Rev 0

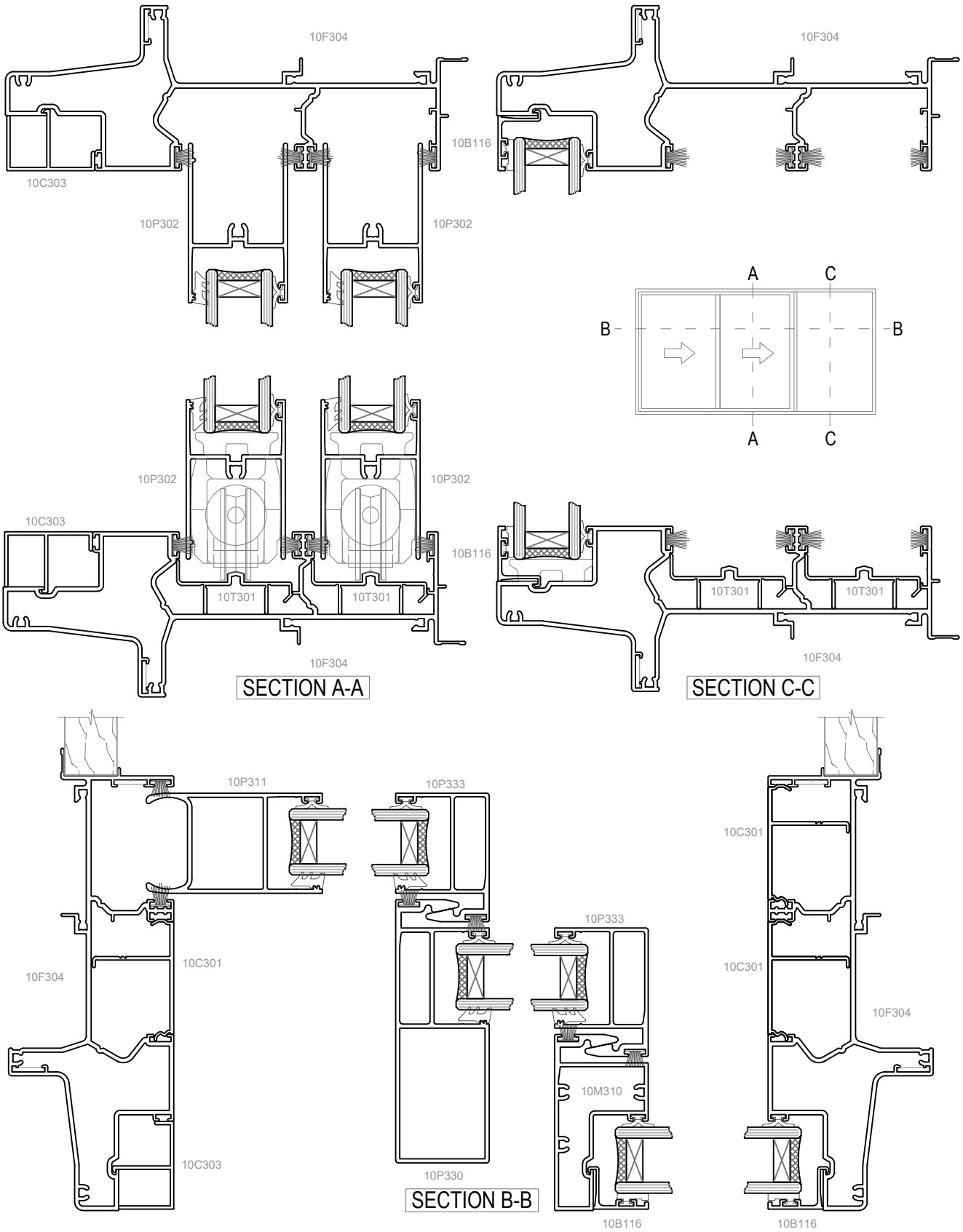




SECTION A-A



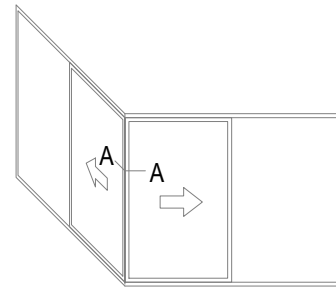
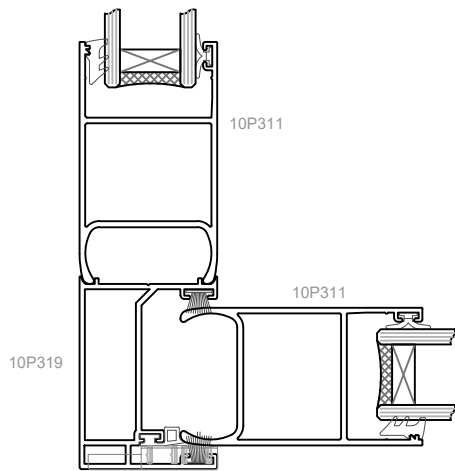
HORIZONTAL SLIDING WINDOW - PROJECTED FRAME



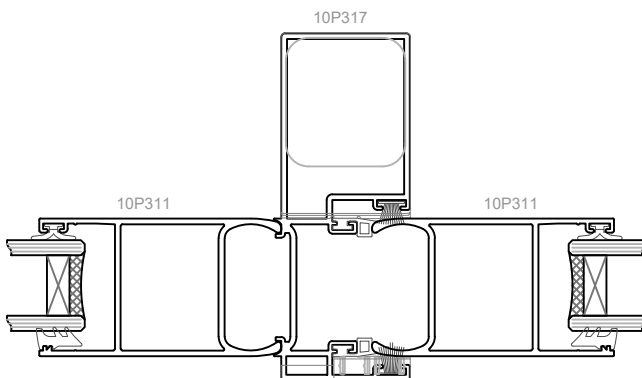
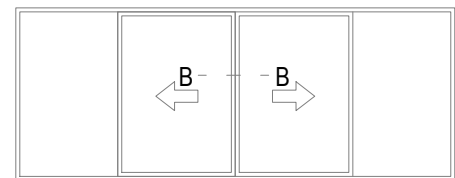
HORIZONTAL SLIDING WINDOW - PROJECTED FRAME

Rev 0



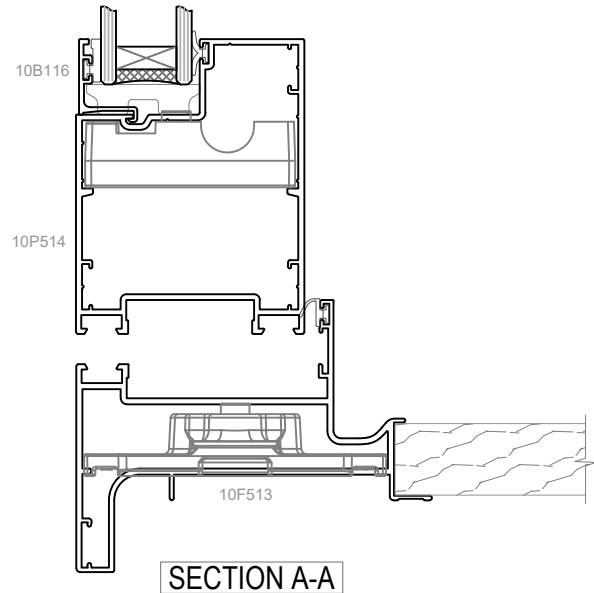
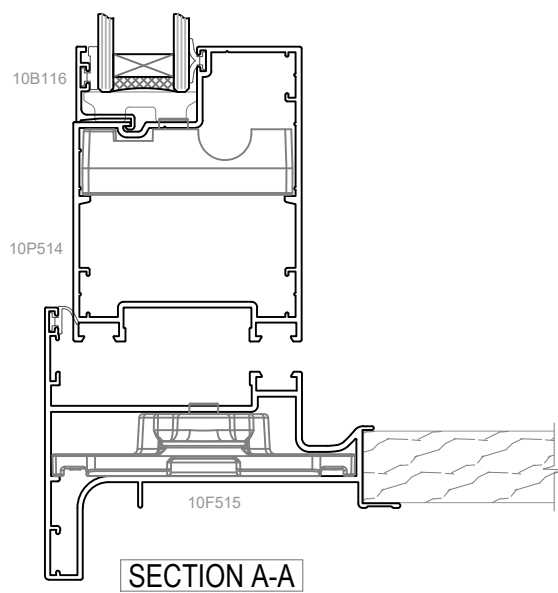
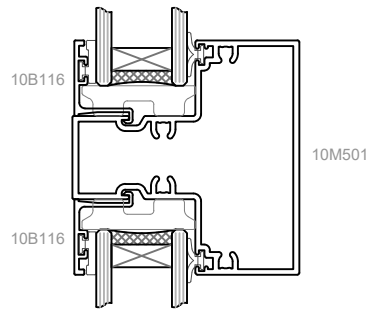
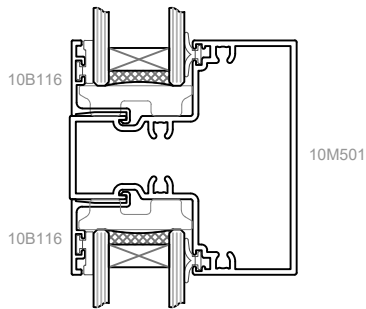
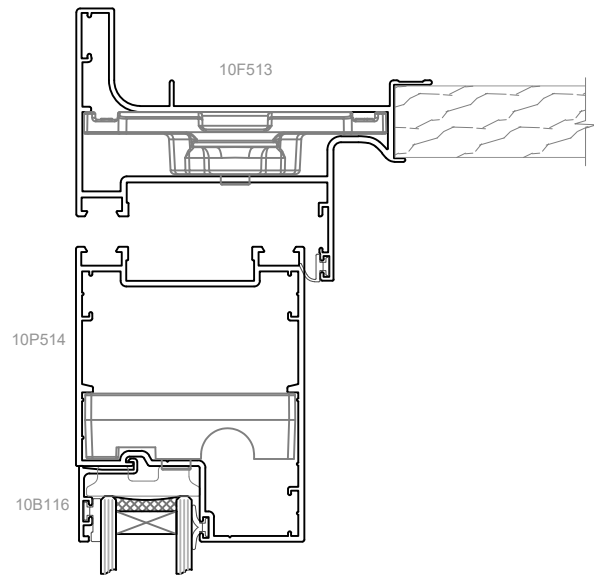
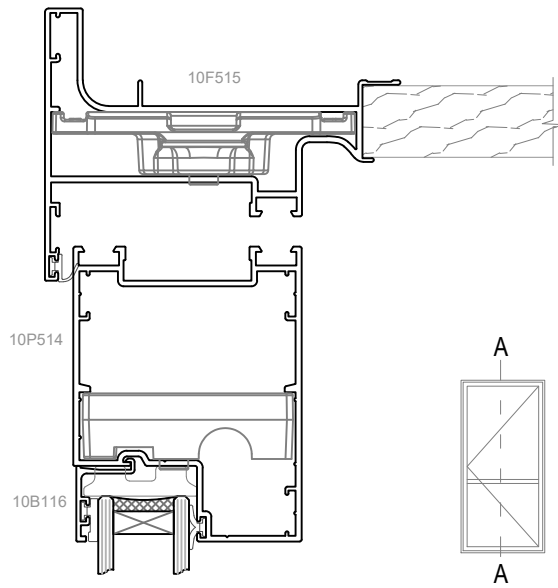


SECTION A-A



SECTION B-B

HORIZONTAL SLIDING WINDOW - PROJECTED FRAME

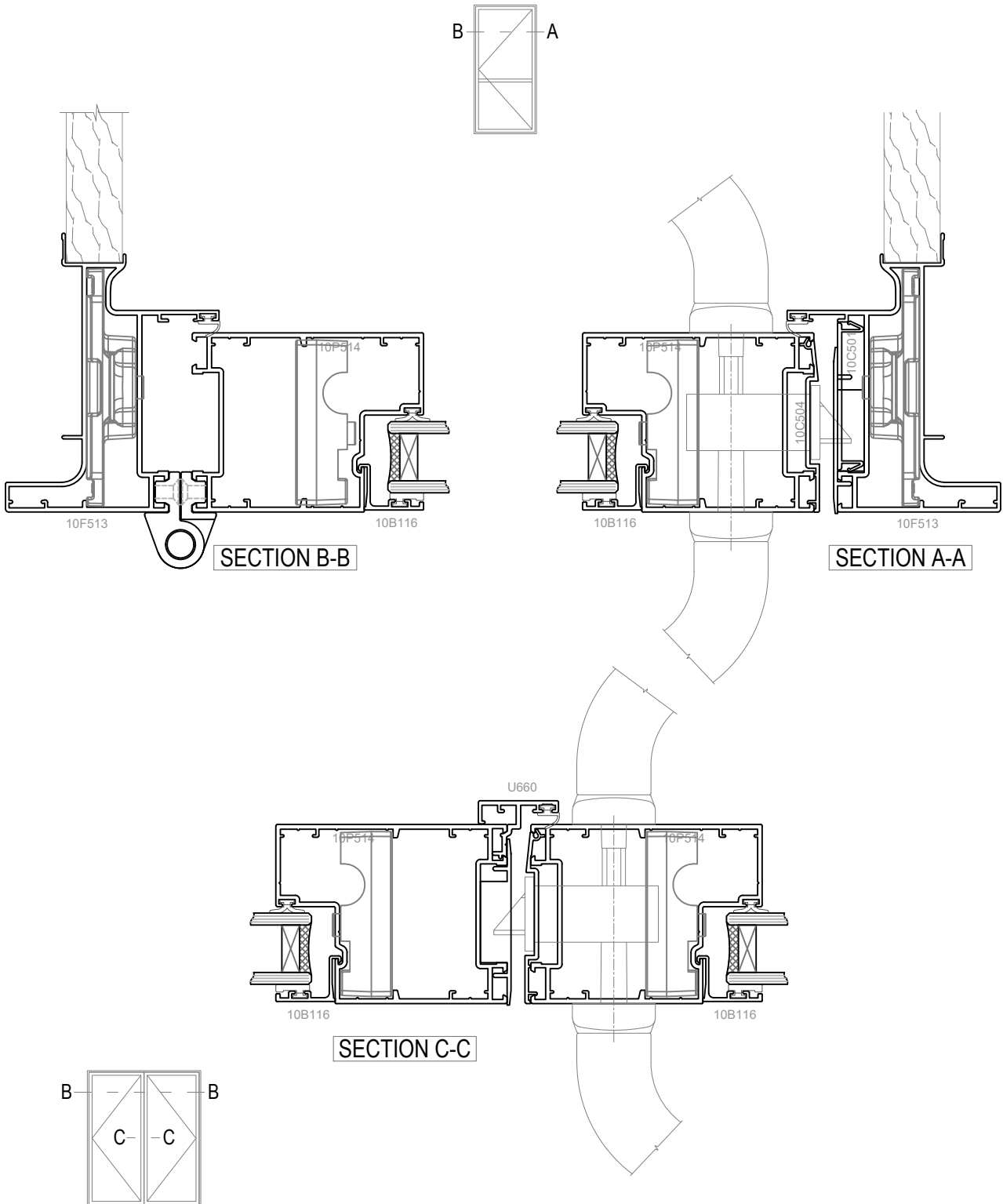


HINGED DOOR

Rev 0



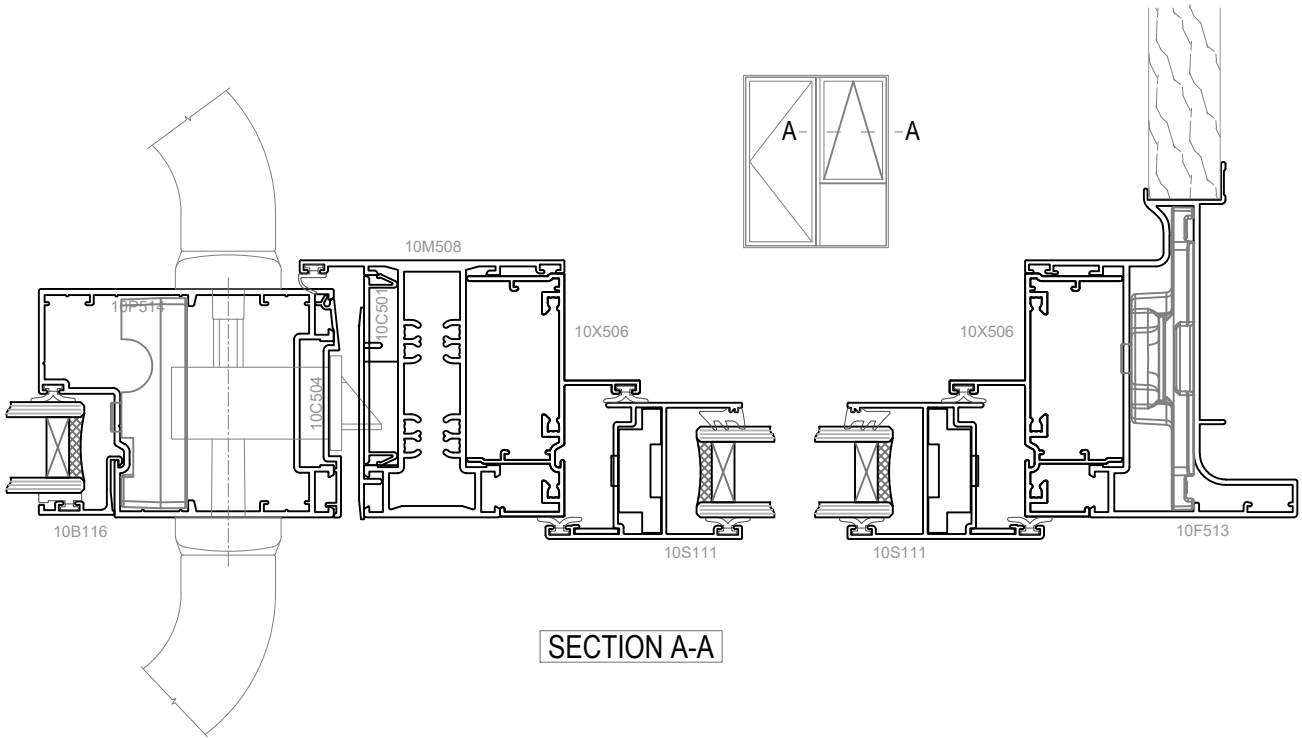




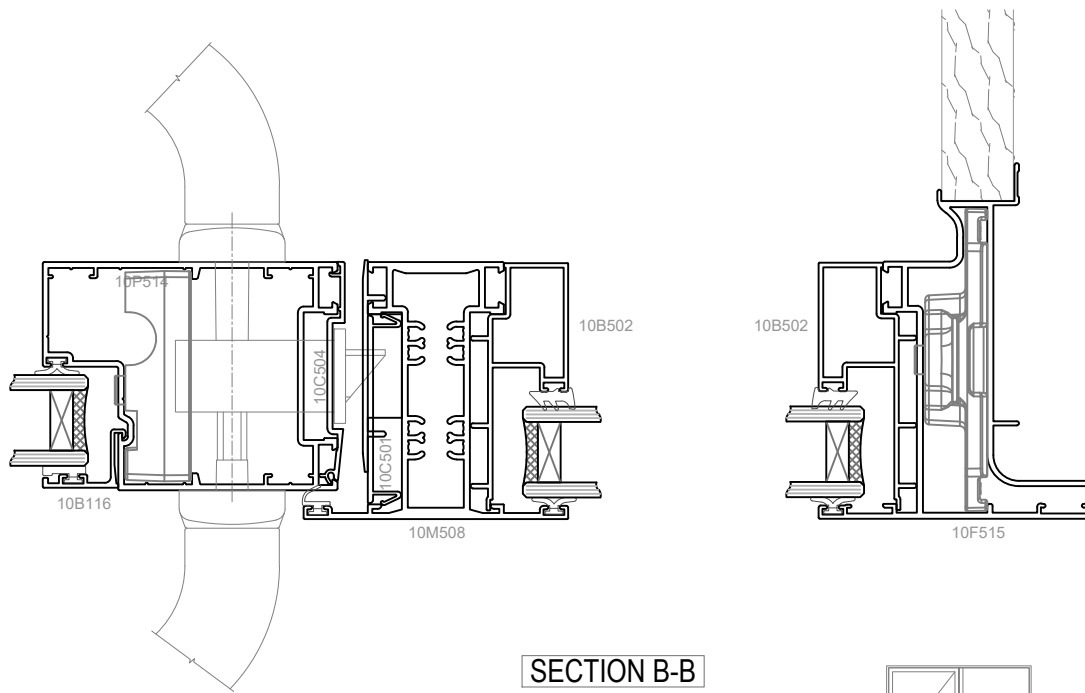
HINGED DOOR

Rev 0





SECTION A-A

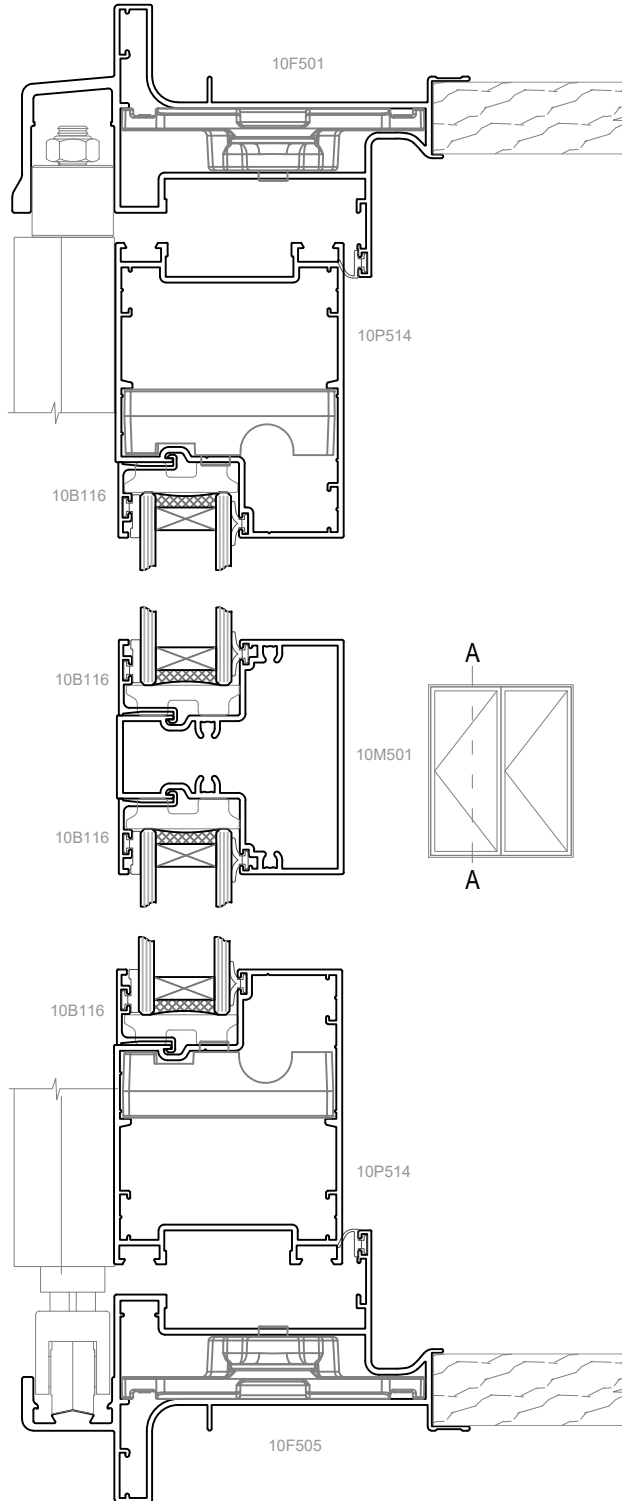


SECTION B-B

HINGED DOOR

Rev 0



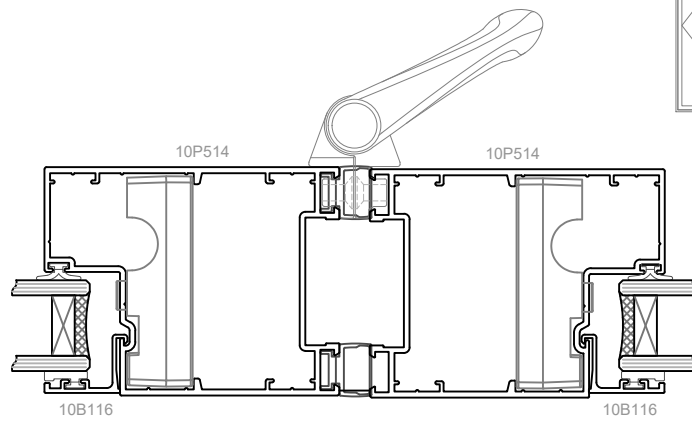
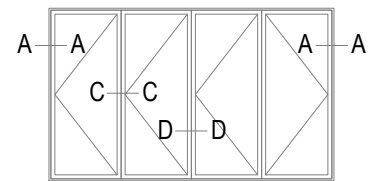
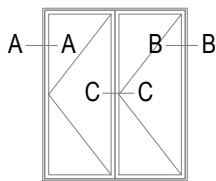
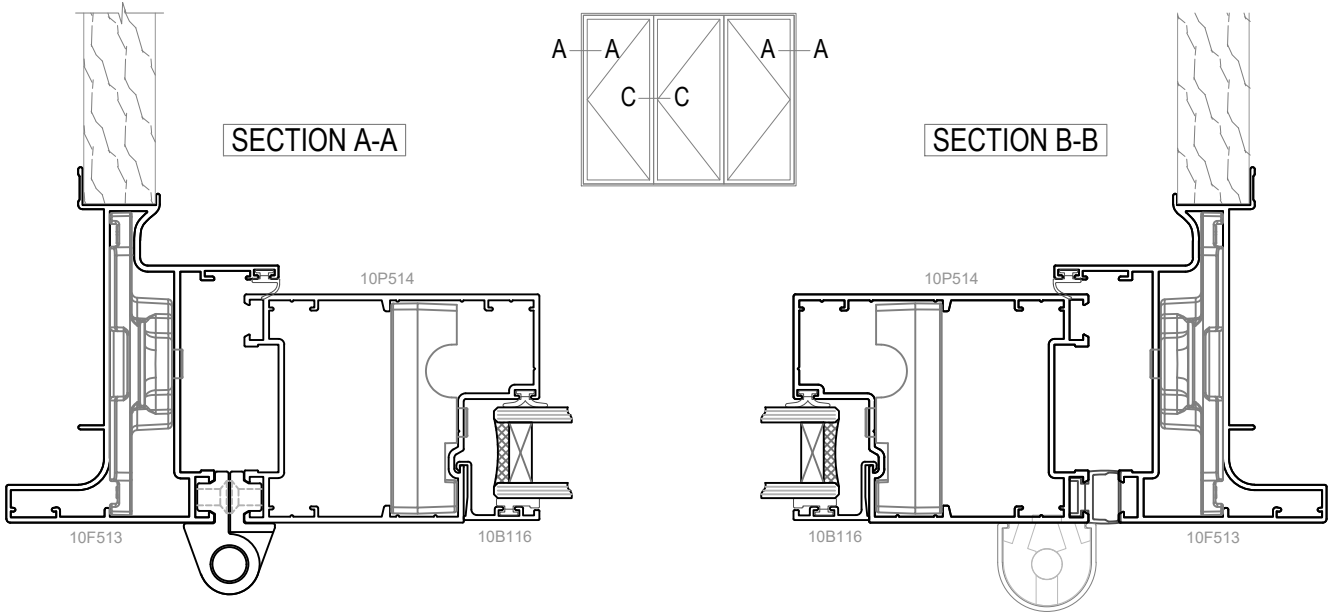


SECTION A-A

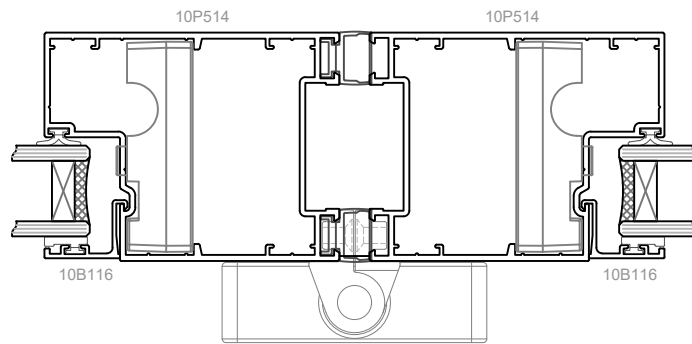
BOTTOM ROLLING BI-FOLD DOOR

Rev 0





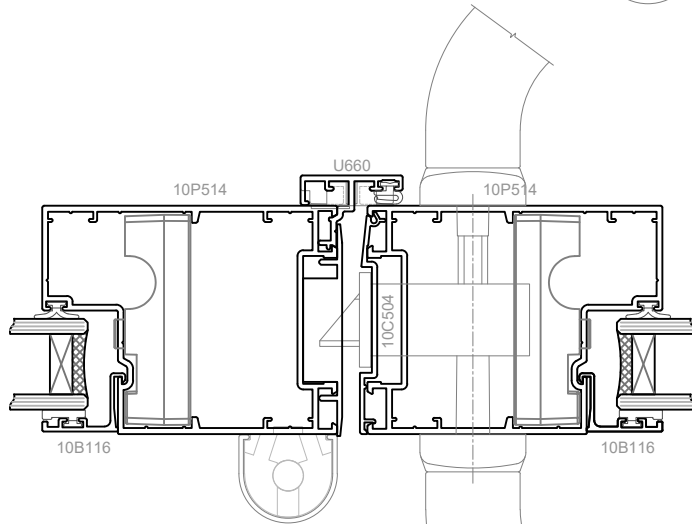
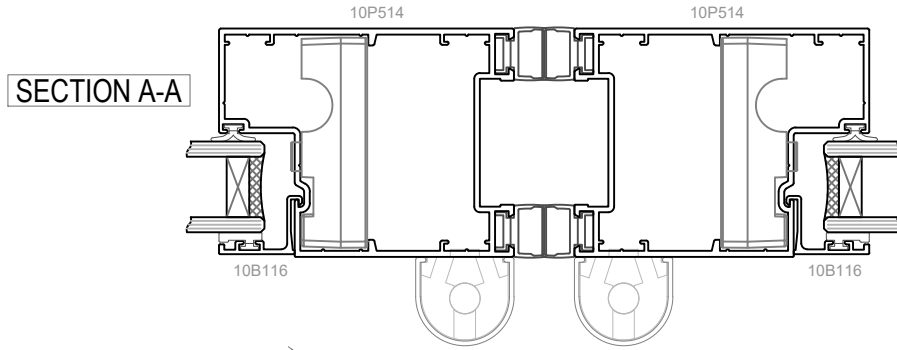
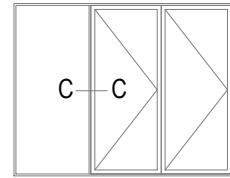
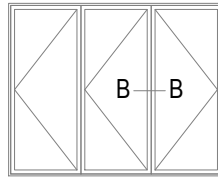
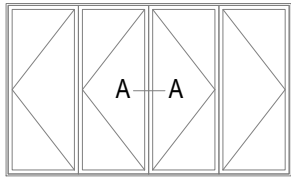
SECTION C-C



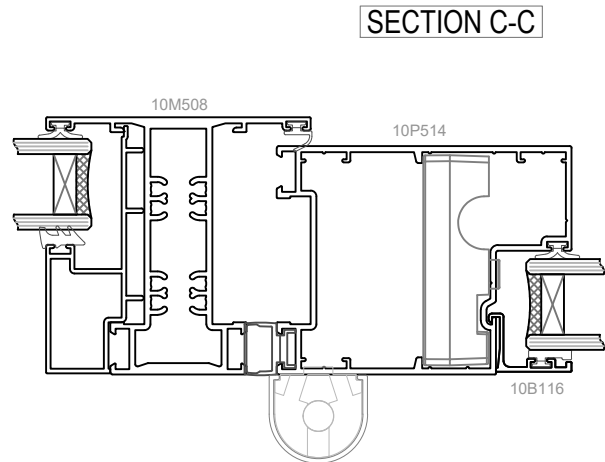
SECTION D-D

BOTTOM ROLLING BI-FOLD DOOR

Rev 0 | 



SECTION B-B

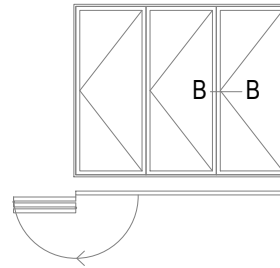
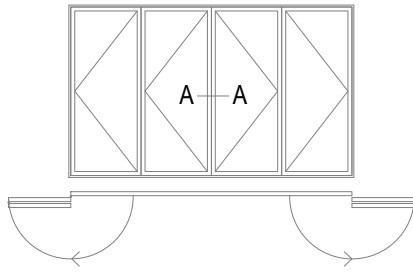


SECTION C-C

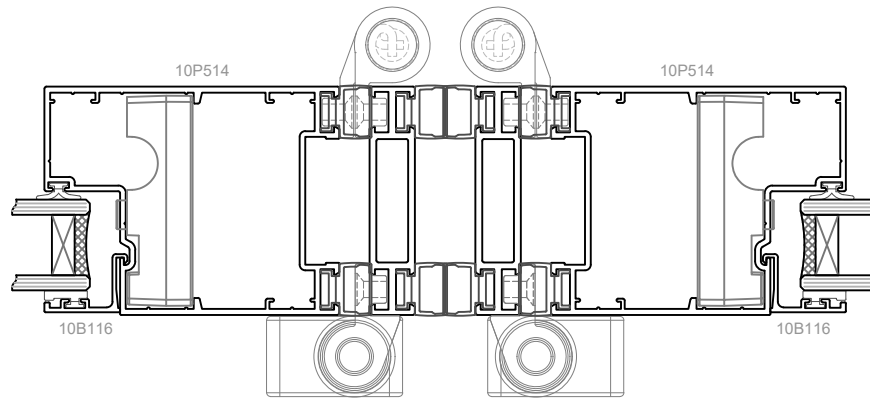
BOTTOM ROLLING BI-FOLD DOOR

Rev 0

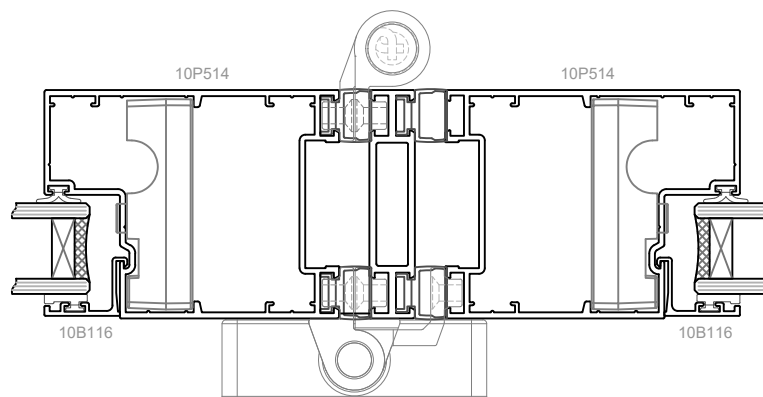




SECTION A-A



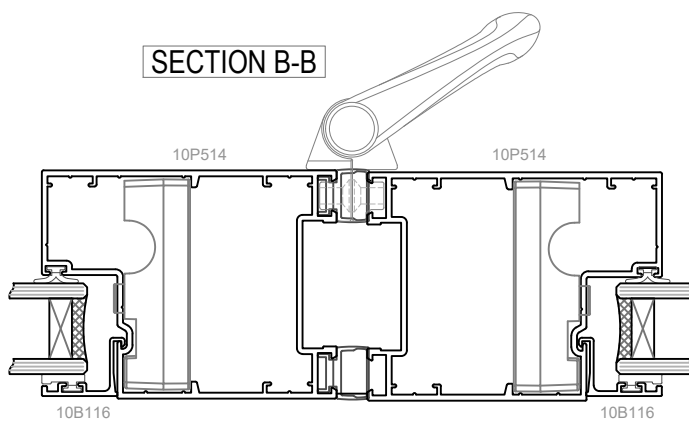
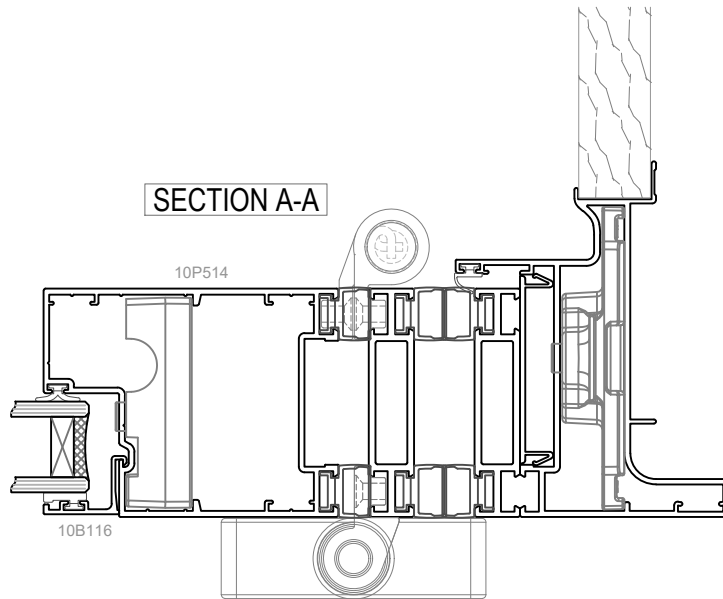
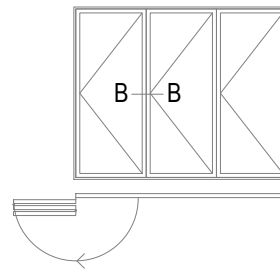
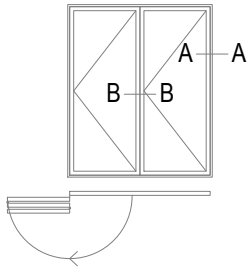
SECTION B-B



BOTTOM ROLLING BI-FOLD DOOR - FREEFOLD

Rev 0

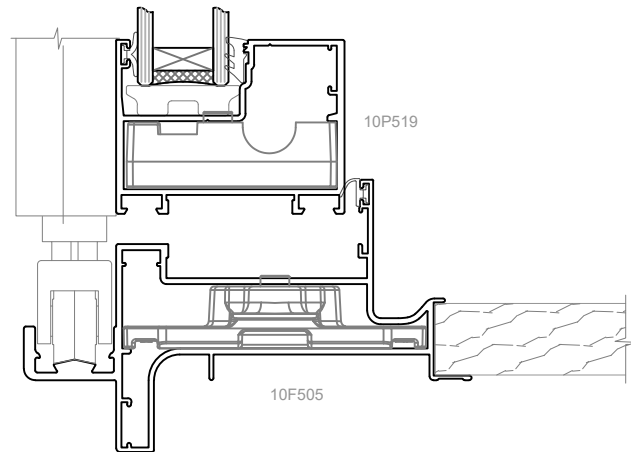
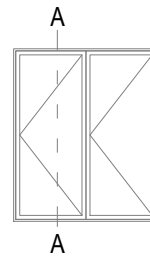
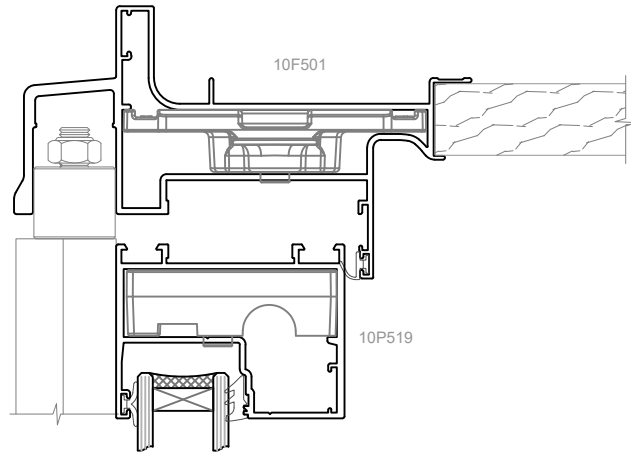




BOTTOM ROLLING BI-FOLD DOOR - FREEFOLD

Rev 0





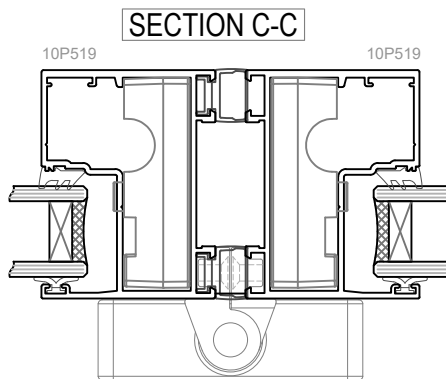
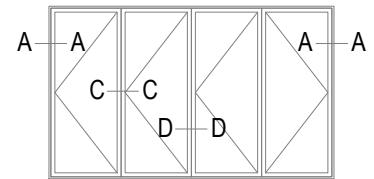
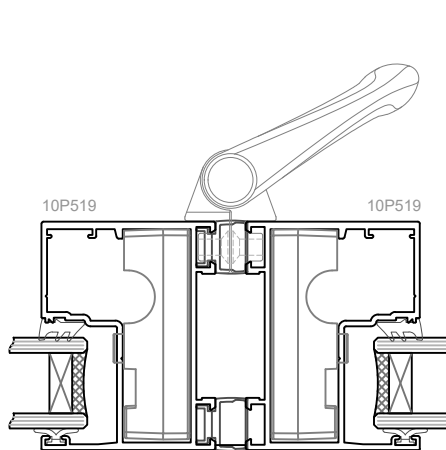
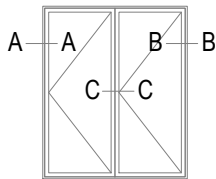
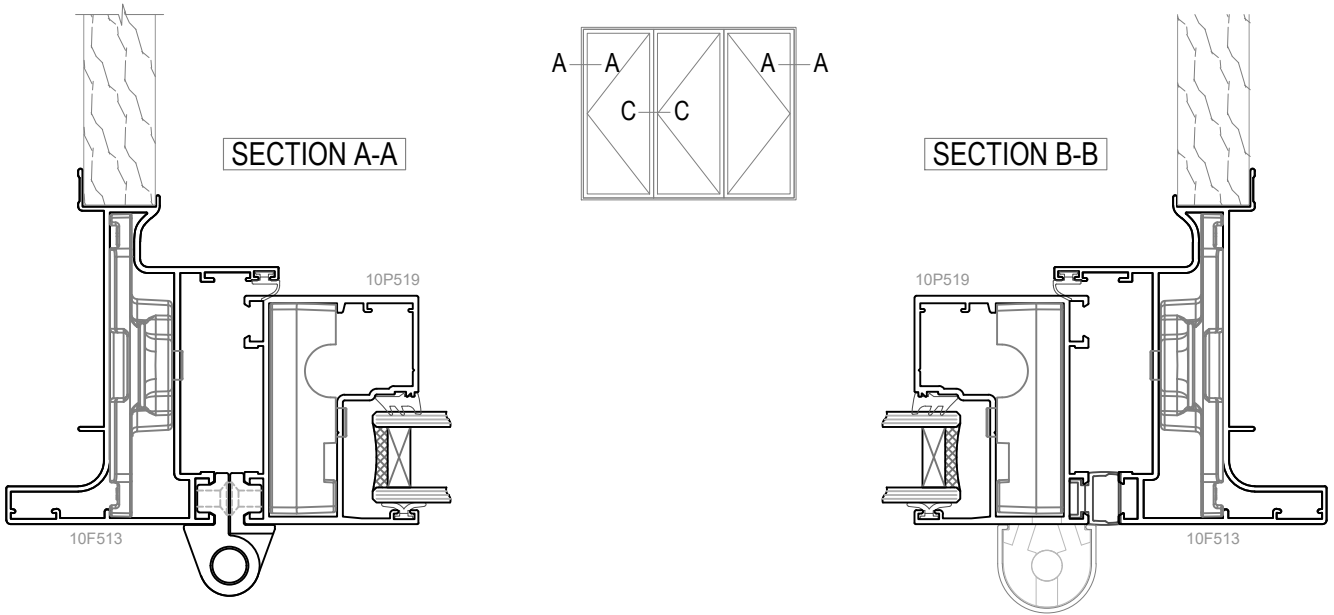
SECTION A-A

BI-FOLD WINDOW

Rev 0



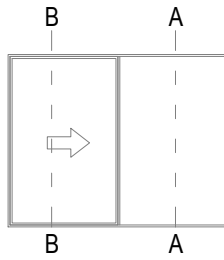




BI-FOLD WINDOW

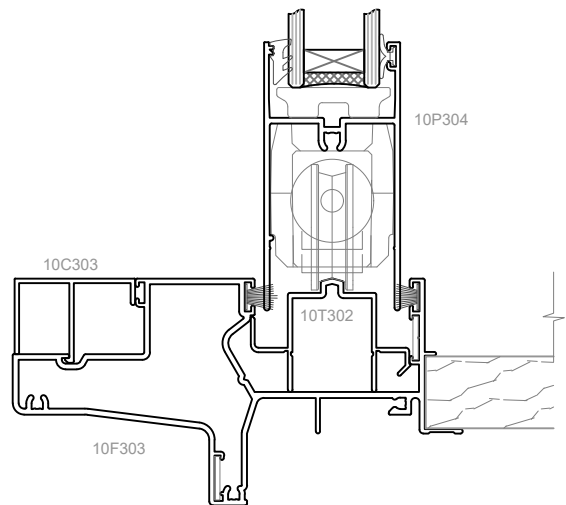
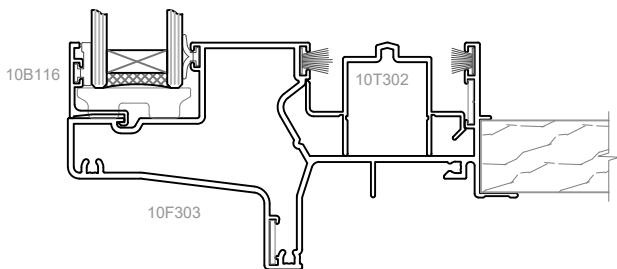
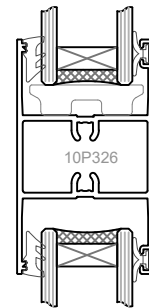
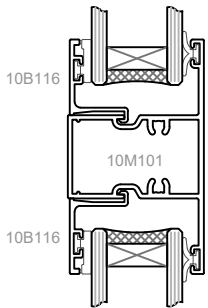
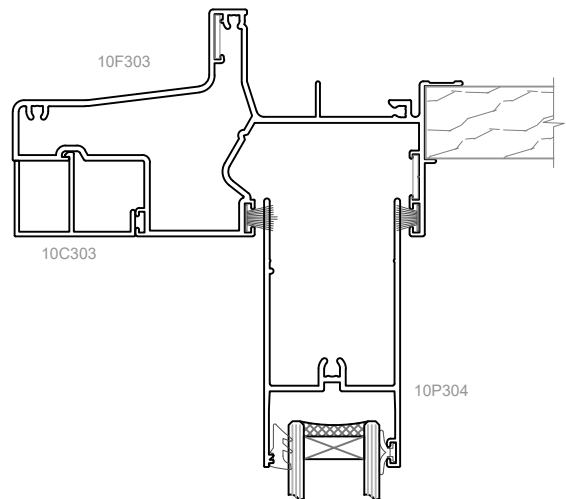
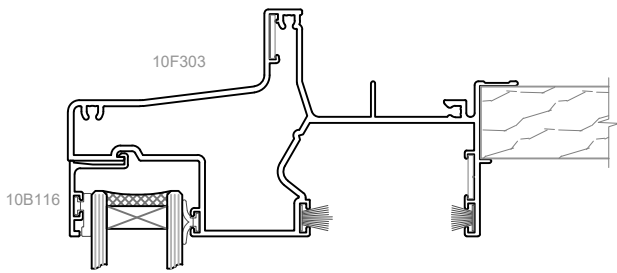
Rev 0





SECTION A-A

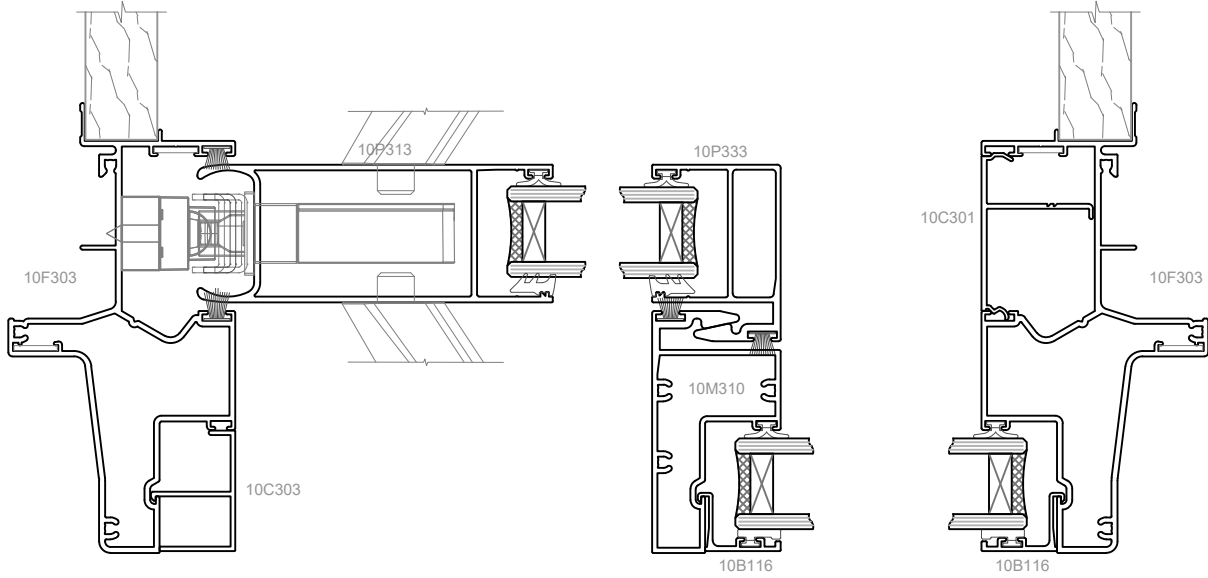
SECTION B-B



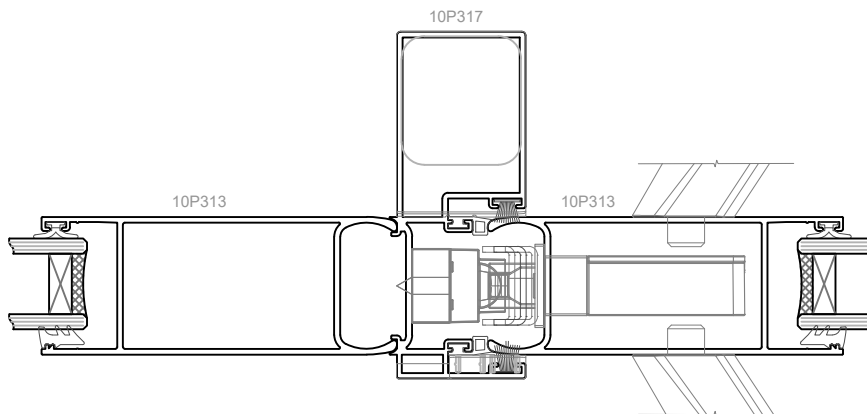
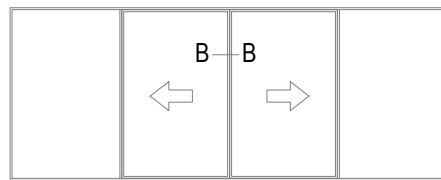
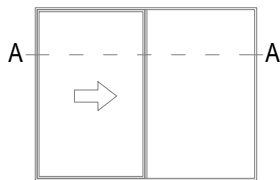
SLIDING DOOR - PROJECTED FRAME

Rev 0





SECTION A-A

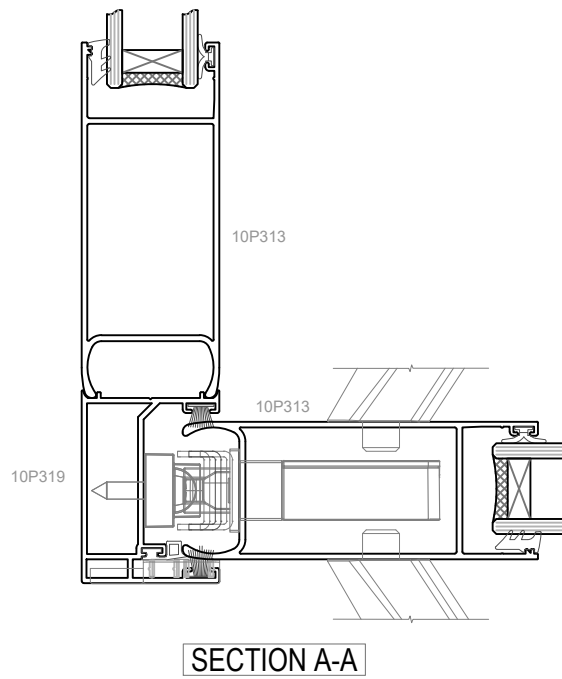
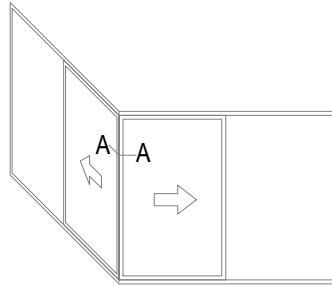


SECTION B-B

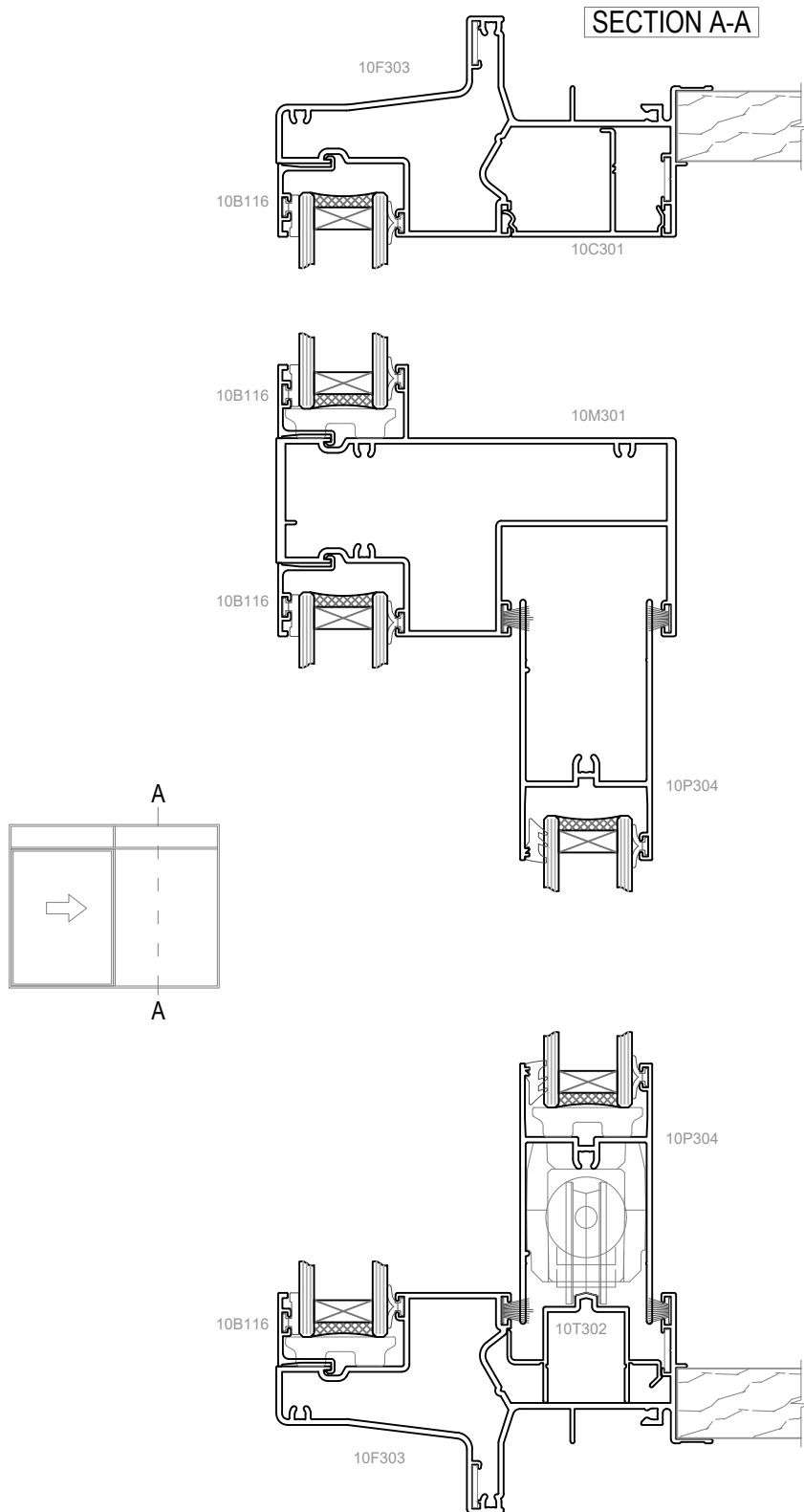
SLIDING DOOR - PROJECTED FRAME

Rev 0





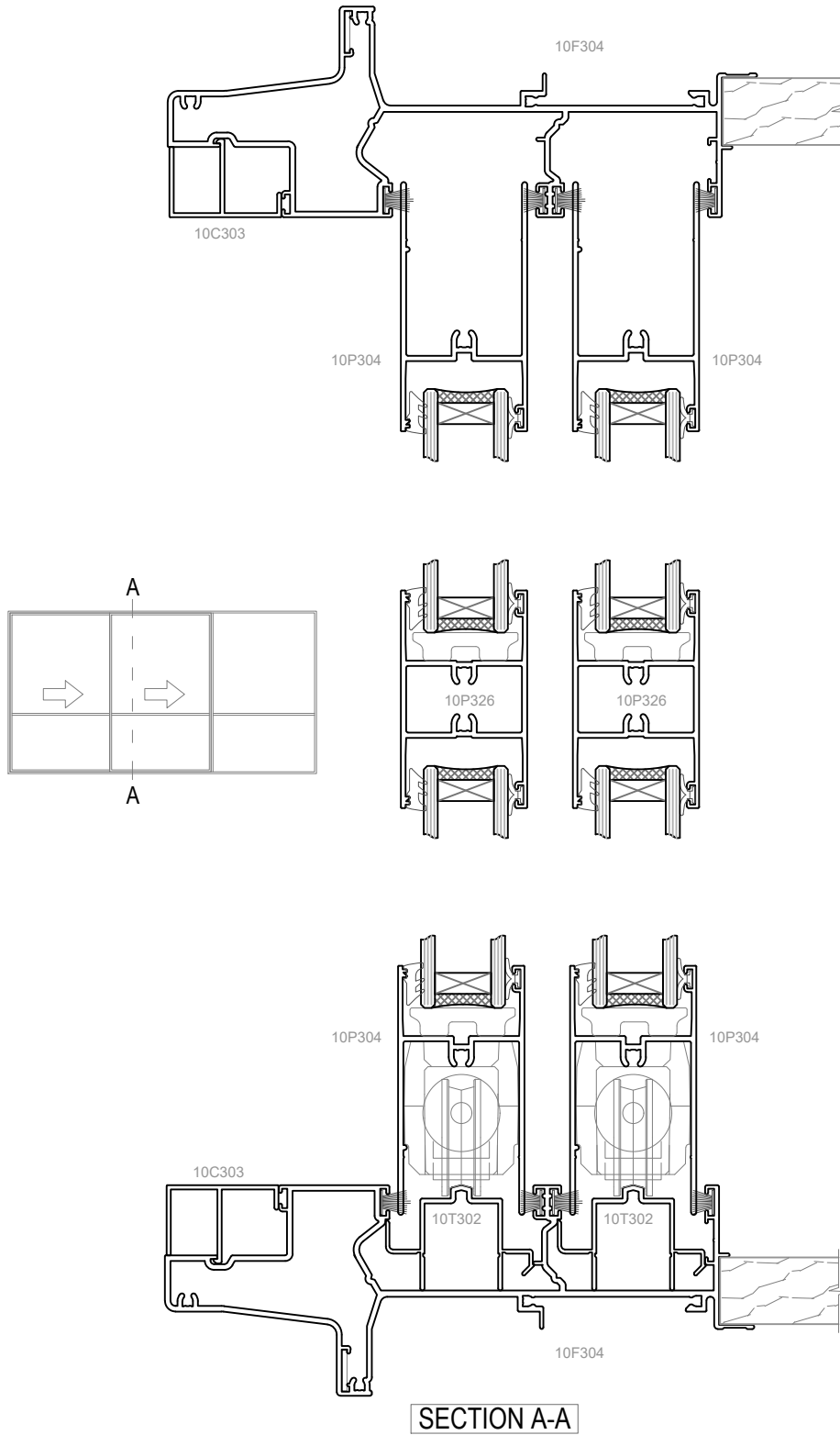
SLIDING DOOR - PROJECTED FRAME



SLIDING DOOR - PROJECTED FRAME

Rev 0

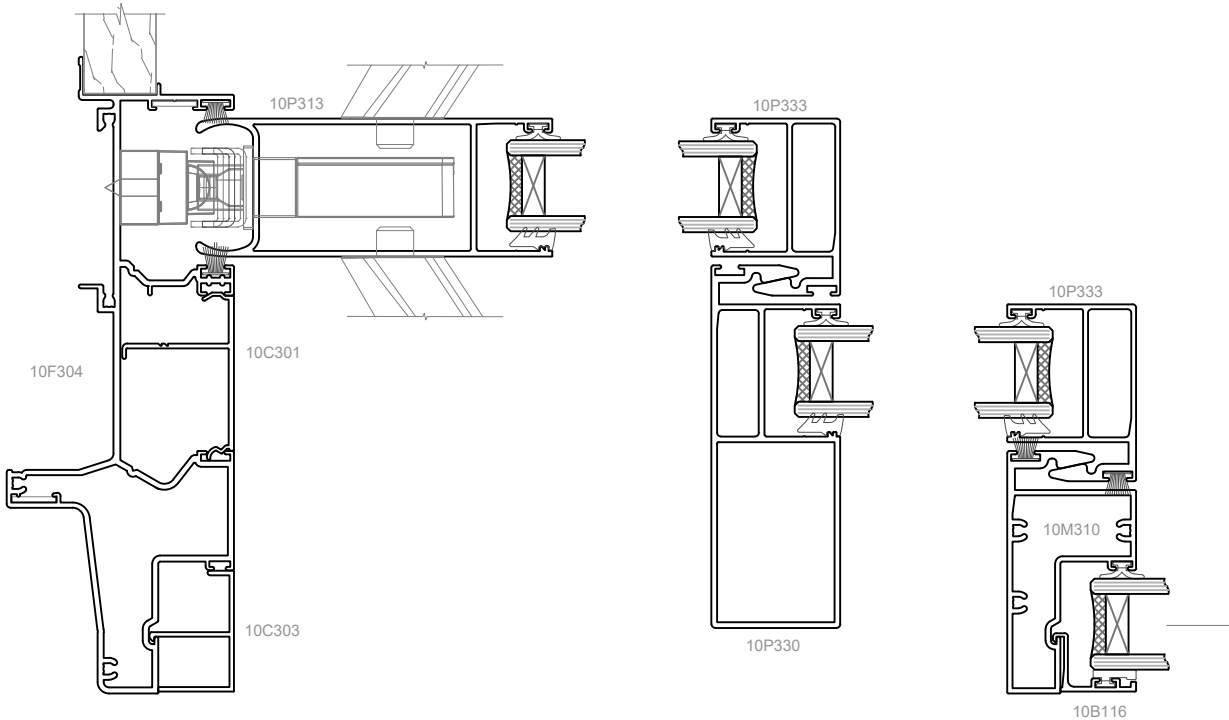




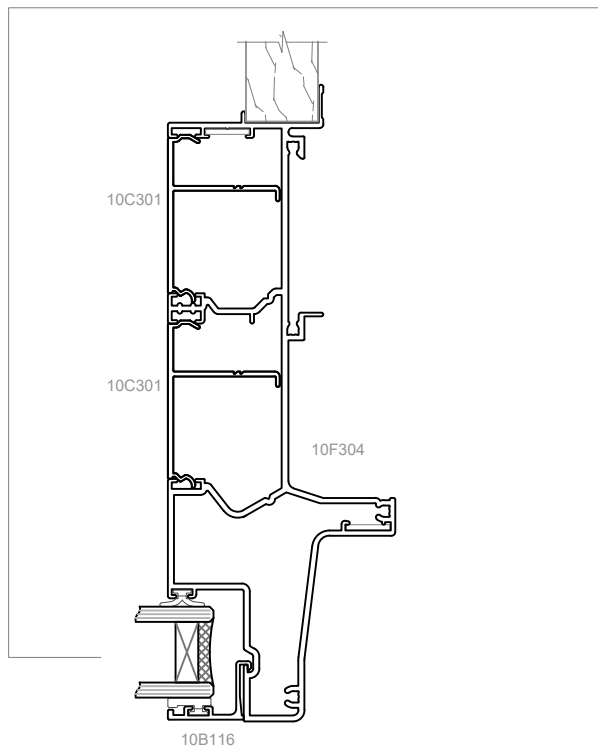
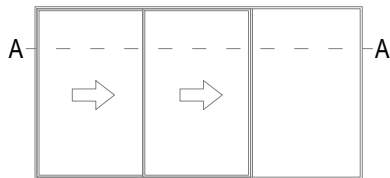
STACKING DOOR - PROJECTED FRAME

Rev 0





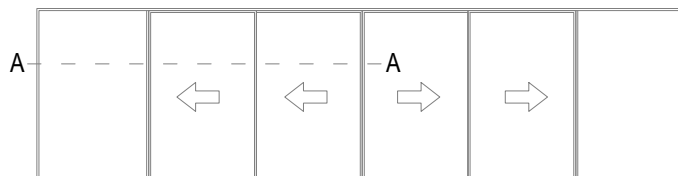
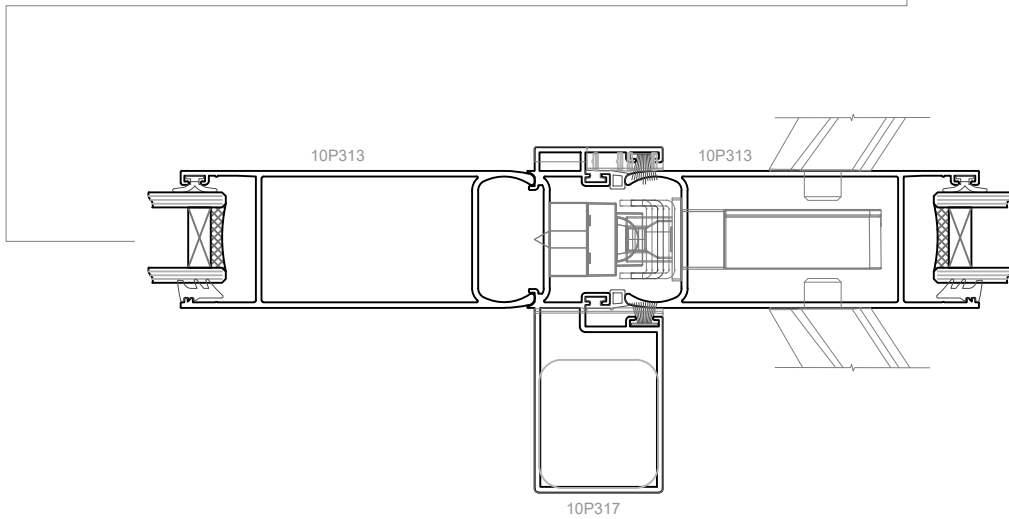
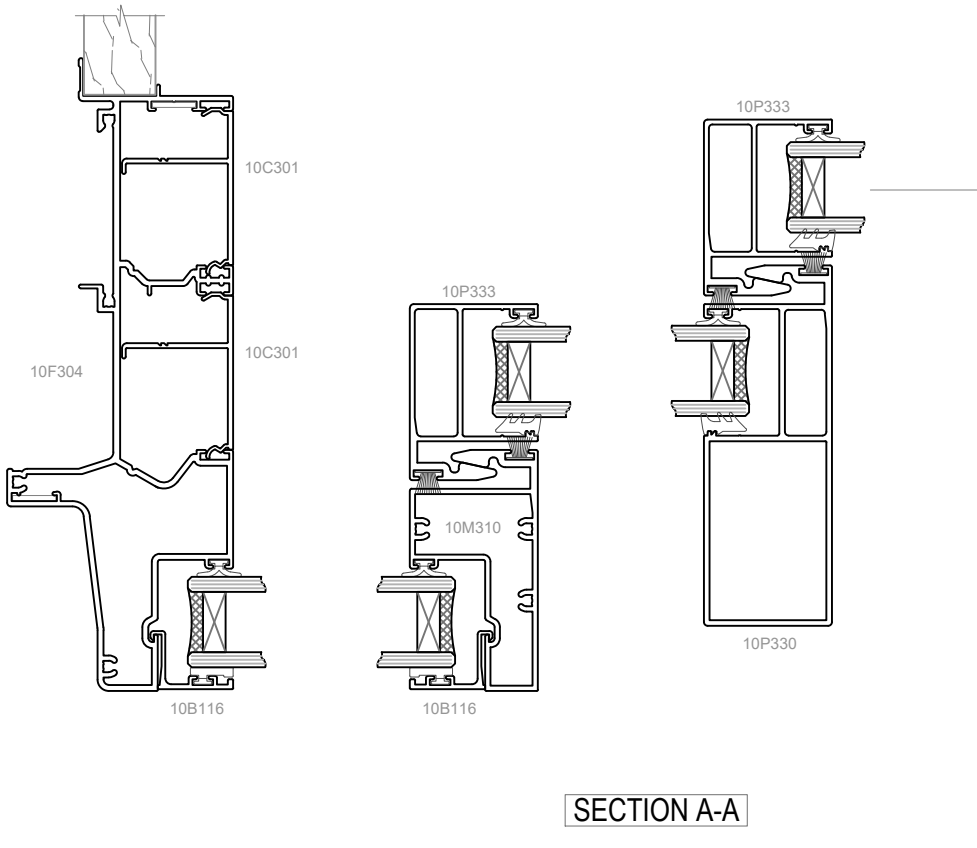
SECTION A-A



STACKING DOOR - PROJECTED FRAME

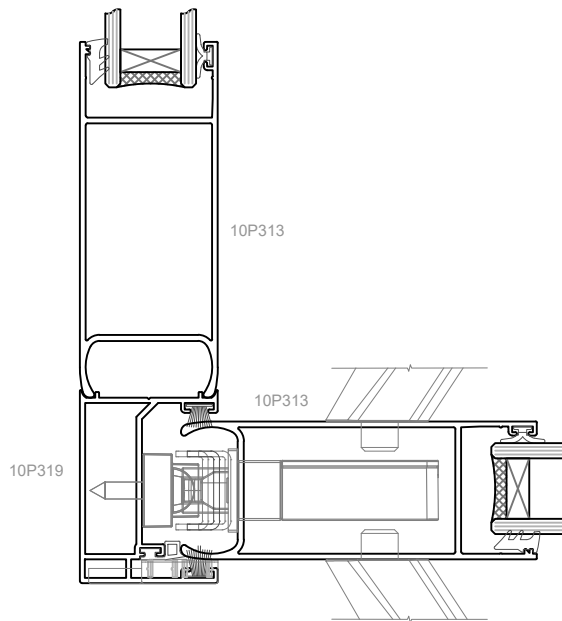
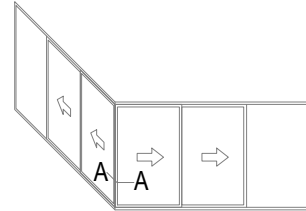
Rev 0





STACKING DOOR - PROJECTED FRAME



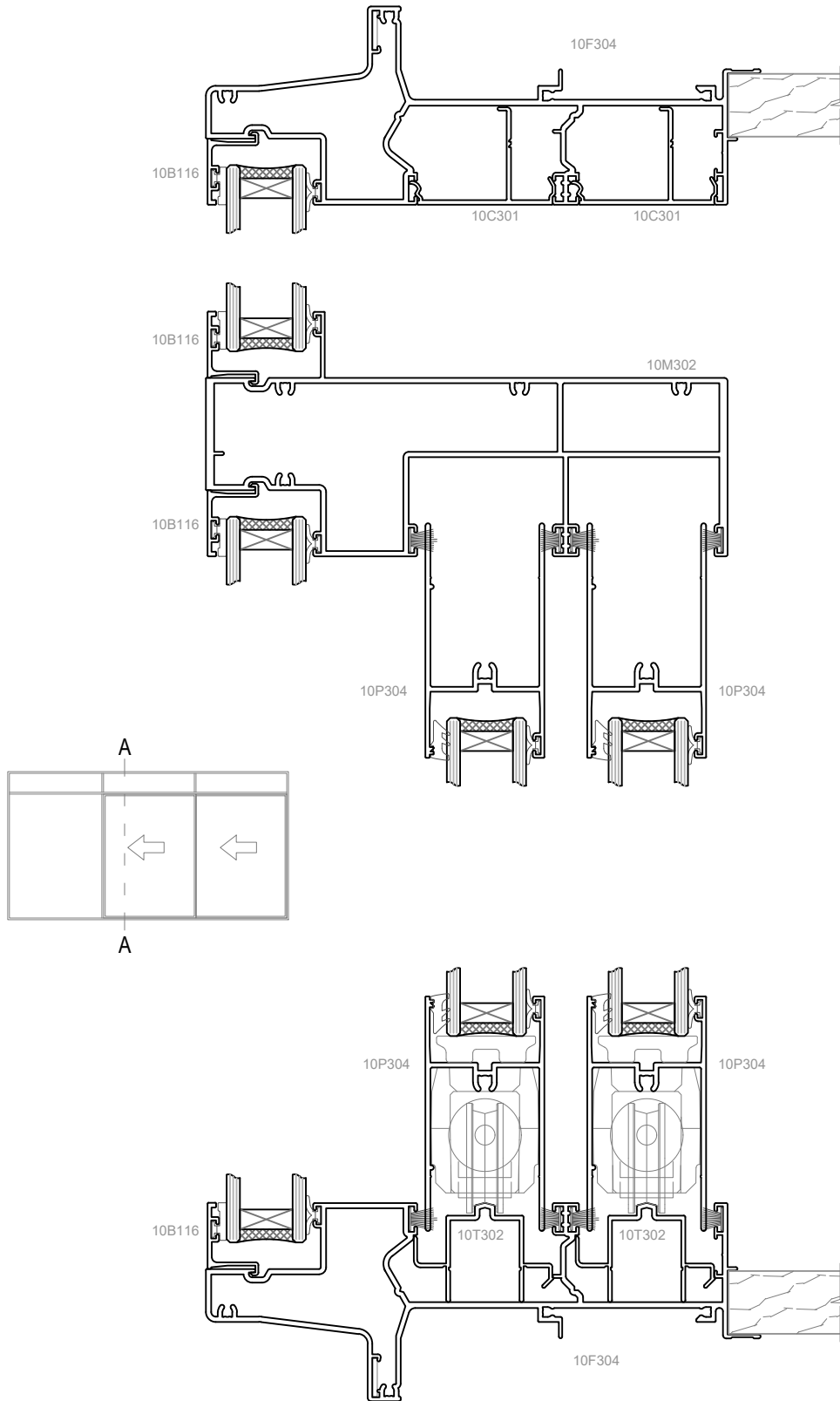


SECTION A-A

STACKING DOOR - PROJECTED FRAME

Rev 0





SECTION A-A

STACKING DOOR - PROJECTED FRAME

Rev 0

