

VON DUPRIN®

33A Series

Exit devices



The Von Duprin 33A Series is a contemporary range of push pad exit devices designed to suit single and double door applications. The 33 Series has been designed for use on narrow stile timber or aluminium hinged doors. Available in rim and surface vertical rod styles. Furnished on all 33A Series exit devices is a fluid dampener that decelerates the push pad on its return stroke and eliminates most noise associated with exit device operation.

Features

- Non-handed
- Field sizeable to accommodate a range of door openings
- Rim device has deadlocking latch with 19mm throw
- Suits door stile as narrow as 44mm
- Vertical rod device has deadlocking anti-friction latch with 16mm throw
- Suitable for doors 711mm to 914mm
- Extension rods available for doors over 2134mm high
- Optional external trims for access control
- The 10 year warranty provides specifiers and users with assured quality and performance

Specification guide

Code prefix	Model	Length	Finish
VD	Rim device.....33EO	914mm914	Satin chrome plate SCP
	Vertical rod device3327EO	1220mm1220	

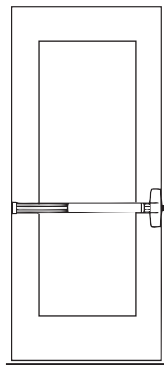
- Code prefix
All codes are prefixed with VD
- Model
Select the desired model e.g. Rim device VD33EO
- Length
Select the desired length e.g. 914mm VD33EO-914
- Finish
Select the desired finish e.g. Satin chrome plate VD33EO-914SCP

Applications

Single door VD33EO

33 Rim device

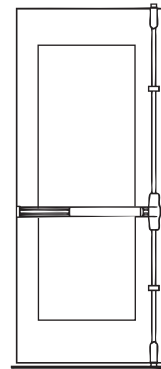
Minimum stile width 44mm with standard 1439 strike



Single door VD3327EO

3327 Vertical rod device

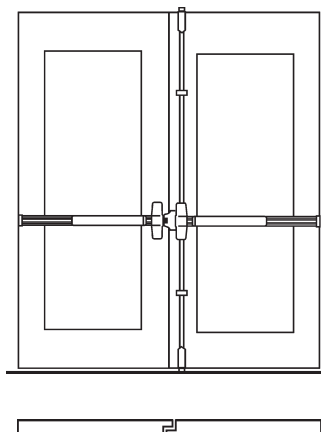
Minimum stile width 44mm



Double rebated door VDDR33

33 Rim device, 3327 Vertical rod device, 1609 strike

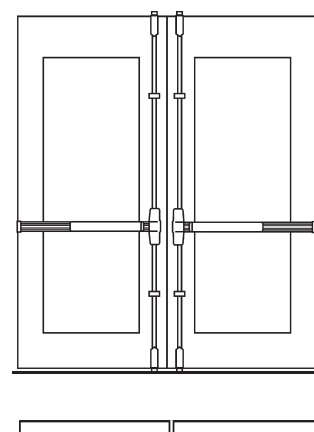
Minimum stile width 76mm with optional 1609 strike



Double non-rebated door VDDD3327

2 x 3327 Vertical rod device

Minimum stile width 44mm

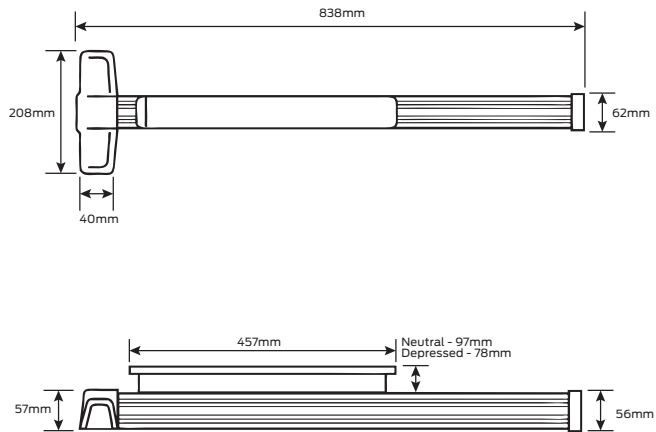


Minimum door opening chart

Device model	Door seat rebate	Strike	Single door	Minimum door opening		Minimum stile width
				914 Device	914 with ALK kit	
33A-EO	13 mm	1439	YES	711mm	838mm	44mm
3327A-EO	13 mm		YES	657mm	813mm	44mm

Device model	Door seat rebate	Strike	Double door rebated	Double door non-rebated	Minimum door opening		Minimum stile width
					914 Device	914 with ALK kit	
33A-EO & 3327A-EO	13mm	1609	YES		1400mm	1553mm	76mm
3327A-EO x 2	13mm			YES	1315mm	1658mm	44mm

VD33A-EO Exit Only Rim Device



Device centre line to finished floor: 1011mm

Features

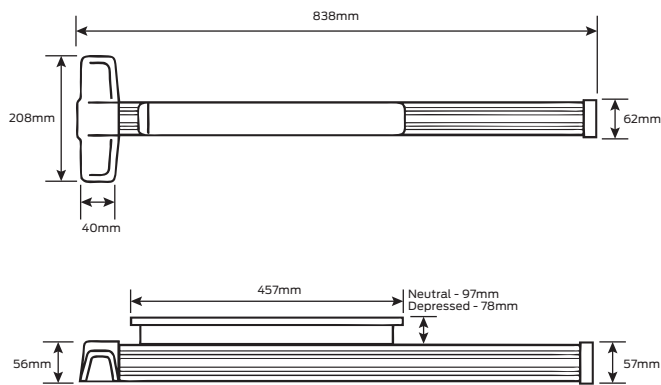
- Suitable for all types of single doors
- Can be used in conjunction with a 3327A-EO surface mounted vertical rod device and 1609 strike for double rebated door applications
- Fits door stiles as narrow as 44mm
- Field sizeable, accommodating doors from 711mm to 914mm
- Single point locking device, with a 19mm throw deadlocking latch
- The hex key dogging allows the latch to be held in a retracted position
- A dull black 1439 strike is furnished with the device
- Device supplied with all fixing hardware and hex dogging key
- Optional outside trim and alarm kits are available

Specifications

Door thickness	Combination of fasteners are furnished for surface mounting or through bolting Surface mounted - 19mm minimum Through bolt - 44mm to 57mm
Stile width	44mm minimum
Door width	711mm to 914mm* * based on standard strike and 13mm stop height
Handing	Reversible
Latch	19mm throw, deadlocking
Dogging	Hex key dogging
Finish	Satin chrome plate
Warranty	10 year mechanical

VD3327A-EO Exit Only Surface Mounted Vertical Rod Device

Features



Device centre line to finished floor: 1011mm

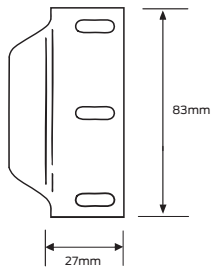
- Suitable for all types of single doors
- Can be used in conjunction with another 3327A-EO for double non-rebated door applications
- For rebated double door applications the 3327A-EO should be used in conjunction with a 33A-EO rim device and 1609 strike
- Fits door stiles as narrow as 44mm
- When 3327A-EO is used in conjunction with 33A-EO and 1609 strike on double rebated door, the minimum stile width is 76mm
- Field sizeable, accommodating doors from 711mm to 914mm
- Optional extension rods available for doors over 2134mm high
- Multi-point locking device, with 16mm throw deadlocking anti-friction top and bottom latch
- The hex key dogging allows the latch to be held in a retracted position
- Supplied with 248L-4, 266 and 304L strikes as standard
- Optional outside trim and alarm kits are available

Specifications

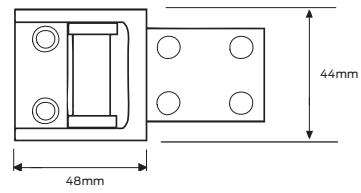
Door thickness	Combination of fasteners are furnished for surface mounting or through bolting Surface mounted - 19mm minimum Through bolt - 44mm to 57mm
Stile width	44mm minimum
Door width	711mm to 914mm* * based on standard strike and 13mm stop height
Door height	2134mm standard Extension rods available for doors up to 3050mm
Handing	Reversible
Latch	16mm throw, deadlocking
Dogging	Hex key dogging
Finish	Satin chrome plate
Warranty	10 year mechanical

Suitable strikes for VD33A-EO

1609

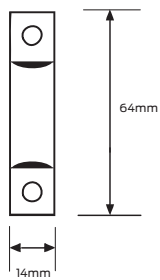


1439

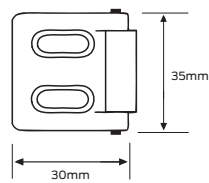


Suitable strikes for VD3327A-EO

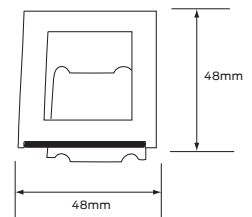
248L-4



266



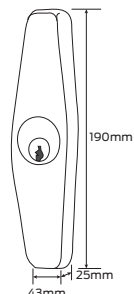
304L



33A Series accessories

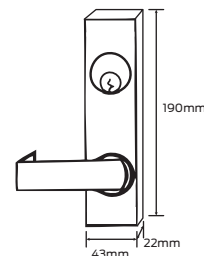
Nightlatch VD388

Key retracts the latch. Nightlatch cylinder ordered separately. Trim projection is 25mm
Finish: Satin chrome plate



Lever VD360L

Key locks and unlocks lever. 32mm mortice cylinder ordered separately. Trim Projection is 76mm
Finish: Satin chrome plate



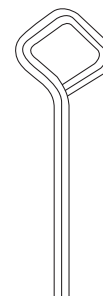
Vertical extension rods

For door over 2134mm high. Available in either 305mm or 914mm lengths. Rods are field sizeable
Finish: Satin chrome plate



Hex dogging key

Dogging key supplied standard with all exit device with dogging feature



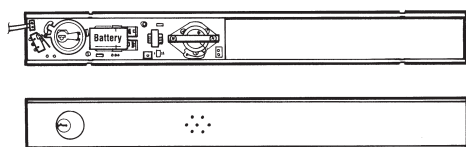
33ALK Exit alarm kit

The 33ALK exit alarm kit is a simple yet effective way to monitor the use of an exit device and deter unauthorised use of an opening. While still a means of egress, the unit contains an internal horn. When the touch bar is depressed, the horn sounds to provide an audible means of signalling that the opening has been activated.

The key switch allows you to arm and disarm the alarm. The unit operates on one standard 9-volt battery. When the battery is weak, the horn will emit an intermittent signal.

Includes "EMERGENCY EXIT ONLY. ALARM WILL SOUND" decal for application on the door.

Requires 32mm mortice cylinder. Cylinder ordered separately



EL Electric latch retraction

The EL feature allows for the remote unlatching of exit devices. A control station operator can flip a switch to retract the latch bolt and immediately change an exit door to push-pull operation. A powerful, continuous duty solenoid retracts the latch bolt, either for momentary unlatching, or for extended periods of time. The EL feature is an alternative to manual dogging.

EL devices are also useful with automatic door operators, and may be applied to fire-rated applications when under the control of an automatic fire alarm system.

Minimum door width with alarm kit*

	914mm
33A-EO	838mm
3327A-EO	813mm

* based on standard strike and 13mm stop height



ALLEGION™

PIONEERING SAFETY™

We are
Allegion

Briton ■ LCN ■ LEGGE ■ SCHLAGE ■ VON DUPRIN