

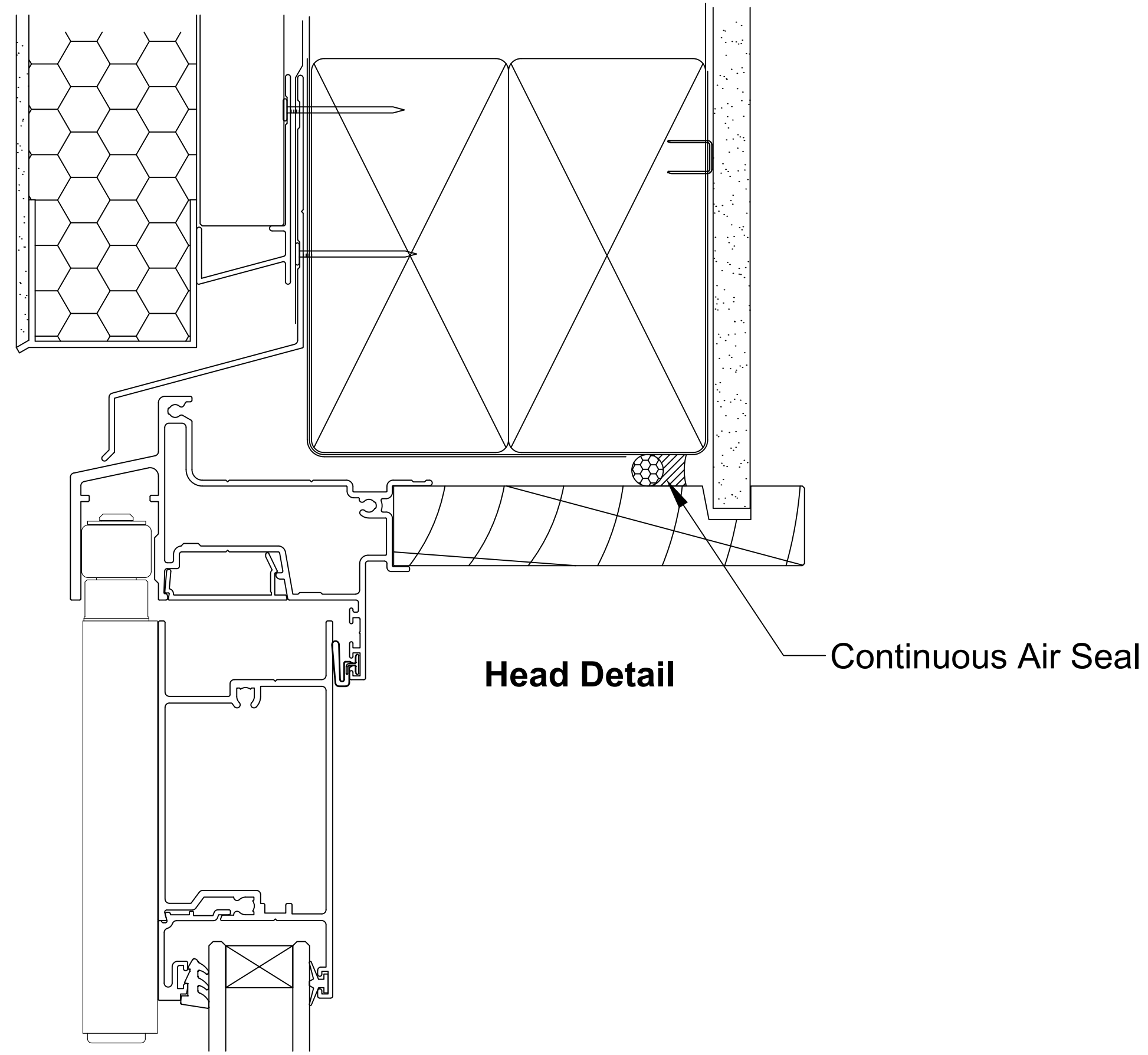
Note 2:

Avoid mortar contact with Aluminum Joinery, if contact is made wash off with warm soapy water immediately, no abrasive contact or solvents to be used.

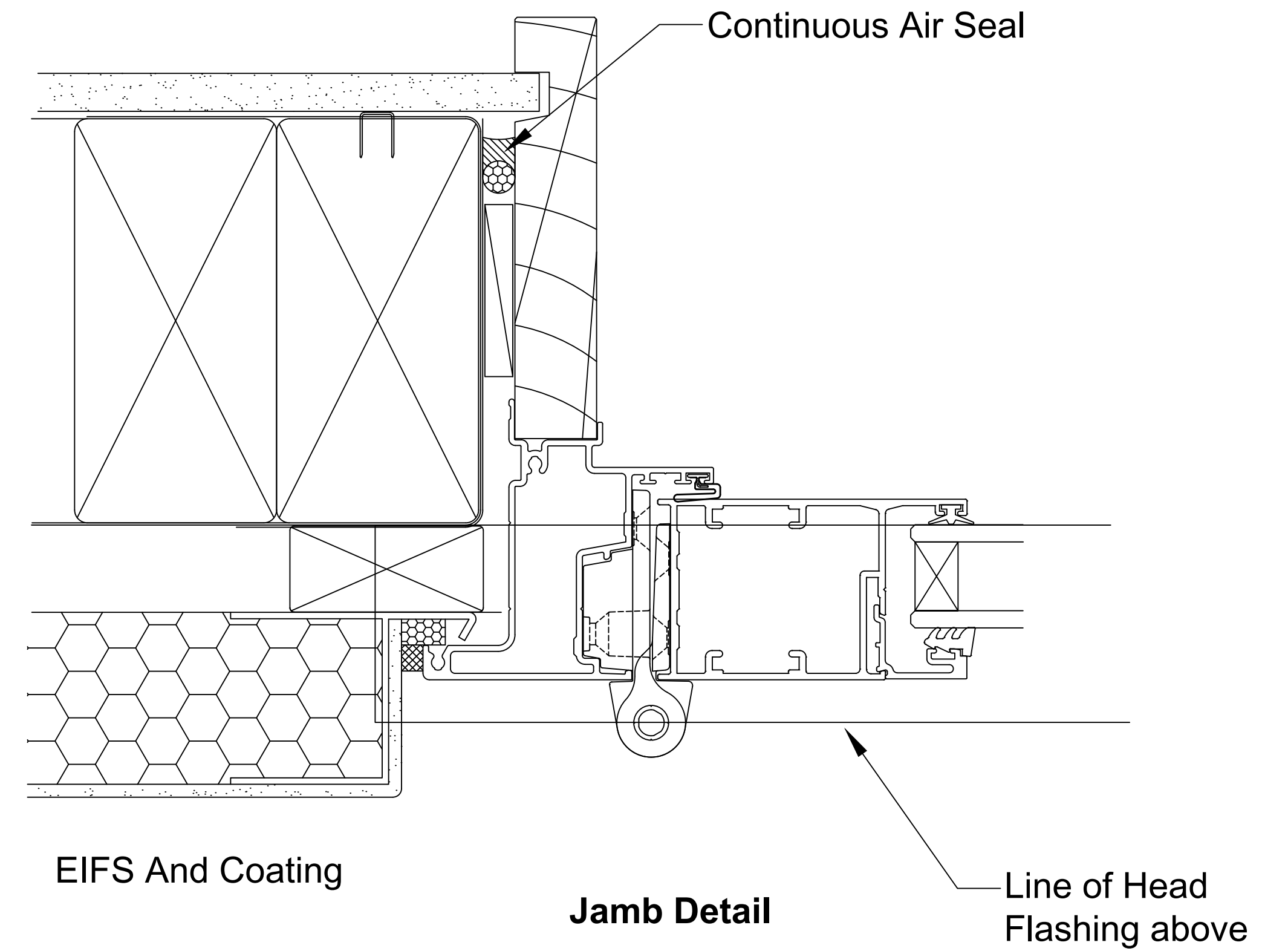
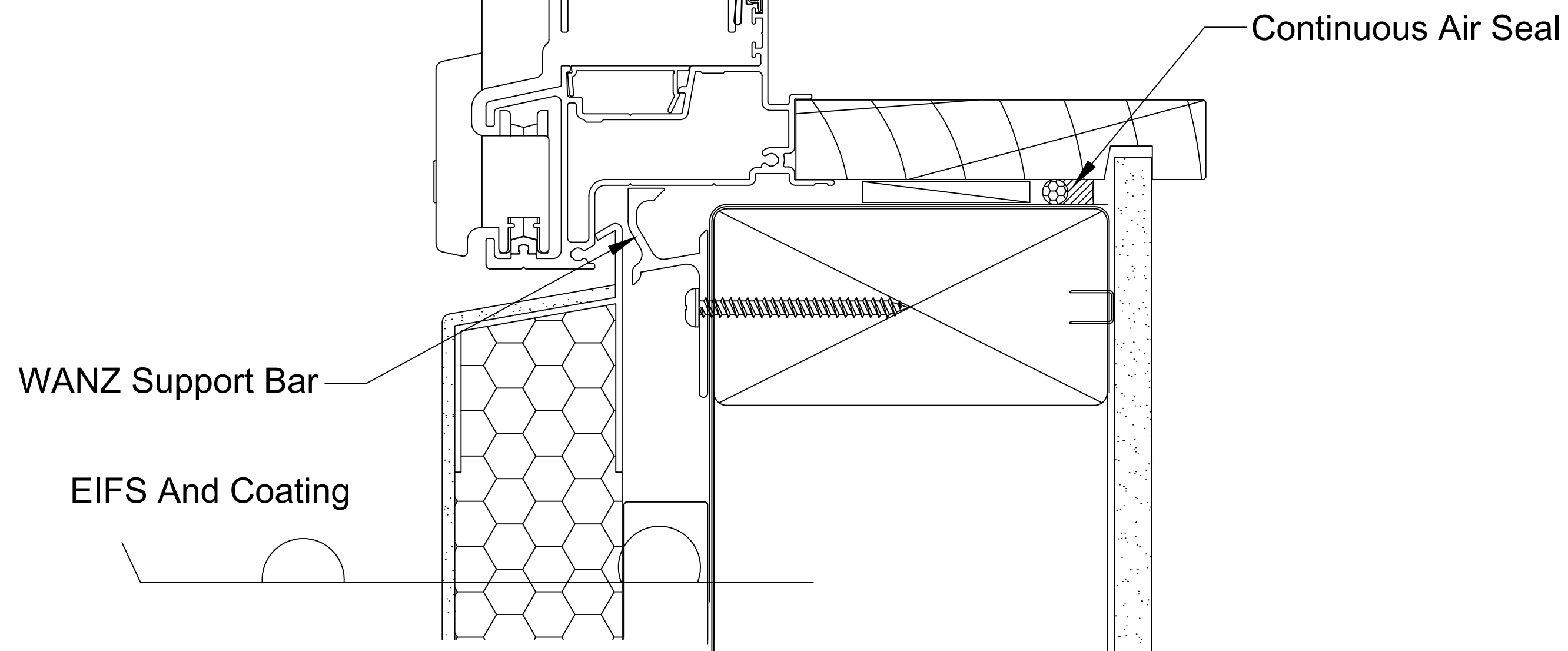
Note:

Sill support bar may be up to 100mm short of the Trim Opening at either end. It is recommended that the bar is installed the full Width of the opening to ensure it picks up the window or door frame support blocks.

EIFS And Coating



Sill Detail



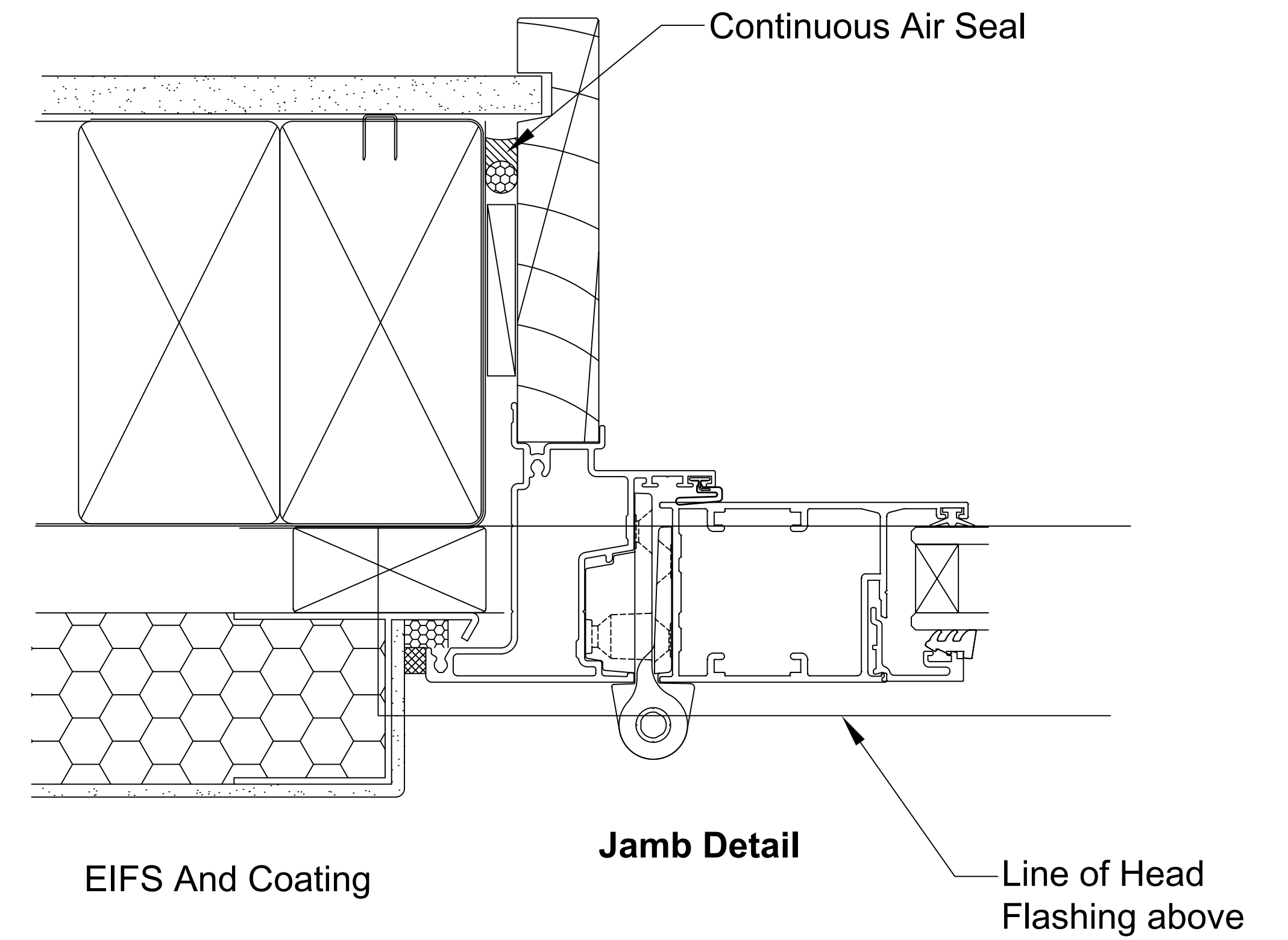
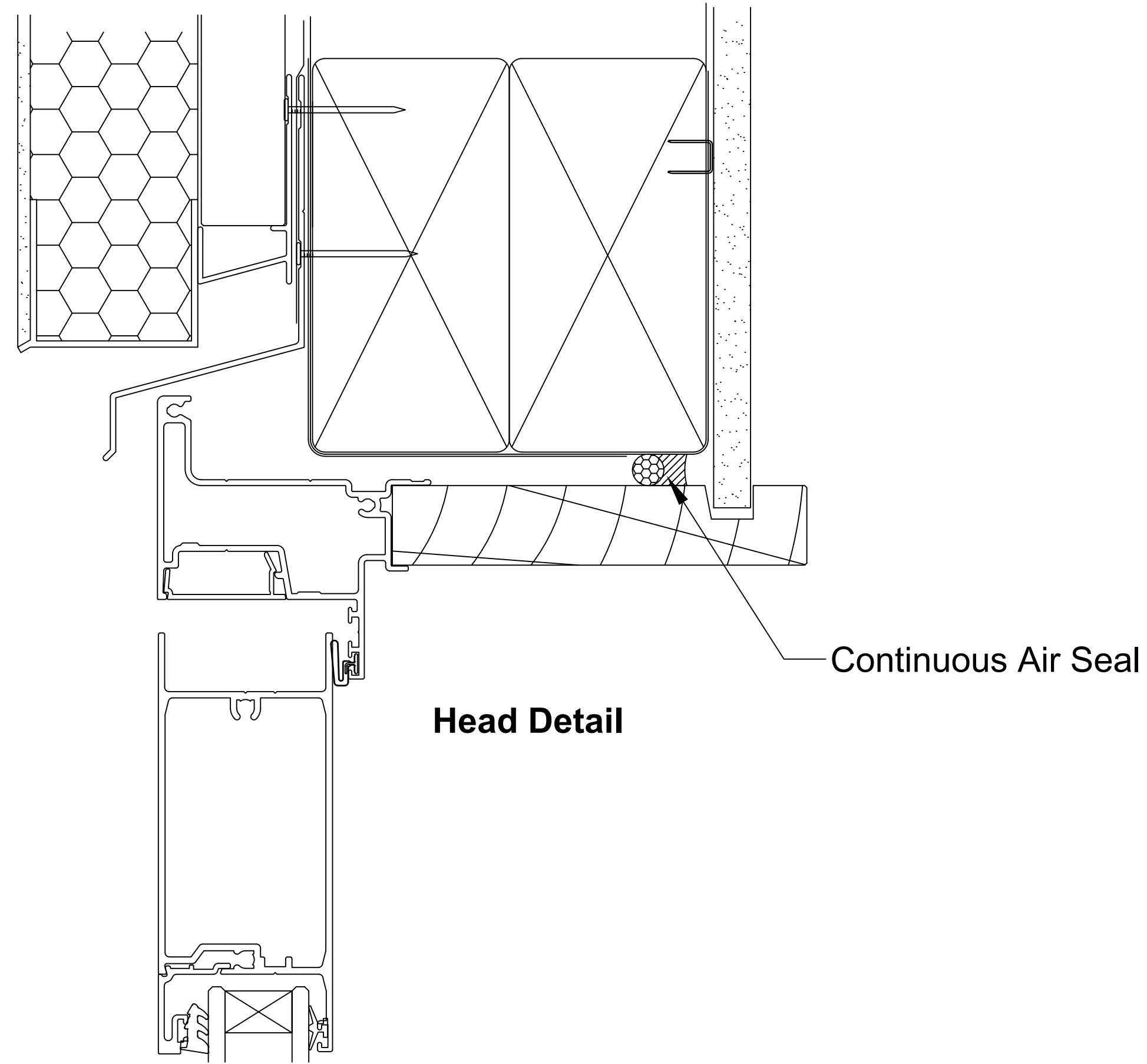
Note 2:

Avoid mortar contact with Aluminum Joinery, if contact is made wash off with warm soapy water immediately, no abrasive contact or solvents to be used.

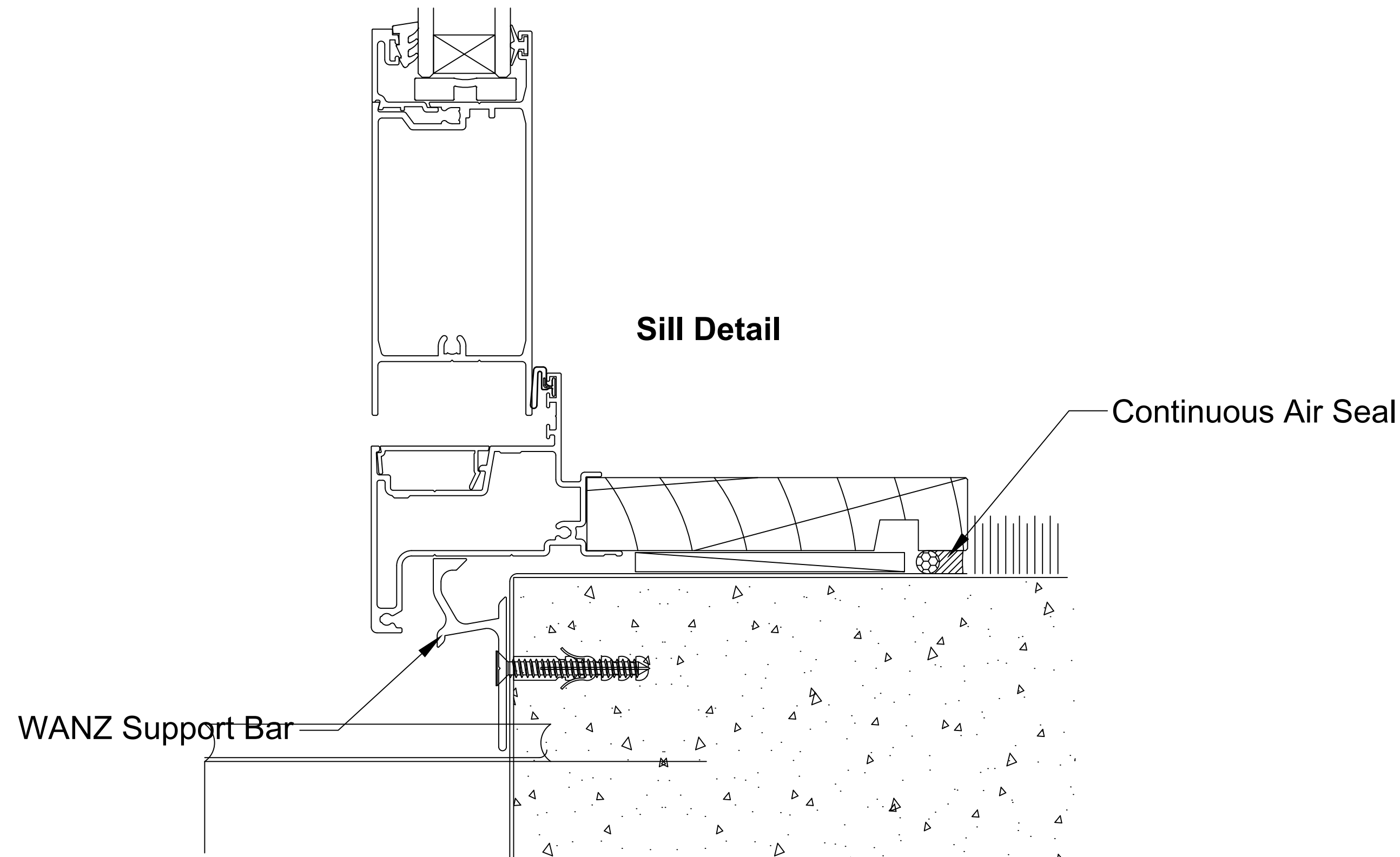
Note:

Sill support bar may be up to 100mm short of the Trim Opening at either end. It is recommended that the bar is installed the full Width of the opening to ensure it picks up the window or door frame support blocks.

EIFS And Coating



Sill Detail

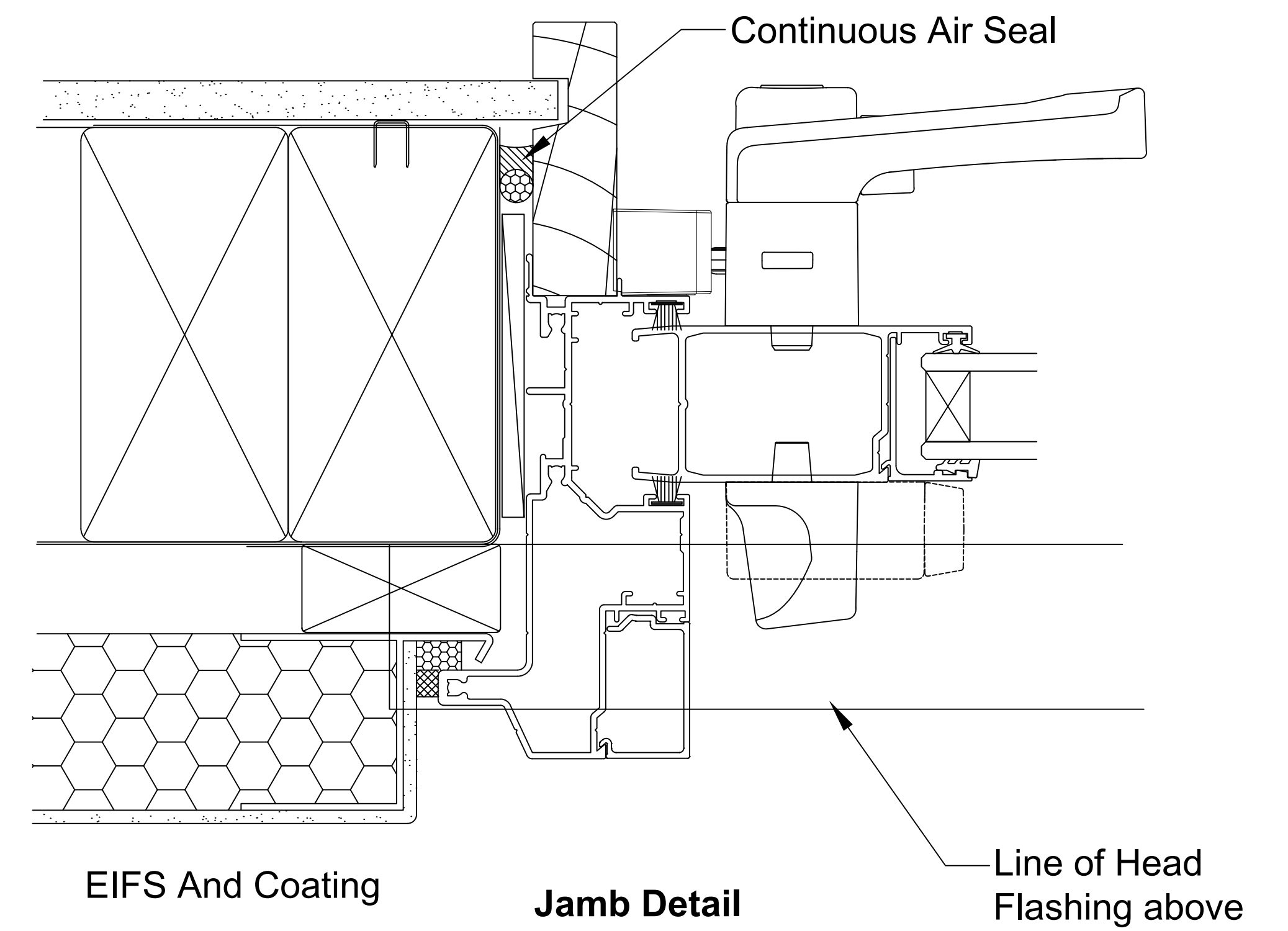
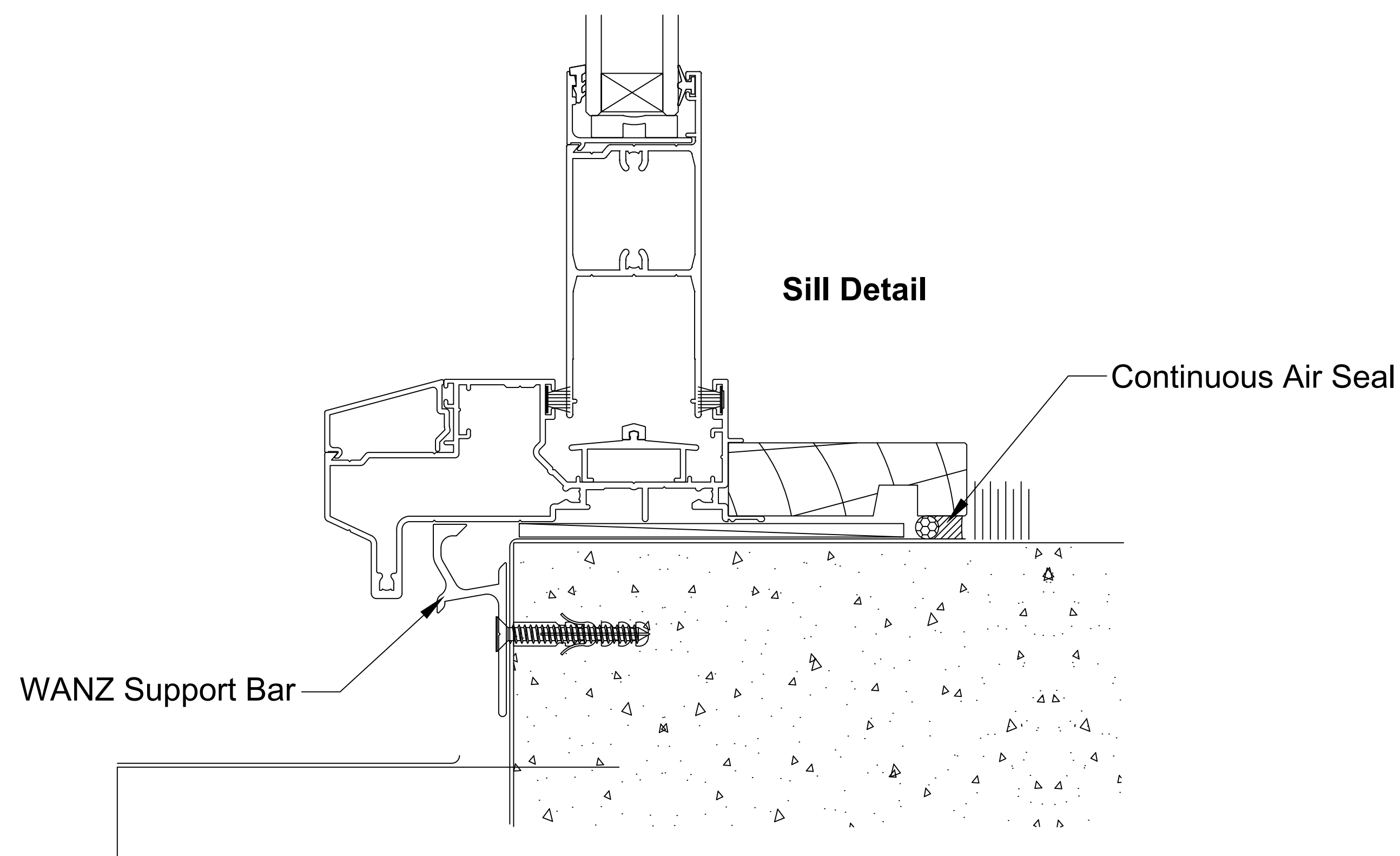
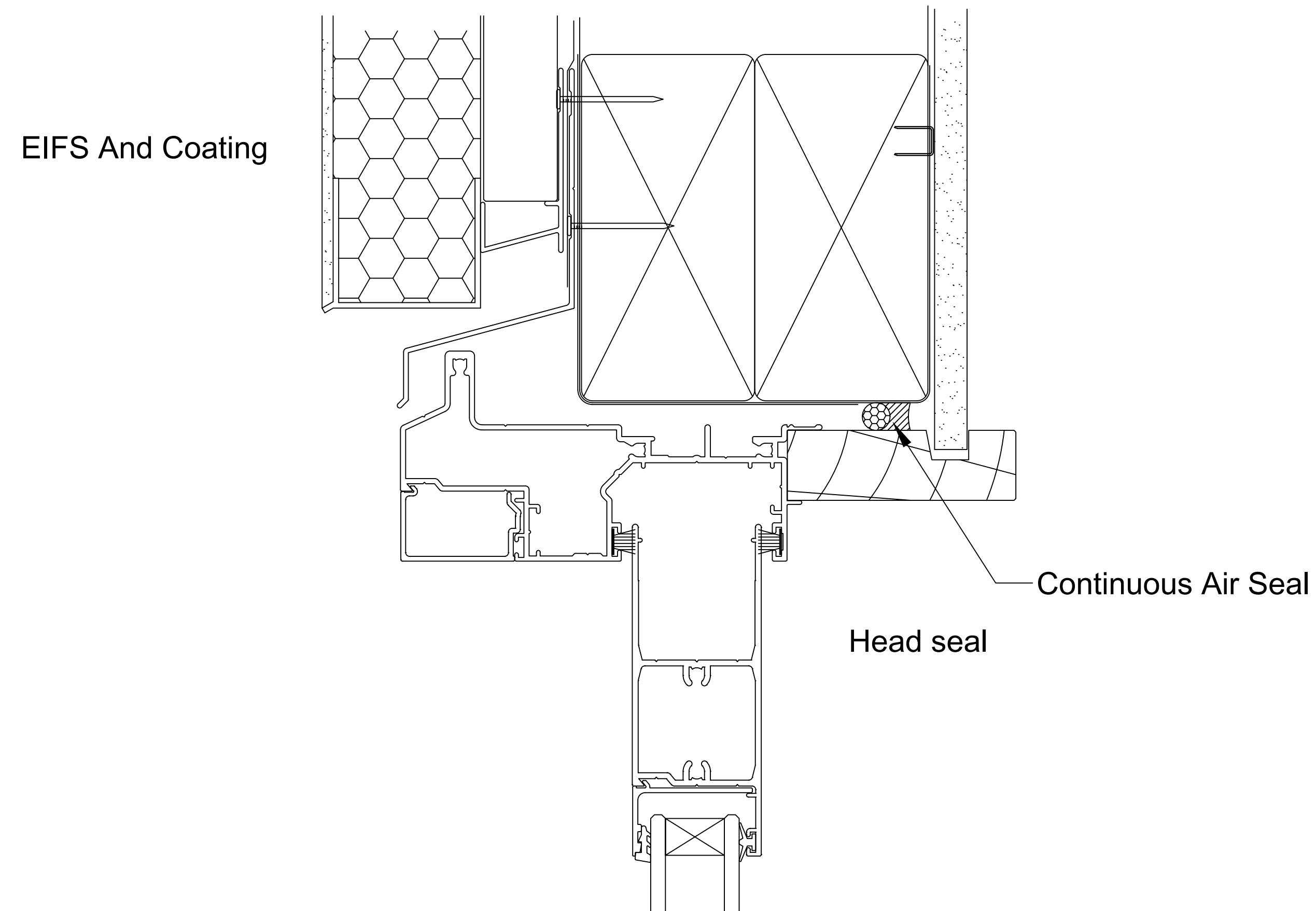


Note 2:

Avoid mortar contact with Aluminum Joinery, if contact is made wash off with warm soapy water immediately, no abrasive contact or solvents to be used.

Note:

Sill support bar may be up to 100mm short of the Trim Opening at either end. It is recommended that the bar is installed the full Width of the opening to ensure it picks up the window or door frame support blocks.



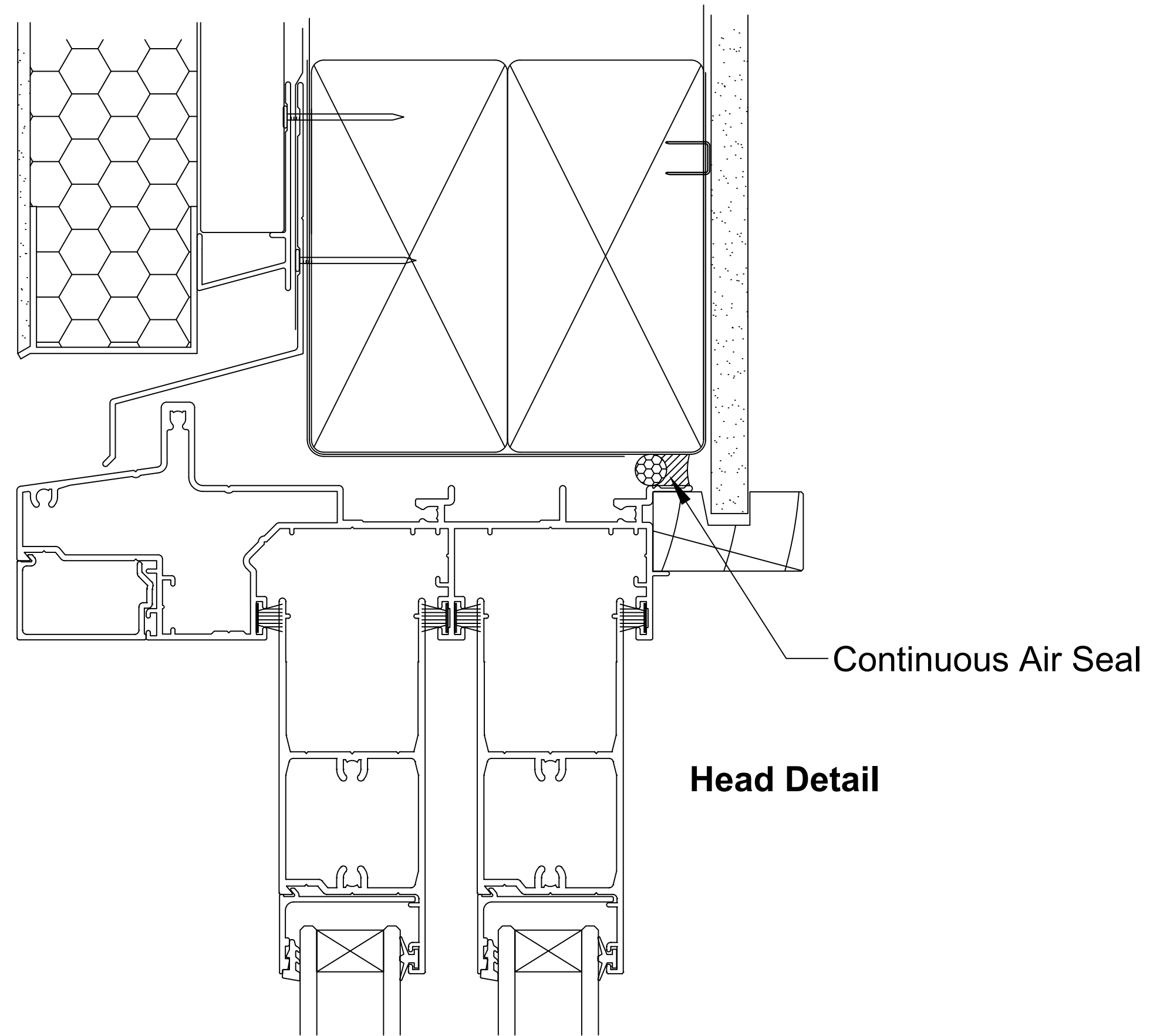
Note 2:

Avoid mortar contact with Aluminum Joinery, if contact is made wash off with warm soapy water immediately, no abrasive contact or solvents to be used.

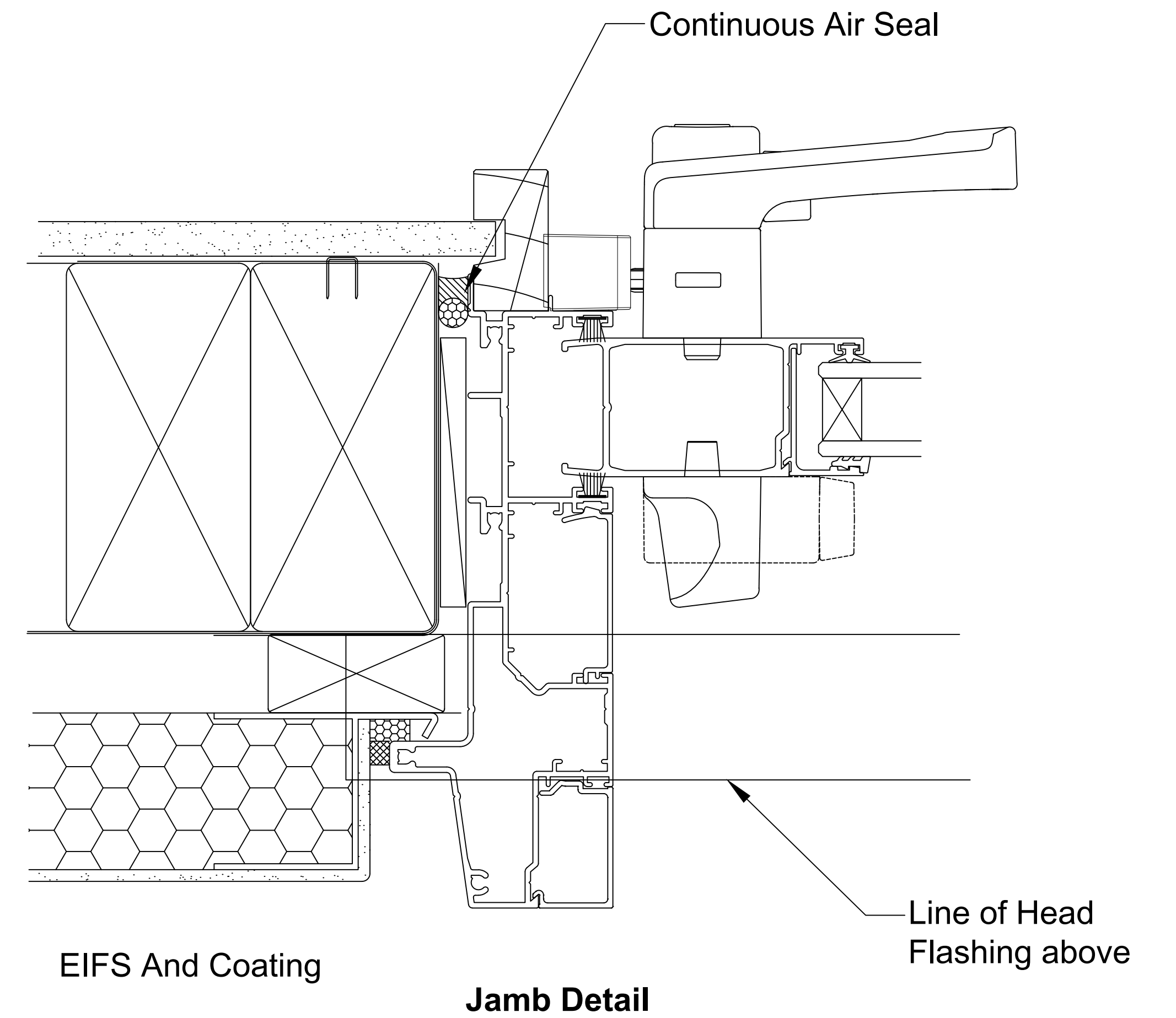
Note:

Sill support bar may be up to 100mm short of the Trim Opening at either end. It is recommended that the bar is installed the full Width of the opening to ensure it picks up the window or door frame support blocks.

EIFS And Coating

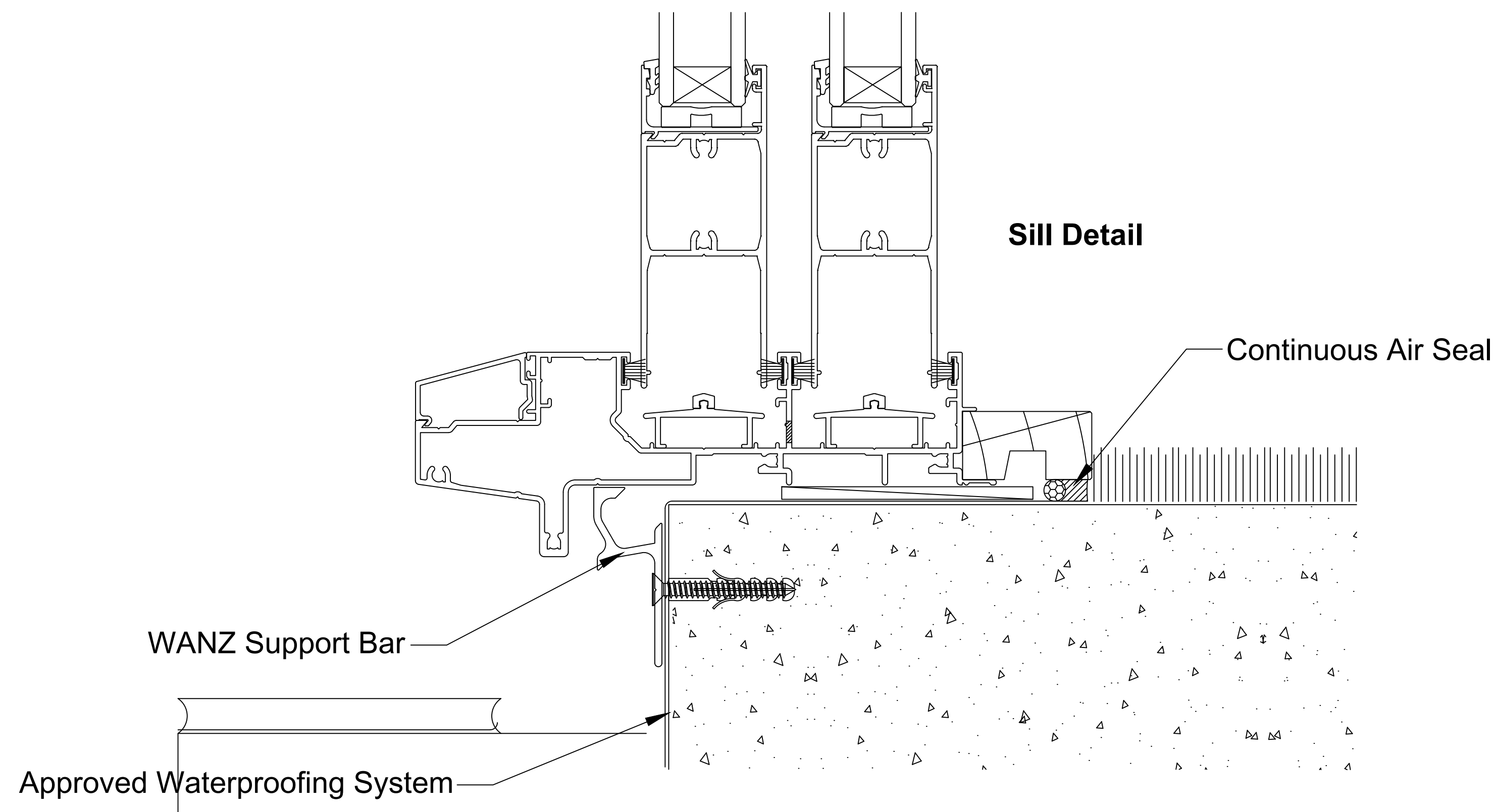


Head Detail



Jamb Detail

Sill Detail



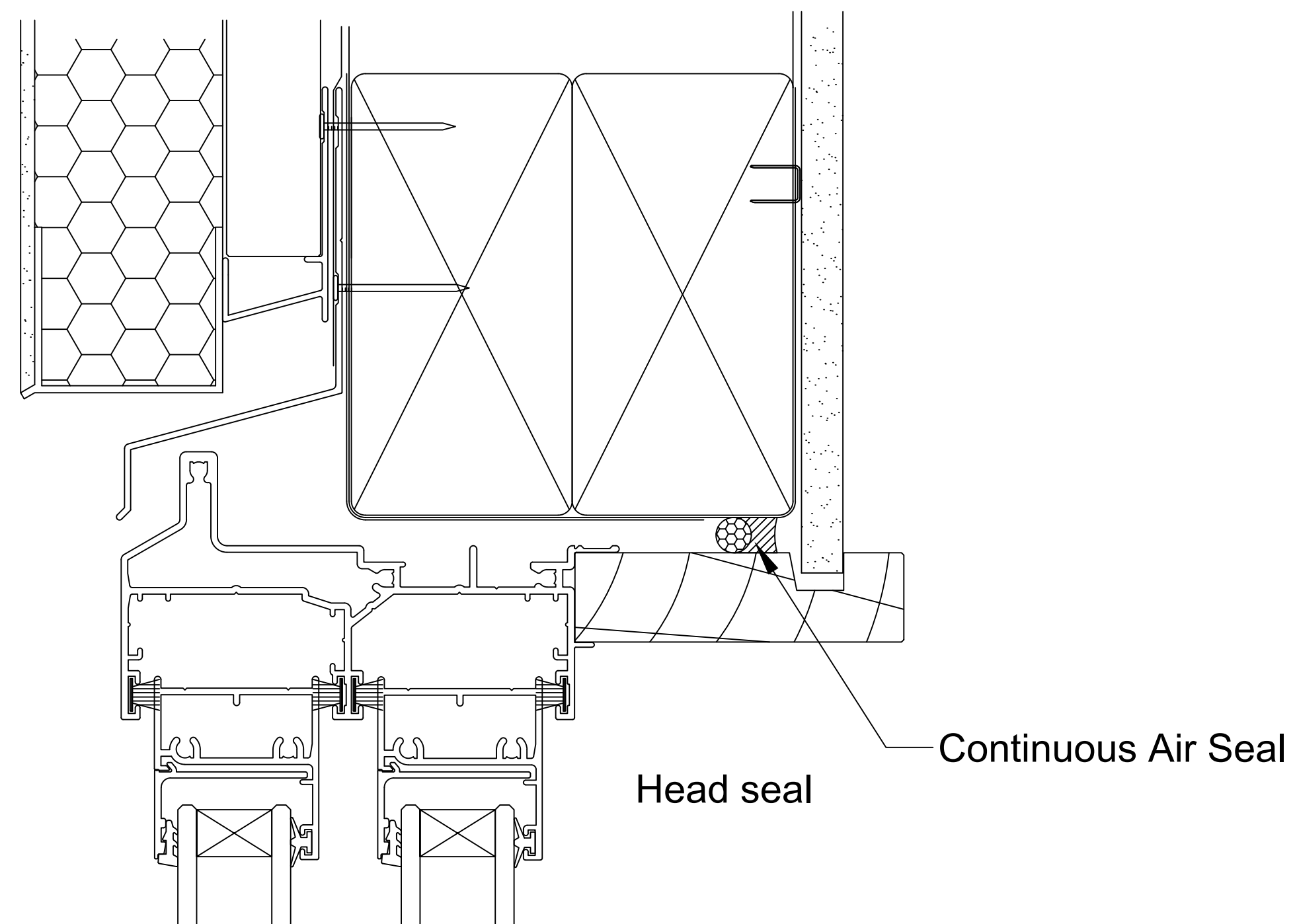
Note 2:

Avoid mortar contact with Aluminum Joinery, if contact is made wash off with warm soapy water immediately, no abrasive contact or solvents to be used.

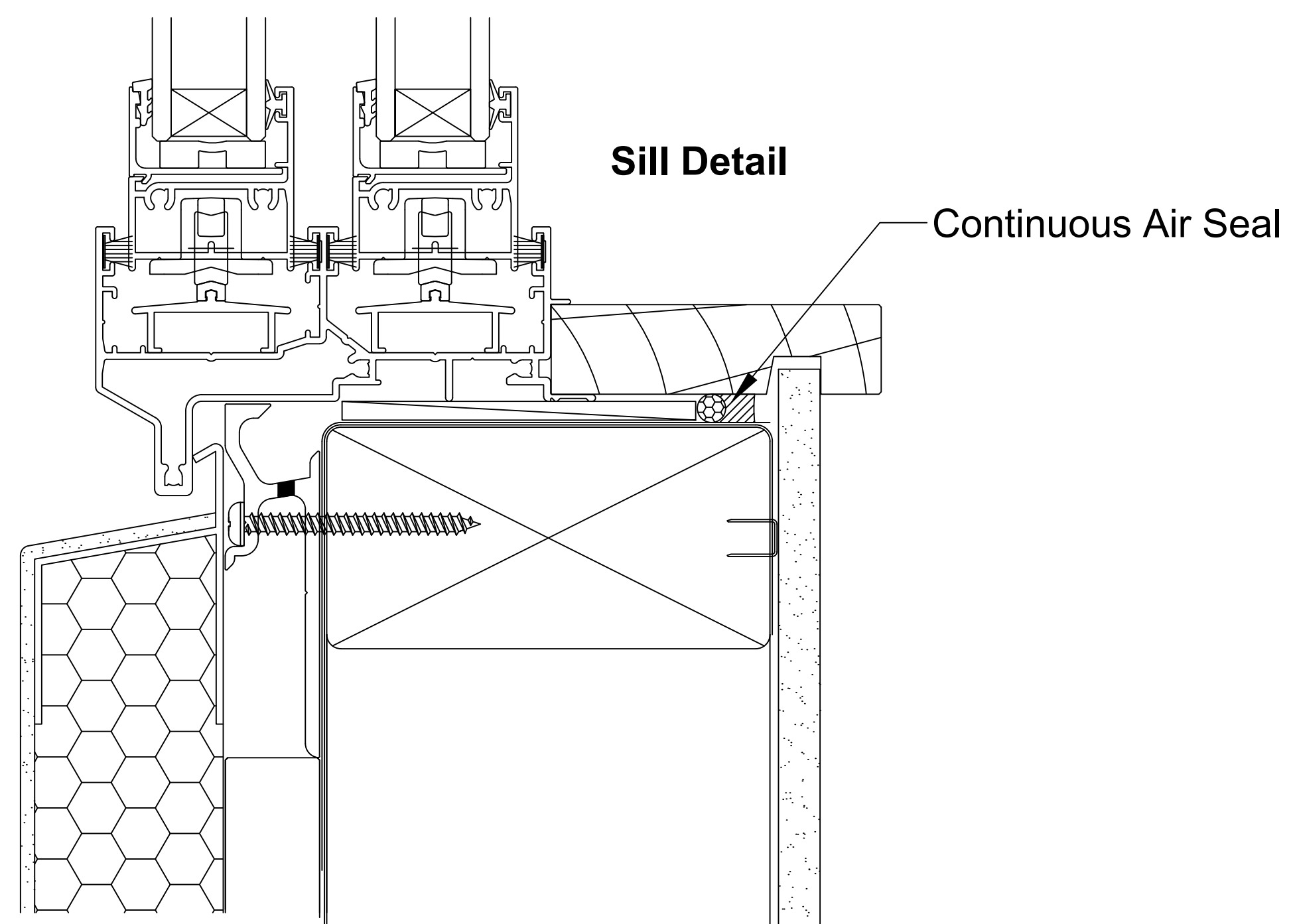
Note:

Sill support bar may be up to 100mm short of the Trim Opening at either end. It is recommended that the bar is installed the full Width of the opening to ensure it picks up the window or door frame support blocks.

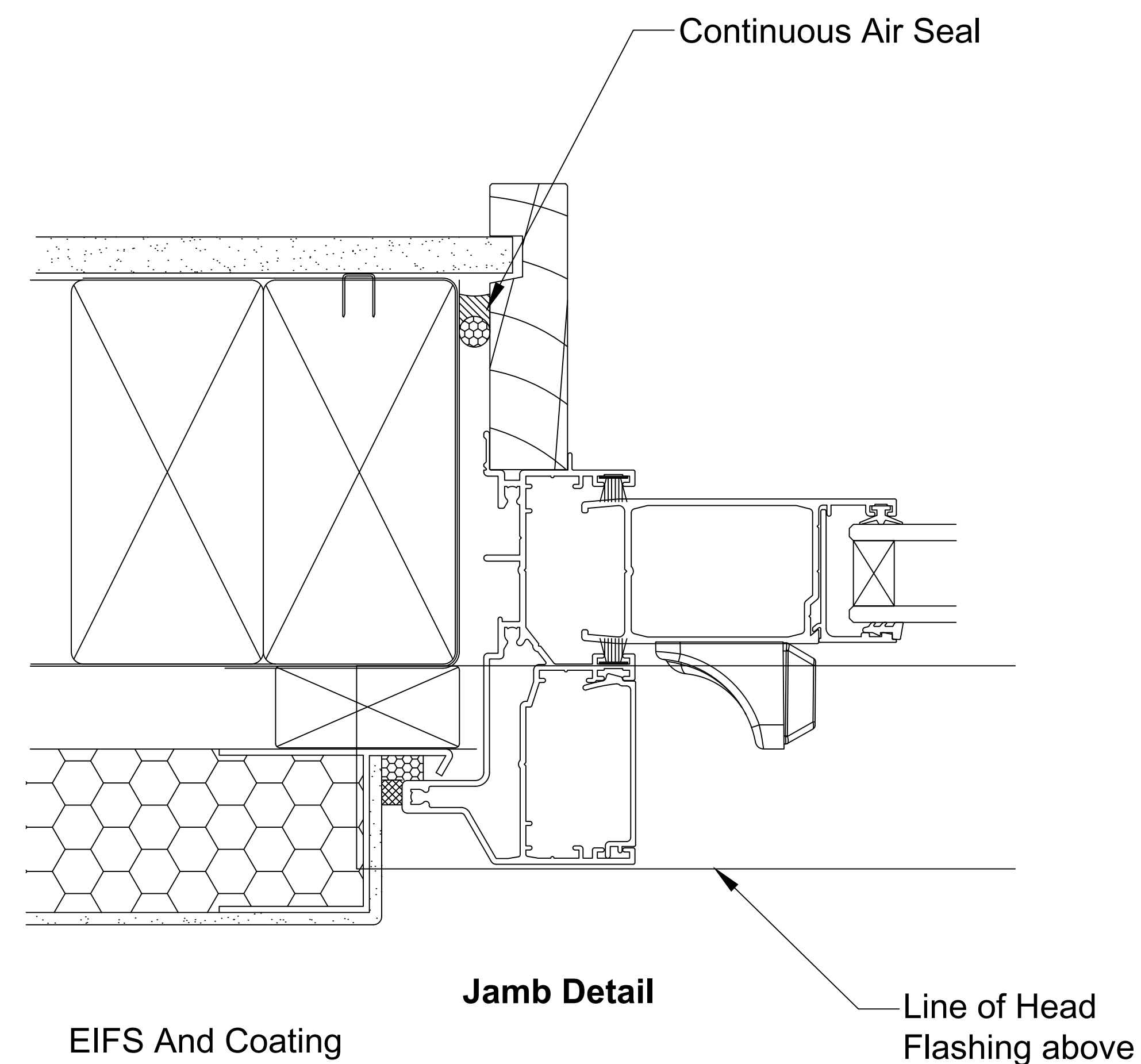
EIFS And Coating



Sill Detail



EIFS And Coating



Note 2:

Avoid mortar contact with Aluminum Joinery, if contact is made wash off with warm soapy water immediately, no abrasive contact or solvents to be used.

Note:

Sill support bar may be up to 100mm short of the Trim Opening at either end. It is recommended that the bar is installed the full Width of the opening to ensure it picks up the window or door frame support blocks.