

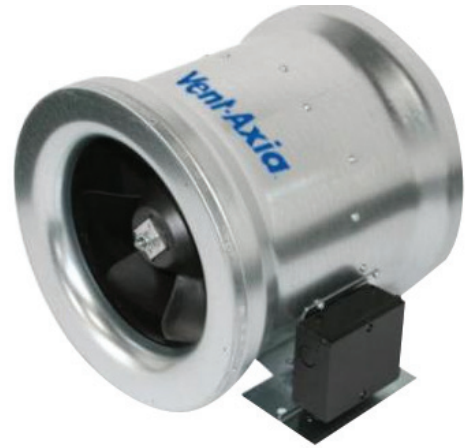
# VENT-AXIA INLINE MIXED FLOW FANS

## ACM METAL MODELS

The Vent-Axia ACM range of Mixed Flow Inline fans are designed for use with both rigid and flexible ducting.

They offer two and half times the pressure of conventional axial fans and are dimensionally more compact (making them ideal for many ducted applications).

The impeller blade design with guide vanes provides optimum pressure characteristics. The ACM Mixed Flow inline fan can operate in both horizontal and vertical positions.



ACM250 Mixed Flow Fan

Duct Size (mm)	Description	Order Code
250	ACM250 Mixed Flow Fan	FAN2239
315	ACM315 Mixed Flow Fan	FAN2241

- Simple Installation.
- Diagonal impeller with stator.
- Galvanised metal housing.
- Integrated thermal switch.
- Designed to meet IP54.
- Optimise fan performance by using an approved Vent-Axia controller.
- Supported by a 4 year warranty.

### Motor

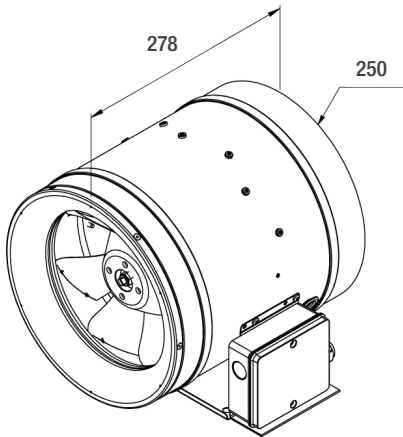
All motors are fitted with Standard Thermal Overload Protection. (S.T.O.P.). Motors are speed controllable. Designed for ambient temperatures up to +50°C. All sizes with capacitor run motors.

All sizes are Class I appliances. Supply voltage 220-240V/1/50Hz.

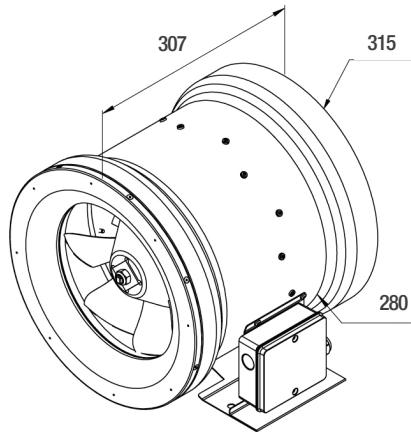
### Controller

Surface mounted providing variable speed control with an On/Off.

## DIMENSION INFORMATION (MM)



ACM250 Mixed Flow Fan



ACM315 Mixed Flow Fan

## ACOUSTICS SOUND POWER LEVEL DB(A)

Model	Hz	63	125	250	500	1K	2k	4K	8K
ACM250	Inlet	-	45	57	64	67	66	63	54
	Outlet	-	56	64	72	74	71	64	57
	Breakout	-	41	46	47	49	48	42	38
ACM315	Inlet	-	49	63	68	70	69	66	57
	Outlet	-	51	69	73	75	73	66	58
	Breakout	-	44	46	49	53	51	49	45

## PERFORMANCE DATA

Model	Performance	l/s @ Pa									Watts W	Amps A	Nominal RPM	Sound dB(A) @3m
		Pa	0	25	50	100	150	200	250	300				
ACM250	l/s	450	440	430	405	378	347	314	118	37	145	0.8	2720	52
ACM315	l/s	653	639	630	605	577	545	505	453	150	270	1.2	2820	56