

Handrail Bracket - Sierra
 Product Code: HBCF

HBCF handrail bracket flat flange

Weld on

AISI304 and AISI316 stainless steel options

Corrosion resistant - manufactured from high quality stainless steel

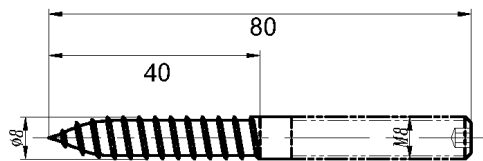
Available in satin and mirror finish

This handrail bracket complies with BIA acceptable solutions D1/AS1

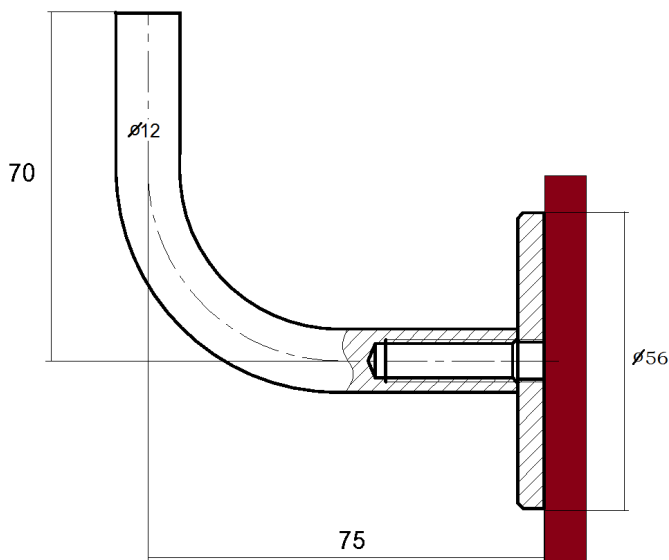


HBCF Handrail Bracket

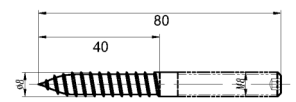
- Base plate machined from 5mm thick stainless steel
- A single 8mm lag screw concealed fixing
- 12mm diameter rod
- Recommended spacing maximum 1000mm



M8 80mm lag screw supplied



Also available with saddle



M8 80mm lag screw supplied

