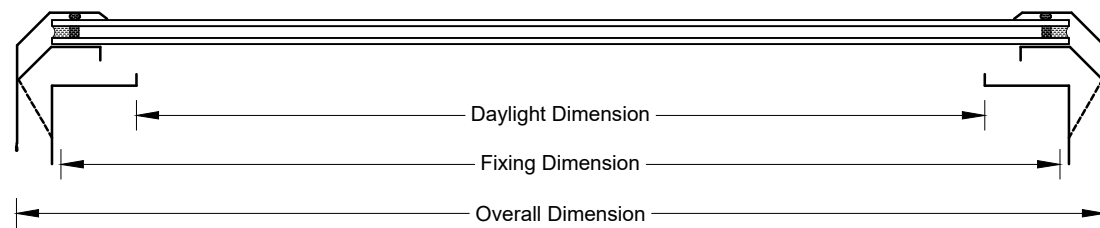
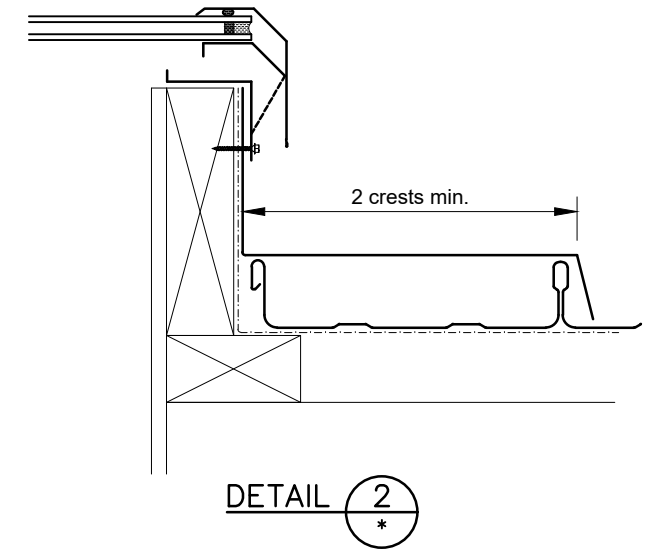
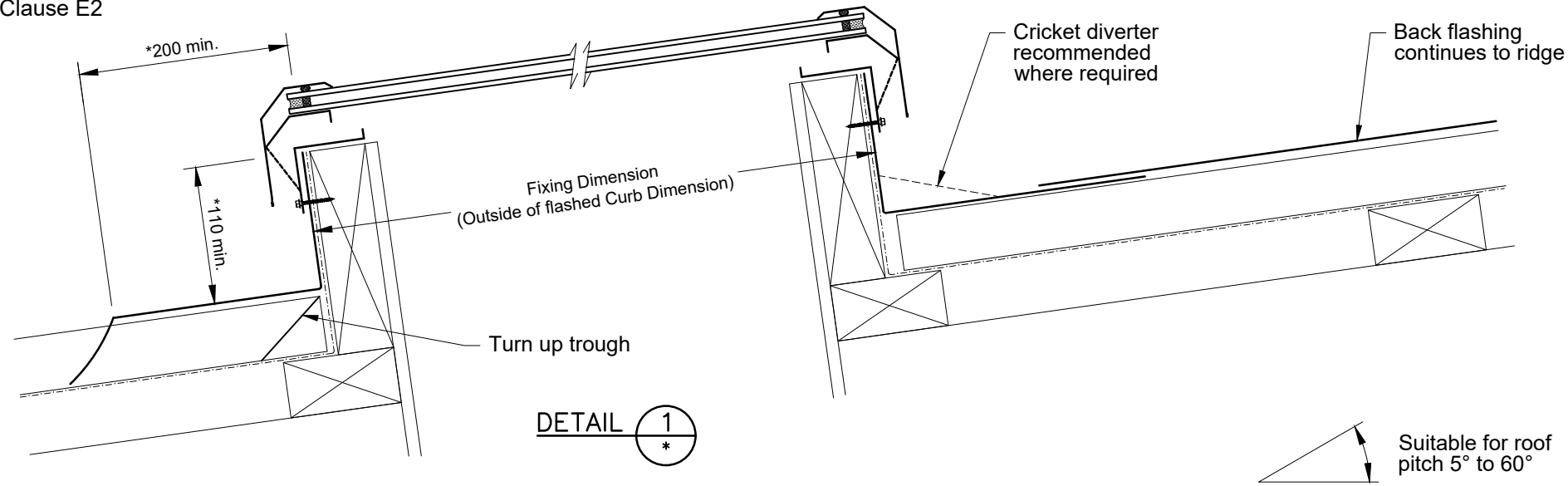
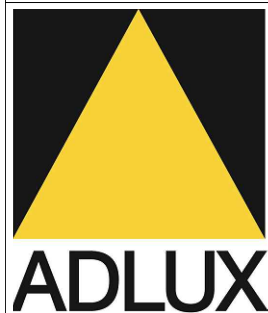
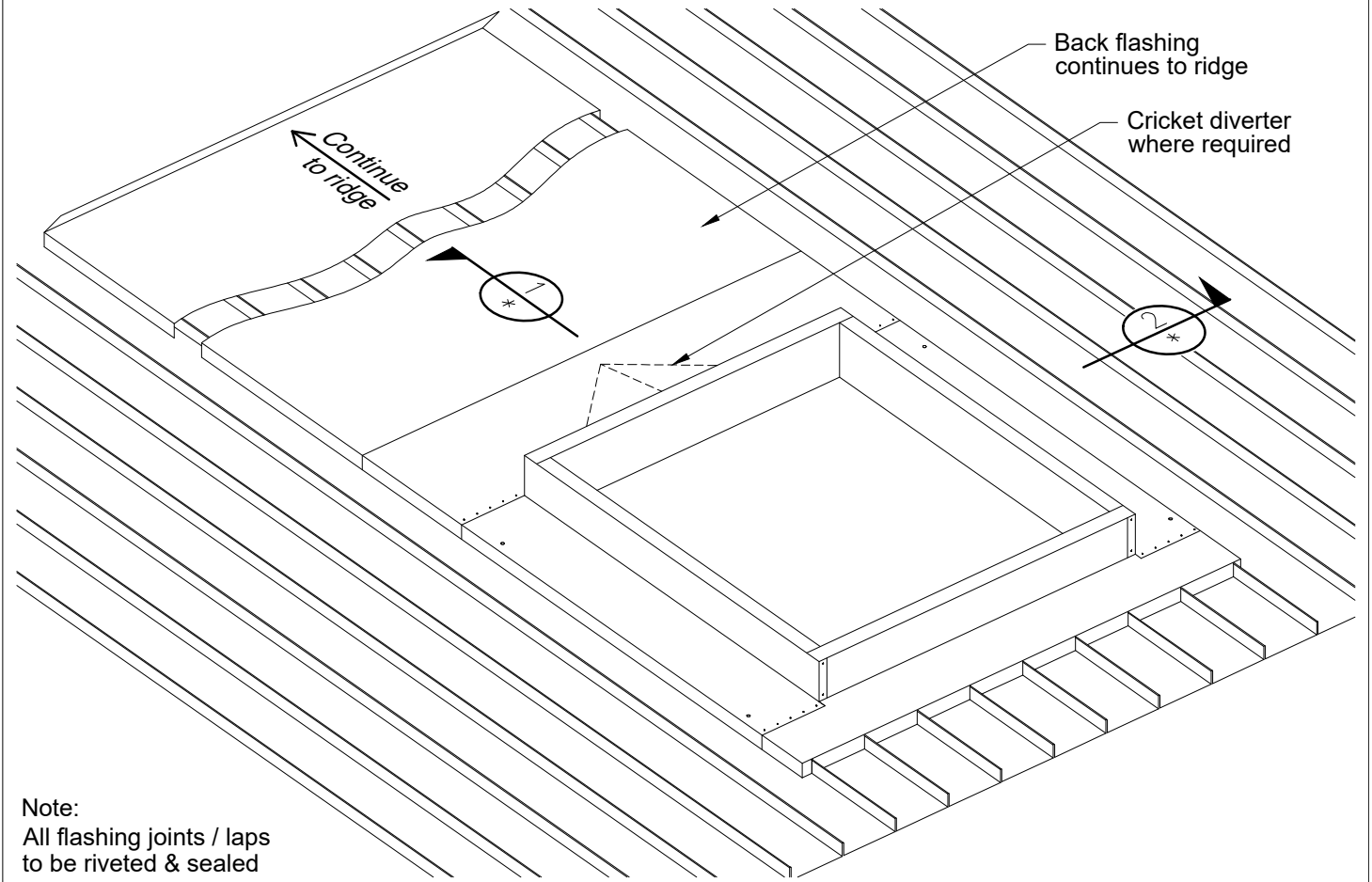


* Dimensions to be in accordance with NZBC Clause E2



| Roof Window Vent | | | | |
|------------------|-------------------------|-----------------------|------------------------|------------------------------------|
| Model No. | Daylight Dimension (mm) | Fixing Dimension (mm) | Overall Dimension (mm) | Ventilation Area (m ²) |
| RWv77 | 515 x 515 | 615 x 615 | 690 x 690 | 0.057 |
| RWv86 | 560 x 410 | 660 x 510 | 735 x 585 | 0.054 |
| RWv99 | 720 x 720 | 820 x 820 | 895 x 895 | 0.073 |
| RWv106 | 840 x 330 | 940 x 430 | 1015 x 505 | 0.062 |
| RWv108 | 840 x 640 | 940 x 740 | 1015 x 815 | 0.075 |
| RWv128 | 1040 x 640 | 1140 x 740 | 1215 x 815 | 0.083 |
| RWv137 | 1125 x 515 | 1225 x 615 | 1300 x 690 | 0.081 |
| RWv148 | 1260 x 640 | 1360 x 740 | 1435 x 815 | 0.092 |
| RWv1212 | 1040 x 1000 | 1140 x 1100 | 1215 x 1175 | 0.097 |
| RWv1313 | 1125 x 1125 | 1225 x 1225 | 1300 x 1300 | 0.106 |
| RWv1412 | 1260 x 1000 | 1360 x 1100 | 1435 x 1175 | 0.106 |

Not to scale, do not scale from drawing. All details are generic in nature and should be read in conjunction with the roofing manufacturers' standard penetration details.



ADLUX Industries Ltd. ©
 36 Olive Road, Penrose
 P.O. Box 13866, Auckland
 New Zealand.
 Ph: (09) 636 6866
 Fax: (09) 636 6846
 Email: sales@adlux.co.nz

**ROOF WINDOW vent (Double Glazed)
 TROUGH SECTION PROFILE (Back Tray)
 PITCH 5° TO 60°**

DATE: 13/02/19

DWG No: RWv-TR-BT