

INSTALLATION INSTRUCTIONS



RUAKURI STEPLIGHT 4W LED - LINEAR LHT1154 ANTHRACITE

RUAKURI STEPLIGHT 10W LED - LINEAR LHT1155 ANTHRACITE

Thank you for purchasing the Simx Lighting Ruakuri steplight. This product is suitable for sheltered exterior locations. It requires a 230V AC power supply to operate and should be installed by a registered electrician. Please read this manual before installation and retain for future reference.

TECHNICAL SPECIFICATIONS

Power Source	220-240V AC 50Hz	
Wattage	LHT1154	4W
	LHT1155	10W
LED Colour	3000K, CRI80	
Lumens	LHT1154	130 lumens
	LHT1155	380 lumens
Beam Spread	Imax = 45°, Beam 100 x 40°	
IP Rating	IP65	
Safety	Class I	
Mounting	Wall (recessed)	
Construction	Die-cast aluminium housing	
Warranty	5 years	



DIMENSIONS (mm)

Model	Cut-out Size	Cover	Depth
LHT1154	153 x 58	160 x 66	73
LHT1155	273 x 58	280 x 66	73

Specifications are subject to change without notice

! IMPORTANT

This product is suitable for use only with a supply voltage of 220-240V AC.

All electrical work must be carried out in accordance with local and national electrical codes as applicable. We strongly recommend that this light fitting is installed by a registered electrician.

Always switch power off prior to installation. A means of mains power isolation must be installed in the circuit for the purpose of safe access for any internal cleaning, recalibration, or maintenance.

This light fitting is not intended for use by persons (including children) with reduced physical, sensory or mental capabilities, or lack of experience and knowledge, unless they have been given supervision or instruction concerning use of the appliance by a person responsible for their safety. Young children should be supervised to ensure that they do not play with the appliance.

Any changes or modifications made or attempted to this product, without the prior written approval of the manufacturer, will void any and all stated warranties.

BEFORE YOU START

Please read all the instructions prior to installation.

The Ruakuri steplight should be wired to its own light switch. Do not interconnect with other lamp types on the same switch.

To achieve best results, please consider the following points:

- This light fitting is rated to IP65 making it suitable for exposed exterior locations. Please ensure the desired location does not exceed this rating.
- The recommended mounting height is between 400-600mm above ground level.
- An earth connection must be used for electrical safety.

INSTALLATION

We strongly recommend this light fitting is installed by a registered electrician

- Switch off the power supply before commencing any electrical work.
- Select desired mounting location and cut hole into the wall. Care should be taken to avoid drilling or screwing into concealed electrical wiring/plumbing (see dimensions - Fig. 2).
- Connect the power supply through the flush box to the external cabling of the light base. Incorrect polarity may cause catastrophic failure of the driver or LED (Fig. 4).
- Fit the supplied flush box into the wall aperture. Secure in place with the swing-out stays or with liquid adhesive or slurry (Fig. 3).
- Clip the luminaire into the flush box (Fig. 5).
- Reconnect power supply and test.

Fig. 1

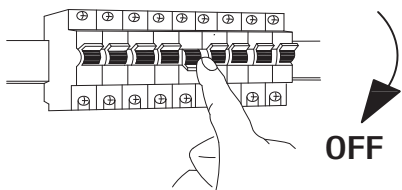


Fig. 2

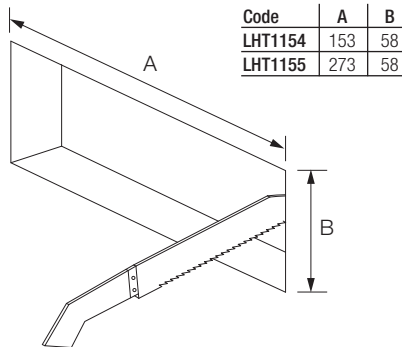


Fig. 3

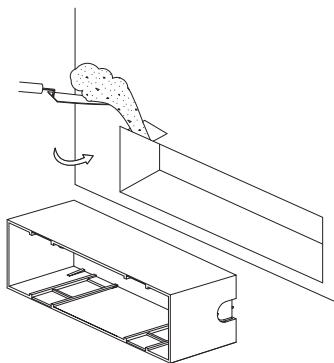


Fig. 4

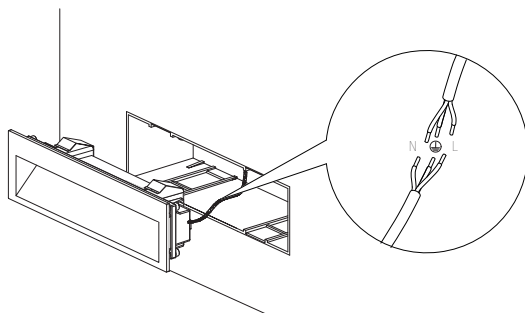


Fig. 5

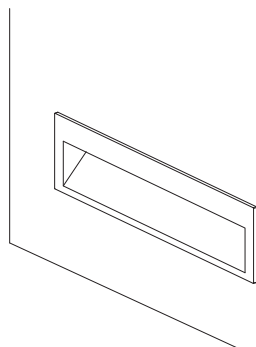
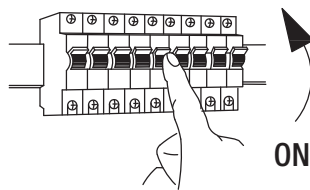


Fig. 6



PRODUCT COMPLIANCES

EN60598-1:2015

EN60598-2.1:1989

EN62031:2008

EN62493:2015

EN55015:2013

EN61547:2009

EN61000-3.2:2014

EN61000-3.3:2013

and all relevant amendments

MANUFACTURERS EXTENDED WARRANTY

This product is guaranteed by SIMX Ltd and Ventair Pty Ltd for 5 years from the date of purchase against faulty materials or workmanship which affects its designed ability to operate. During this period if the product has a defect of this nature it will be repaired or replaced free of charge by SIMX with the same item, or a similar one of higher specification.

ON CONDITION THAT:

- The buyer returns it to the seller from whom it was bought, freight paid.
- The product has been bought by the user (ie. a receipt/sales invoice is produced as proof of purchase).
- The product has not been misused or handled carelessly, installed in any way contrary to the installation instructions, or installed in any unusually exposed or harsh environmental conditions.

This guarantee excludes liability for discolouration and/or delamination of paint or plastic, or any user serviceable parts. It does not confer any rights other than those expressly set out above and does not cover any claims for consequential loss or damage.

Our Goods come with guarantees that cannot be excluded under either Australian, or New Zealand, Consumer Law.

You are entitled to a replacement or refund for a major failure and for compensation for any other reasonably foreseeable loss or damage. You are also entitled to have the Goods repaired or replaced if the Goods fail to be of acceptable quality and the failure does not amount to a major failure.



Distributed in New Zealand by Simx Ltd

Ph: +64 9 259 1660 | Technical Support Ph: +64 9 259 1662
e: sales@simx.co.nz | www.simx.co.nz

Distributed in Australia by Ventair Pty Ltd

4 Capital Place, Carrum Downs, 3201 VIC, AUSTRALIA.
Technical Support: 1300 665 926

e: info@ventair.com.au | www.ventair.com.au | www.simx.com.au