

BGC**Fibre Cement**

Note: Accurate slot to be cut in weatherboard to enable fit around head flashing. Prevent moisture ingress at end of slot by sealing gap. Refer detail NU-07 D

Flashing tape over Wall underlay fitted around corner as shown

Wall underlay

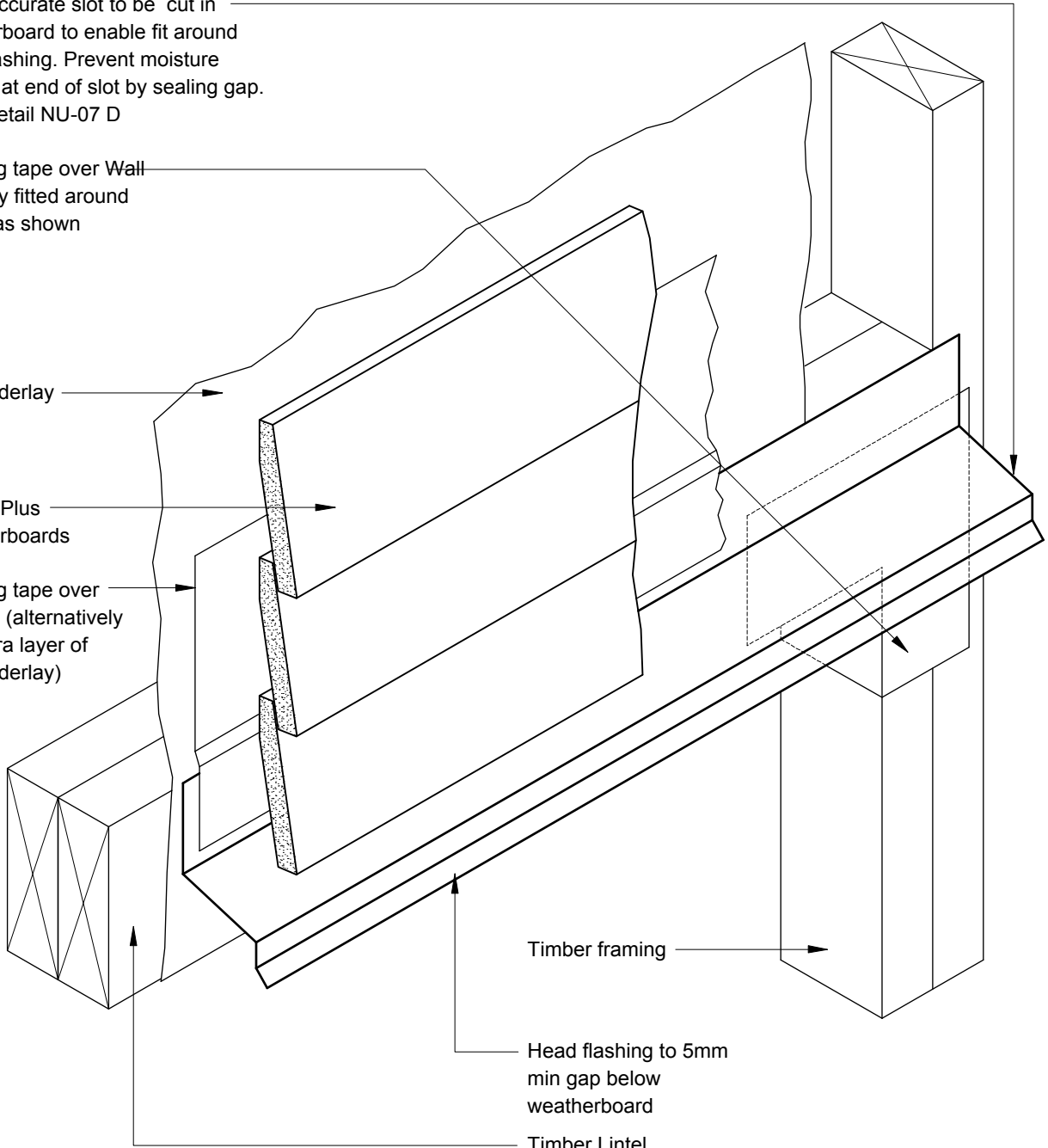
NuLine Plus Weatherboards

Flashing tape over flashing (alternatively use extra layer of Wall underlay)

Timber framing

Head flashing to 5mm min gap below weatherboard

Timber Lintel



PROFILE NuLine™ Plus Weatherboards

DATE Sep 2012

DETAIL Window Head/Jamb Junction
Detail Direct Fixed

SCALE 1:5 @ A4

DETAIL NO. NU-26 D