

WAIPORI SINK MIXER INSTALLATION GUIDE

TECHNICAL SPECIFICATIONS

Operating Pressure:

Min 35kPa, Max 1000kPa.

Recommended 35kPa - 500kPa.

Recommended installation of a pressure limiting valve if supply exceeds 500kPa.

Operating Temperature:

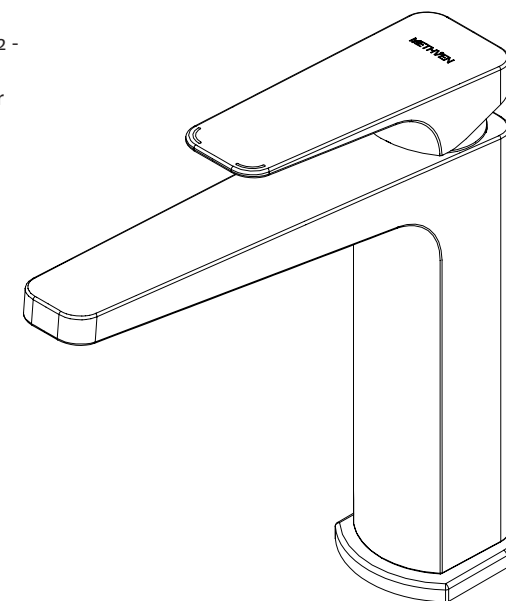
Hot: Max 80°C.

Cold: Min 5°C.

NB: New Zealand Building Code Clause G12 - Water Supplies specifies all outlets used primarily for personal hygiene shall deliver water at a safe temperature.

Inlet Connections:

All 1/2" BSP.



Methven warrants this product against manufacturing defects and that it is suitable for use under the operating conditions specified in this instruction sheet.

For your warranty please refer to www.methven.com or call Customer Service

New Zealand
0800 804 222

Australia
1300 638 483

UK
0800 195 1602



WAIPORI

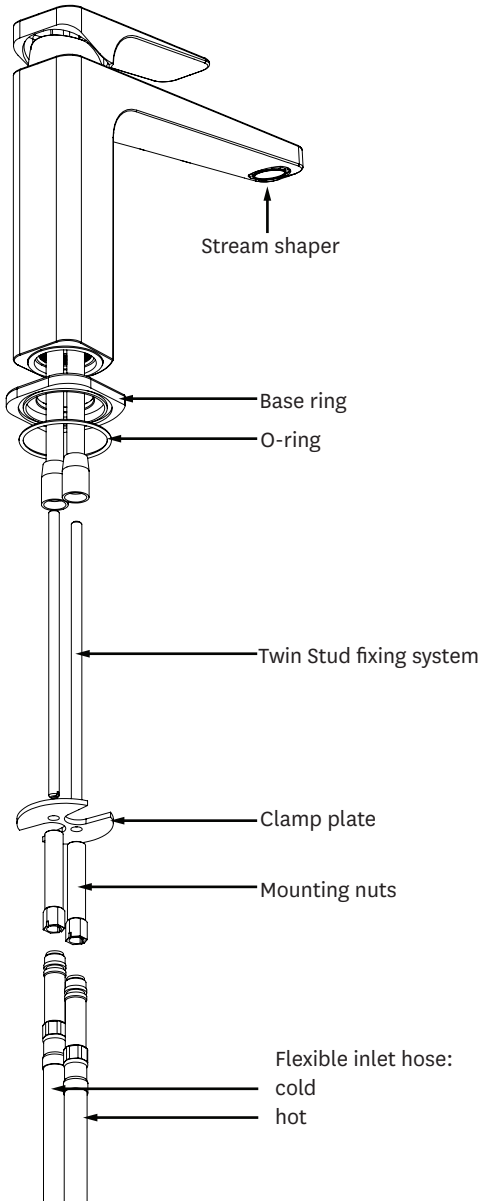
METHVEN

IMPORTANT

Please read all of the instructions before installation

This mixer is designed for equal and unequal pressure systems.

All pipework must be thoroughly flushed prior to the installation of the mixer. In-line filters must be fitted on both hot and cold supplies to prevent foreign particles damaging the ceramic cartridge.



Equal Low Pressure and Unequal Pressure Installations

Remove flow restricted (yellow) stream shaper using cache key. Replace with un-restricted (white) Slim HC stream straightner.

