



## INSTALLATION INSTRUCTIONS

# Roof

## PINK® BATT® CEILING INSULATION

### Installation Instructions

Correct installation with no compression, gaps or folds is critical to ensure Pink® Batts® ceiling insulation performance is not compromised.

#### Safety:

Each installation is unique so prior to installation check for all hazards that may cause injury:

- Carry out any required repair work before starting installation
- Ensure there's adequate lighting to identify any hazards
- Treat all electrical cables as live, being careful not to cut or expose cables and wires
- Beware of other sharp objects (protruding nails, splinters etc.), pests (bees and wasps), loose boards and pipe work

- Avoid installing during the warmest part of the day. The roof cavity temperature can increase to uncomfortable levels

- Do not stand on ceiling or ceiling battens

**Note:** Seek professional advice if you are unsure how best to isolate the hazard or have a professional installer carry out the work on your behalf.

We recommend PinkFit® professional installers. PinkFit® are a nationwide network of professional installers who guarantee that their completed installation will meet the requirements of NZS 4246:2016.

Call **0800 746 534** for your local PinkFit® installer

**Installation:**

Any slight irritation to exposed skin caused by the fibres in glass wool, or through their inhalation, is harmless and temporary.

However for your comfort while installing, it's recommended you wear:

- Loose fitting work clothes which cover the arms and legs
- Covered shoes
- Dust mask
- Safety glasses

For safety while installing, it's recommended you use:

- Cut resistant gloves (if knife is used)
- Kneepads (for retrofitting)

For an efficient installation, the following tools are recommended:

- Stable working platform (for new build)
- Kneeling board or planks (for retrofitting)
- Knife
- Tape measure
- Install rod for tight spaces
- Head torch (for retrofitting)

For retrofitting, take into consideration:

- Using planks laid across joists to walk and work on
- Leveling and refitting any existing insulation if required with correct clearances
- Removing any damp insulation
- Starting installation at the point furthest away from the ceiling access hole

To ensure Pink® Batts® ceiling insulation performance isn't compromised, confirm the correct product and R-value is used in ceiling applications.

- Ensure the product is installed dry
- Friction fit product between framing, ensuring there are NO gaps, folds or compression of the product to achieve optimal performance
- If cutting is required, cut oversize by 5-10mm to ensure a good friction fit
- Ensure that Pink® Batts® ceiling segments are firmly butted against each other
- For retrofitting, install over timber where insulation already exists or where appropriate. Any open air pockets beside joist/truss cord ends at the roof perimeter to be blocked off with insulation off-cuts
- Fit Pink® Batts® insulation beneath electrical wiring and plumbing work. Minimise tucks
- Install to the outer edge of the top plate covering at least 50% of it while ensuring minimal overflow to the eaves
- Maintain a 25mm gap clearance between the Pink® Batts® insulation and any roofing material. If required, to maintain 25mm clearance, trim insulation or use a thinner product around the perimeter
- Insulate access hole cover and secure in place with strapping or glue
- Remove excess material



**Tip:** To verify Building Code Compliance, staple a product label at an easy to find location away from any hot items such as downlights or water cylinders e.g. on truss/rafter above ceiling access hole and hot water cupboard.



**Note:** Pink® Batts® ceiling insulation shall not be installed in a roof space where foil has been installed as a roof underlay.

Refer to NZS 4246:2016 for full details.

## Clearances

Follow the clearances specified by the manufacturer; if they are not known then:

### Recessed Luminaire

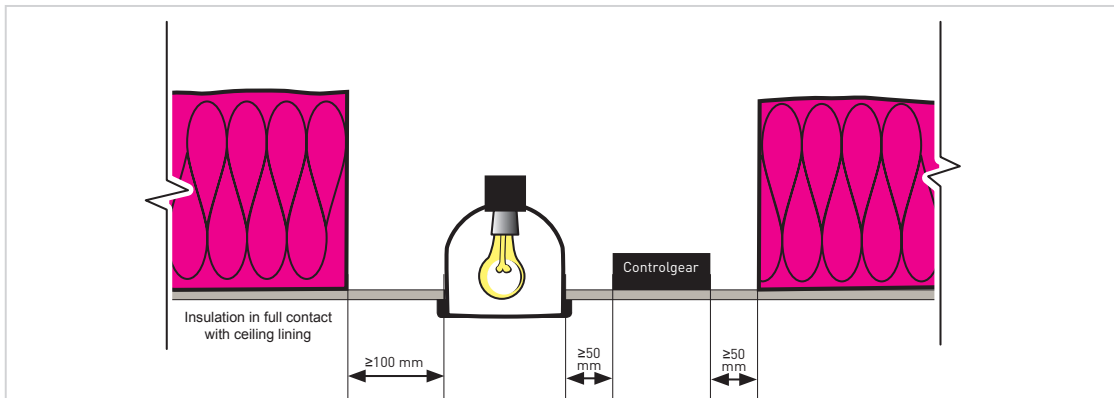
- CA rated recessed luminaires - Nil, however do not install insulation on top of the recessed luminaire
- IC rated recessed luminaires - Nil, insulation can be installed over the top of the recessed luminaire
- Unmarked - Minimum 100mm

**Surface Mounted Luminaire** - Minimum clearance 200mm; however it does not apply if the insulation is permanently shielded.

### Controlgear

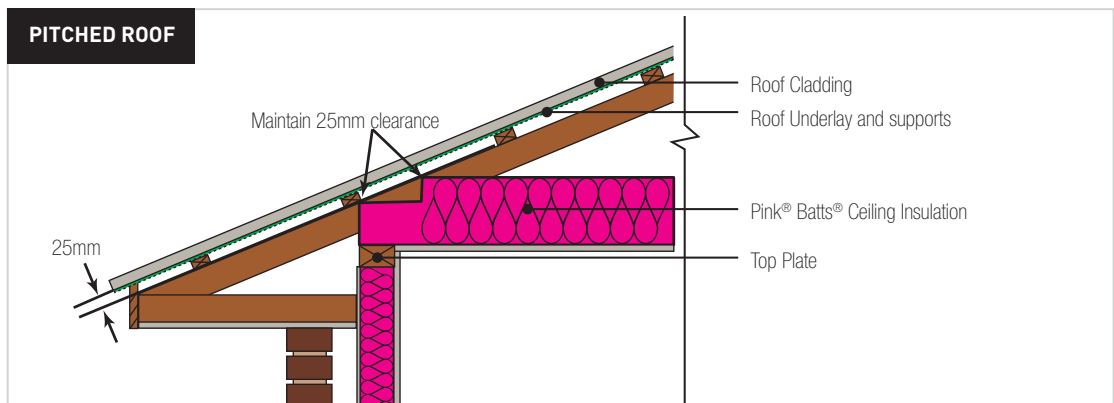
- If possible place it on top of the insulation and leave a minimum clearance of 50mm between controlgear and luminaire
- If not possible to place it on top of the insulation and leave 50mm from the insulation to the controlgear

Controlgear **shall not** sink into the insulation.



Unmarked luminaire and controlgear not placed on top of Pink® Batts® ceiling products.

- Built in appliances - Minimum 50mm
- Enclosures containing electrical equipment
- Fan/heat/light unit - Minimum 100mm
- Ventilation systems - Minimum 50mm
- Unducted mechanical fan units - Minimum 200mm
- Unducted passive vents that remain functional - Minimum 200mm
- Metal chimney and flues - Minimum 75mm
- Brick chimney - Minimum 50mm
- Roof underlay - Minimum 25mm



**Note:** Pink® Batts® ceiling insulation can be installed from below when the ceiling is to be lined or replaced

**\*Caution:** Electrical cables and equipment partially or completely surrounded with bulk thermal insulation may overheat and fail. This applies to wiring installed prior to 1989.

**pink batts®**

**Always.**

## Product Guide

	LIFETIME WARRANTY#	BRANZ APPRAISED	ENVIRONMENTAL CHOICE	GREENGUARD CERTIFICATION	CODE	SIZE (mm)	NOMINAL STABILISED THICKNESS* (mm)	NOMINAL TOTAL AREA PER PACK (m <sup>2</sup> )	APPROX COVER-AGE PER PACK** (m <sup>2</sup> )
Pink® Batts® Classic R1.8 Ceiling	✓	✓		✓	7110118	1220 X 432	95	13.7	14.4
Pink® Batts® Classic R2.2 Ceiling	✓	✓		✓	7110122	1220 X 432	115	12.6	13.3
Pink® Batts® Classic R2.6 Ceiling	✓	✓		✓	7110126	1220 X 432	140	10.5	11.1
Pink® Batts® Classic R3.2 Ceiling	✓	✓		✓	7110132	1220 X 432	170	8.4	8.8
Pink® Batts® Classic R3.6 Ceiling†	✓	✓	✓†	✓	7110136	1220 X 432	180	7.4	7.7
Pink® Batts® Ultra® R4.0 Ceiling	✓	✓	✓	✓	7110140	1220 X 432	195	6.3	6.6
Pink® Batts® Ultra® R5.0 Ceiling	✓	✓	✓	✓	7110150	1220 X 432	220	4.2	4.4
Pink® Batts® Ultra® R6.0 Ceiling	✓	✓	✓	✓	7110160	1220 X 432	235	3.7	3.9
Pink® Batts® Ultra® R6.3 Ceiling	✓	✓	✓	✓	7110163	1220 X 432	250	3.2	3.3
Pink® Batts® Ultra® R7.0 Ceiling	✓	✓	✓	✓	7110170	1220 X 432	260	2.6	2.8

### ROOF - Retrofit Insulation

Pink® Batts® Retrofit R2.9 Ceiling	✓	✓		✓	7110129	1220 X 432	150	9.5	10.0
Pink® Batts® Retrofit R3.3 Ceiling	✓	✓		✓	7110133	1220 X 432	175	2.8	8.8

\* Designers should allow for an additional 10% increase in loft for restricted cavities e.g skillion roofs

\*\* Coverage relates to standard structure and actual coverage may vary.

† This product is manufactured in both New Zealand and Australia. Environmental Choice New Zealand applies to New Zealand made products only.

# For full details of the Pink® Batts® Lifetime Warranty visit [pinkbatts.co.nz](http://pinkbatts.co.nz)

## Storage and Maintenance

Pink® Batts® insulation should be protected from damage and weather. Store under cover in clean dry conditions. The installed product should remain dry at all times. If the product has become wet or damp, the source of the dampness (e.g. leak in roof) should be repaired immediately and any wet or damp insulation should be removed and replaced with new product of an equivalent R-value.

## Disposal of bags

Recyclable LLDPE bags are used for packaging of Pink® Batts® insulation. These bags are categorised as Rec 4 and can be placed in a recyclable refuse collection bin. For further details download the relevant product data sheet from [pinkbatts.co.nz](http://pinkbatts.co.nz)

## Accreditations/Appraisals/Certifications



Tasman Insulation New Zealand Ltd  
Certified QMS



‡ R3.6 ceiling product is manufactured in both New Zealand and Australia. Environmental Choice New Zealand applies to New Zealand made products only.

# For full details of the Pink® Batts® Lifetime Warranty visit [pinkbatts.co.nz](http://pinkbatts.co.nz)



### DISTRIBUTED BY

Tasman Insulation New Zealand Ltd  
9-15 Holloway Place, Penrose, Auckland,  
New Zealand

This document supersedes all previous versions and may have been superseded; is a guide only and the purchaser should ascertain the suitability of this product for the end-use situation intended and when used in conjunction with other products; and is provided without prejudice to Tasman Insulation New Zealand Ltd (Tasman) standard terms of sale. Tasman retains the right to change specifications without prior notice. Refer to [www.pinkbatts.co.nz](http://www.pinkbatts.co.nz) or consult Tasman for further information. Do not use this product for any application not detailed in this document. All claims about this product are subject to any variation caused by normal manufacturing process and tolerances. The liability of Tasman and its employees and agents for any errors or omissions in this document or otherwise in relation to the product is limited to the fullest extent permitted by law. Except where the consumer acquires the goods for the purposes of a business, any rights a consumer may have under the Consumer Guarantees Act are not affected. The colour PINK and Pink® are registered trademarks of Owens Corning used under license by Tasman Insulation. Batts® is the registered trade mark of Tasman Insulation.



Always.