

### Batten options

1. Treated timber battens should have castellated profile to permit air passage and minimum 15° slope edge to shed water.

Impervious barrier ( MDPE ) or similar tape between cladding and batten.  
To comply with NZBC E2/AS1 - table 23.

Note:  
Some machining of vertical battens may be required to avoid "build up".  
i.e. back flashings / tapes

### 2. Cavity plastic Batten

Note:  
packing/shims may be needed to ensure boards are fitted flat without distortion.

\* Additional timber may be required at soffit to support UA 5831 Soffit Base.

### Note: Important

Underlay strips to isolate aluminium from treated timber battens 50 mm wide medium density polyethylene ( MDPE )

To comply with NZBC E2/AS1 - table 23. Properties of roofing underlays and wall underlays, separates aluminium components and accessories from timber battens treated with copper-based treatments in NZS 3604.

Cavity closers required as per NZBC clause E2/AS1 ( section 9.1.8 )

0.9 x 90mm Aluminium Track Flashing.  
Alternatively use Dynex Dynafash.

Locator Clips fixed at Max 600 mm horizontal centres with 8g x 2" CSK Sq S/S self tapping screws through batten into stud.

Vertical cavity batten (corners only) fixed with 6g x 1.25" CSK Sq S/S pre-drilled screws through batten into stud

5 MIN

Minimum 5 mm clearance to allow for thermal expansion

Ultraclad® UA 7094 Female Corner Flashing

Ultraclad® UA 7095 Male Corner Flashing fixed to timber battens with 30 x 2.5 mm stainless steel clouts at 600 mm vertical centres

5 MIN

Ultraclad® UA 5104 weatherboard

Note: Underlay strips to isolate aluminium from treated timber battens Refer V00

Cavity batten Refer V00 Batten Options

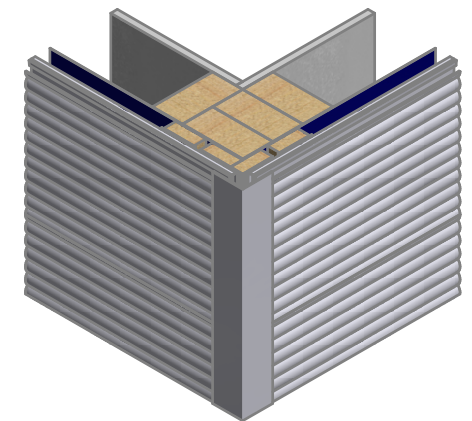
Locator Clip UA 4535

Building underlay continuous around corner

Wall frame

Interior lining

Note: Ensure to alternate spacings of fixings for battens and Locator Clips to avoid risk of splitting batten



**ULLTRACLAD**®  
ALUMINIUM WEATHERBOARDS

ULLTRACLAD ALUMINIUM CO LTD  
PO Box 98 843 Manukau City Auckland 2241  
118 Wiri Station Road Wiri 2104 New Zealand  
TL 09 262 6262 Ext. 814 Mob 021 541 563

www.ulltraclad.co.nz

© ULLRICH ALUMINIUM - All Rights Reserved

**H01**

Rev : 08

**External Corner on Cavity**  
**UA 5104 FULL CORRUGATE BOARD**

**HORIZONTAL CAVITY SYSTEM**

Scale: 1 : 2 @ A4 - 2017

Brnz Appraisal #487 2012. (Horizontal)

Locator Clips fixed at Max 600 mm horizontal centres with 8g x 2" CSK Sq S/S self tapping screws through batten into stud.

Note: Underlay strips to isolate aluminium from treated timber battens Refer V00

Ulltraclad® UA 7094 Female Corner Flashing fixed to timber battens with 30 x 2.5 mm stainless steel clouts at 600 mm vertical centres

Minimum 5 mm clearance to allow for thermal expansion

Ulltraclad® UA 7095 Male Corner Flashing

5 MIN

5 MIN

10

10

10

Interior lining

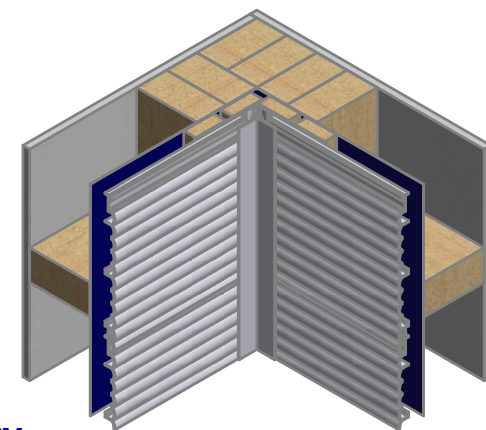
Building underlay continuous around corner

Cavity batten Refer V00 Batten Options

Note: double stud required at internal corners

Vertical cavity batten (corners only) fixed with 6g x 1.25" CSK Sq S/S pre-drilled screws through batten into stud

Note: Ensure to alternate spacings of fixings for battens and Locator Clips to avoid risk of splitting batten



**ULLTRACLAD**®  
ALUMINIUM WEATHERBOARDS

ULLTRACLAD ALUMINIUM CO LTD  
PO Box 98 843 Manukau City Auckland 2241  
118 Wiri Station Road Wiri 2104 New Zealand  
TL 09 262 6262 Ext. 814 Mob 021 541 563

www.ulltraclad.co.nz

© ULLRICH ALUMINIUM - All Rights Reserved

**H02**

Rev : 08

**Internal Corner on Cavity**  
**UA 5104 FULL CORRUGATE BOARD**

**HORIZONTAL CAVITY SYSTEM**

Scale: 1 : 2 @ A4 - 2017

Brnz Appraisal #487 2012. (Horizontal)

Minimum 5 mm clearance to allow for thermal expansion

Ultraclad® UA 6324 Joints Bottom fixed to wall frame with 30 x 2.5 mm clouts at 600 mm centres

Cavity batten Refer V00 Batten Options

Note: Underlay strips to isolate aluminium from treated timber battens Refer V00

5 MIN 5 MIN

Minimum 5 mm clearance to allow for thermal expansion

Ultraclad® UA 7096 Flat Joints Top

Ultraclad® UA 5104 weatherboard

Building underlay

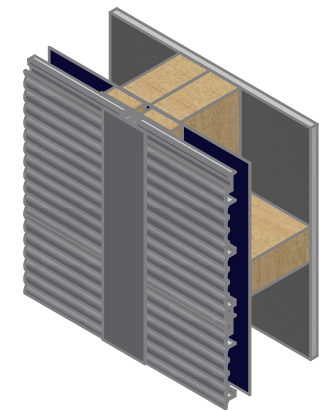
Drained and vented cavity as per NZBC clause E2/AS1 (section 9.1.8)

10

Note: Ensure to alternate spacings of fixings for battens and Locator Clips to avoid risk of splitting batten

Interior lining

Double studs behind vertical jointer



**ULLTRACLAD**®  
ALUMINIUM WEATHERBOARDS

ULLTRACLAD ALUMINIUM CO LTD  
PO Box 98 843 Manukau City Auckland 2241  
118 Wiri Station Road Wiri 2104 New Zealand  
TL 09 262 6262 Ext. 814 Mob 021 541 563

www.ulltracdad.co.nz

© ULLRICH ALUMINIUM - All Rights Reserved

**H03**

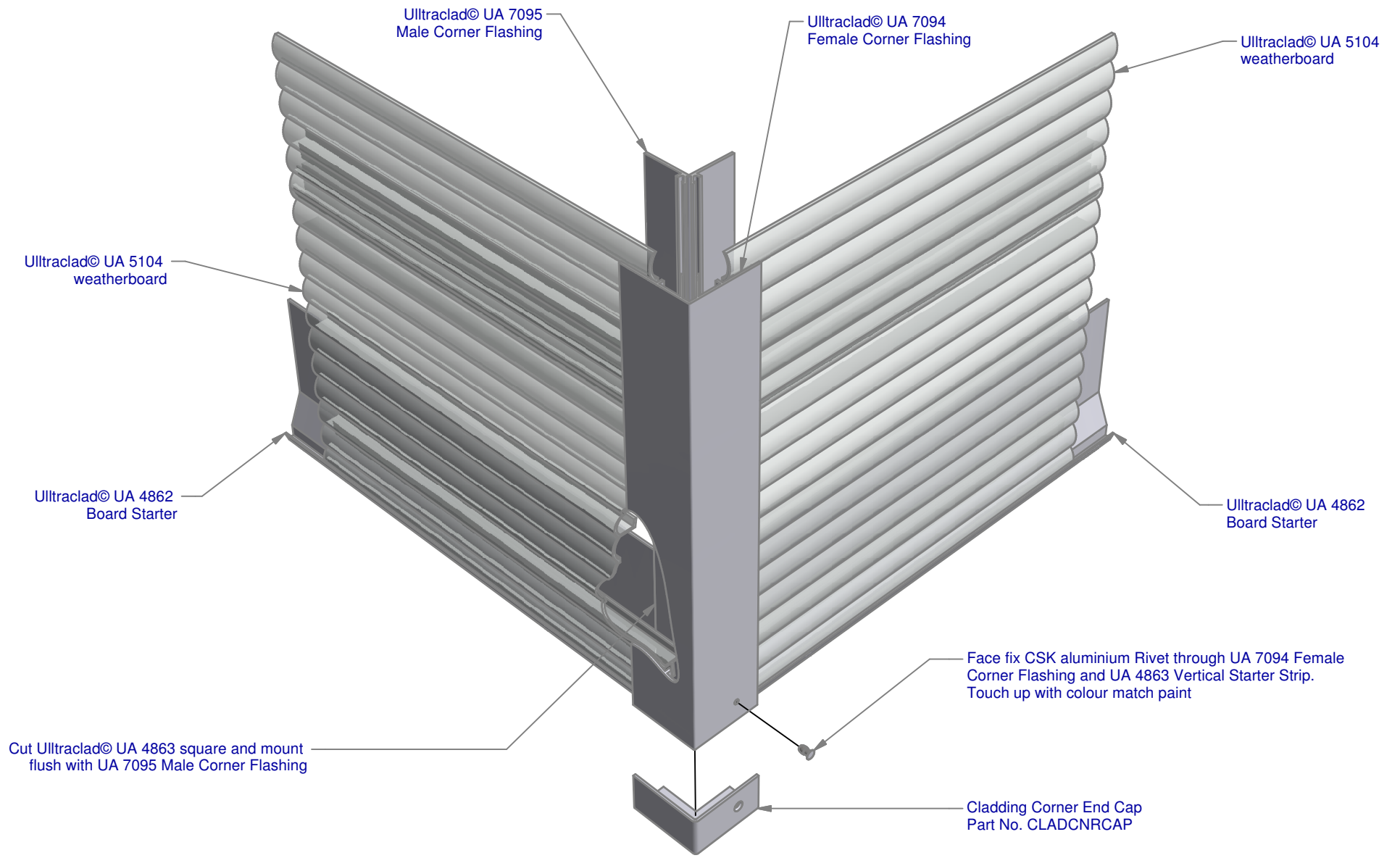
Rev : 08

**Horizontal Wall Jointer**  
**UA 5104 FULL CORRUGATE BOARD**

**HORIZONTAL CAVITY SYSTEM**

Scale: 1 : 2 @ A4 - 2017

Brnz Appraisal #487 2012. (Horizontal)



Ultraclad® UA 5104 weatherboards (horizontal) fixed with Locator Clips fixed at Max 600 mm horizontal centres with 8g x 2" CSK Sq S/S self tapping screws through batten into stud.

Cavity batten  
Refer V00 Batten Options

Building underlay

Note: Underlay strips to isolate aluminium from treated timber battens  
Refer V00

Cavity batten  
Refer V00 Batten Options

Ultraclad® UA 4862 Board Starter or alternatively use UA 4863 fixed to bottom plate with 50 x 2.5mm clouts at 600 mm centres

Ultraclad® Cavity Vent Strip  
Alternatively use PVC type

Note: 100 mm minimum to permanent paving or 175 mm to unpaved ground to clause 9.1.3 of E2/AS1

Concrete slab or Blockwork

Finished ground level

Interior lining

Bottom plate over DPC

Note: Ensure to alternate spacings of fixings for battens and Locator Clips to avoid risk of splitting batten

10

6 mm overhang (optional)

50

100

**ULLTRACLAD**<sup>®</sup>  
ALUMINIUM WEATHERBOARDS

ULLTRACLAD ALUMINIUM CO LTD  
PO Box 98 843 Manukau City Auckland 2241  
118 Wiri Station Road Wiri 2104 New Zealand  
TL 09 262 6262 Ext. 814 Mob 021 541 563

www.ulltracoad.co.nz

© ULLRICH ALUMINIUM - All Rights Reserved

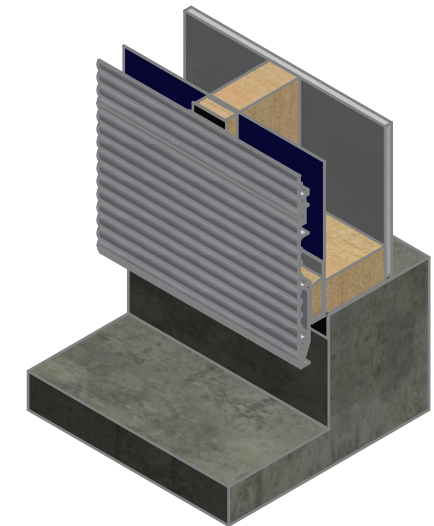
**H05**

Rev : 08

**Vertical Wall Starter**  
**UA 5104 FULL CORRUGATE BOARD**

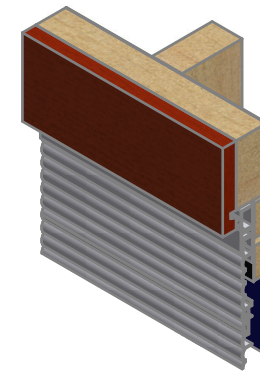
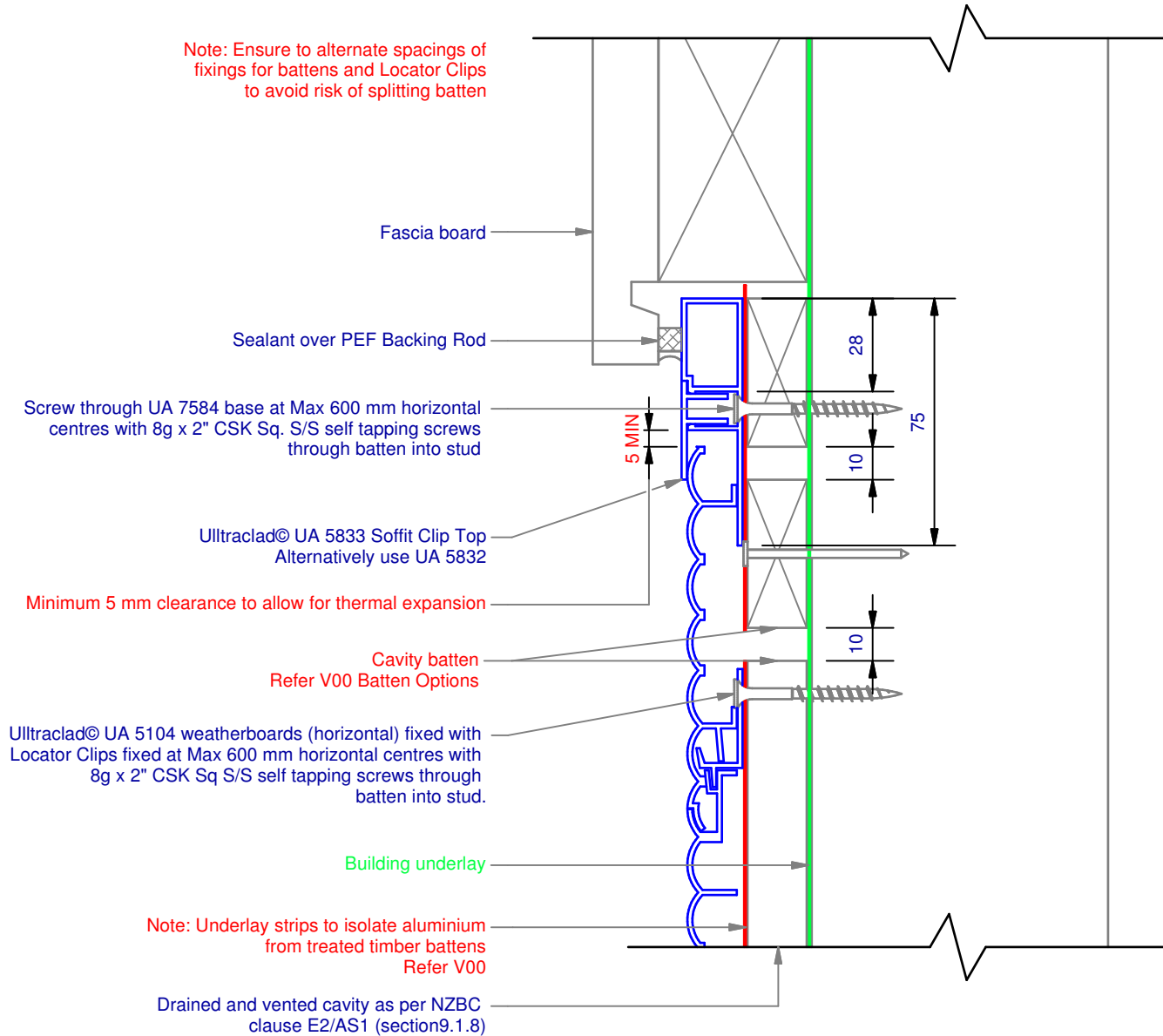
**HORIZONTAL CAVITY SYSTEM**

Scale: 1 : 2 @ A4 - 2017



Brnz Appraisal #487 2012. (Horizontal)

Note: Ensure to alternate spacings of fixings for battens and Locator Clips to avoid risk of splitting batten



**ULLTRACLAD**<sup>®</sup>  
ALUMINIUM WEATHERBOARDS

ULLTRACLAD ALUMINIUM CO LTD  
PO Box 98 843 Manukau City Auckland 2241  
118 Wiri Station Road Wiri 2104 New Zealand  
TL 09 262 6262 Ext. 814 Mob 021 541 563

www.ulltracalad.co.nz

© ULLRICH ALUMINIUM - All Rights Reserved

**H06**

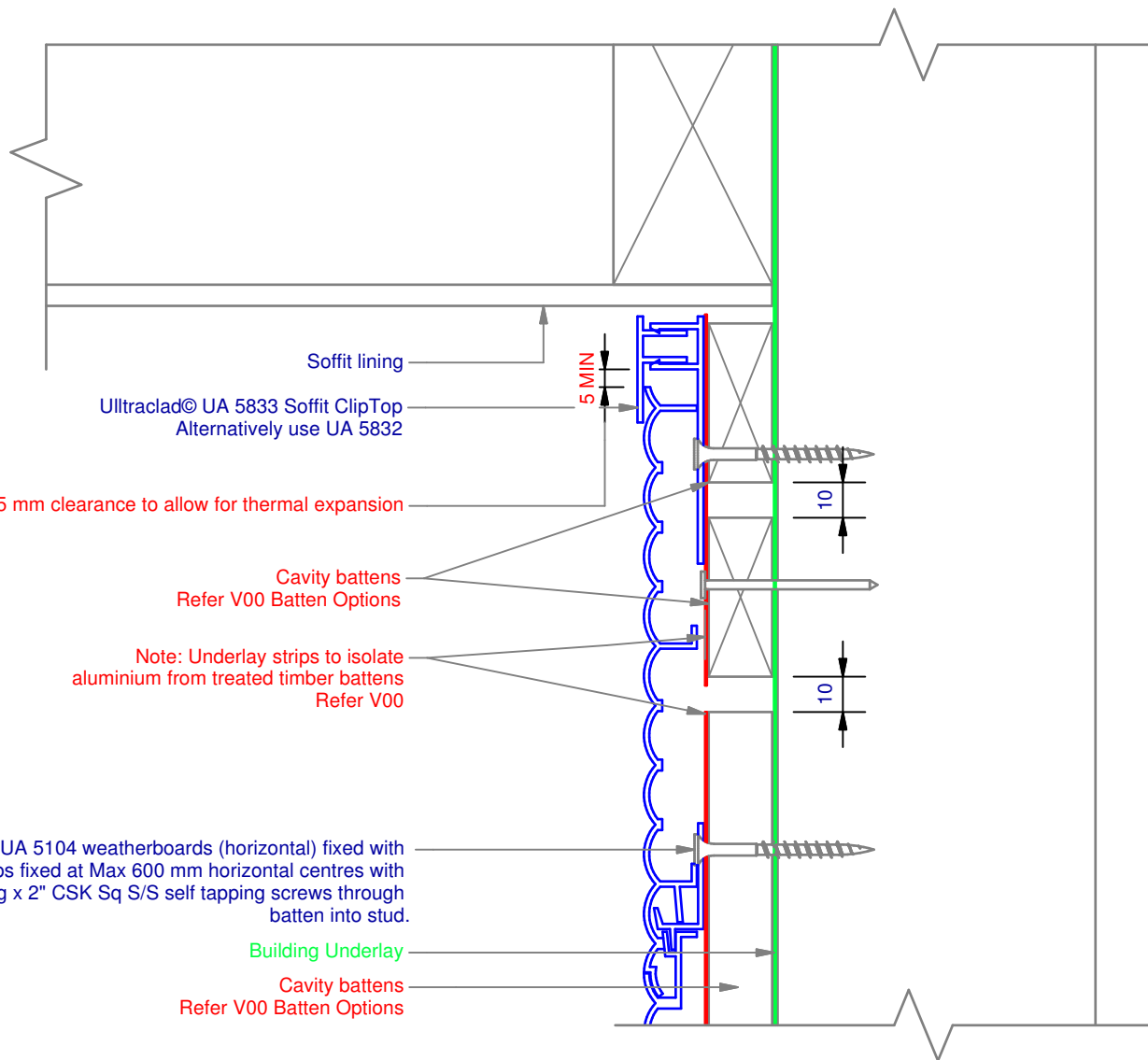
Rev : 08

**No Soffit Detail on Cavity**  
**UA 5104 FULL CORRUGATE BOARD**

**HORIZONTAL CAVITY SYSTEM**

Scale: 1 : 2 @ A4 - 2017

Brnz Appraisal #487 2012. (Horizontal)



Note: Ensure to alternate spacings of fixings for battens and Locator Clips to avoid risk of splitting batten

Soffit lining

Ulltraclad® UA 5833 Soffit ClipTop  
Alternatively use UA 5832

5 MIN

Minimum 5 mm clearance to allow for thermal expansion

Cavity battens  
Refer V00 Batten Options

Note: Underlay strips to isolate aluminium from treated timber battens  
Refer V00

10

10

Ulltraclad® UA 5104 weatherboards (horizontal) fixed with Locator Clips fixed at Max 600 mm horizontal centres with 8g x 2" CSK Sq S/S self tapping screws through batten into stud.

Building Underlay

Cavity battens  
Refer V00 Batten Options

**ULLTRACLAD**®  
ALUMINIUM WEATHERBOARDS

ULLTRACLAD ALUMINIUM CO LTD  
PO Box 98 843 Manukau City Auckland 2241  
118 Wiri Station Road Wiri 2104 New Zealand  
TL 09 262 6262 Ext. 814 Mob 021 541 563

www.ulltraclad.co.nz

© ULLRICH ALUMINIUM - All Rights Reserved

**H07**

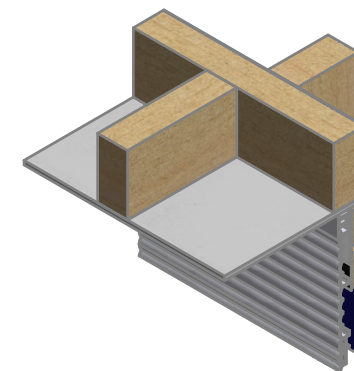
Rev : 08

### Soffit Detail on Cavity

UA 5104 FULL CORRUGATE BOARD

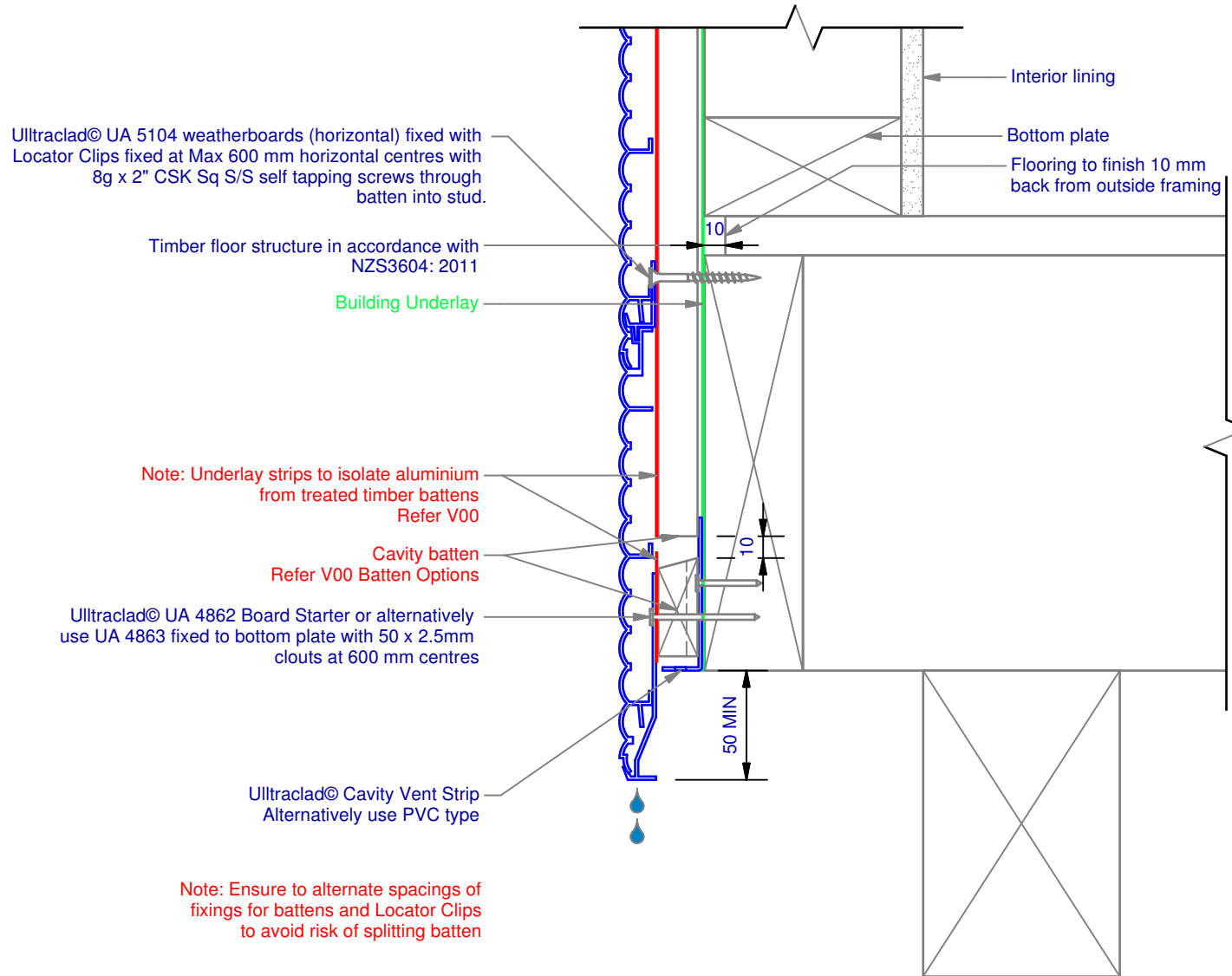
HORIZONTAL CAVITY SYSTEM

Scale: 1 : 2 @ A4 - 2017



Brnz Appraisal #487 2012. (Horizontal)





Ultraclad® UA 5104 weatherboards (horizontal) fixed with Locator Clips fixed at Max 600 mm horizontal centres with 8g x 2" CSK Sq S/S self tapping screws through batten into stud.

Timber floor structure in accordance with NZS3604: 2011

Building Underlay

Note: Underlay strips to isolate aluminium from treated timber battens Refer V00

Cavity batten Refer V00 Batten Options

Ultraclad® UA 4862 Board Starter or alternatively use UA 4863 fixed to bottom plate with 50 x 2.5mm clouts at 600 mm centres

Ultraclad® Cavity Vent Strip Alternatively use PVC type

Note: Ensure to alternate spacings of fixings for battens and Locator Clips to avoid risk of splitting batten

Interior lining

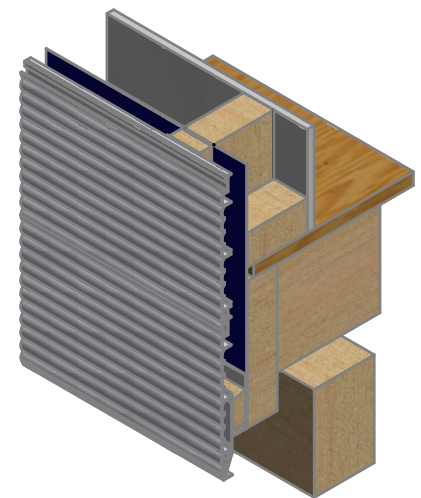
Bottom plate

Flooring to finish 10 mm back from outside framing

**H08**  
Rev : 08

**Timber Floor on Cavity**  
**UA 5104 FULL CORRUGATE BOARD**

**HORIZONTAL CAVITY SYSTEM**  
Scale: 1 : 3 @ A4 - 2017



Ultraclad® UA 5104 weatherboards (horizontal) fixed with Locator Clips fixed at Max 600 mm horizontal centres with 8g x 2" CSK Sq S/S self tapping screws through batten into stud.

Building underlay continuous behind head flashing and into opening

Note: Underlay strips to isolate aluminium from treated timber battens Refer V00

Cavity batten Refer V00 Batten Options

Fixed to lintel at 600 mm centres with 50 x 2.5 mm stainless steel cloustr.

Ultraclad® Cavity Vent Strip Alternatively use PVC

Ultraclad® UA 4533 Head Starter 5 mm diameter drainage holes drilled through base of Head Starter at 300 mm centres

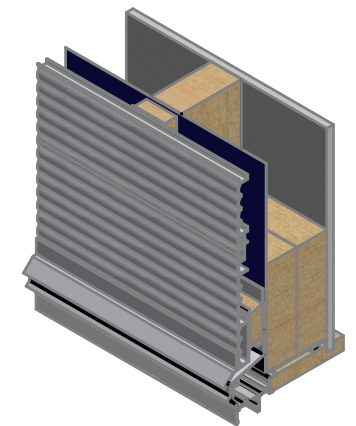
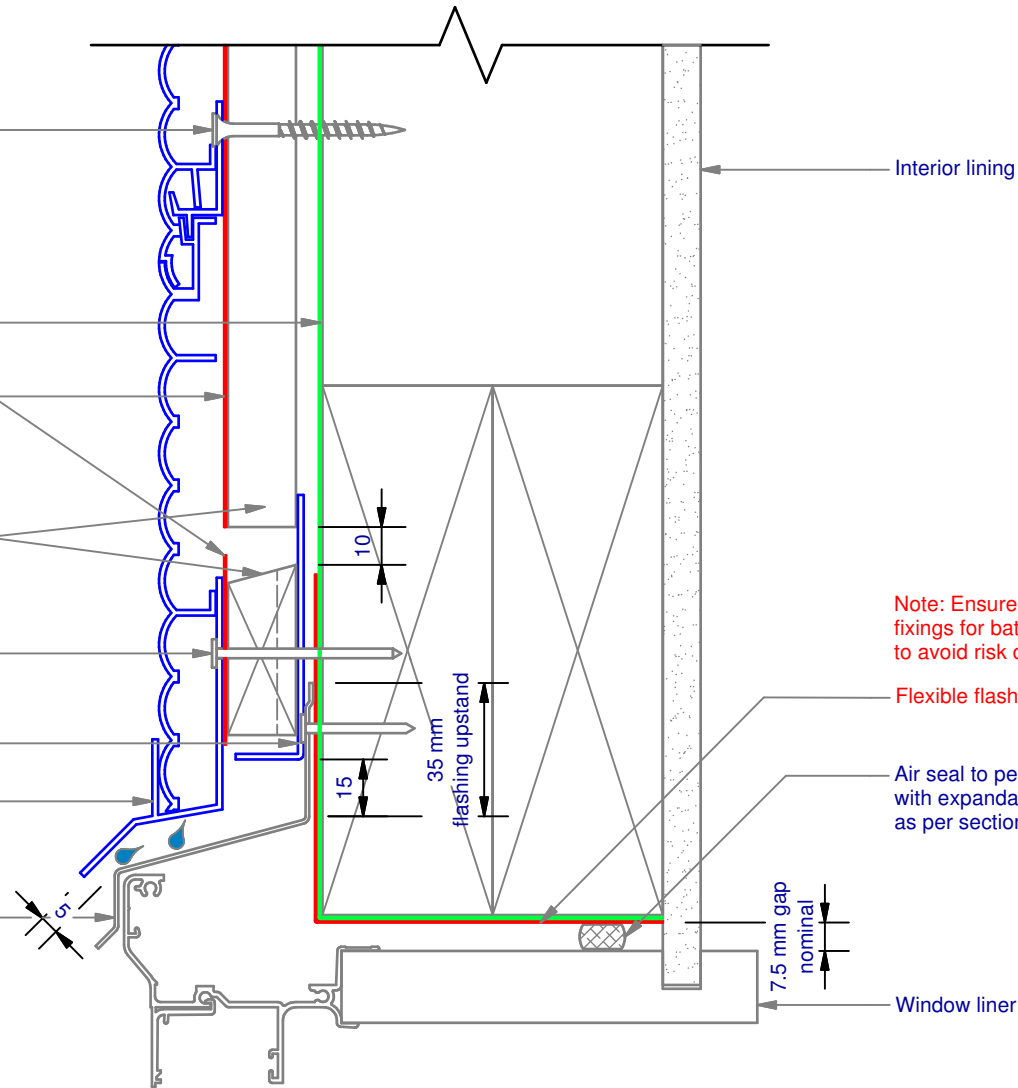
Window head flashing (15° slope) folded stop end. (Note: not supplied with Ultraclad® system - contractor to supply as additional flashing)

Interior lining

Note: Ensure to alternate spacings of fixings for battens and Locator Clips to avoid risk of splitting batten

Flexible flashing tape at corners  
Air seal to perimeter of trim cavity with expandable foam or sealant as per section 9.1.6 of E2/AS1

Window liner



**ULLTRACLAD**®  
ALUMINIUM WEATHERBOARDS

ULLTRACLAD ALUMINIUM CO LTD  
PO Box 98 843 Manukau City Auckland 2241  
118 Wiri Station Road Wiri 2104 New Zealand  
TL 09 262 6262 Ext. 814 Mob 021 541 563

www.ulltraclad.co.nz

© ULLRICH ALUMINIUM - All Rights Reserved

**H09**

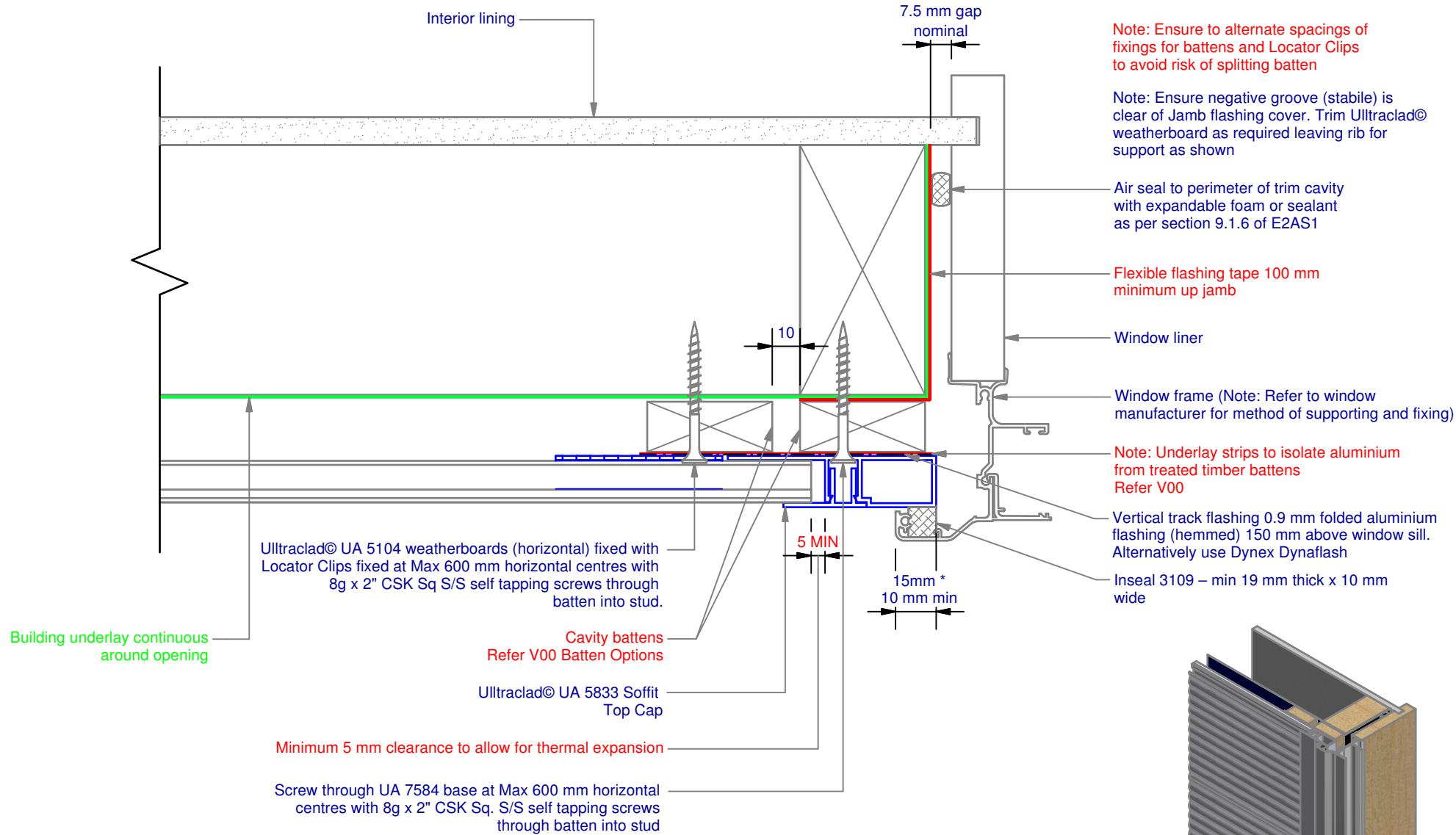
Rev : 08

**Window Head on Cavity**  
**UA 5104 FULL CORRUGATE BOARD**

**HORIZONTAL CAVITY SYSTEM**

Scale: 1 : 2 @ A4 - 2017

Brnz Appraisal #487 2012. (Horizontal)



Building underlay continuous around opening

Ulltraclad® UA 5104 weatherboards (horizontal) fixed with Locator Clips fixed at Max 600 mm horizontal centres with 8g x 2" CSK Sq S/S self tapping screws through batten into stud.

Cavity battens Refer V00 Batten Options  
Ulltraclad® UA 5833 Soffit Top Cap

Minimum 5 mm clearance to allow for thermal expansion

Screw through UA 7584 base at Max 600 mm horizontal centres with 8g x 2" CSK Sq. S/S self tapping screws through batten into stud

Note: Ensure to alternate spacings of fixings for battens and Locator Clips to avoid risk of splitting batten

Note: Ensure negative groove (stable) is clear of Jamb flashing cover. Trim Ulltraclad® weatherboard as required leaving rib for support as shown

Air seal to perimeter of trim cavity with expandable foam or sealant as per section 9.1.6 of E2AS1

Flexible flashing tape 100 mm minimum up jamb

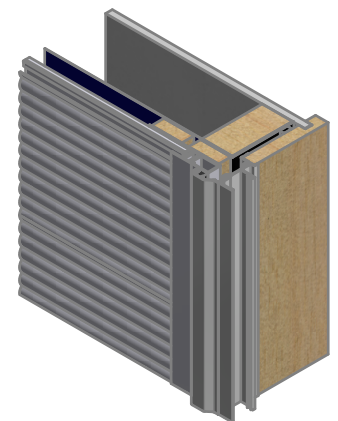
Window liner

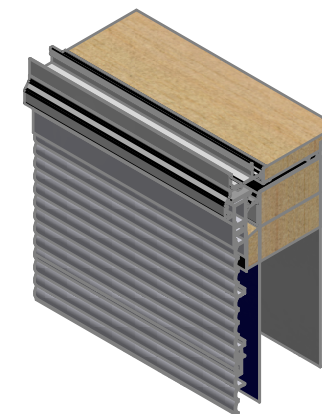
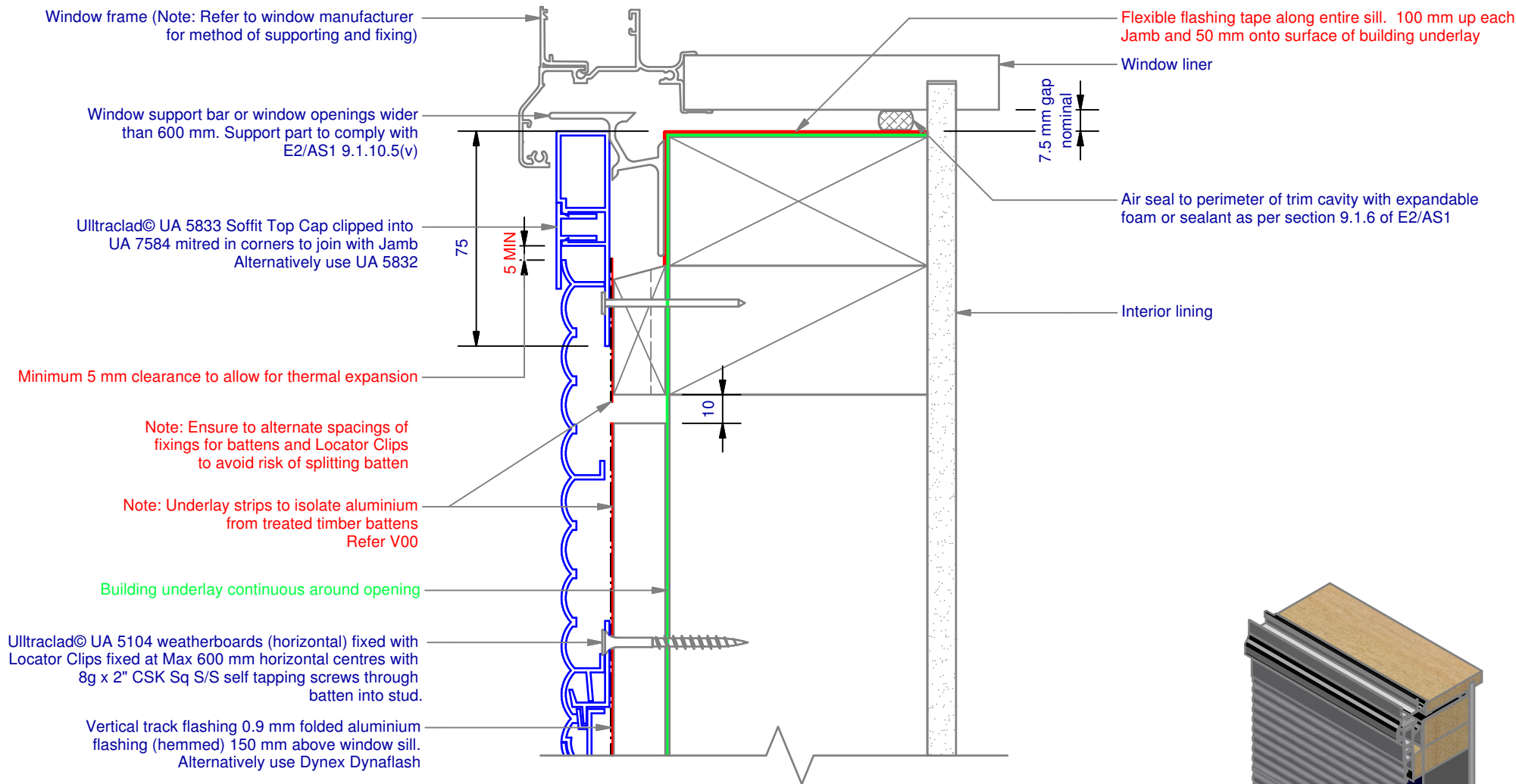
Window frame (Note: Refer to window manufacturer for method of supporting and fixing)

Note: Underlay strips to isolate aluminium from treated timber battens Refer V00

Vertical track flashing 0.9 mm folded aluminium flashing (hemmed) 150 mm above window sill. Alternatively use Dynex Dynafash

Insole 3109 – min 19 mm thick x 10 mm wide





**ULLTRACLAD**®  
ALUMINIUM WEATHERBOARDS

ULLTRACLAD ALUMINIUM CO LTD  
PO Box 98 843 Manukau City Auckland 2241  
118 Wiri Station Road Wiri 2104 New Zealand  
TL 09 262 6262 Ext. 814 Mob 021 541 563

www.ulltraclad.co.nz

© ULLRICH ALUMINIUM - All Rights Reserved

**H11**

Rev : 08

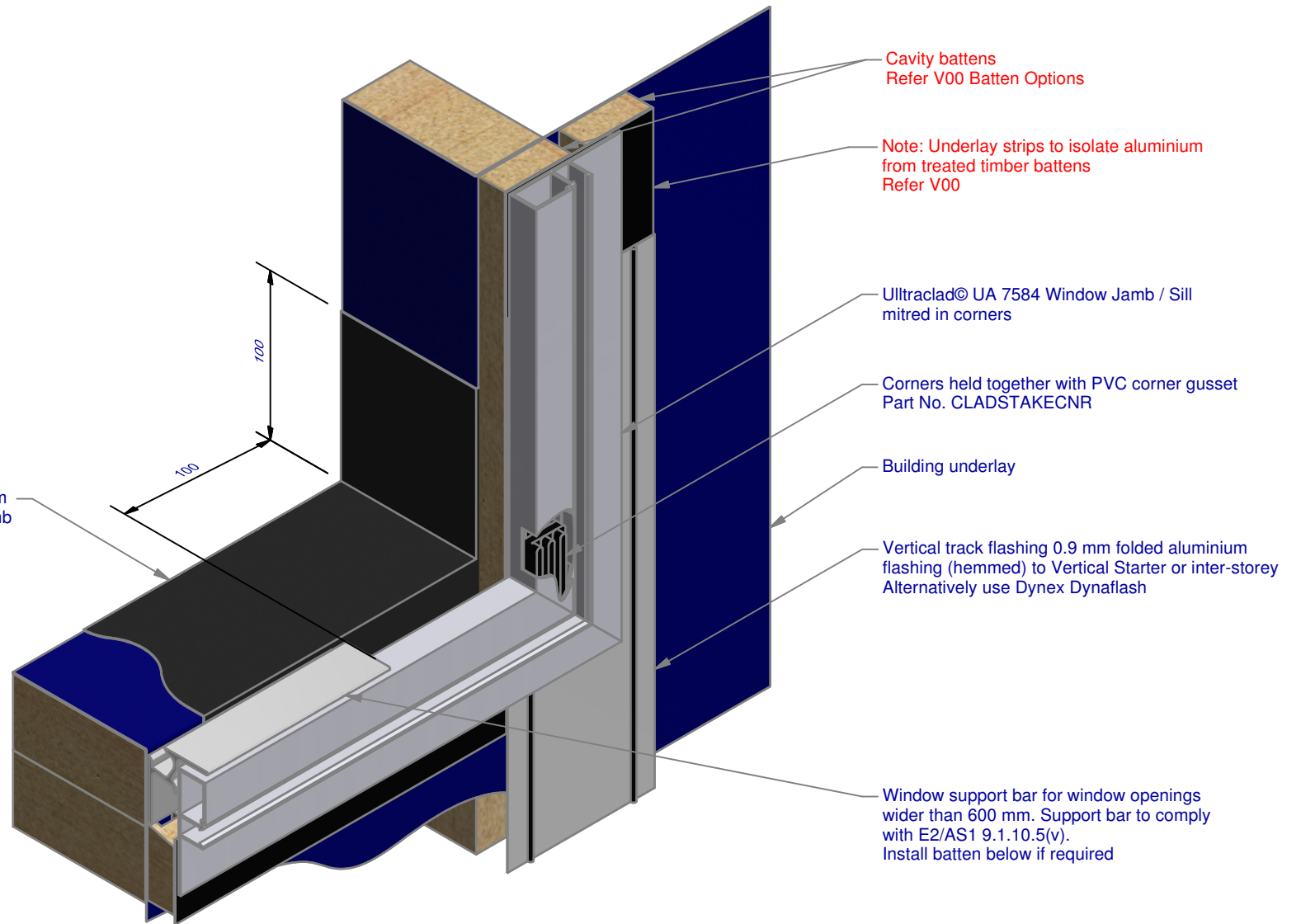
## Window Sill on Cavity

UA 5104 FULL CORRUGATE BOARD

HORIZONTAL CAVITY SYSTEM

Scale: 1 : 2 @ A4 - 2017

Brnz Appraisal #487 2012. (Horizontal)



Cavity battens  
Refer V00 Batten Options

Note: Underlay strips to isolate aluminium  
from treated timber battens  
Refer V00

Ultraclad® UA 7584 Window Jamb / Sill  
mitred in corners

Corners held together with PVC corner gusset  
Part No. CLADSTAKECNR

Building underlay

Vertical track flashing 0.9 mm folded aluminium  
flashing (hemmed) to Vertical Starter or inter-storey  
Alternatively use Dynex Dynafash

Window support bar for window openings  
wider than 600 mm. Support bar to comply  
with E2/AS1 9.1.10.5(v).  
Install batten below if required

Flexible flashing tape along sill to continue 50 mm  
onto face of wall and 100 minimum up each Jamb

**ULLTRACLAD**®  
ALUMINIUM WEATHERBOARDS

ULLTRACLAD ALUMINIUM CO LTD  
PO Box 98 843 Manukau City Auckland 2241  
118 Wiri Station Road Wiri 2104 New Zealand  
TL 09 262 6262 Ext. 814 Mob 021 541 563

www.ulltraclad.co.nz

© ULLRICH ALUMINIUM - All Rights Reserved

**H12**

Rev : 08

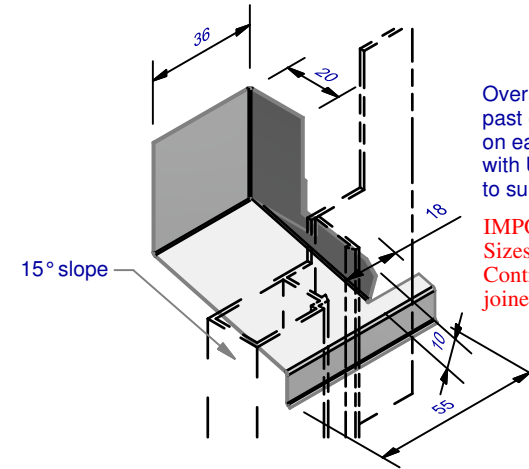
**Sill-Jamb on Cavity**  
**UA 5104 FULL CORRUGATE BOARD**

**HORIZONTAL CAVITY SYSTEM**

Scale: 1 : 3 @ A4 - 2017

Brnz Appraisal #487 2012. (Horizontal)

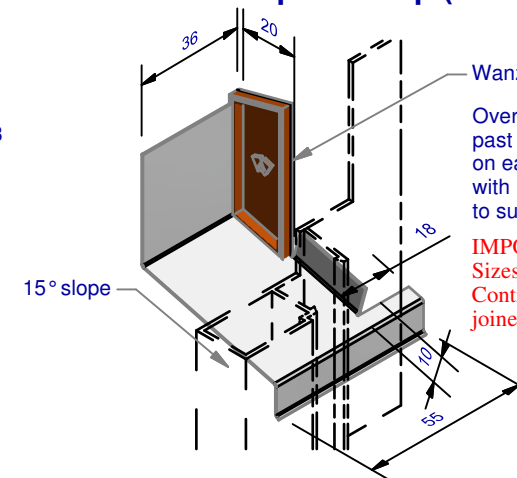
## Window Head Flashing Option 1 Cut & Fold Stop End ( 1 : 2 )



Overall Head Flashing length = +40 mm past edge of window and door joinery on each side. (Note: not supplied with Ulltraclad® system - contractor to supply as additional flashing)

**IMPORTANT:**  
Sizes shown are indicative only!  
Contractor to confirm onsite as joinery suites may vary.

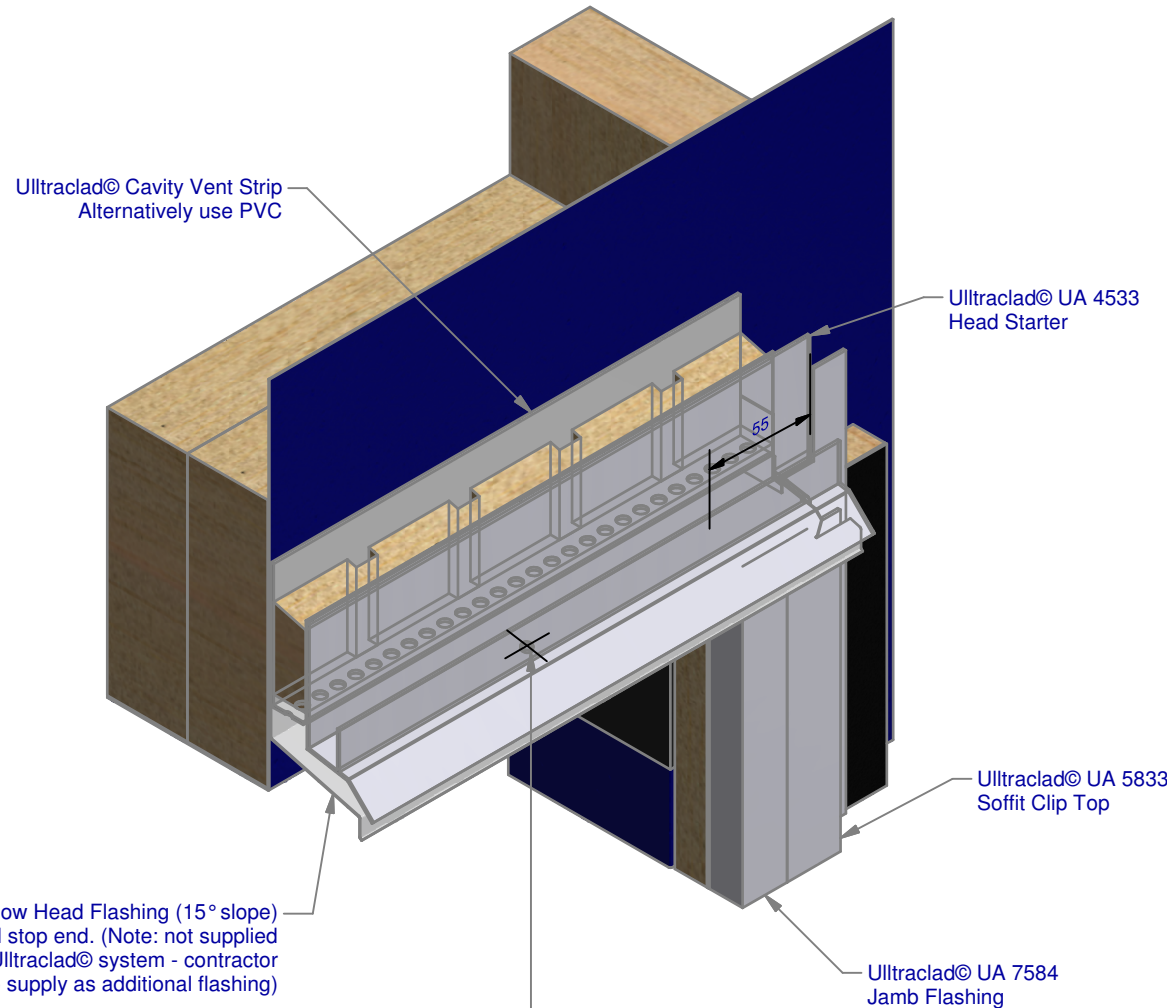
## Window Head Flashing Option 2 Wanz Plastic Stop End Cap ( 1 : 2 )



Wanz Plastic Stop End

Overall Head Flashing length = +40 mm past edge of window and door joinery on each side. (Note: not supplied with Ulltraclad® system - contractor to supply as additional flashing)

**IMPORTANT:**  
Sizes shown are indicative only!  
Contractor to confirm onsite as joinery suites may vary.



Ulltraclad® UA 4533 Head Starter 5 mm diameter drainage holes drilled through base of Head Starter at 300 mm centres

**ULLTRACLAD**®  
ALUMINIUM WEATHERBOARDS

ULLTRACLAD ALUMINIUM CO LTD  
PO Box 98 843 Manukau City Auckland 2241  
118 Wiri Station Road Wiri 2104 New Zealand  
TL 09 262 6262 Ext. 814 Mob 021 541 563

www.ulltraclad.co.nz

© ULLRICH ALUMINIUM - All Rights Reserved

**H13**

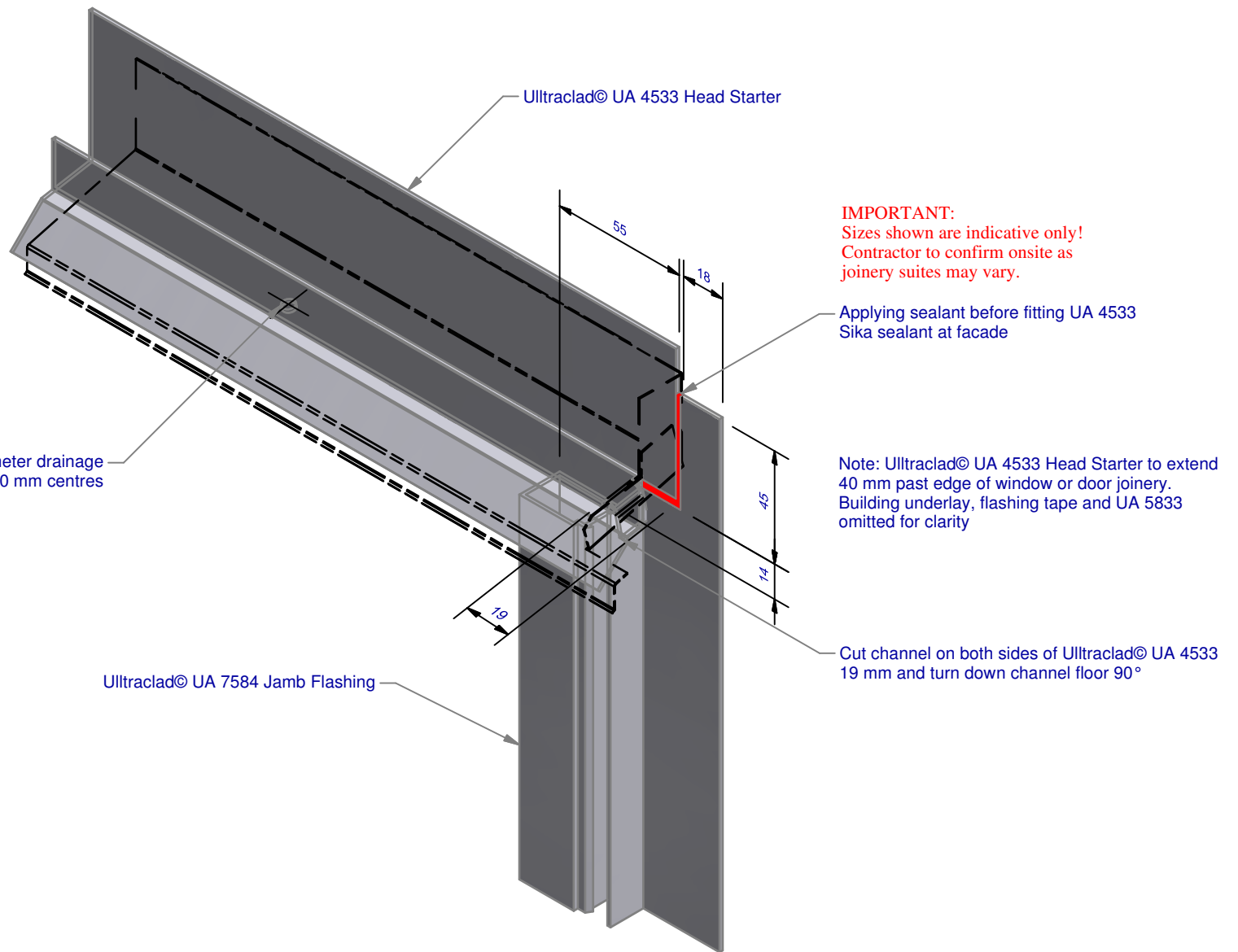
Rev : 08

**Head flashing / Head Starter / Jamb iso**  
**UA 5104 FULL CORRUGATE BOARD**

**HORIZONTAL CAVITY SYSTEM**

Scale: 1 : 3 @ A4 - 2017

Brnz Appraisal #487 2012. (Horizontal)



Ulltraclad® UA 4533 Head Starter 5 mm diameter drainage holes drilled through base of Head Starter at 300 mm centres

**IMPORTANT:**  
 Sizes shown are indicative only!  
 Contractor to confirm onsite as  
 joinery suites may vary.

Applying sealant before fitting UA 4533  
 Sika sealant at facade

Note: Ulltraclad® UA 4533 Head Starter to extend  
 40 mm past edge of window or door joinery.  
 Building underlay, flashing tape and UA 5833  
 omitted for clarity

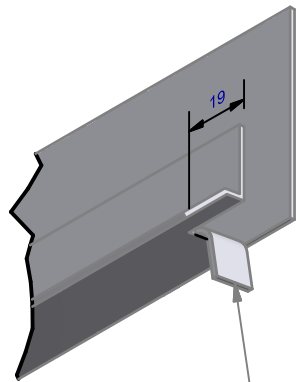
Cut channel on both sides of Ulltraclad® UA 4533  
 19 mm and turn down channel floor 90°

Ulltraclad® UA 7584 Jamb Flashing

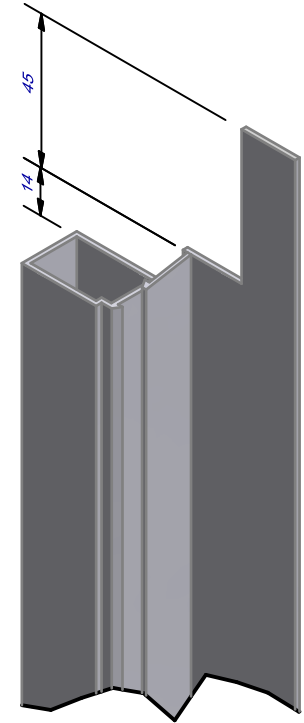
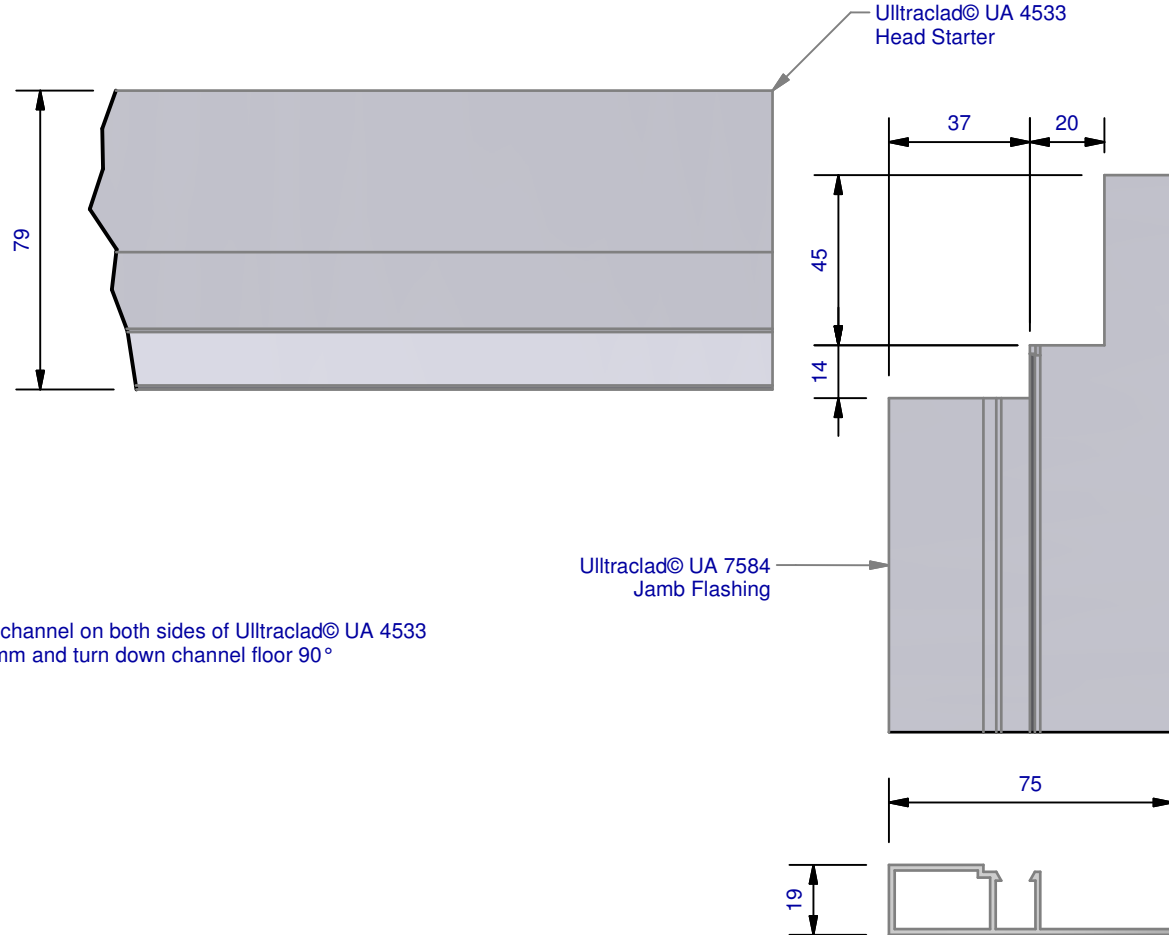
Ultraclad® UA 4533 Head Starter 5 mm diameter drainage holes drilled through base of Head Starter at 300 mm centres



**IMPORTANT:**  
 Sizes shown are indicative only!  
 Contractor to confirm onsite as  
 joinery suites may vary.



Cut channel on both sides of Ultraclad® UA 4533  
 19 mm and turn down channel floor 90°



**ULLTRACLAD**®  
 ALUMINIUM WEATHERBOARDS

ULLTRACLAD ALUMINIUM CO LTD  
 PO Box 98 843 Manukau City Auckland 2241  
 118 Wiri Station Road Wiri 2104 New Zealand  
 TL 09 262 6262 Ext. 814 Mob 021 541 563  
 www.ulltraclad.co.nz  
 © ULLRICH ALUMINIUM - All Rights Reserved

**H15**

Rev : 08

**Head - Jamb Notching Details**  
 UA 5104 FULL CORRUGATE BOARD

**HORIZONTAL CAVITY SYSTEM**  
 Scale: 1 : 2 @ A4 - 2017

Brnz Appraisal #487 2012. (Horizontal)



Ultraclad® UA 5104 weatherboards (horizontal) fixed with Locator Clips fixed at Max 600 mm horizontal centres with 8g x 2" CSK Sq S/S self tapping screws through batten into stud.

Cavity batten  
Refer V00 Batten Options

Note: Underlay strips to isolate aluminium from treated timber battens  
Refer V00

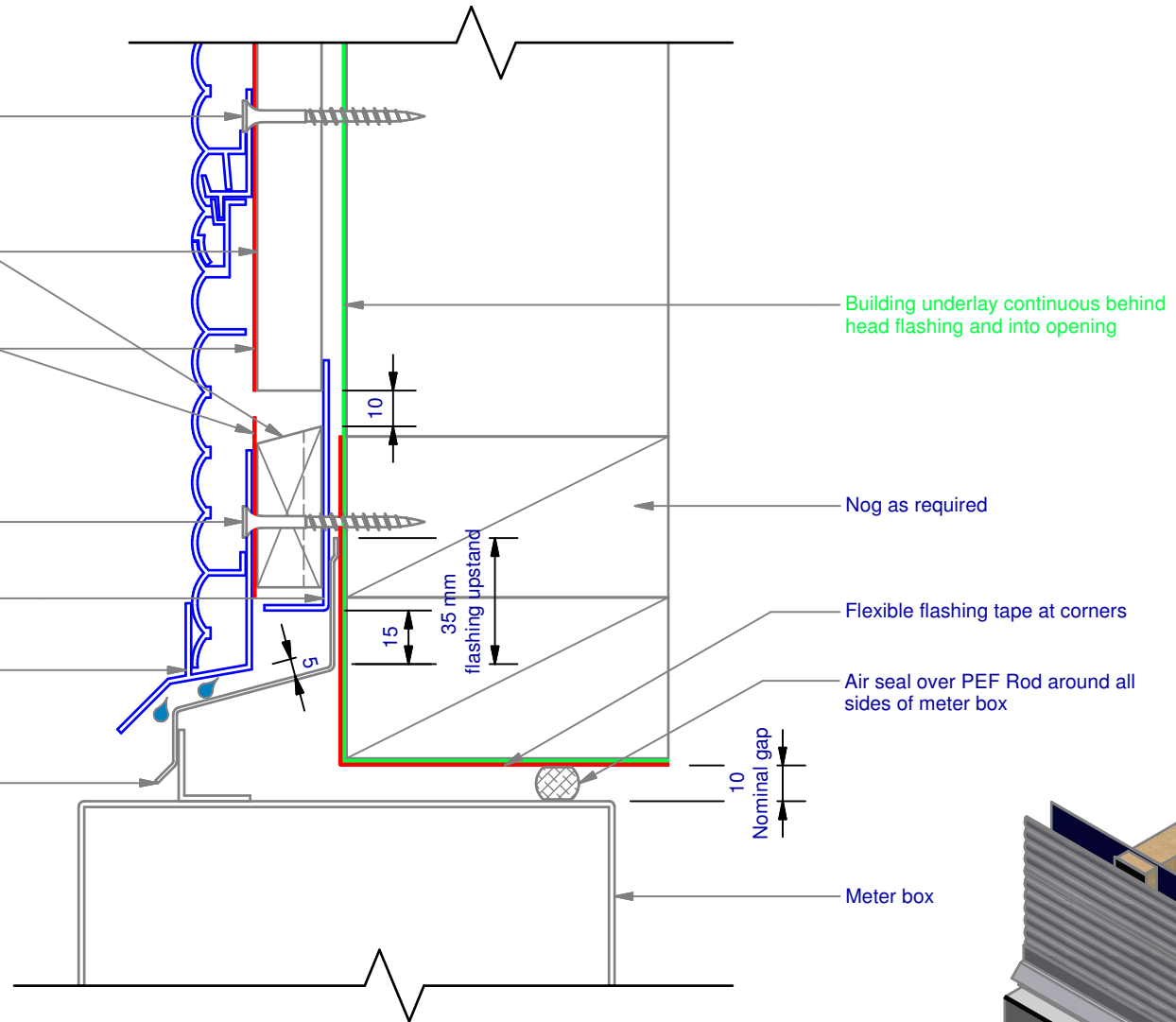
Ultraclad® UA 4863 Vertical Starter Strip fixed to bottom plate at 600 mm centres with 8g x 2" CSK Sq. S/S self tapping screws

Ultraclad® Cavity Vent Strip  
Alternatively use PVC type

Ultraclad® UA 4533 Head Starter 5 mm diameter drainage holes drilled through base of flashing at 300 mm centres

Aluminium flashing 15° slope  
(Note: not supplied with Ultraclad® system - contractor to supply as additional flashing)

Note: Ensure to alternate spacings of fixings for battens and Locator Clips to avoid risk of splitting batten



Building underlay continuous behind head flashing and into opening

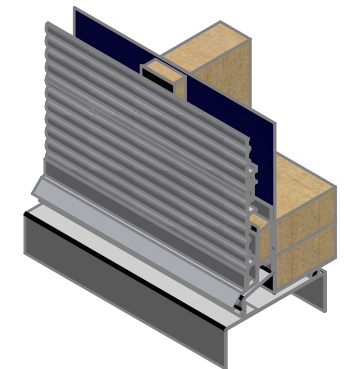
Nog as required

Flexible flashing tape at corners

Air seal over PEF Rod around all sides of meter box

10  
Nominal gap

Meter box



**ULLTRACLAD**®  
ALUMINIUM WEATHERBOARDS

ULLTRACLAD ALUMINIUM CO LTD  
PO Box 98 843 Manukau City Auckland 2241  
118 Wiri Station Road Wiri 2104 New Zealand  
TL 09 262 6262 Ext. 814 Mob 021 541 563

www.ulltraclad.co.nz

© ULLRICH ALUMINIUM - All Rights Reserved

**H16**

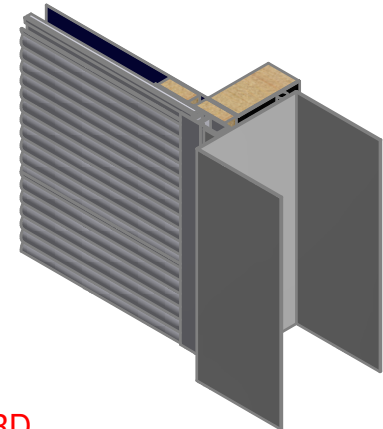
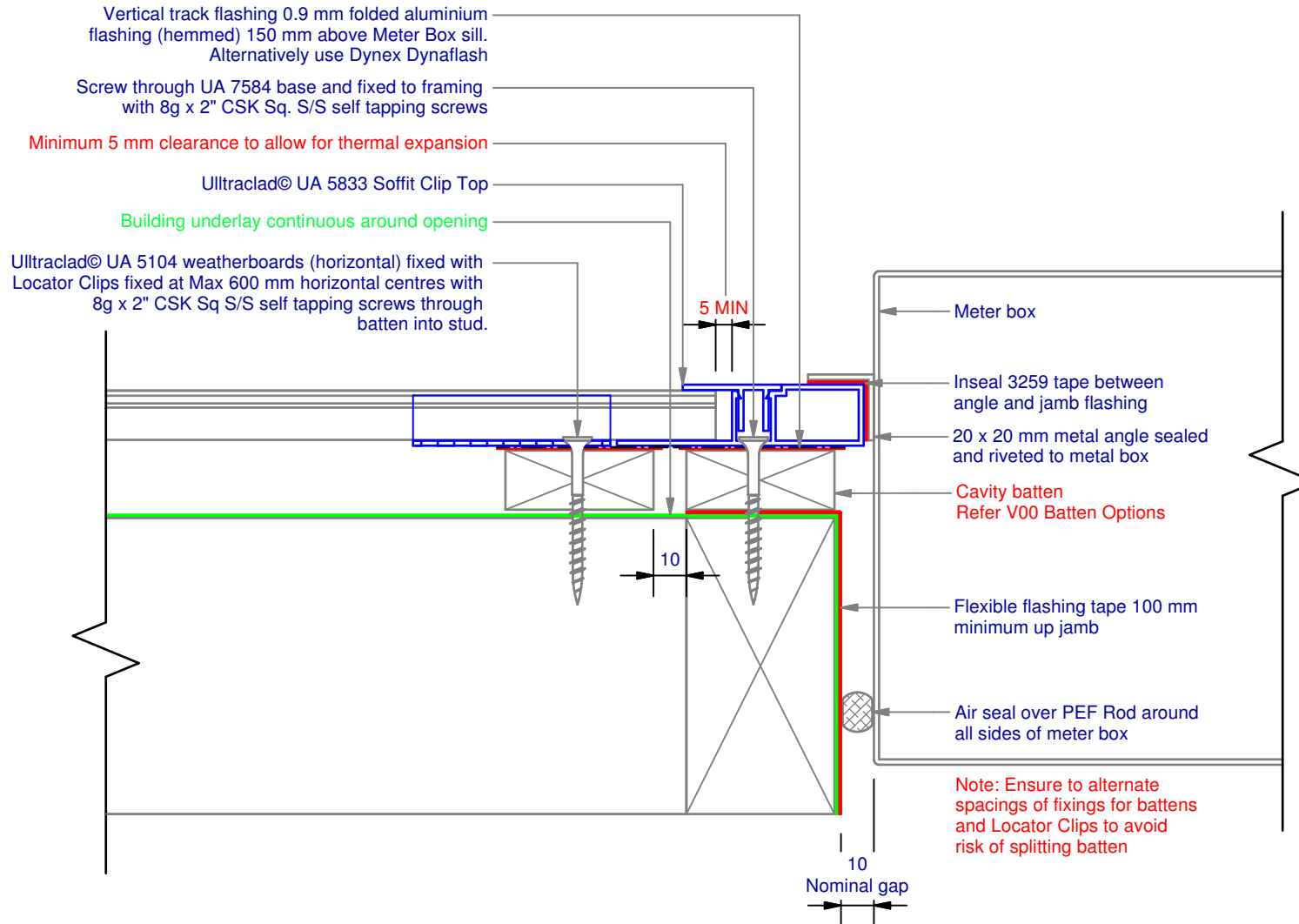
Rev : 08

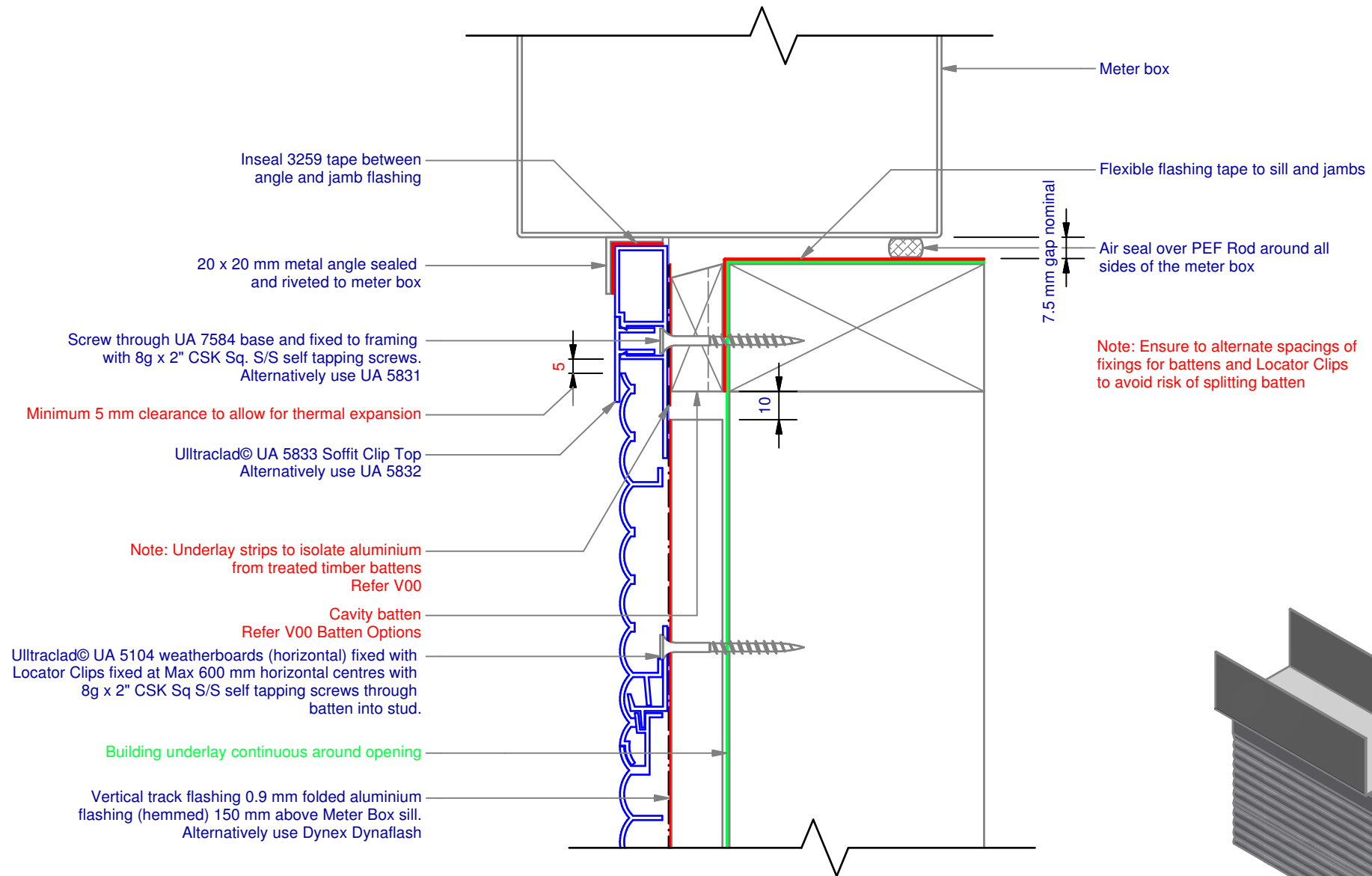
**Meter Box Head on Cavity**  
**UA 5104 FULL CORRUGATE BOARD**

**HORIZONTAL CAVITY SYSTEM**

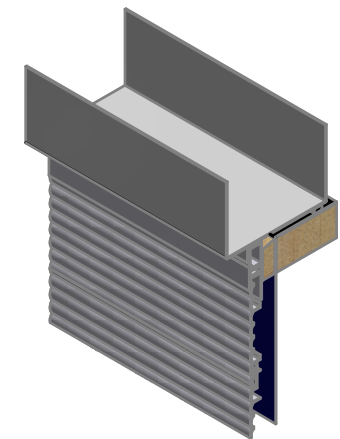
Scale: 1 : 2 @ A4 - 2017

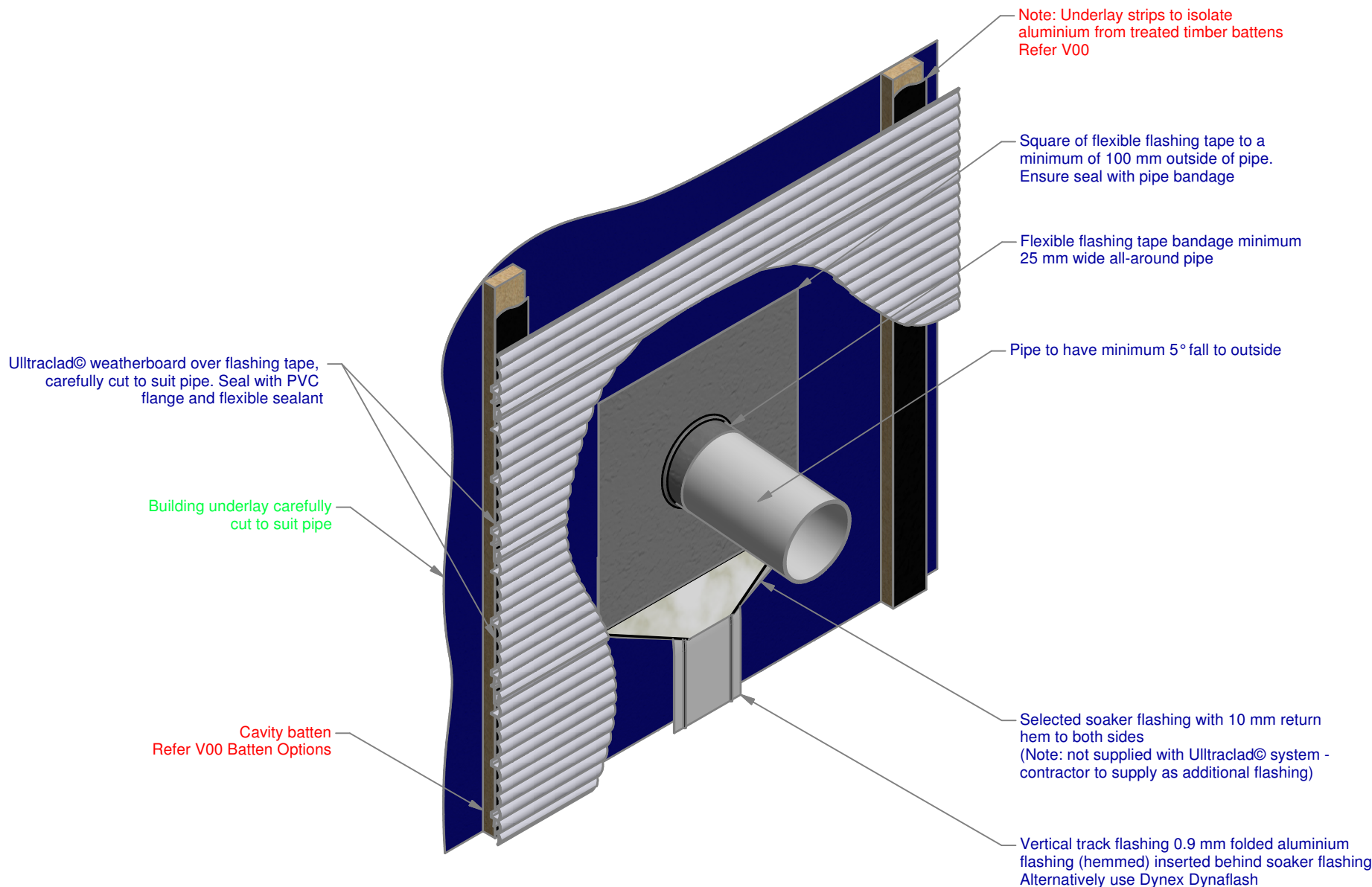
Brnz Appraisal #487 2012. (Horizontal)





Note: Ensure to alternate spacings of fixings for battens and Locator Clips to avoid risk of splitting batten





Note: Underlay strips to isolate aluminium from treated timber battens Refer V00

Square of flexible flashing tape to a minimum of 100 mm outside of pipe. Ensure seal with pipe bandage

Flexible flashing tape bandage minimum 25 mm wide all-around pipe

Pipe to have minimum 5° fall to outside

Ulltraclad® weatherboard over flashing tape, carefully cut to suit pipe. Seal with PVC flange and flexible sealant

Building underlay carefully cut to suit pipe

Cavity batten Refer V00 Batten Options

Selected soaker flashing with 10 mm return hem to both sides (Note: not supplied with Ulltraclad® system - contractor to supply as additional flashing)

Vertical track flashing 0.9 mm folded aluminium flashing (hemmed) inserted behind soaker flashing Alternatively use Dynex Dynafash

Ultraclad® UA 5104 weatherboards (horizontal) fixed with Locator Clips fixed at Max 600 mm horizontal centres with 8g x 2" CSK Sq S/S self tapping screws through batten into stud.

Building underlay continuous around opening

Ultraclad® Cavity Vent Strip  
Alternatively use PVC type

Cavity batten  
Refer V00 Batten Options

Note: Underlay strips to isolate aluminium from treated timber battens.  
Refer V00

Ultraclad® UA 4863 Vertical Starter alternatively use UA 4862. 5 mm diameter drainage hole drilled through base of Vertical Starter at 300 mm centres

Apron flashing with 75 mm up stand cover behind cladding

35 mm min clear gap

10

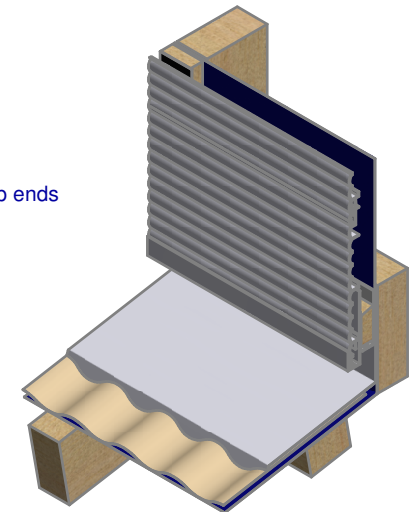
Note: Ensure to alternate spacings of fixings for battens and Locator Clips to avoid risk of splitting batten

75 mm min flashing leg  
above bottom of weatherboard

Nog as required

Roofing underlay turned up under flashing

Selected roofing with stop ends



**ULLTRACLAD**®  
ALUMINIUM WEATHERBOARDS

ULLTRACLAD ALUMINIUM CO LTD  
PO Box 98 843 Manukau City Auckland 2241  
118 Wiri Station Road Wiri 2104 New Zealand  
TL 09 262 6262 Ext. 814 Mob 021 541 563

www.ulltraclad.co.nz

© ULLRICH ALUMINIUM - All Rights Reserved

**H20**

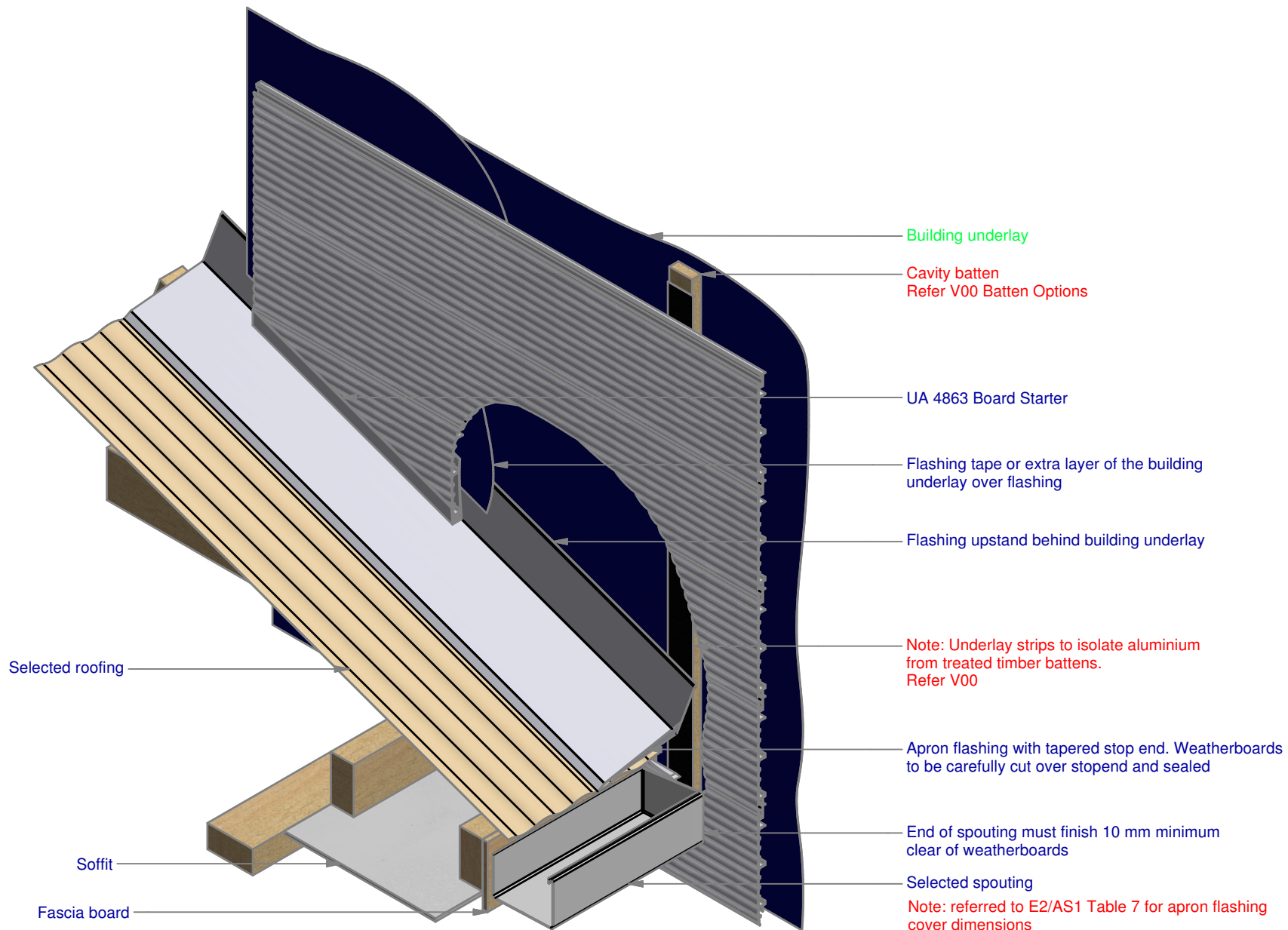
Rev : 08

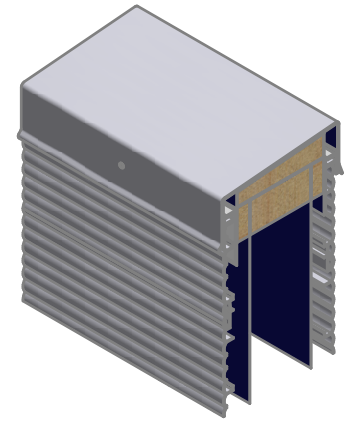
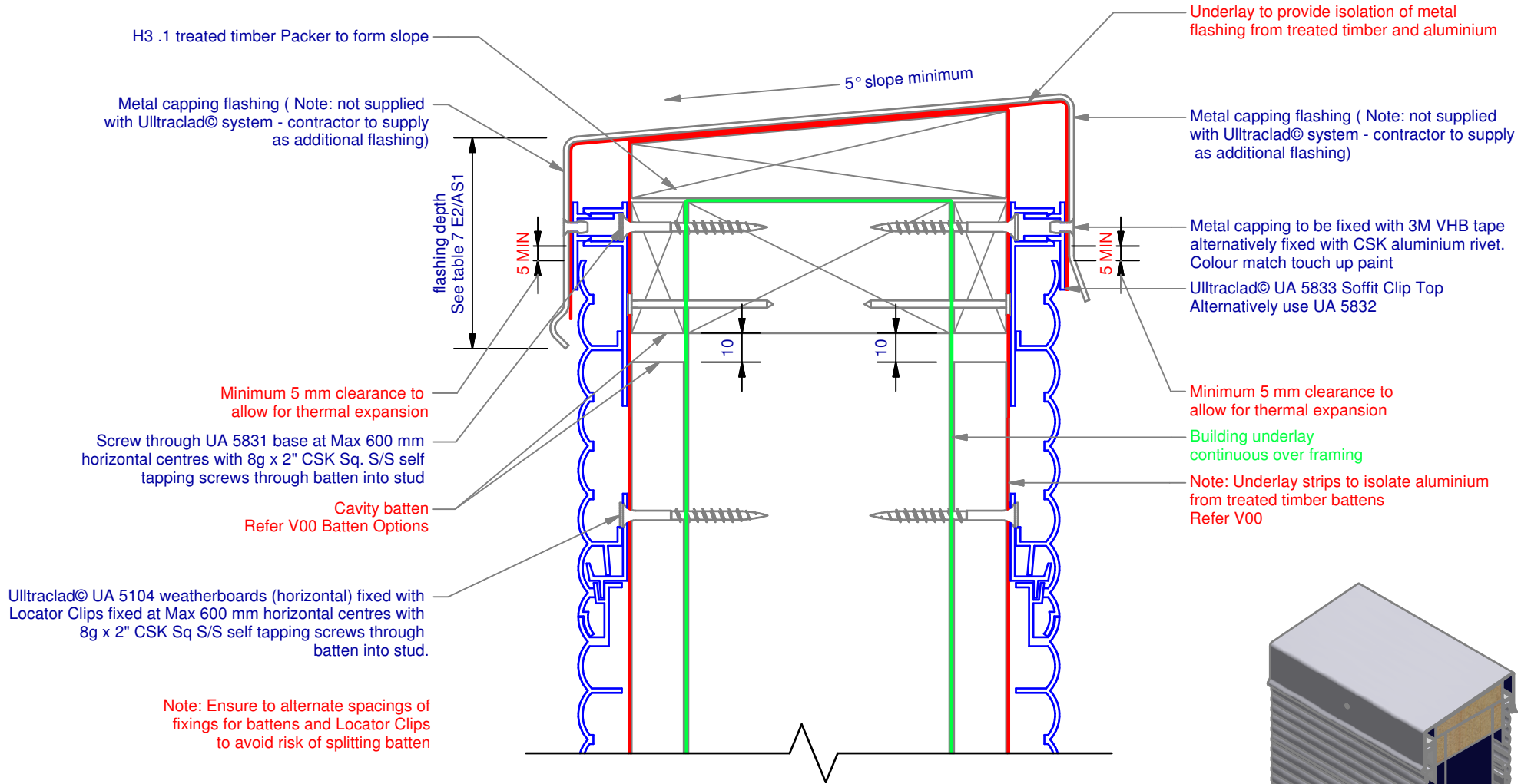
**Roof-Wall Junction on Cavity**  
**UA 5104 FULL CORRUGATE BOARD**

**HORIZONTAL CAVITY SYSTEM**

Scale: 1 : 3 @ A4 - 2017

Brnz Appraisal #487 2012. (Horizontal)





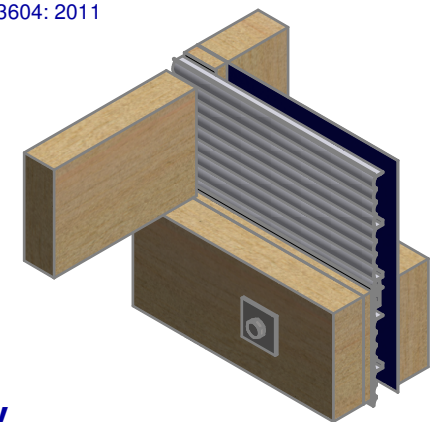
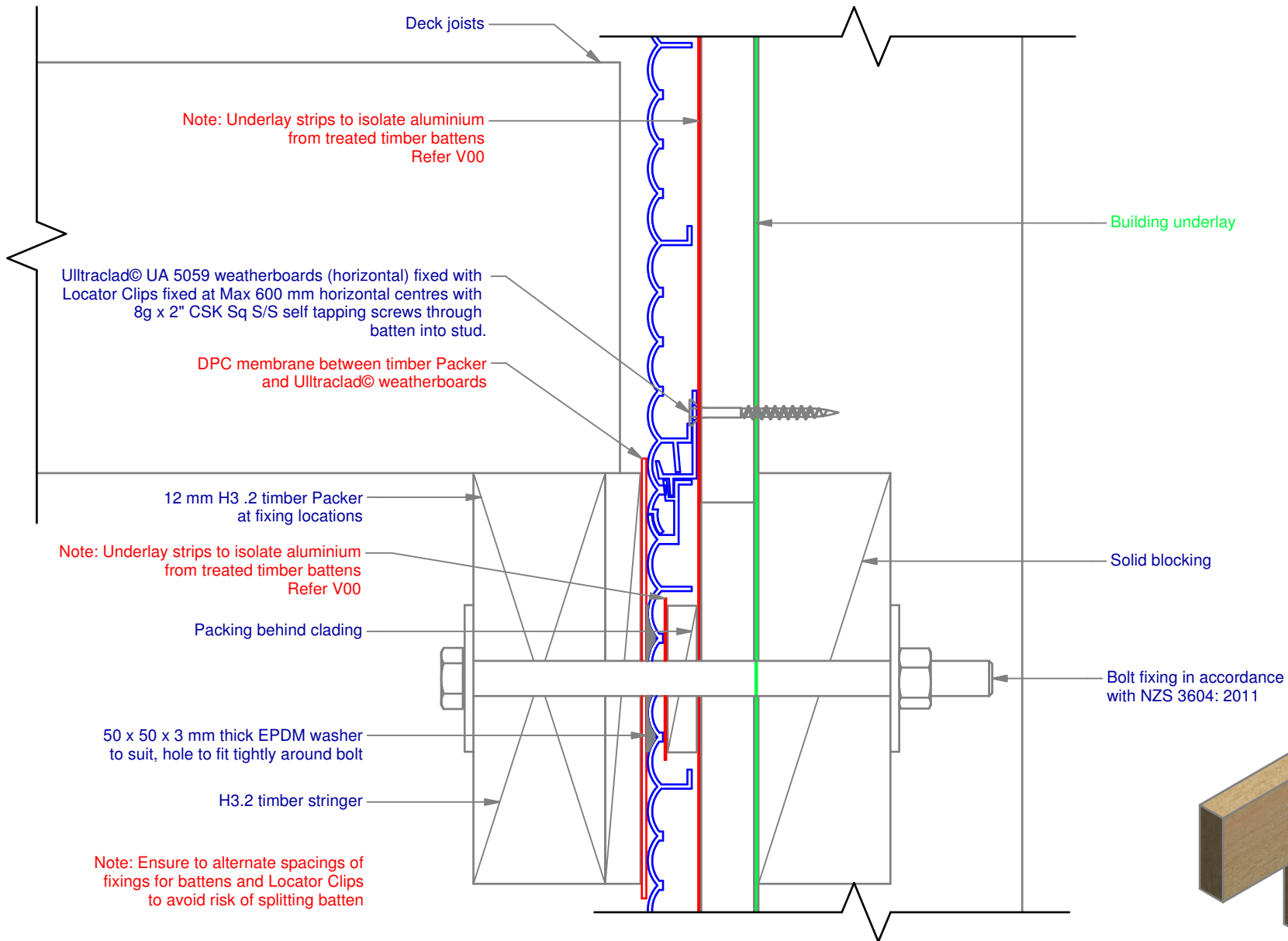
**ULLTRACLAD®**  
ALUMINIUM WEATHERBOARDS

ULLTRACLAD ALUMINIUM CO LTD  
PO Box 98 843 Manukau City Auckland 2241  
118 Wiri Station Road Wiri 2104 New Zealand  
TL 09 262 6262 Ext. 814 Mob 021 541 563  
www.ulltraclad.co.nz  
© ULLRICH ALUMINIUM - All Rights Reserved

**H22**  
Rev : 08

**Parapet on Cavity**  
**UA 5104 FULL CORRUGATE BOARD**  
**HORIZONTAL CAVITY SYSTEM**  
Scale: 1 : 2 @ A4 - 2017

Brnz Appraisal #487 2012. (Horizontal)



**ULLTRA CLAD**<sup>®</sup>  
ALUMINIUM WEATHERBOARDS

ULLTRA CLAD ALUMINIUM CO LTD  
PO Box 98 843 Manukau City Auckland 2241  
118 Wiri Station Road Wiri 2104 New Zealand  
TL 09 262 6262 Ext. 814 Mob 021 541 563

www.ulltraclad.co.nz

© ULLRICH ALUMINIUM - All Rights Reserved

**H23**

Rev : 08

**Deck Junction on Cavity**  
**UA 5104 FULL CORRUGATE BOARD**

**HORIZONTAL CAVITY SYSTEM**

Scale: 1 : 2 @ A4 - 2017

Brnz Appraisal #487 2012. (Horizontal)



Note: Ensure to alternate spacings of fixings for battens and Locator Clips to avoid risk of splitting batten

Ultracalad® UA 5104 weatherboards (horizontal) fixed with Locator Clips fixed at Max 600 mm horizontal centres with 8g x 2" CSK Sq S/S self tapping screws through batten into stud.

Building underlay

Note: Underlay strips to isolate aluminium from treated timber battens Refer V00

Ultracalad® UA 4862 Board Starter or alternatively use UA 4863 fixed to bottom plate with 50 x 2.5mm clouts at 600 mm centres

Aluminium inter-storey flashing 15° slope (Note: not supplied with Ultracalad® system - contractor to supply as additional flashing)

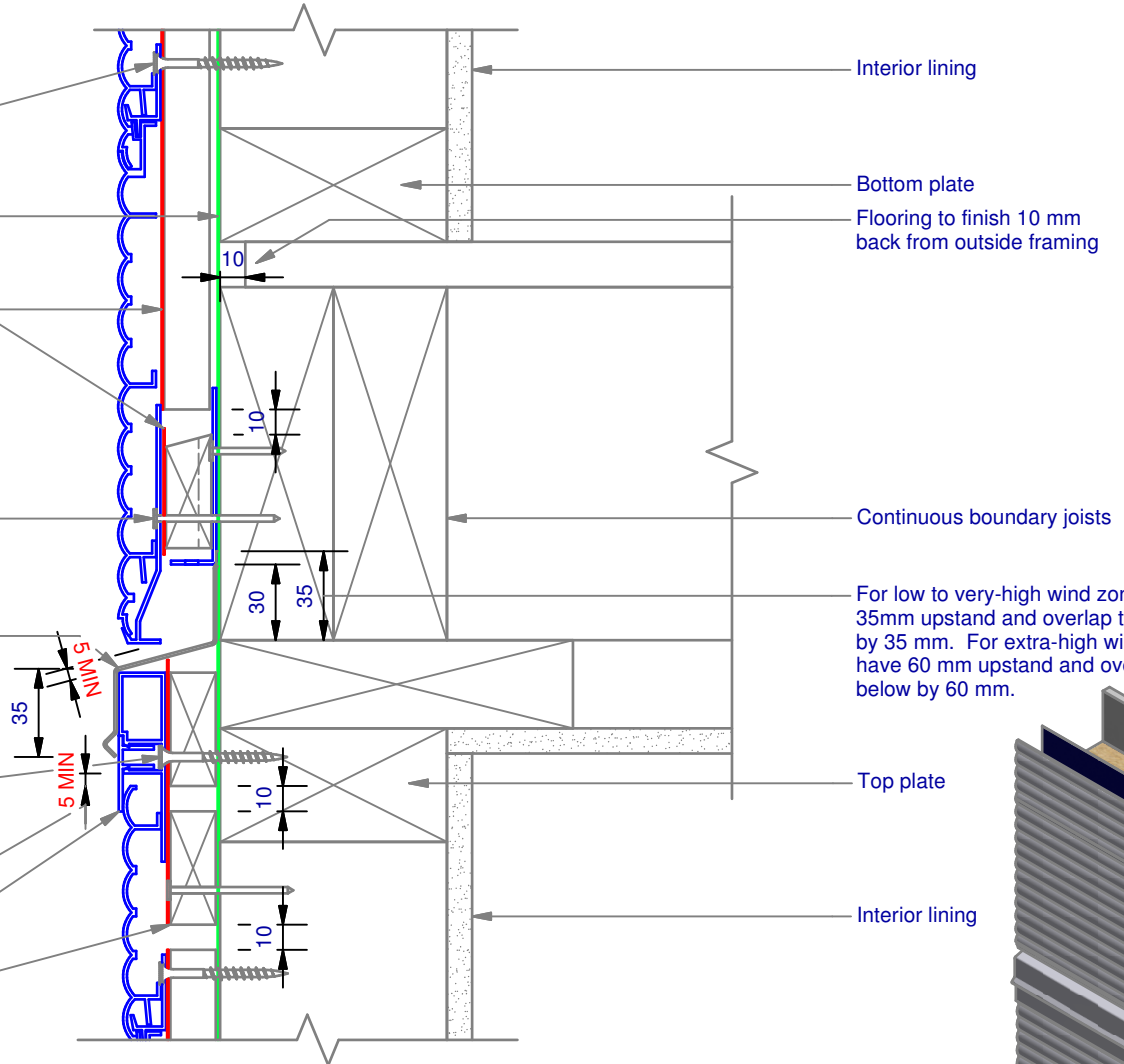
Screw through UA 7584 base at Max 600 mm horizontal centres with 8g x 2" CSK Sq. S/S self tapping screws through batten into stud

Minimum 5 mm clearance to allow for thermal expansion

Ultracalad® UA 5833 Soffit Clip Top Alternatively use UA 5832

Cavity batten Refer V00 Batten Options

Note: this detail is required to limit cavities to 2 storeys or 7 m Max - Refer E2/AS1 clause 9.1.9.4



Interior lining

Bottom plate

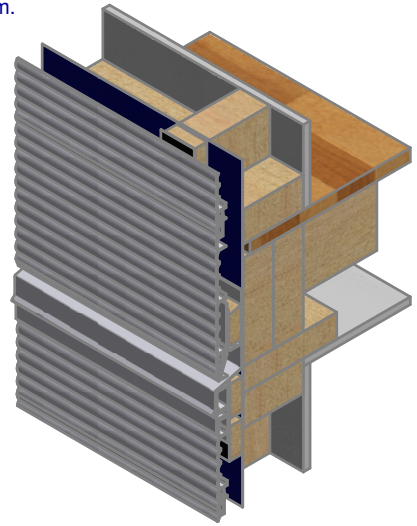
Flooring to finish 10 mm back from outside framing

Continuous boundary joists

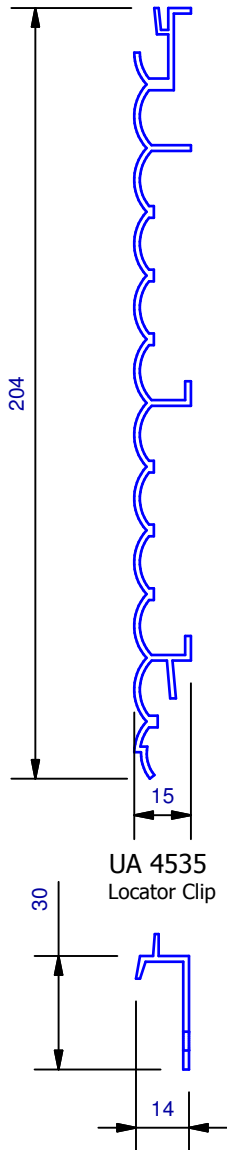
Top plate

Interior lining

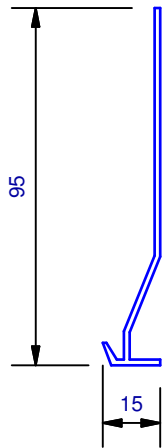
For low to very-high wind zones the 'Z' flashing must have a 35mm upstand and overlap the weatherboard face below by 35 mm. For extra-high wind zones the 'Z' flashing must have 60 mm upstand and overlap the weatherboard face below by 60 mm.



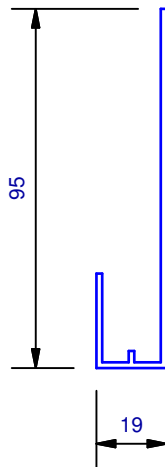
UA 5104  
Full Corrugated Board



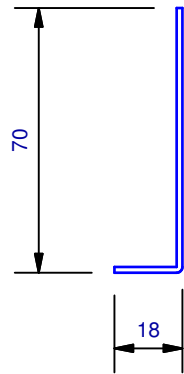
UA 4862  
Board Starter



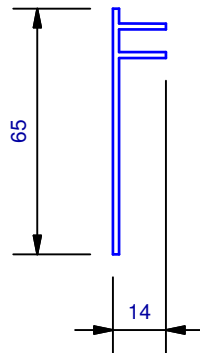
UA 4863  
Horizontal Board Starter



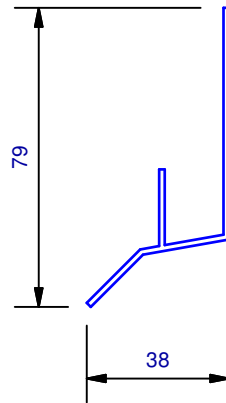
Cavity Vent Strip



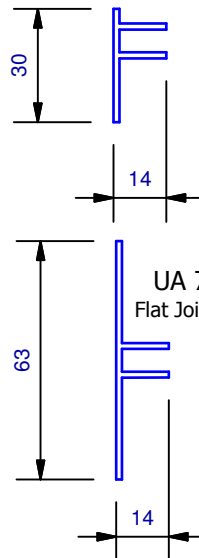
UA 5832  
Soffit 65mm Clip Top



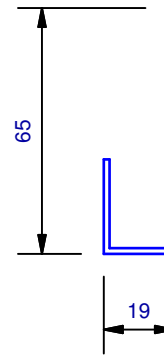
UA 4533  
Head Starter



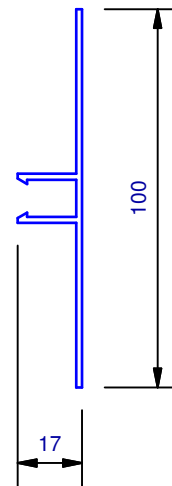
UA 5833  
Soffit 30mm Clip Top



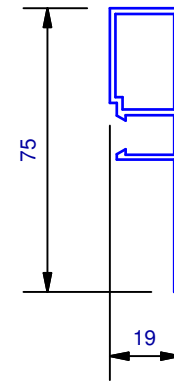
UA 4532  
J Moulding



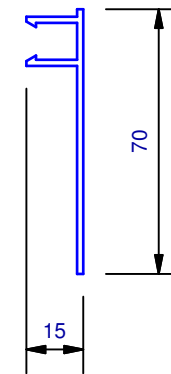
UA 6324  
2 Piece Joints Base



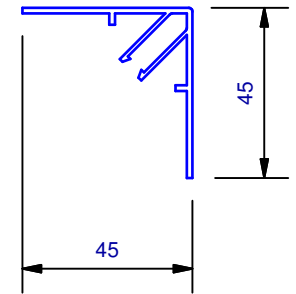
UA 7584  
Jamb/Sill Clip Base



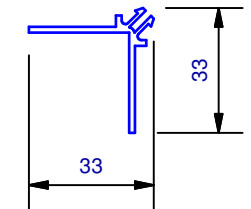
UA 5831  
Soffit Clip Base



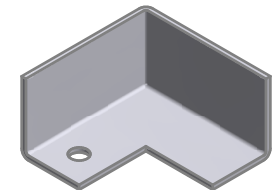
UA 7094  
Female Flat Corner



UA 7095  
Male Flat Corner



CLADCNRCAP  
Corner Cap



CLADSTAKECNR  
Plastic Staking Corner

