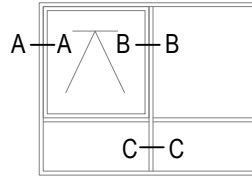
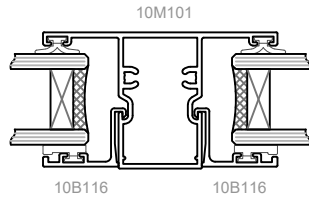


SECTION A-A

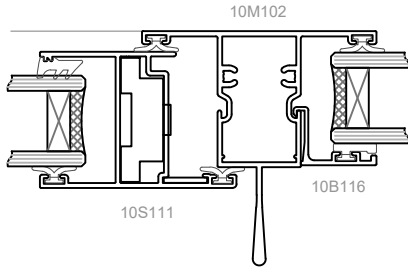
SECTION B-B

AWNING / CASEMENT WINDOW

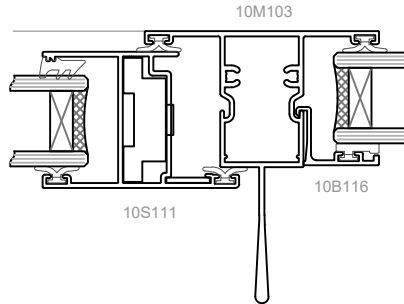
SECTION C-C



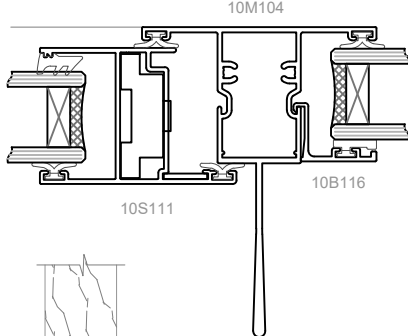
SECTION B-B



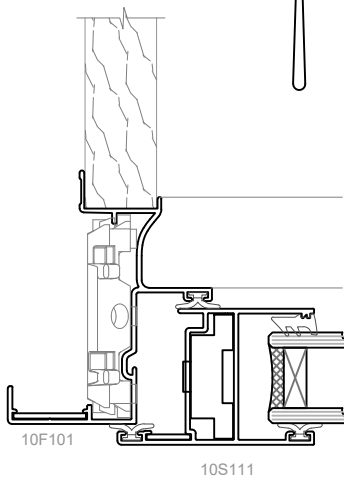
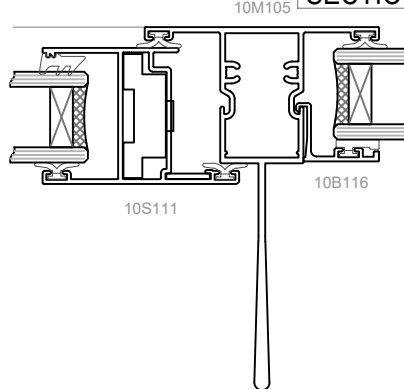
SECTION B-B



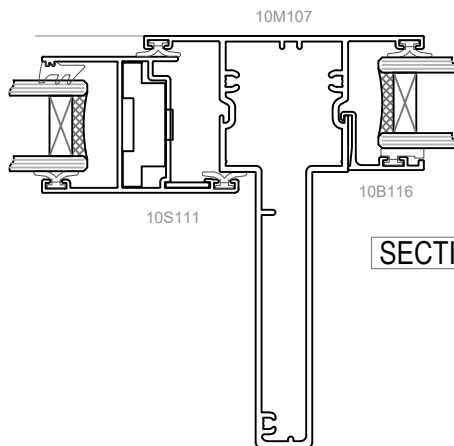
SECTION B-B



SECTION B-B

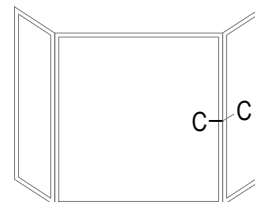
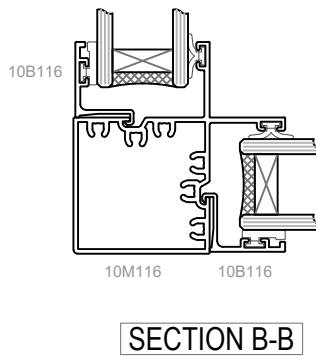
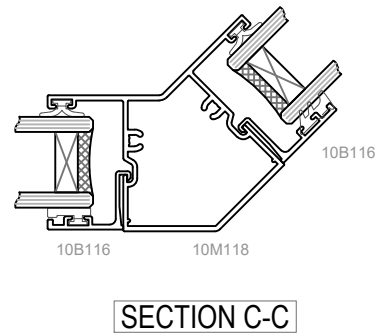
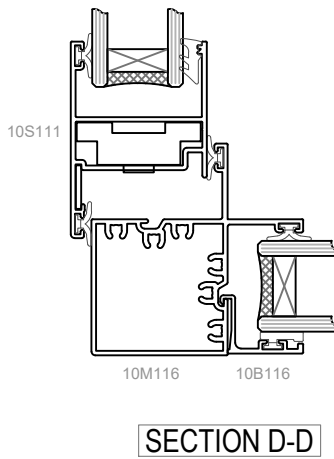
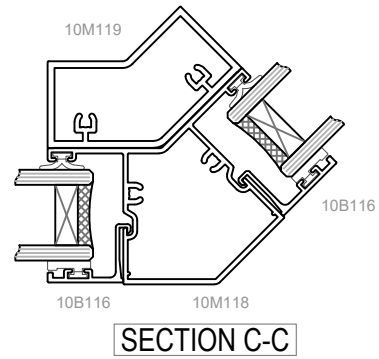
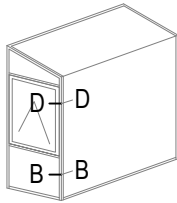


SECTION A-A

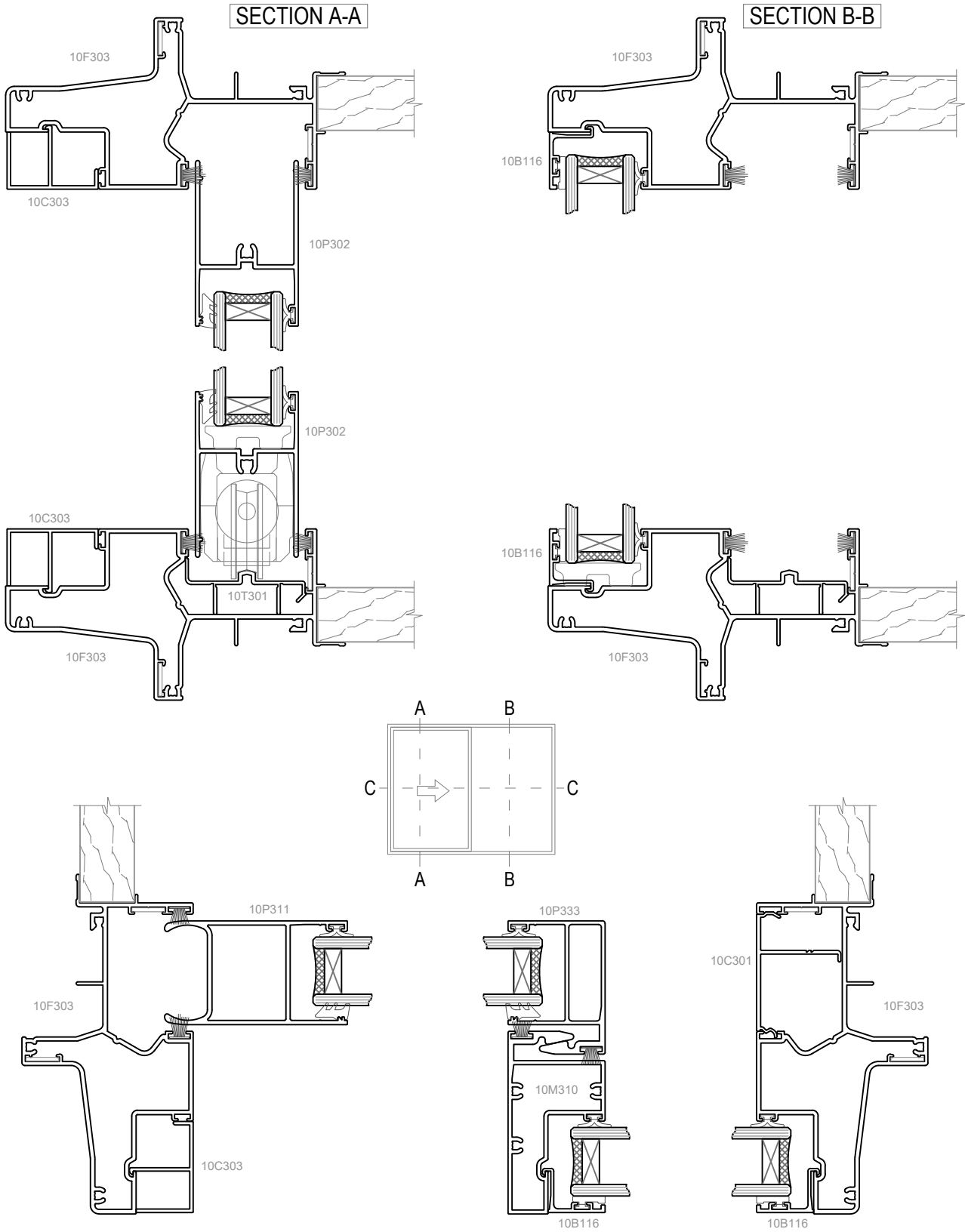


SECTION B-B

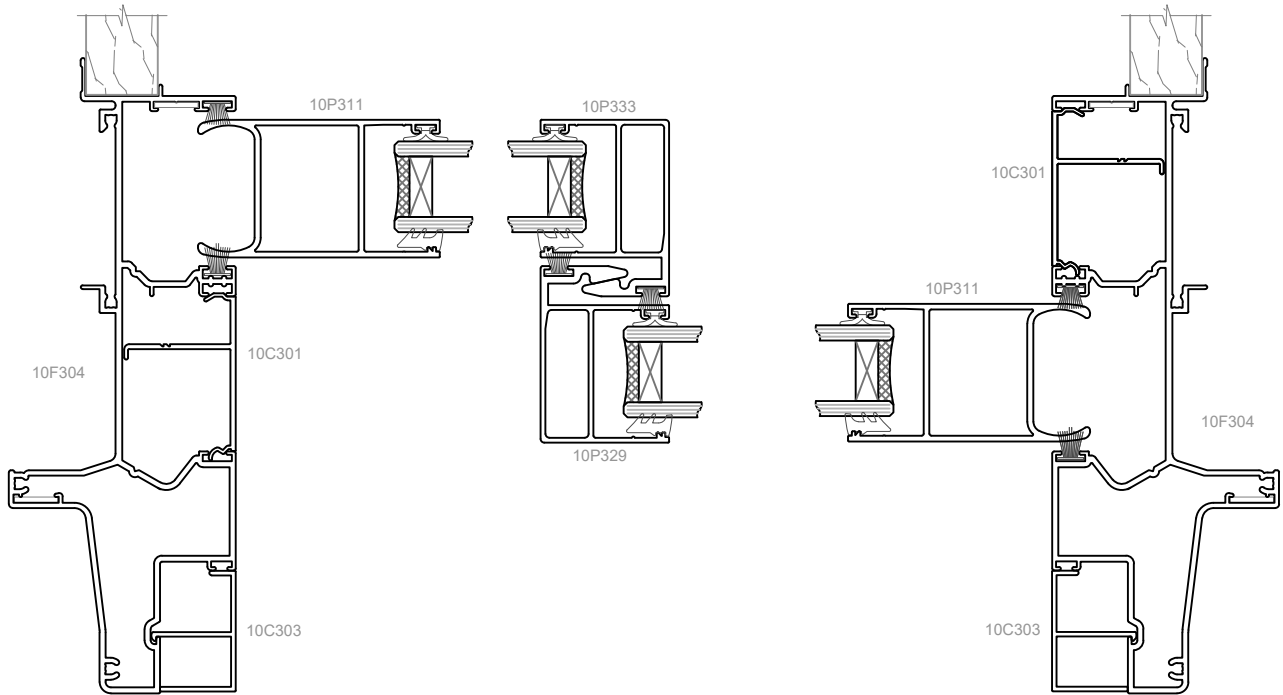
AWNING / CASEMENT WINDOW



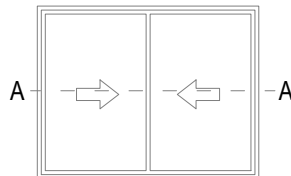
AWNING / CASEMENT WINDOW



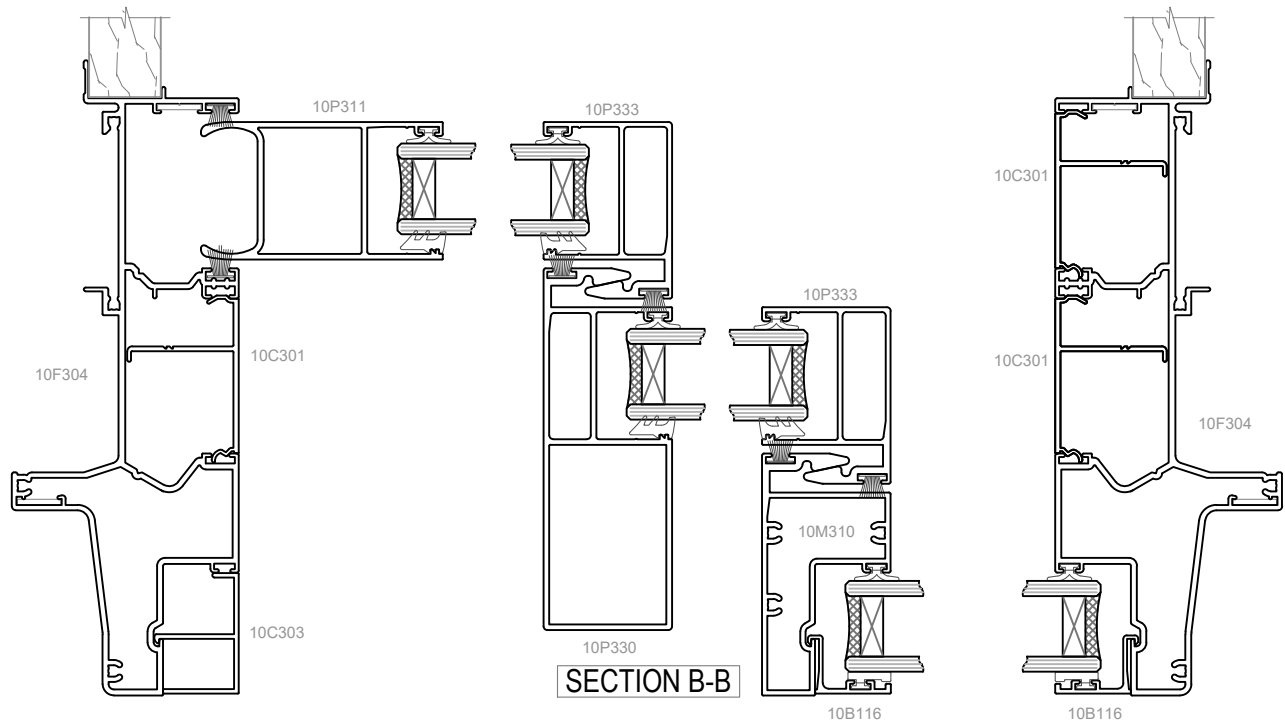
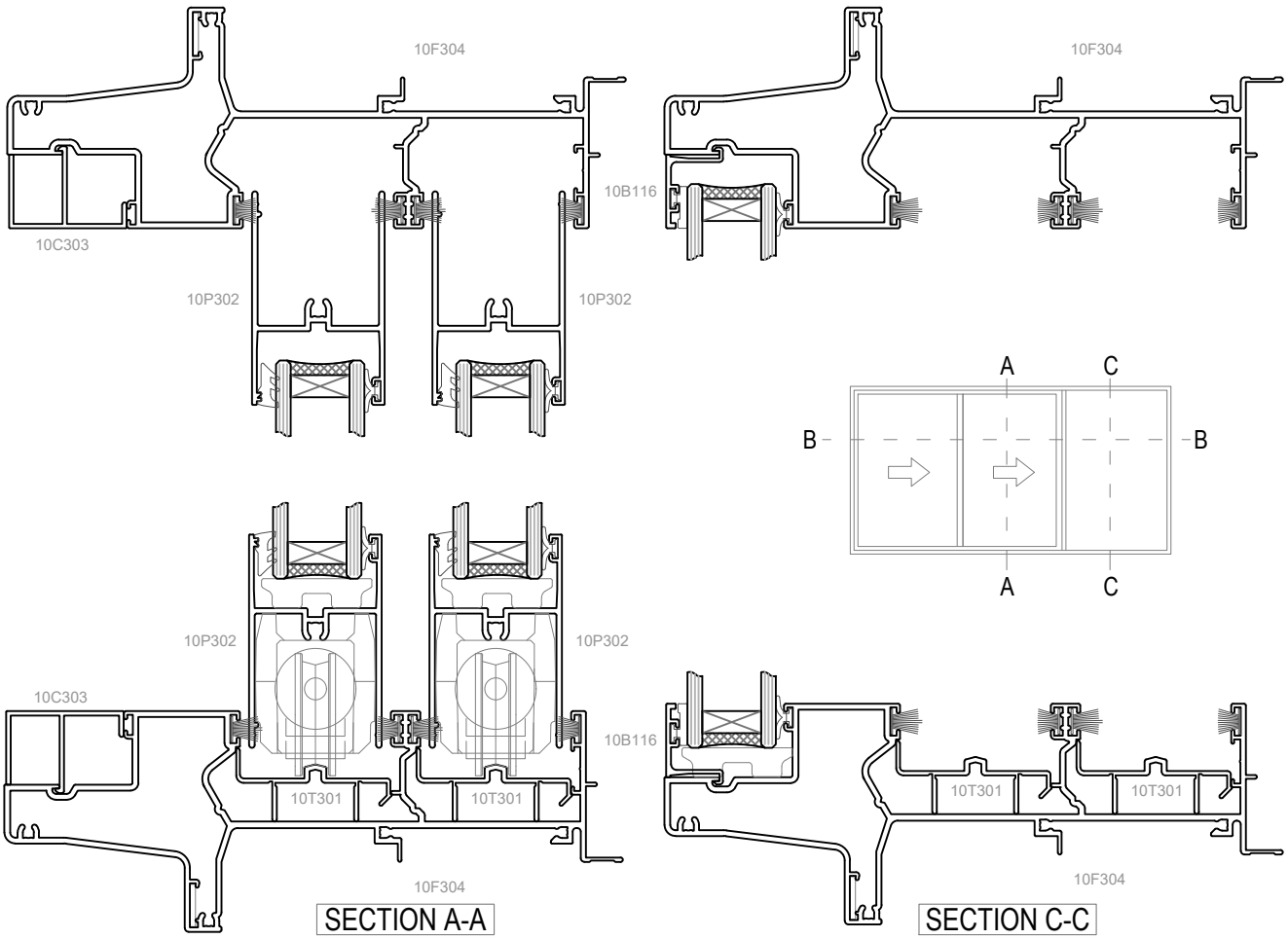
SECTION C-C
HORIZONTAL SLIDING WINDOW



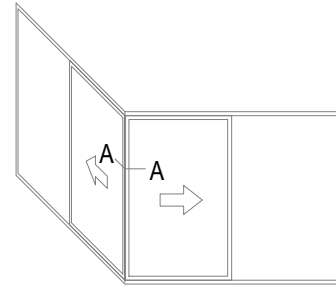
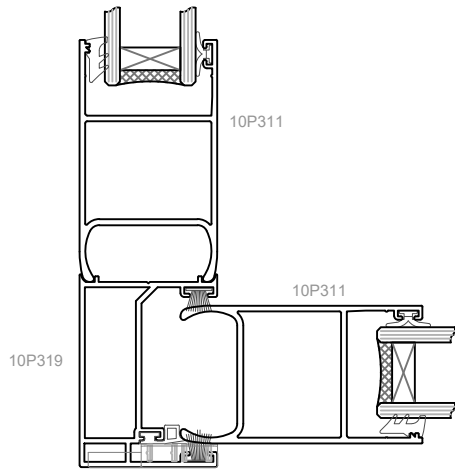
SECTION A-A



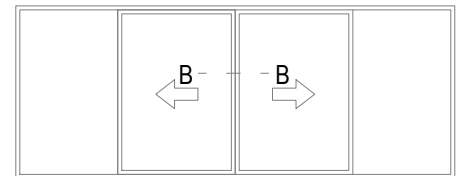
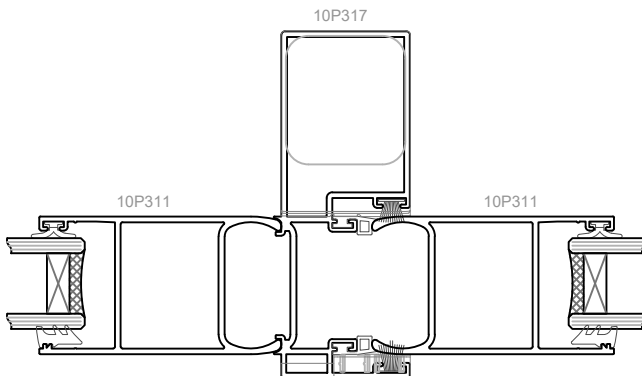
HORIZONTAL SLIDING WINDOW



HORIZONTAL SLIDING WINDOW

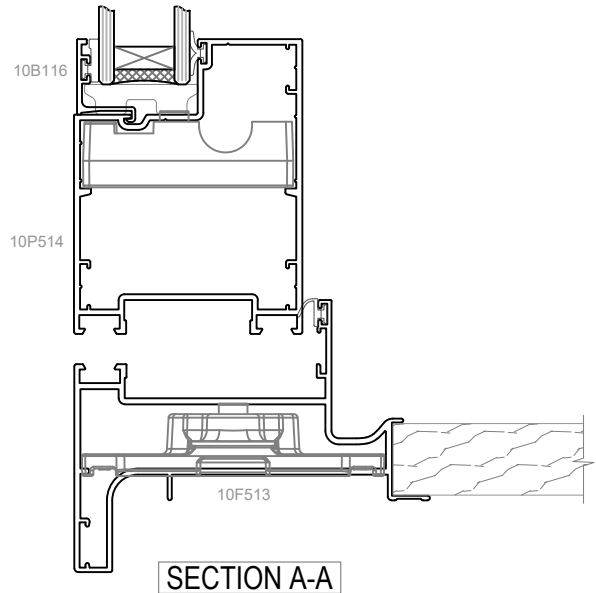
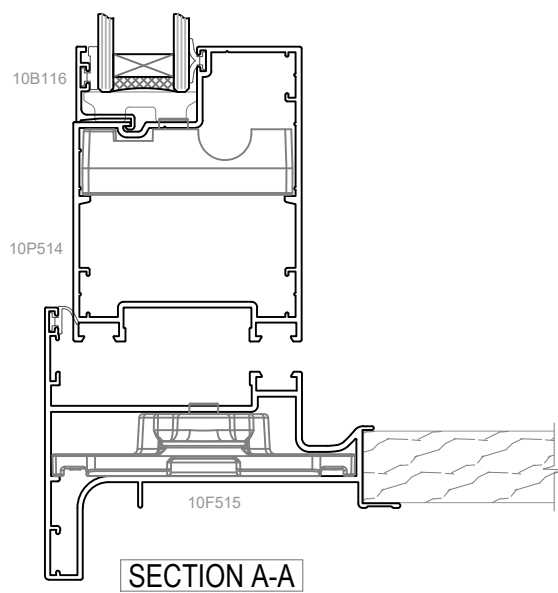
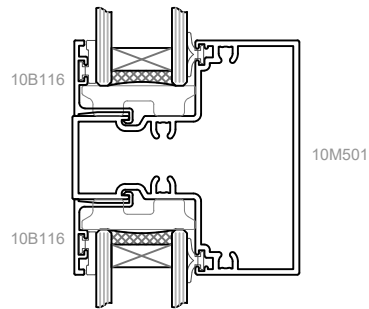
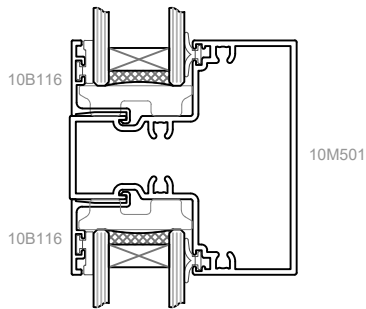
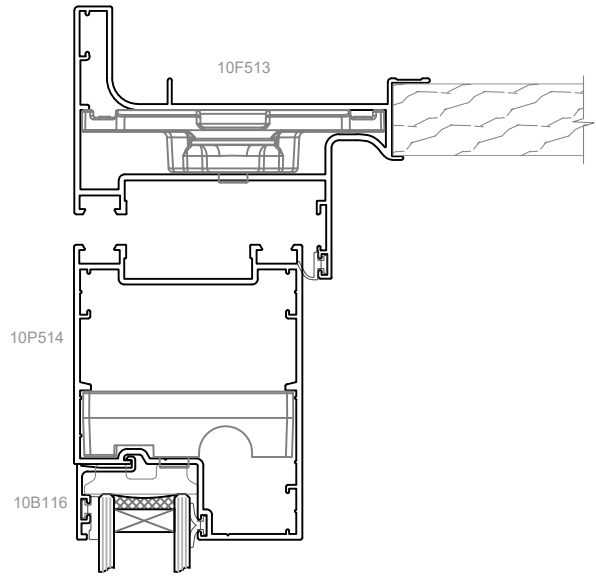
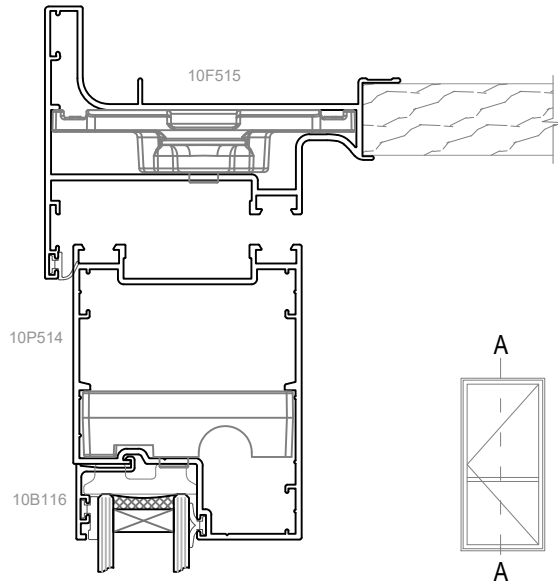


SECTION A-A

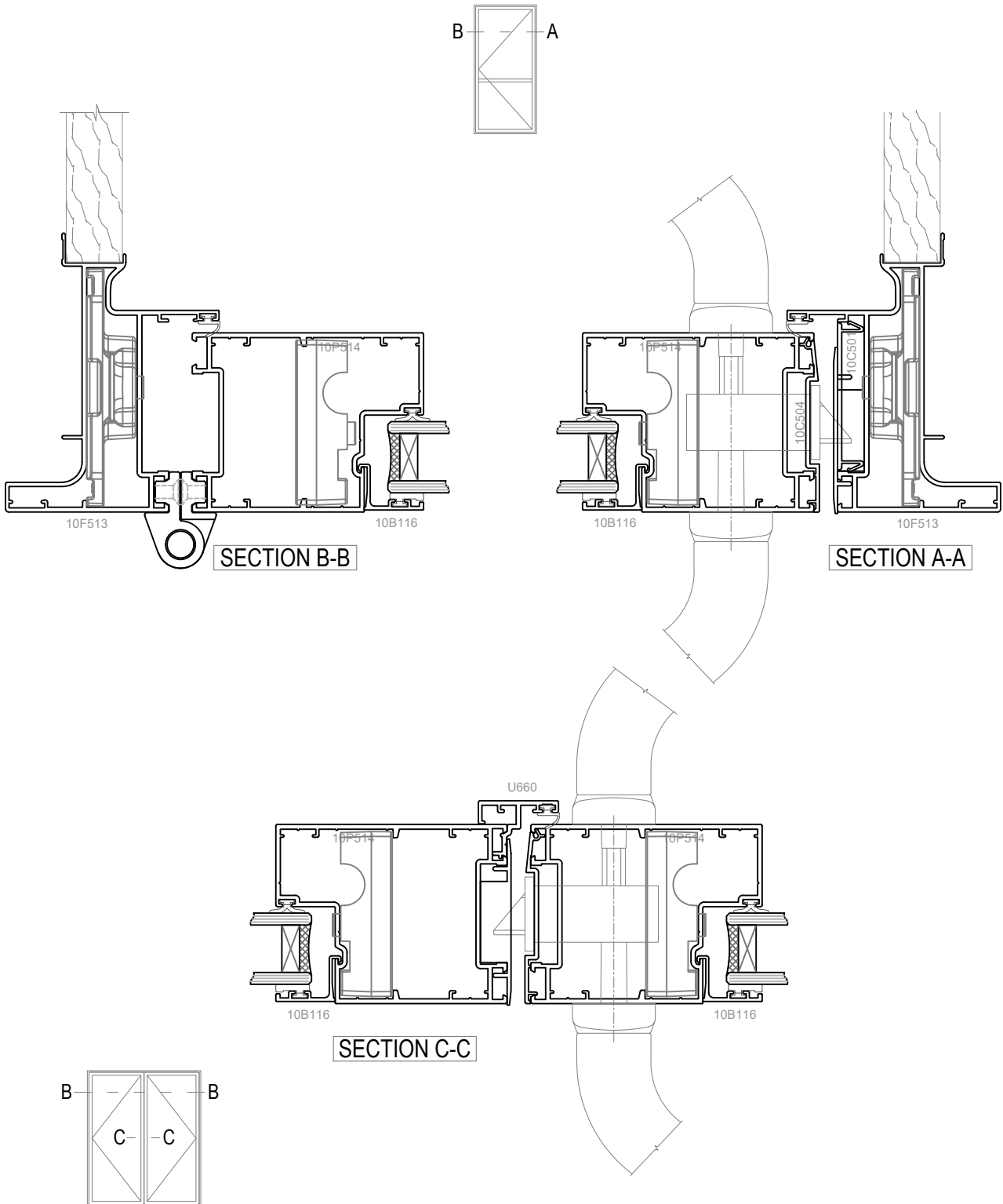


SECTION B-B

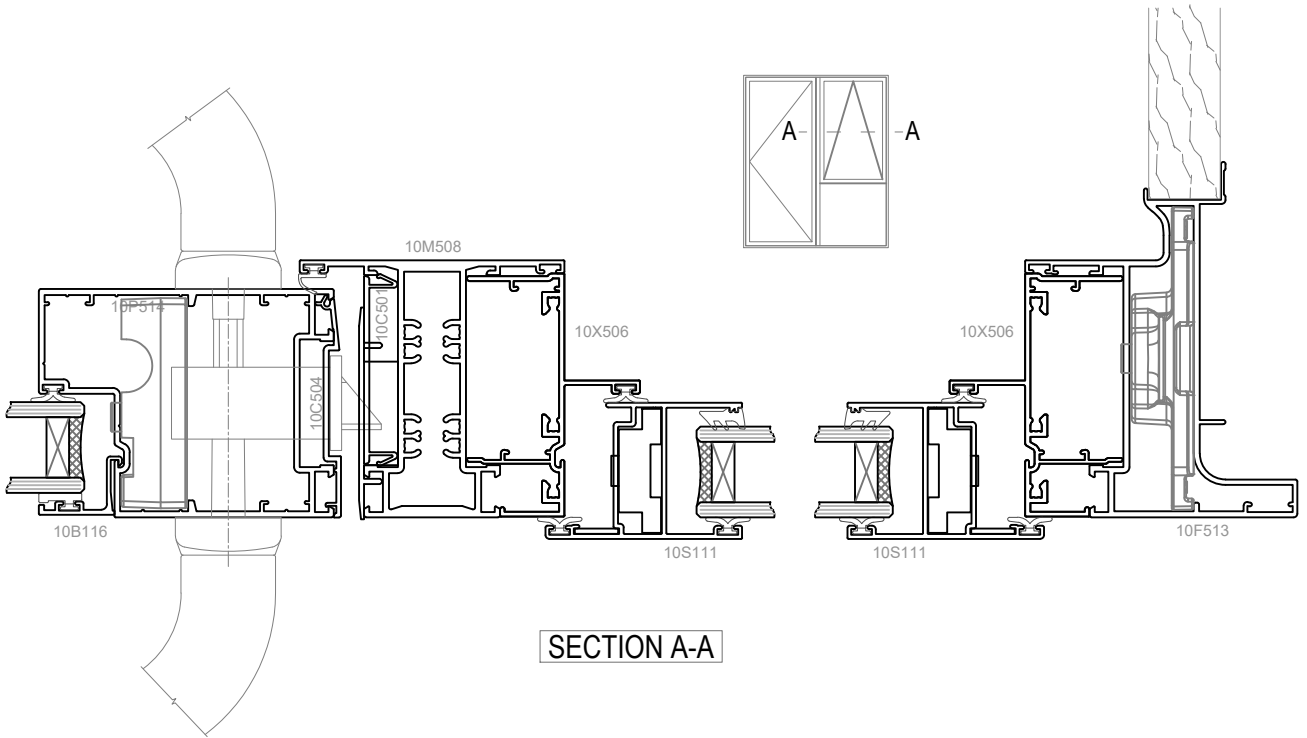
HORIZONTAL SLIDING WINDOW



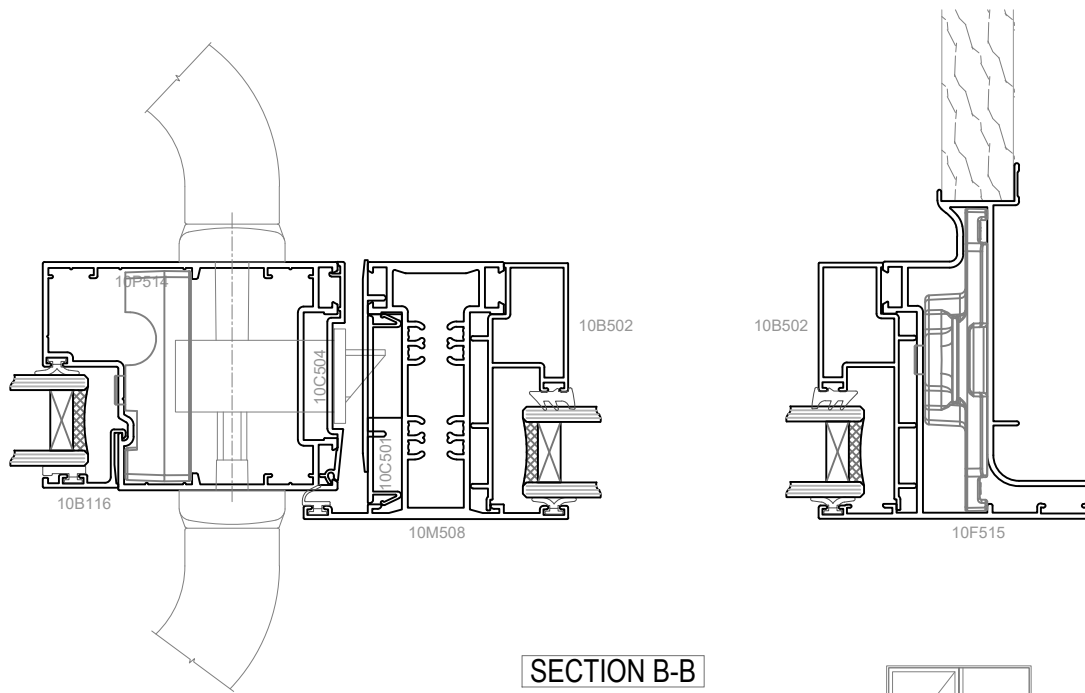
HINGED DOOR



HINGED DOOR

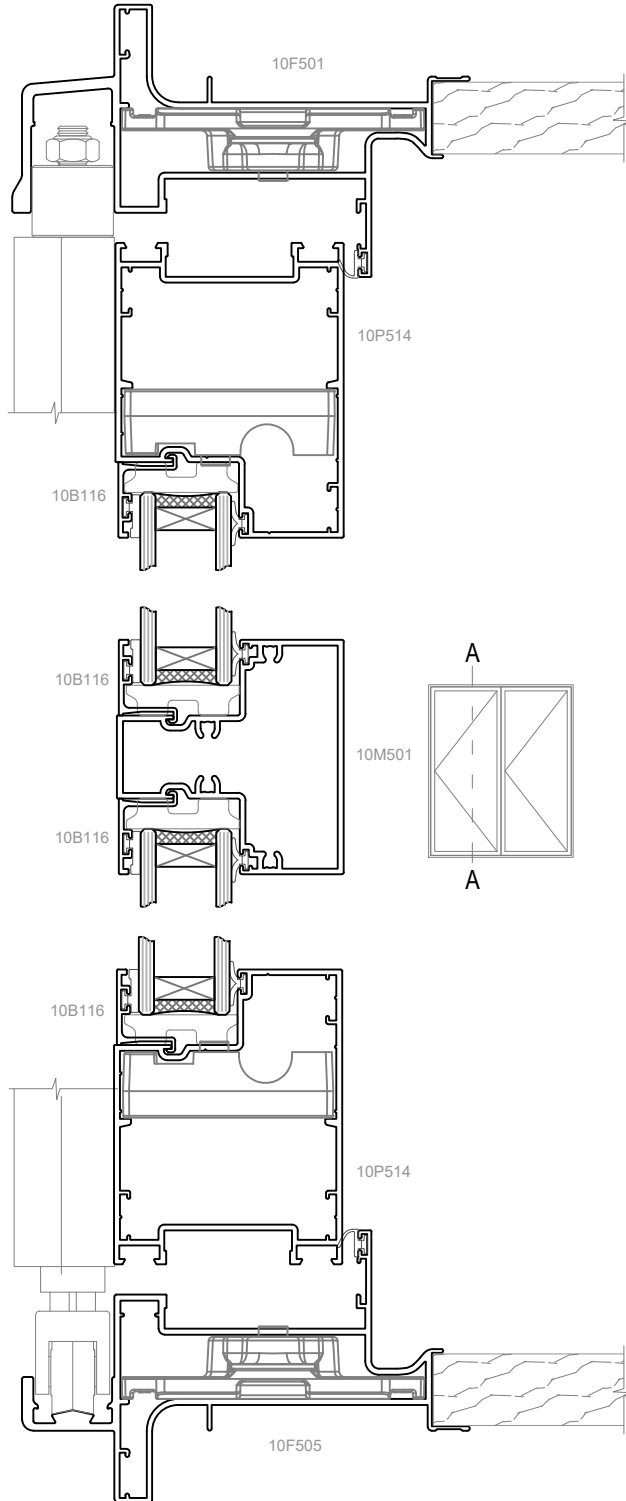


SECTION A-A



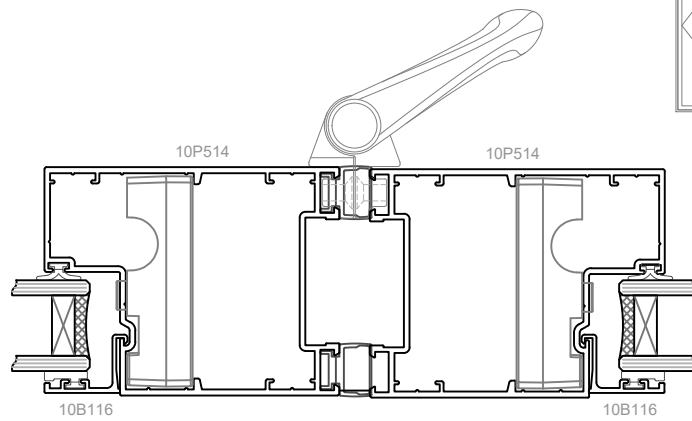
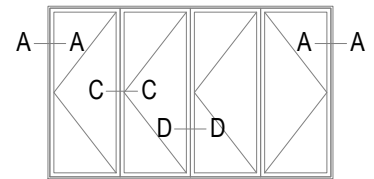
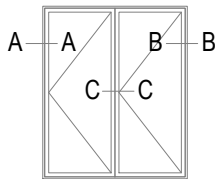
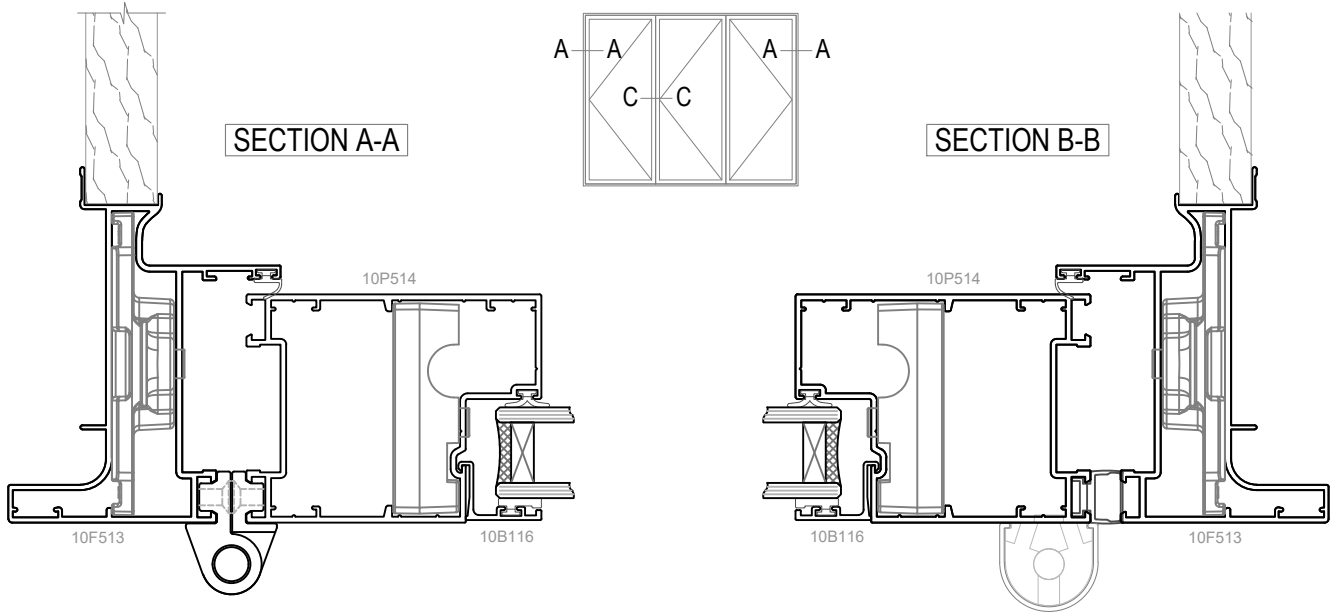
SECTION B-B

HINGED DOOR

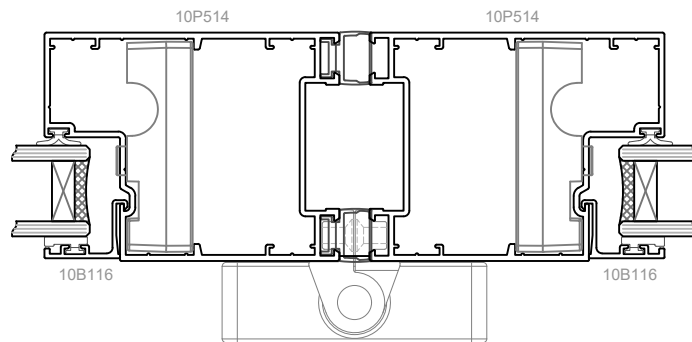


SECTION A-A

BOTTOM ROLLING BI-FOLD DOOR

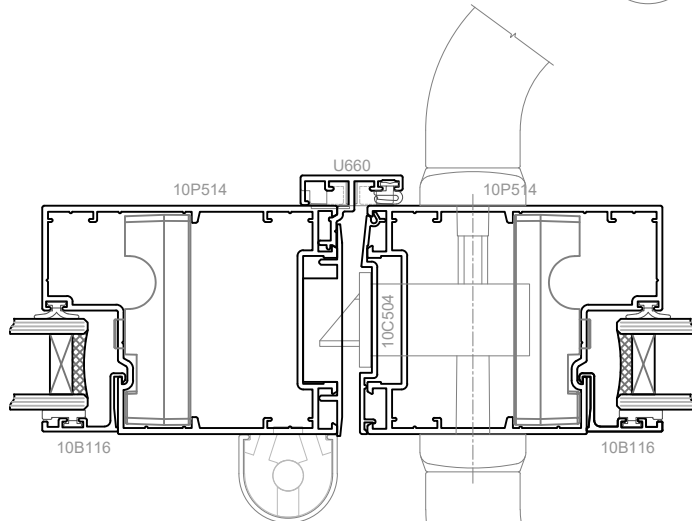
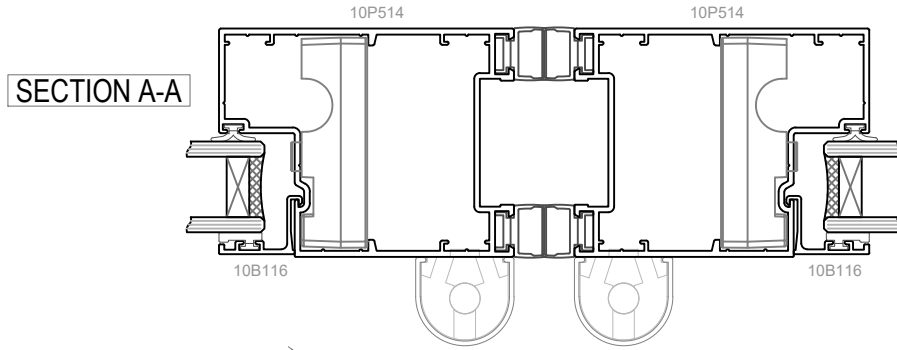
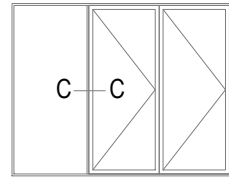
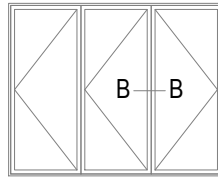
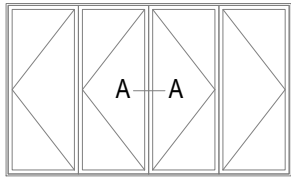


SECTION C-C

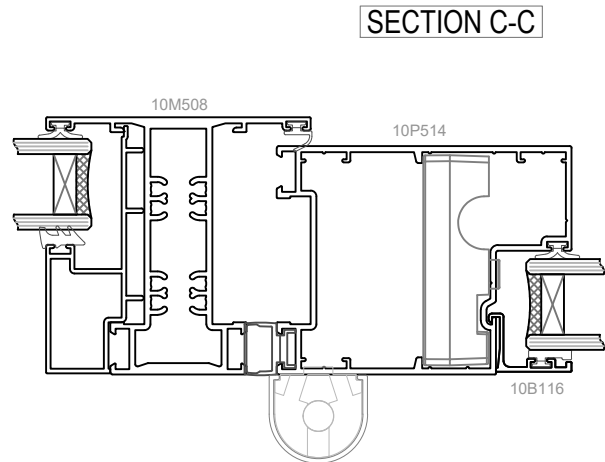


SECTION D-D

BOTTOM ROLLING BI-FOLD DOOR

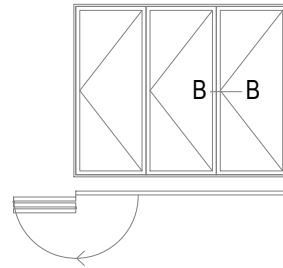
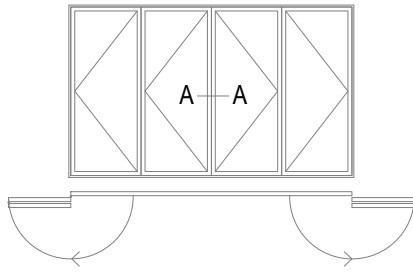


SECTION B-B

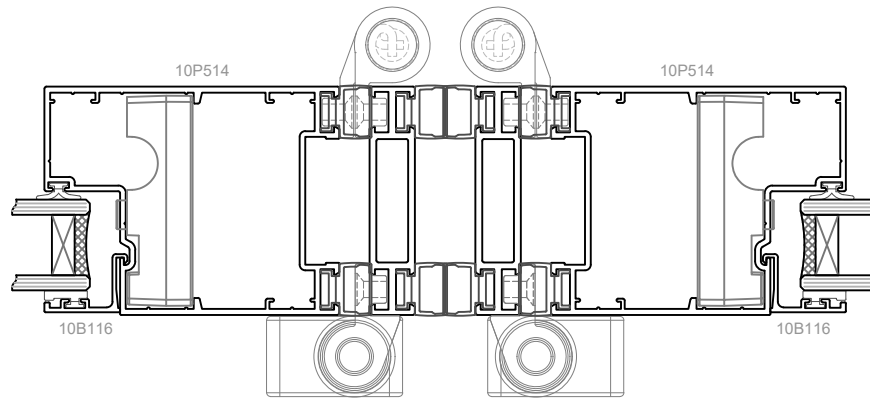


SECTION C-C

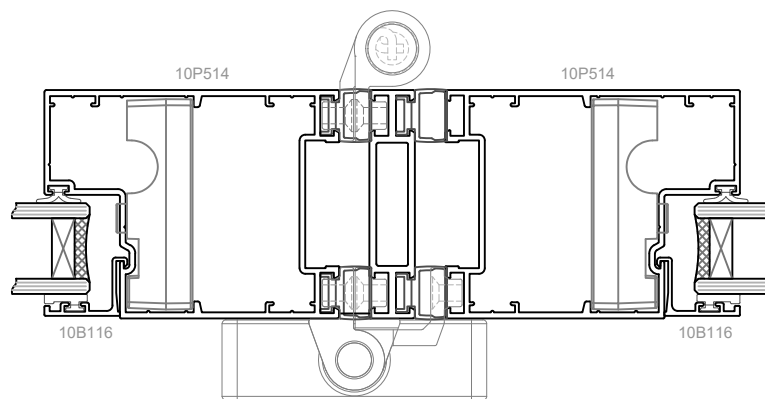
BOTTOM ROLLING BI-FOLD DOOR



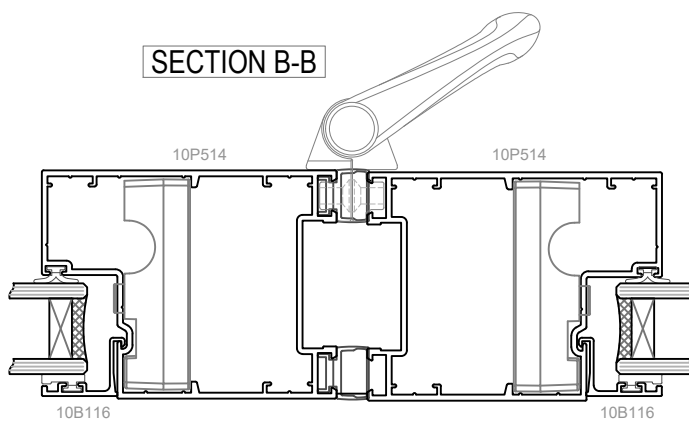
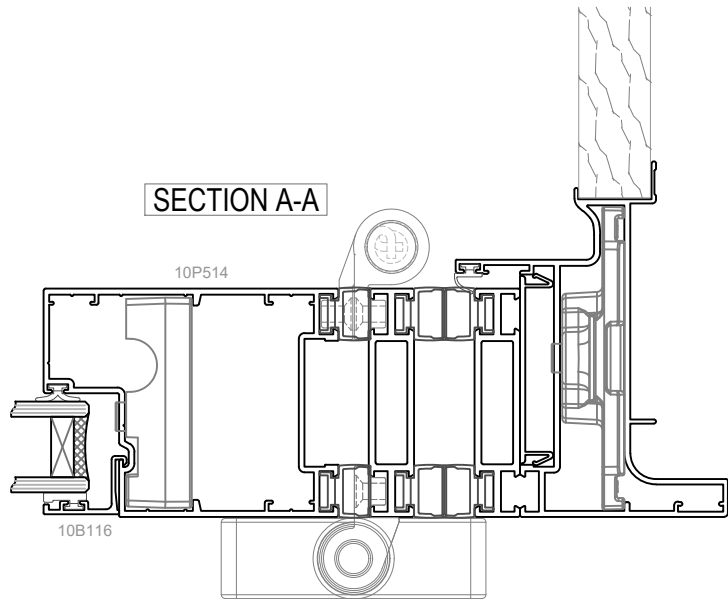
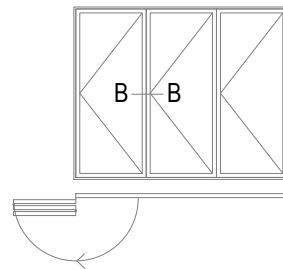
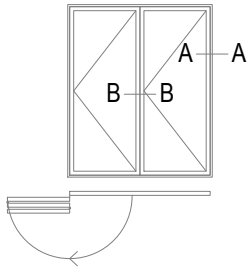
SECTION A-A



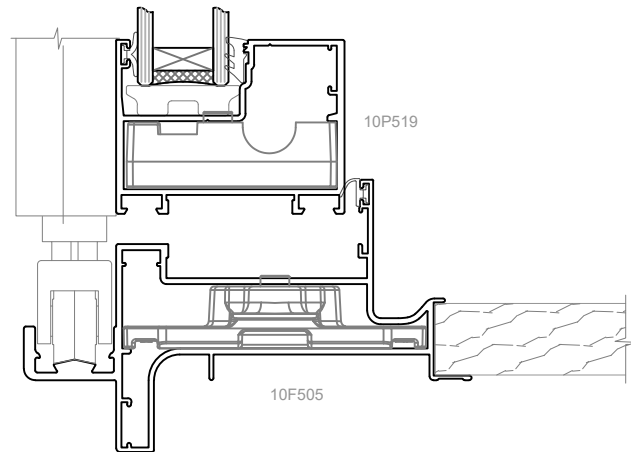
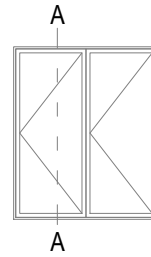
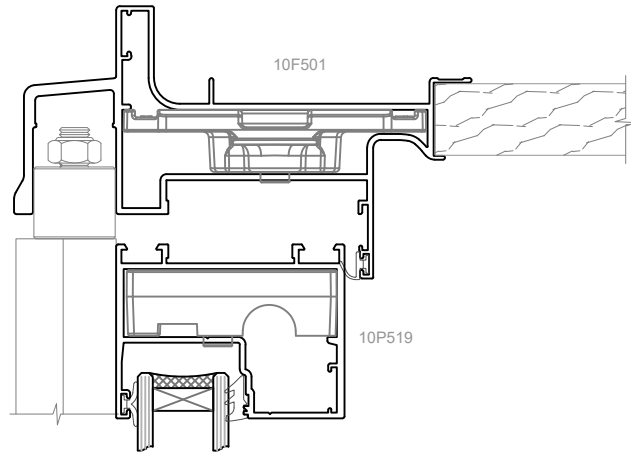
SECTION B-B



BOTTOM ROLLING BI-FOLD DOOR - FREEFOLD

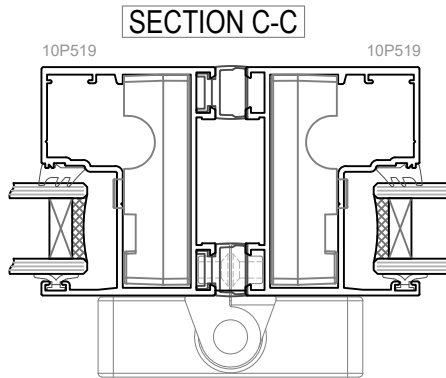
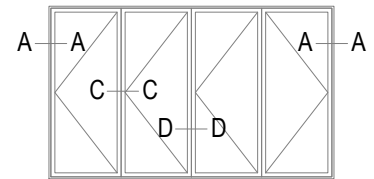
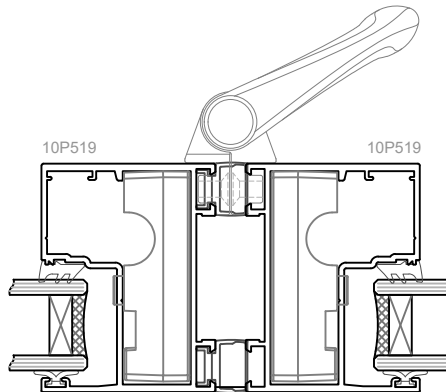
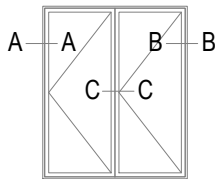
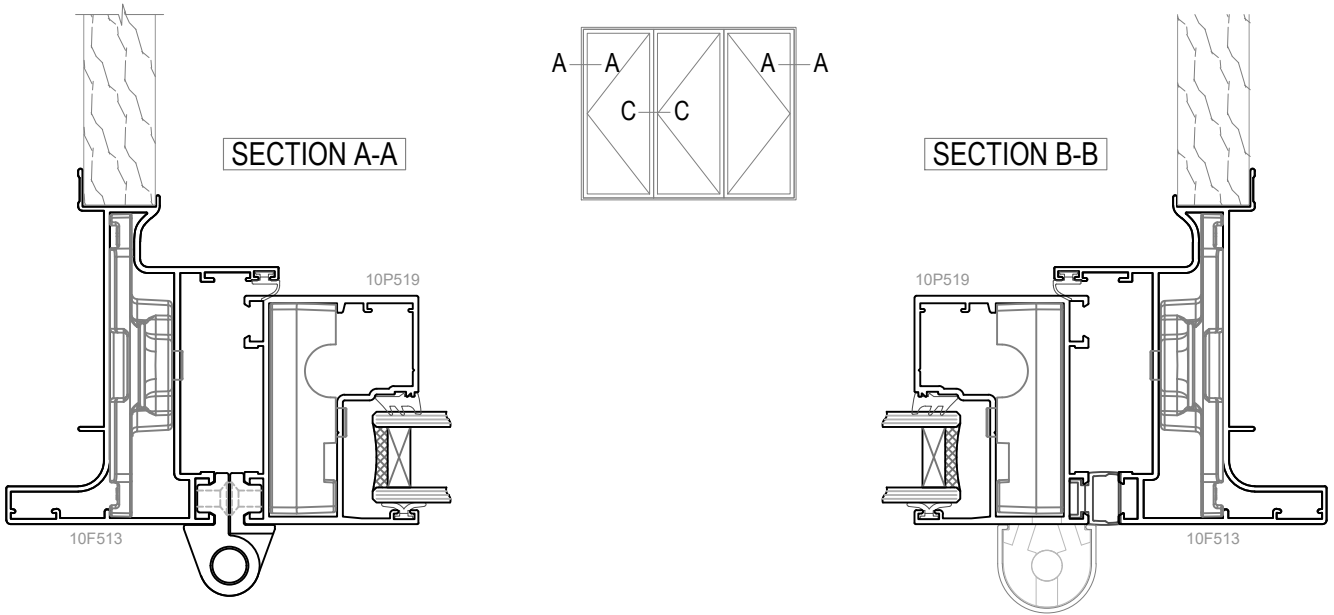


BOTTOM ROLLING BI-FOLD DOOR - FREEFOLD

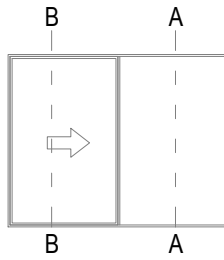


SECTION A-A

BI-FOLD WINDOW

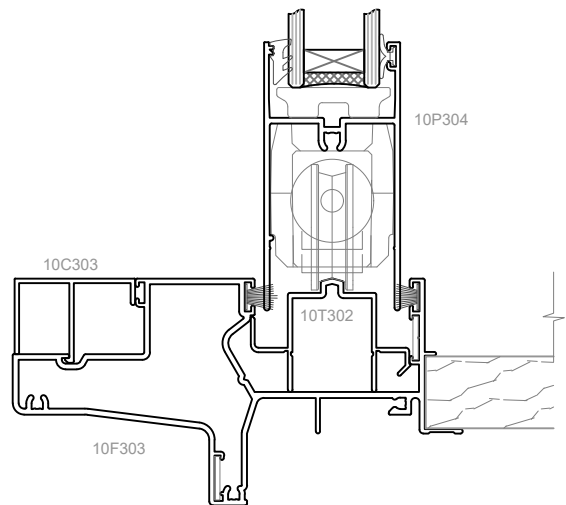
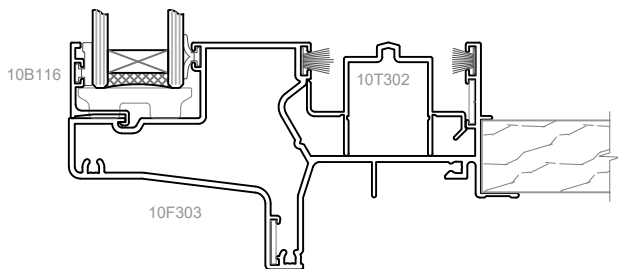
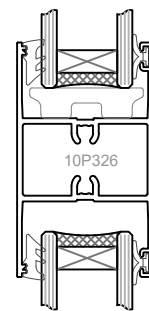
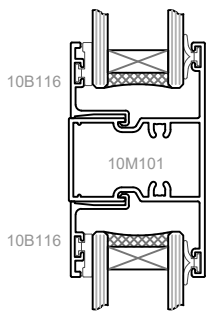
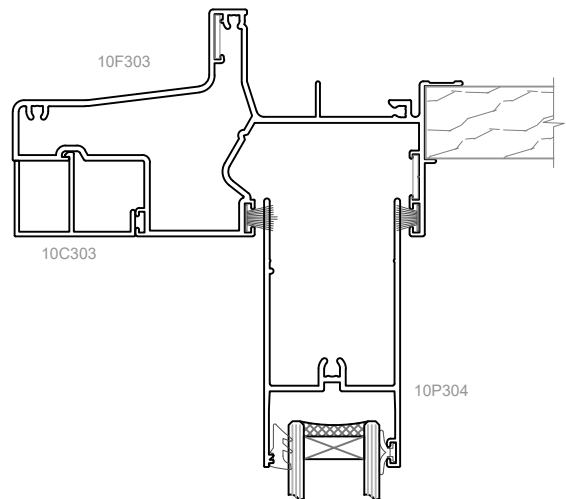
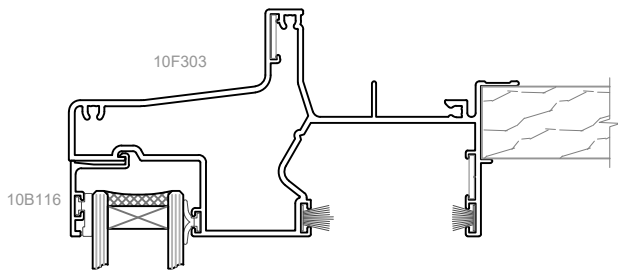


BI-FOLD WINDOW

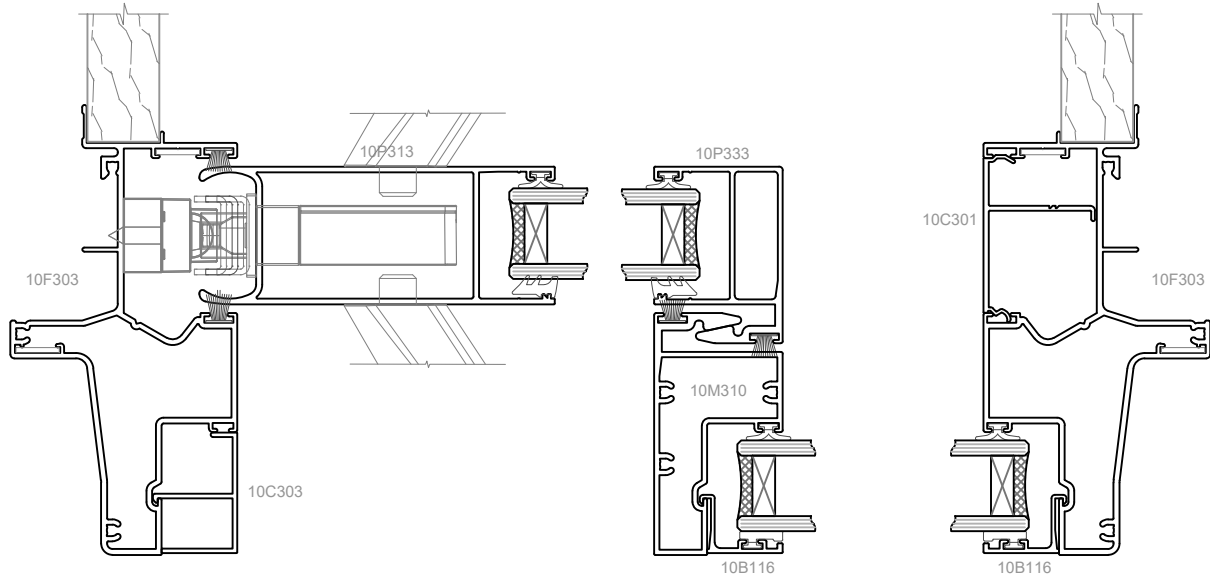


SECTION A-A

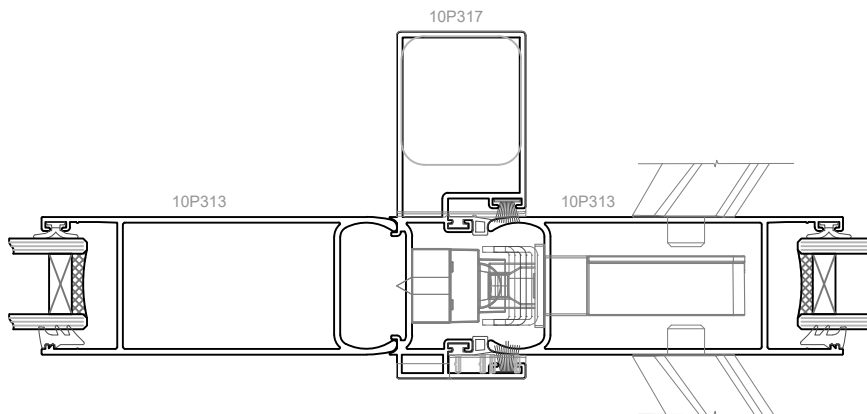
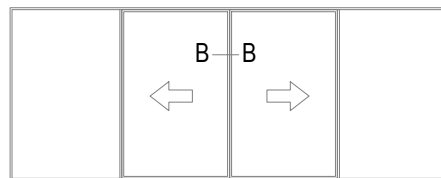
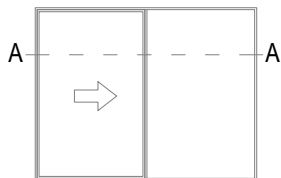
SECTION B-B



SLIDING DOOR

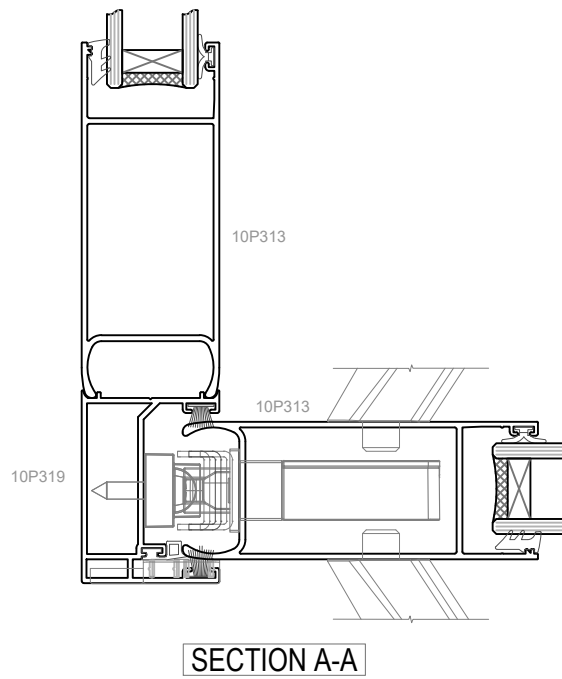
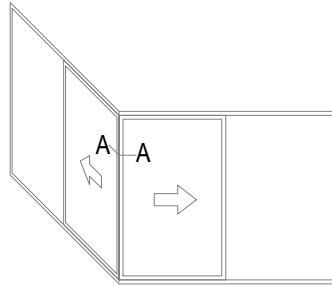


SECTION A-A

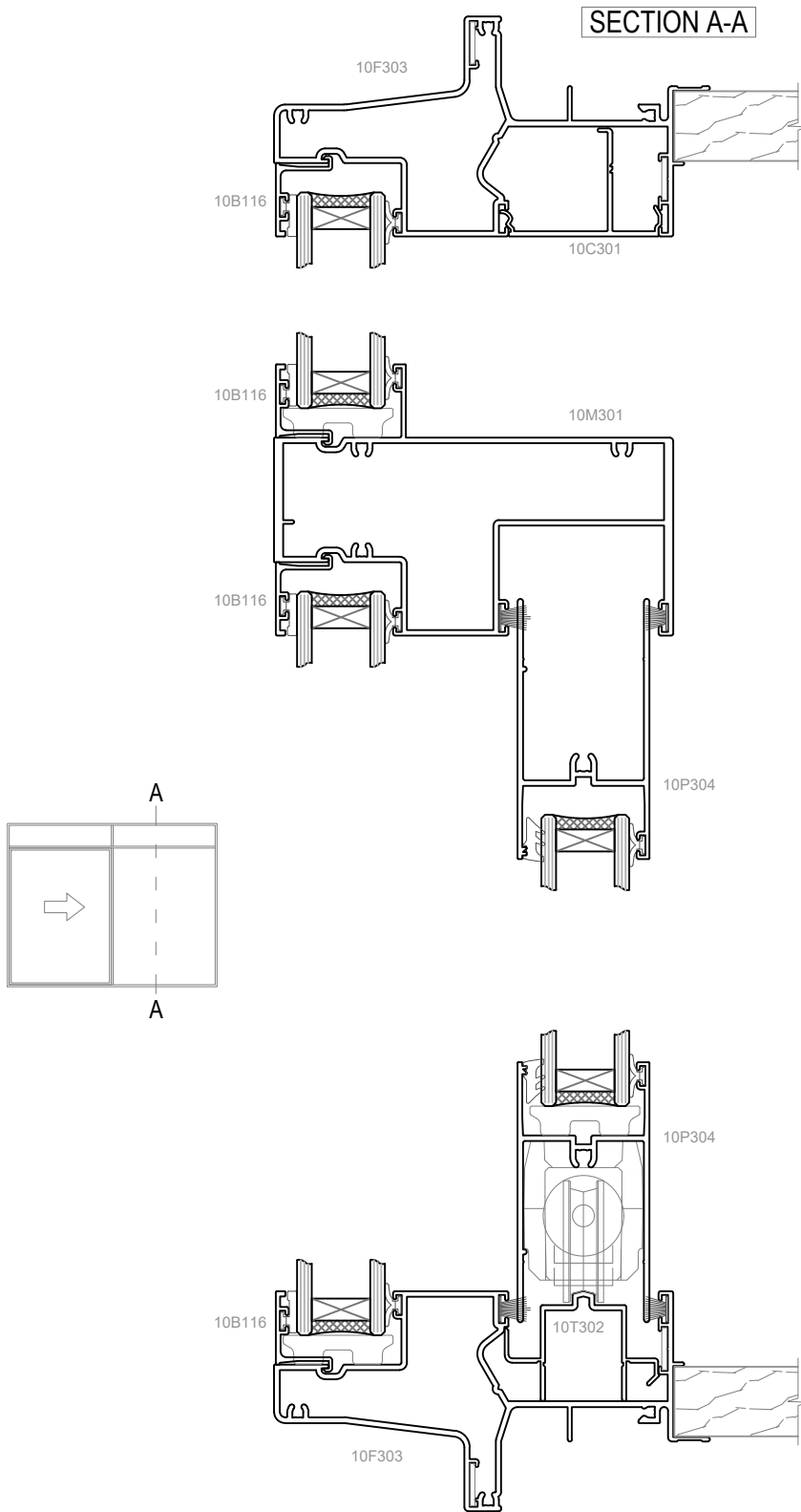


SECTION B-B

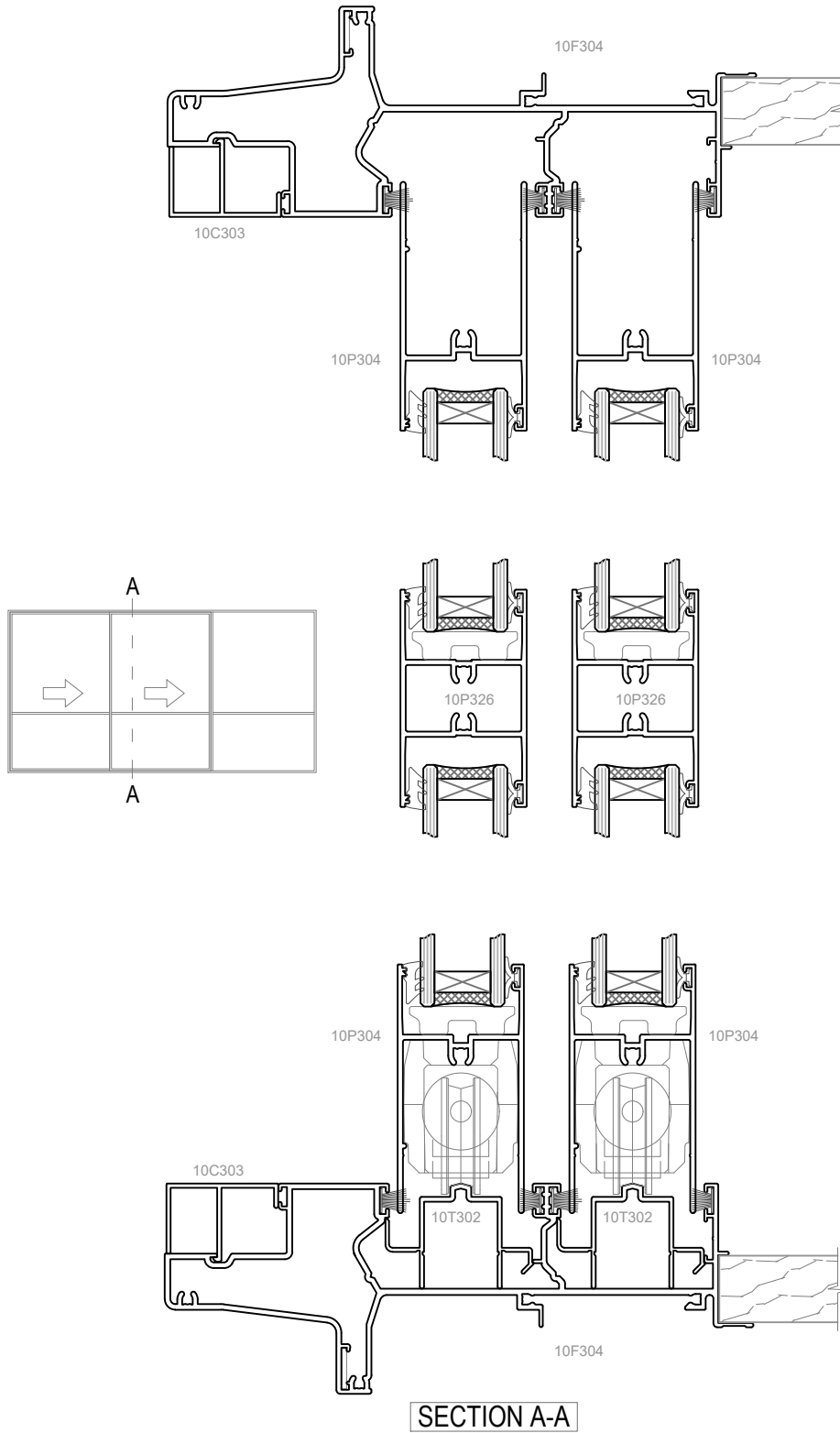
SLIDING DOOR



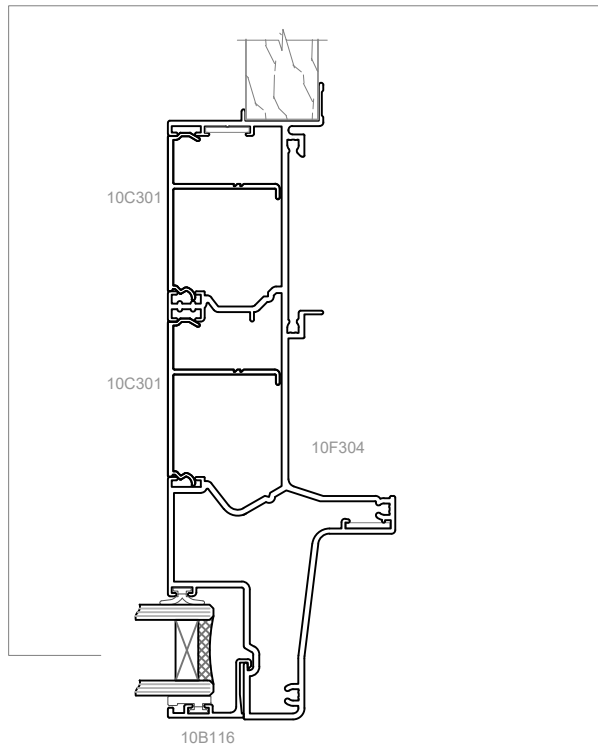
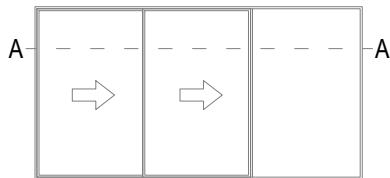
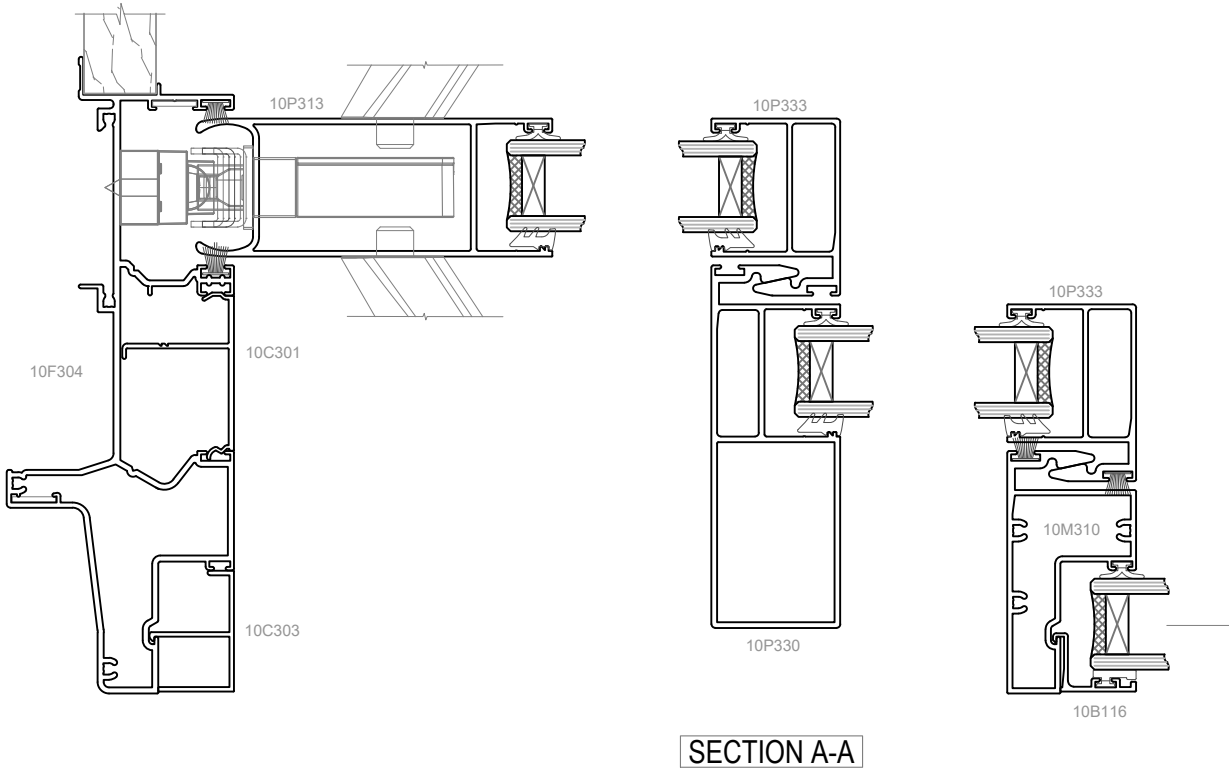
SLIDING DOOR



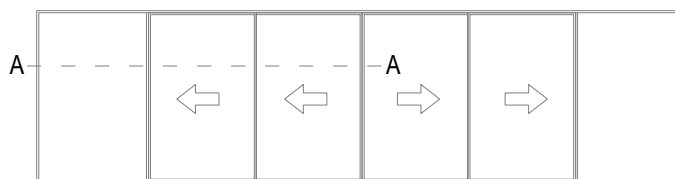
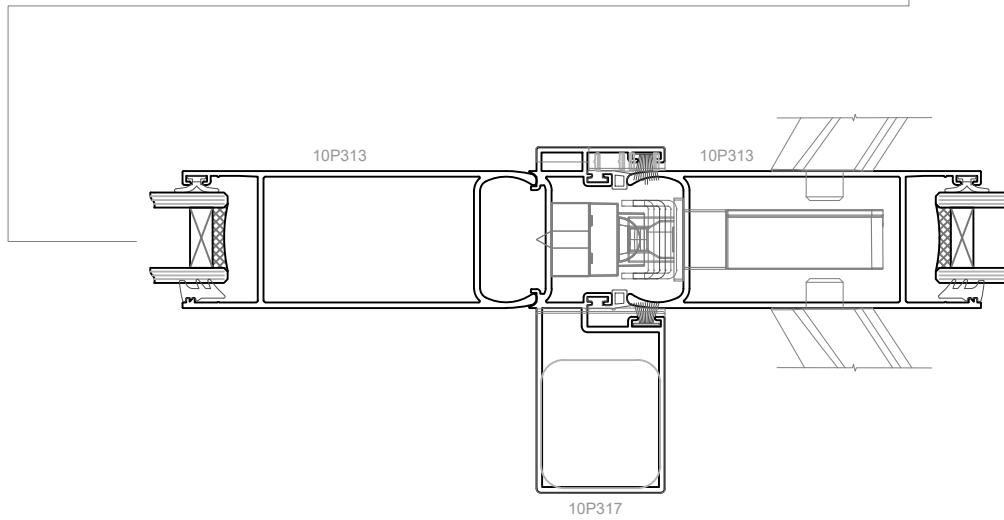
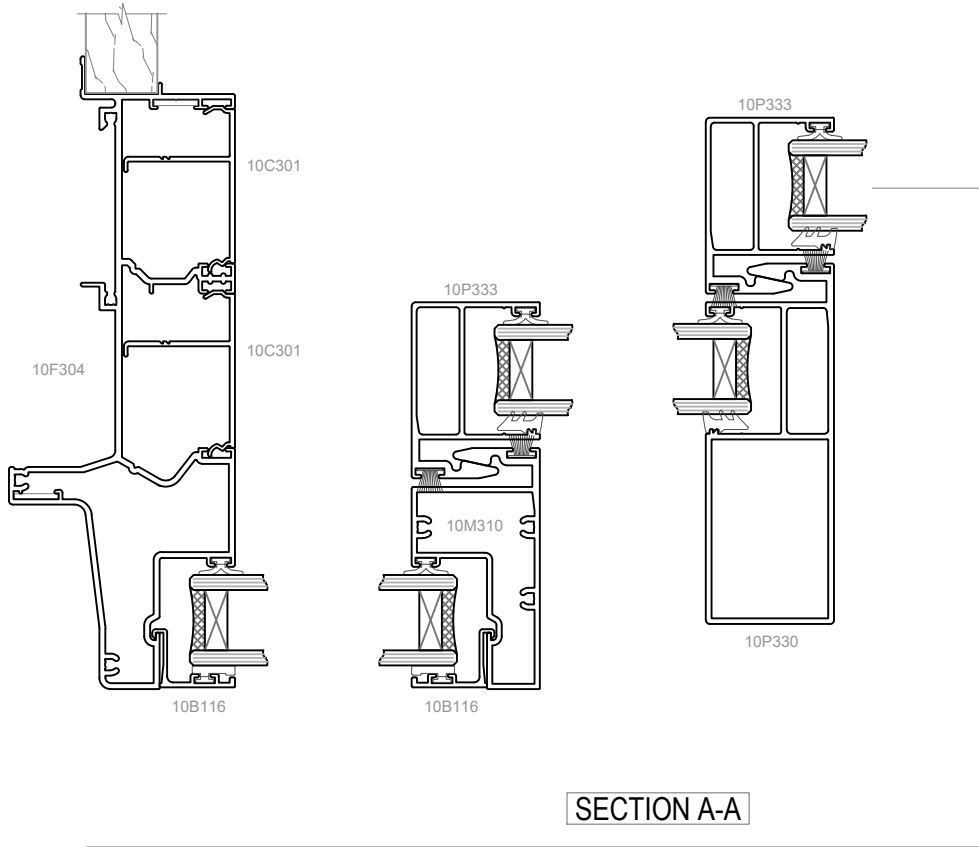
SLIDING DOOR



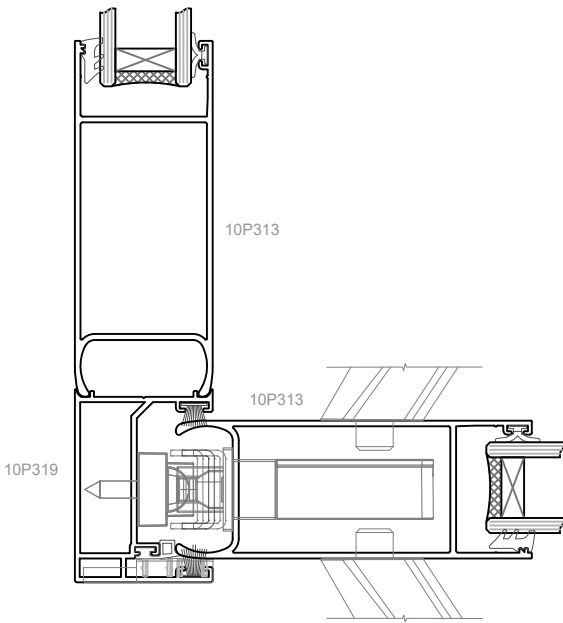
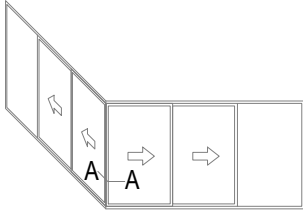
STACKING DOOR



STACKING DOOR

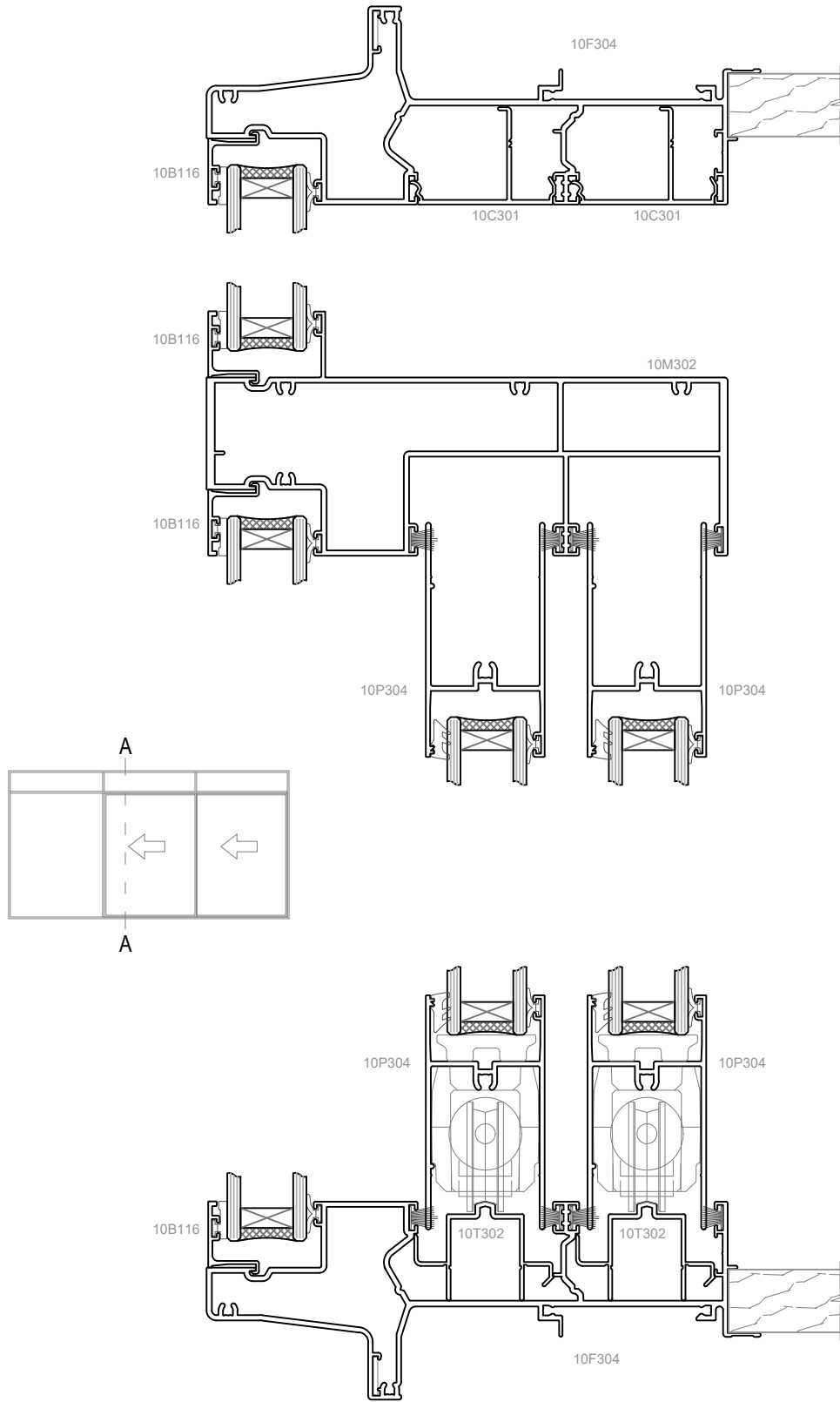


STACKING DOOR



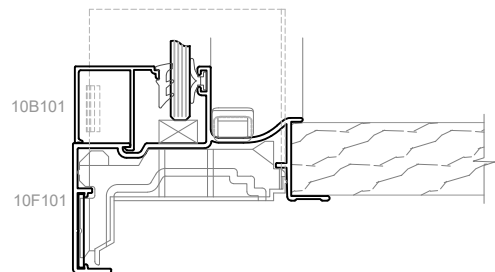
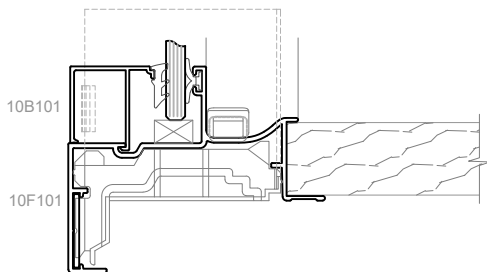
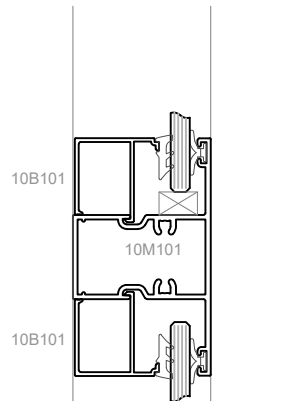
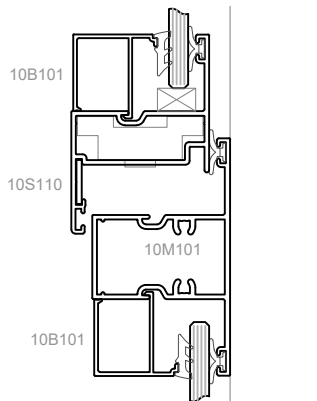
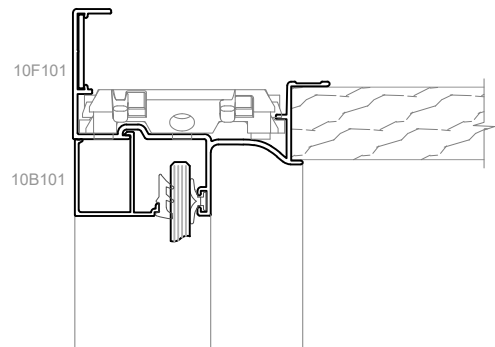
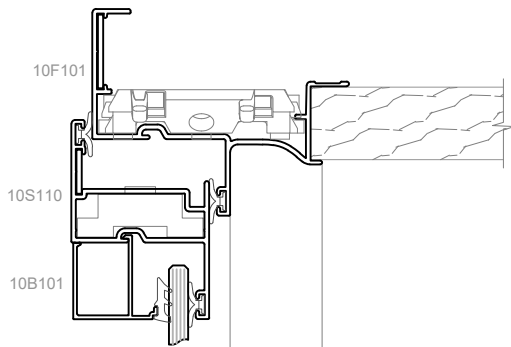
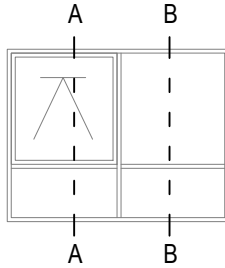
SECTION A-A

STACKING DOOR



SECTION A-A

STACKING DOOR

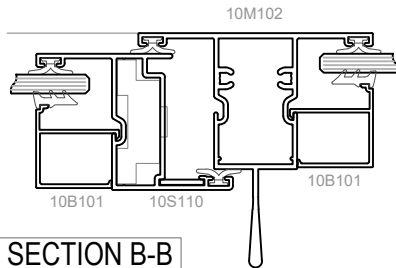
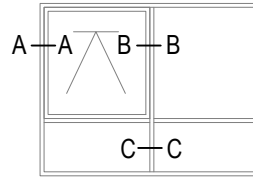
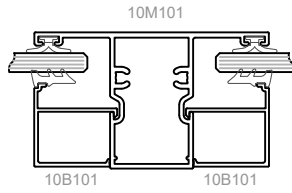


SECTION A-A

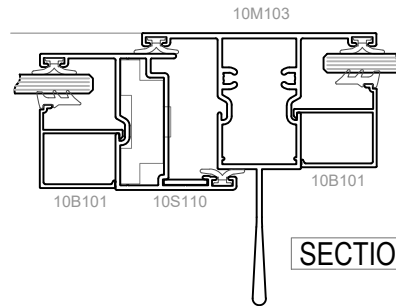
SECTION B-B

AWNING / CASEMENT WINDOW

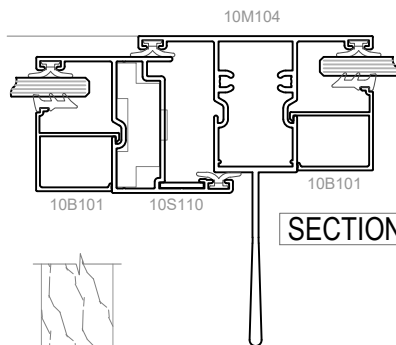
SECTION C-C



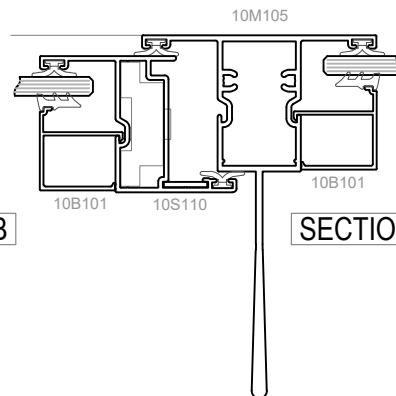
SECTION B-B



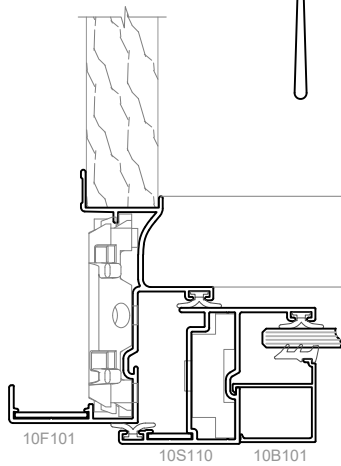
SECTION B-B



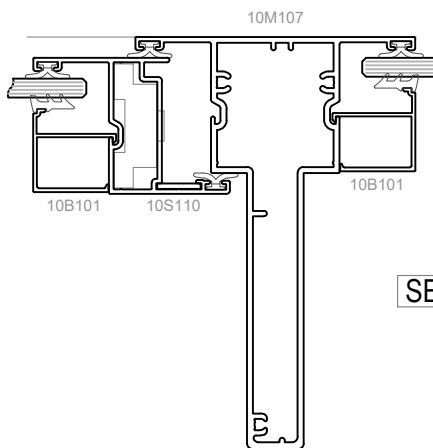
SECTION B-B



SECTION B-B

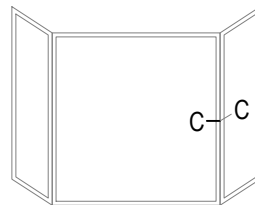
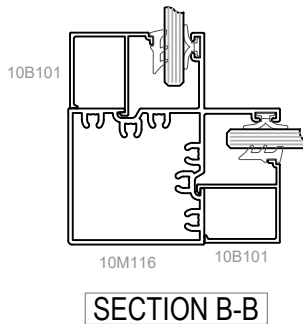
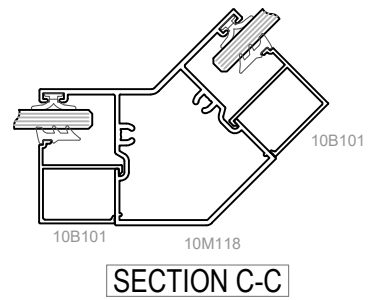
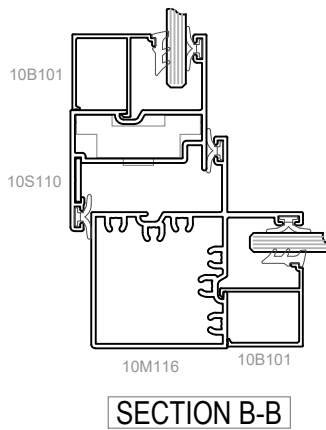
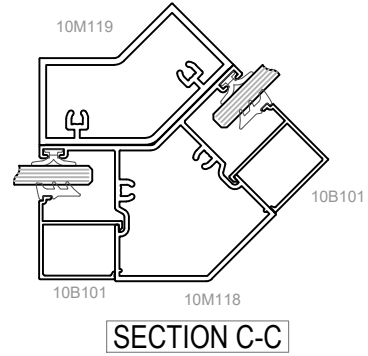
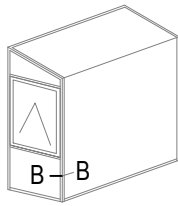


SECTION A-A

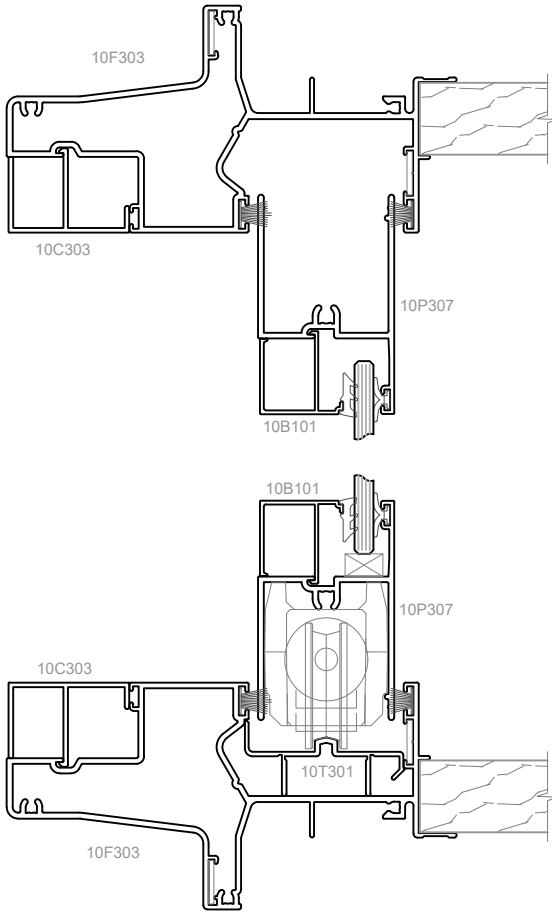


SECTION B-B

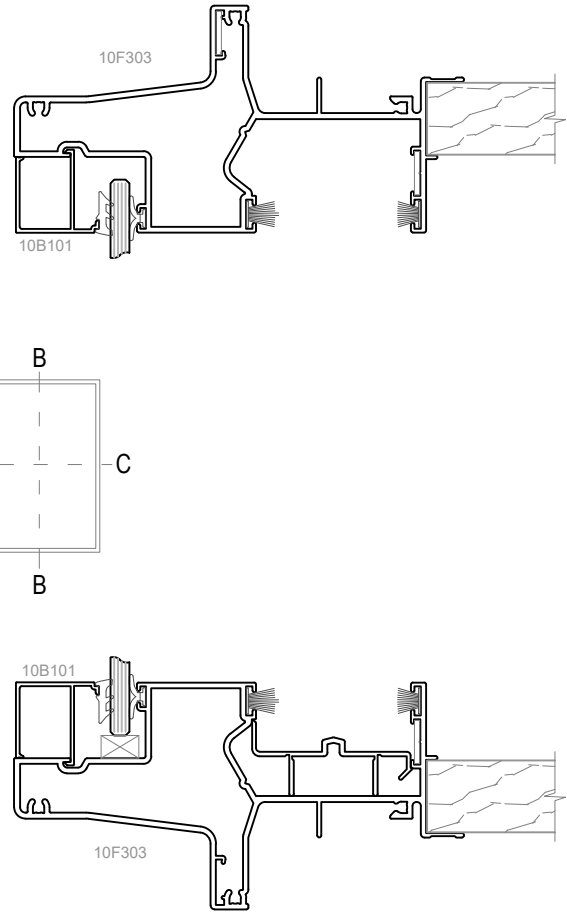
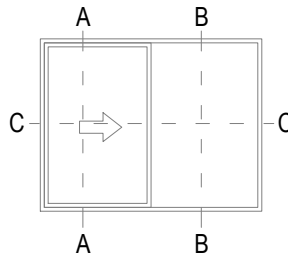
AWNING / CASEMENT WINDOW



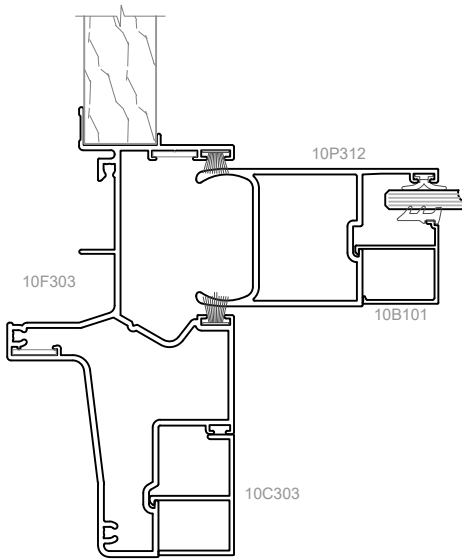
AWNING / CASEMENT WINDOW



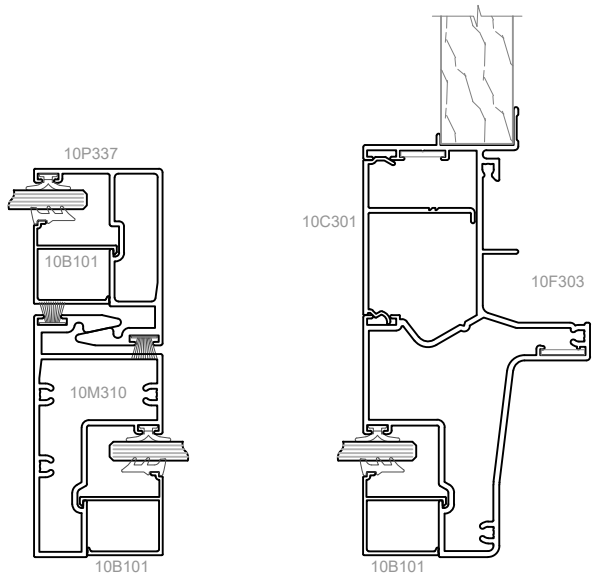
SECTION A-A



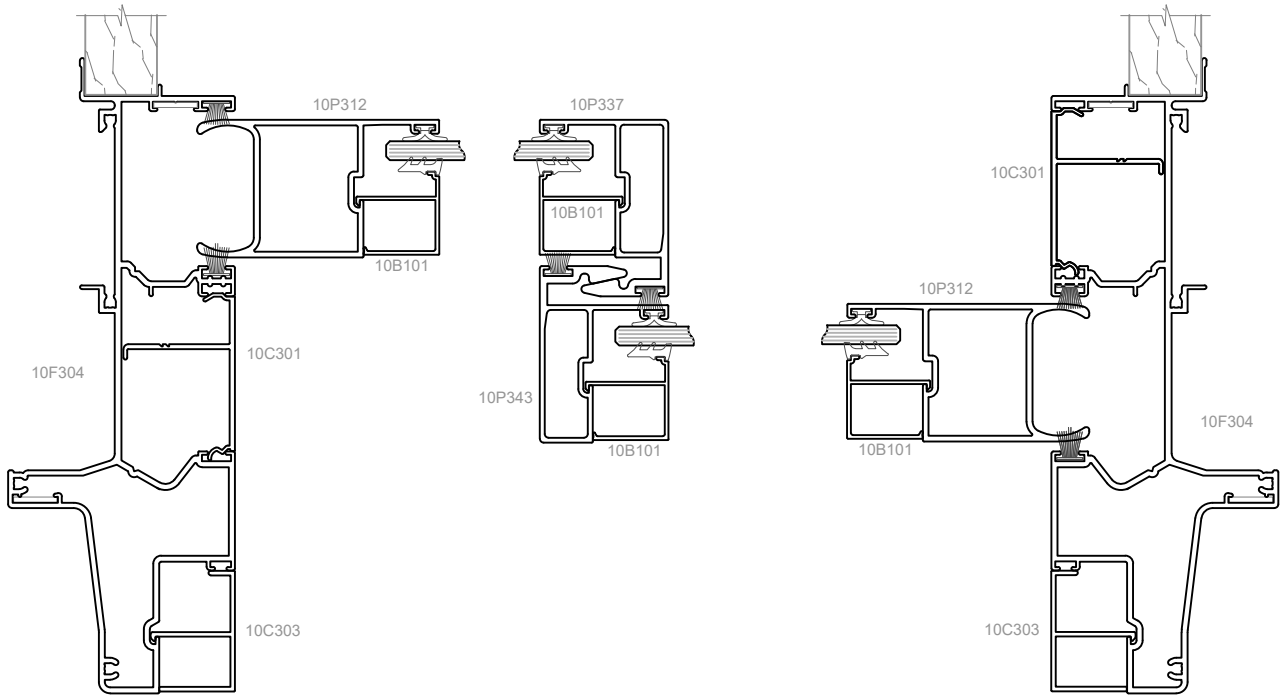
SECTION B-B



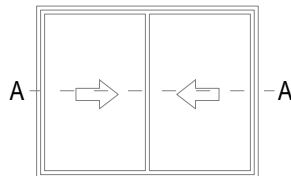
SECTION C-C



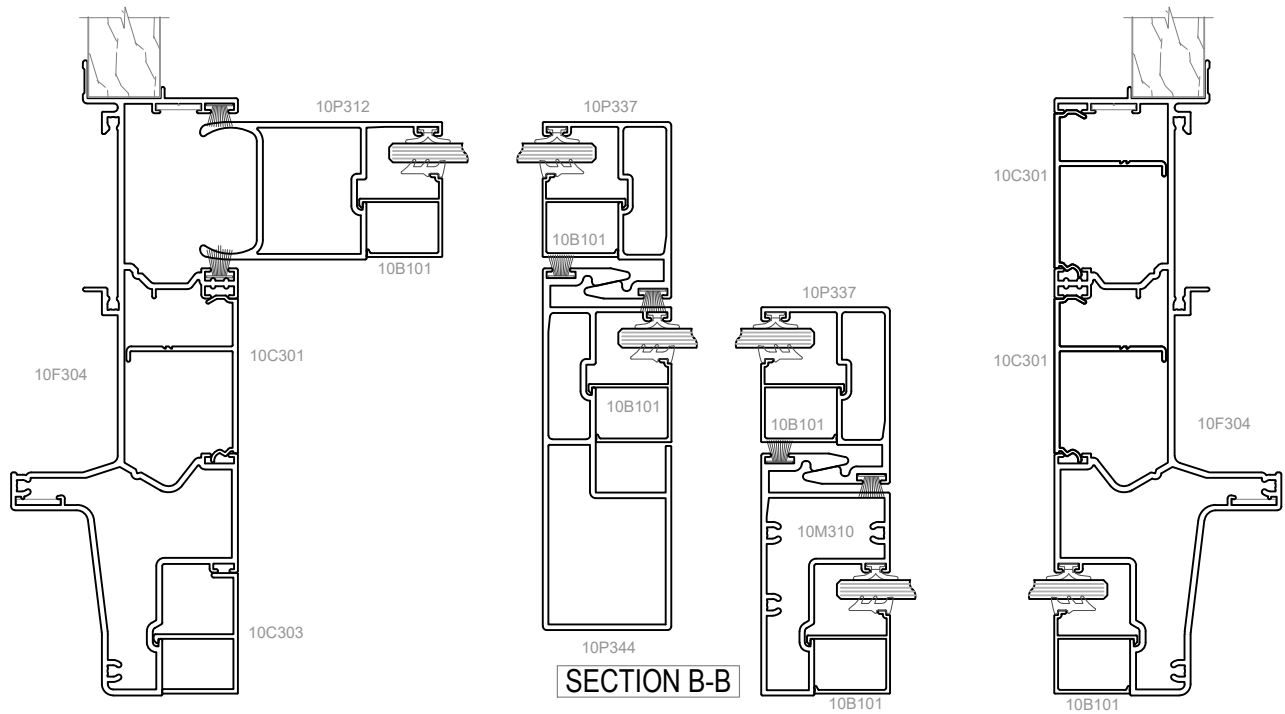
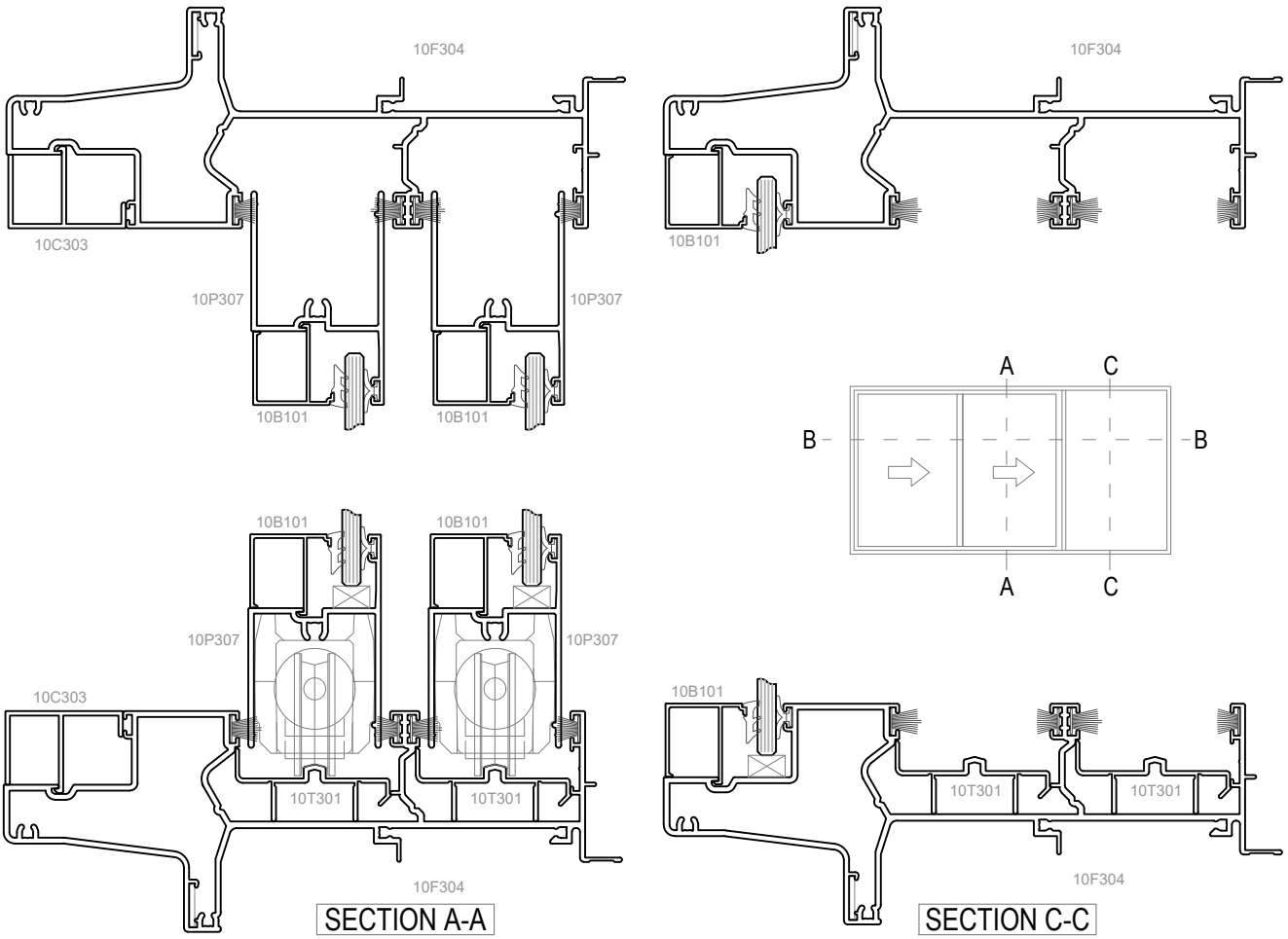
HORIZONTAL SLIDING WINDOW



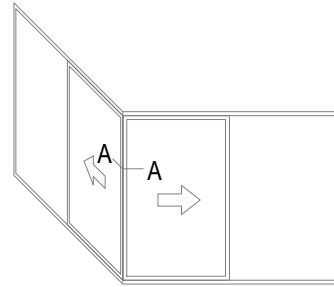
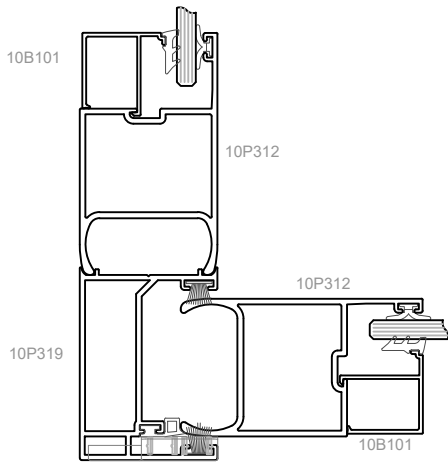
SECTION A-A



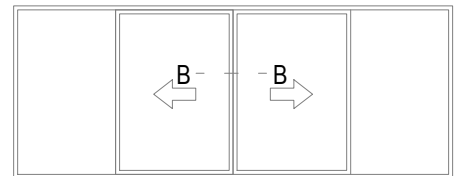
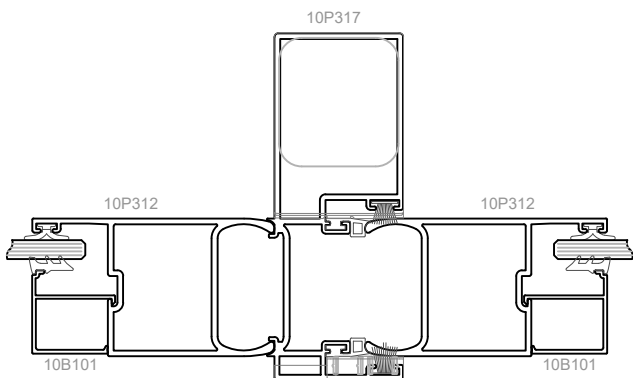
HORIZONTAL SLIDING WINDOW



HORIZONTAL SLIDING WINDOW

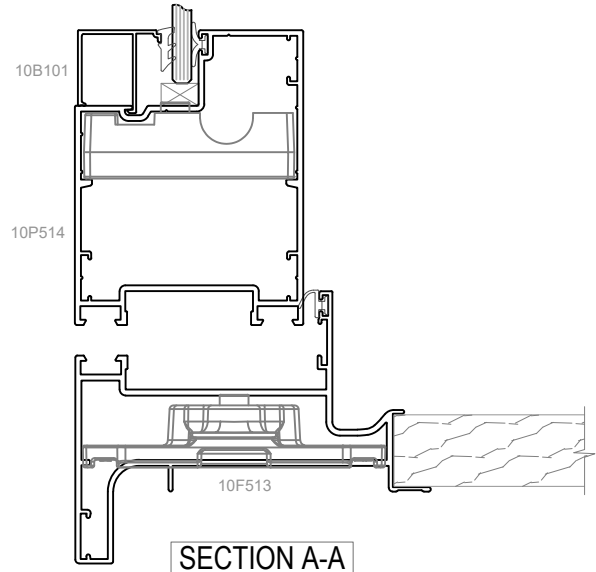
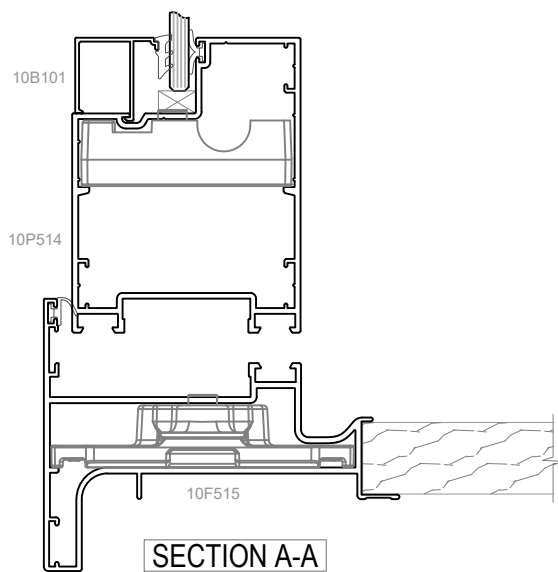
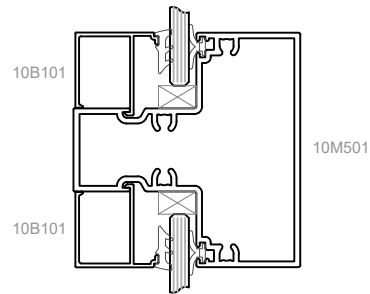
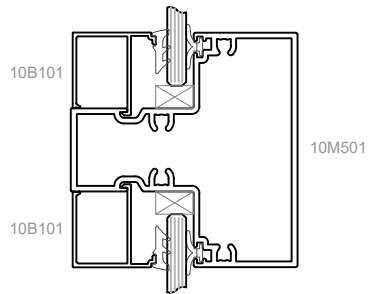
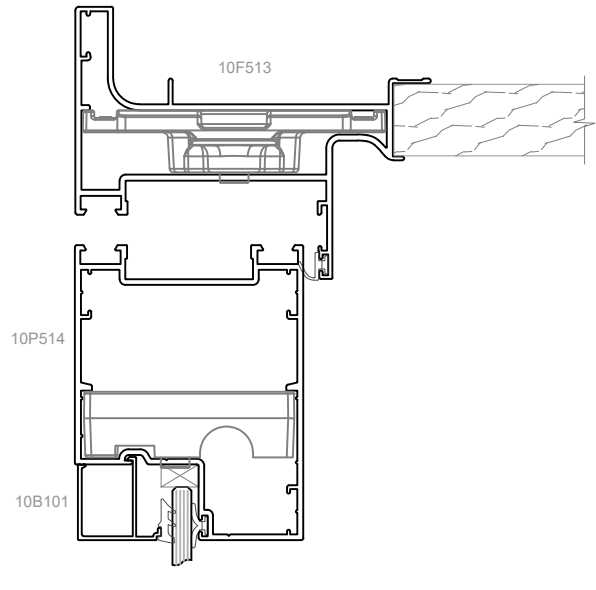
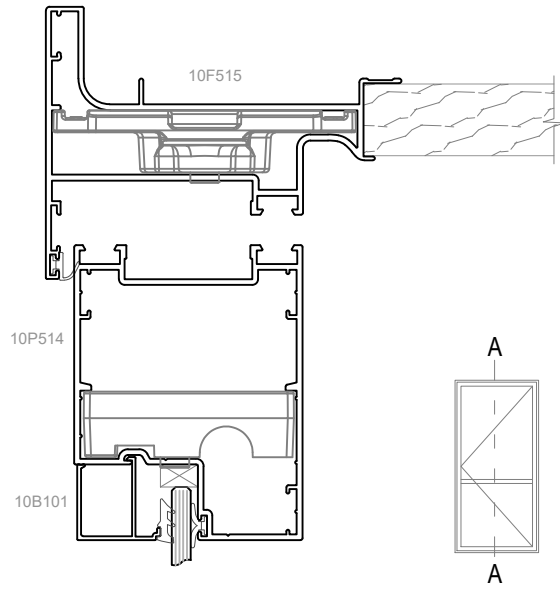


SECTION A-A

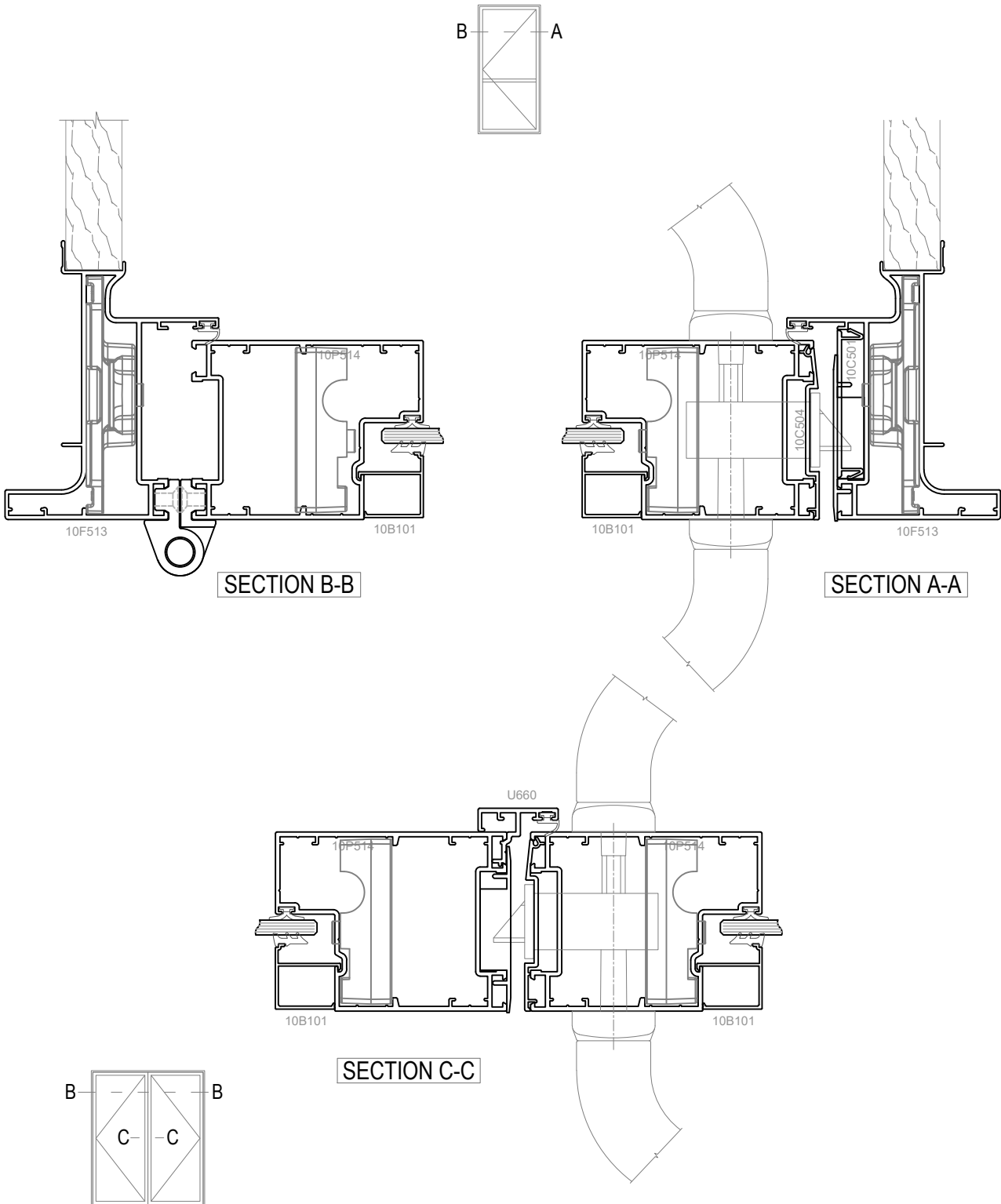


SECTION B-B

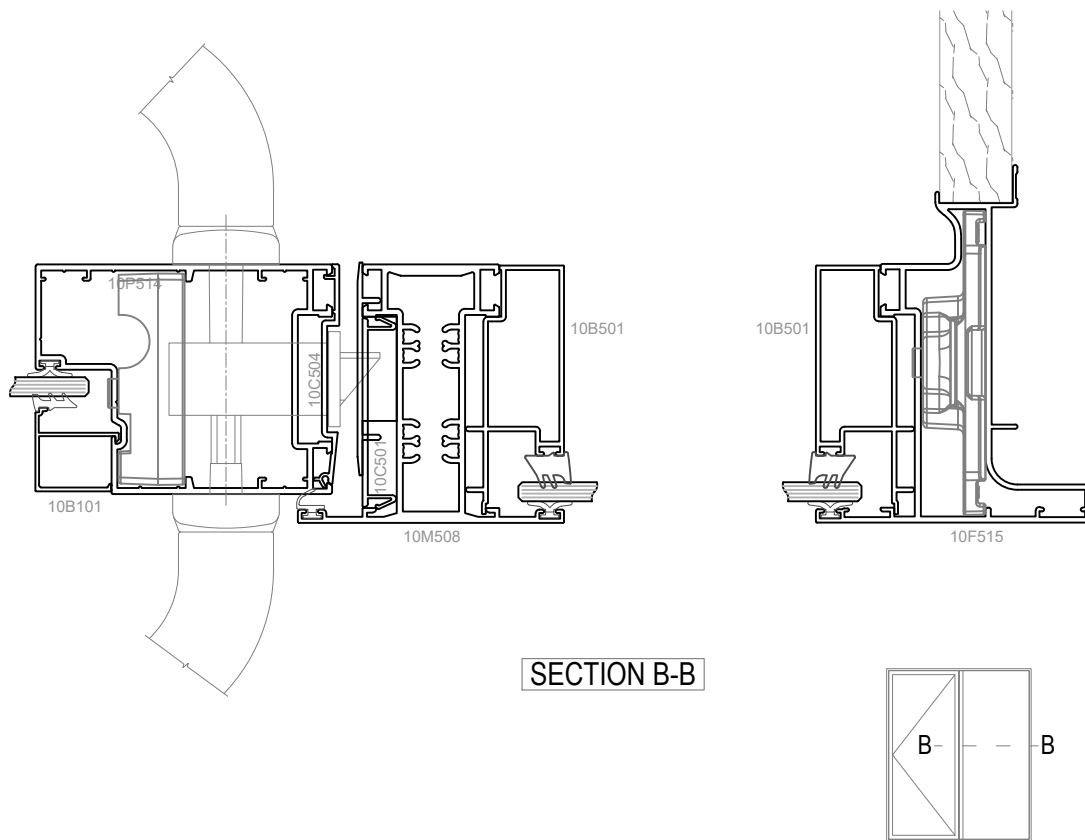
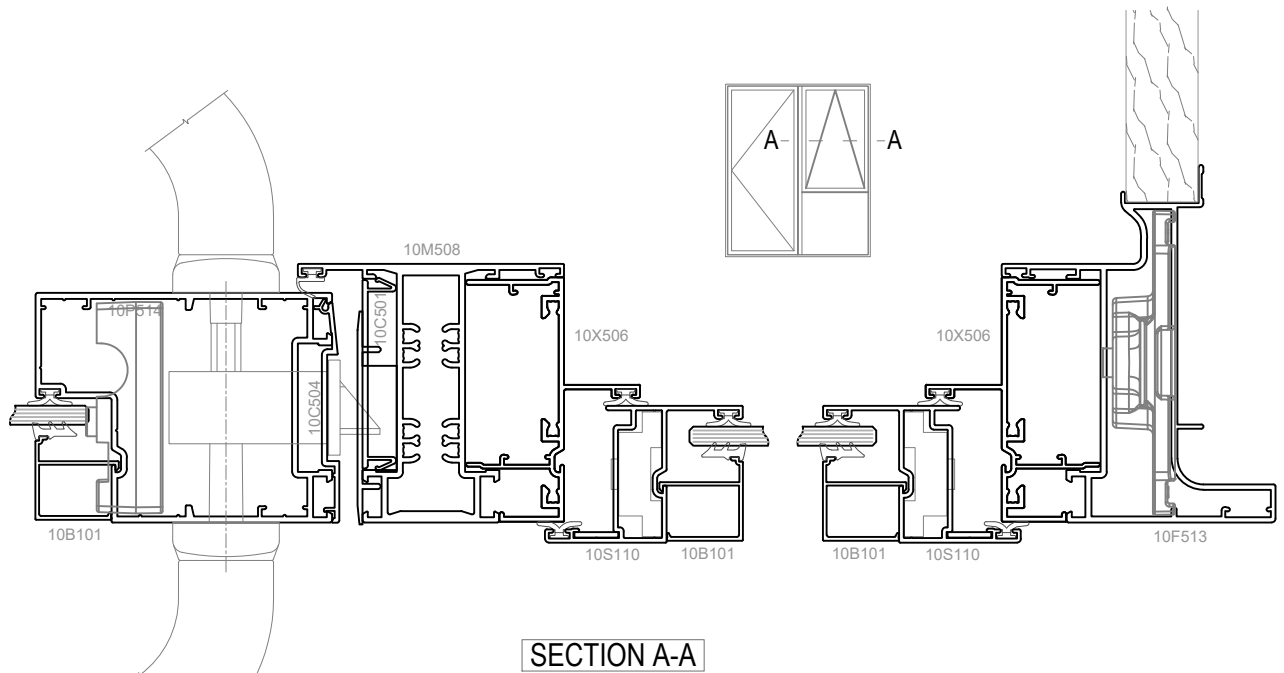
HORIZONTAL SLIDING WINDOW



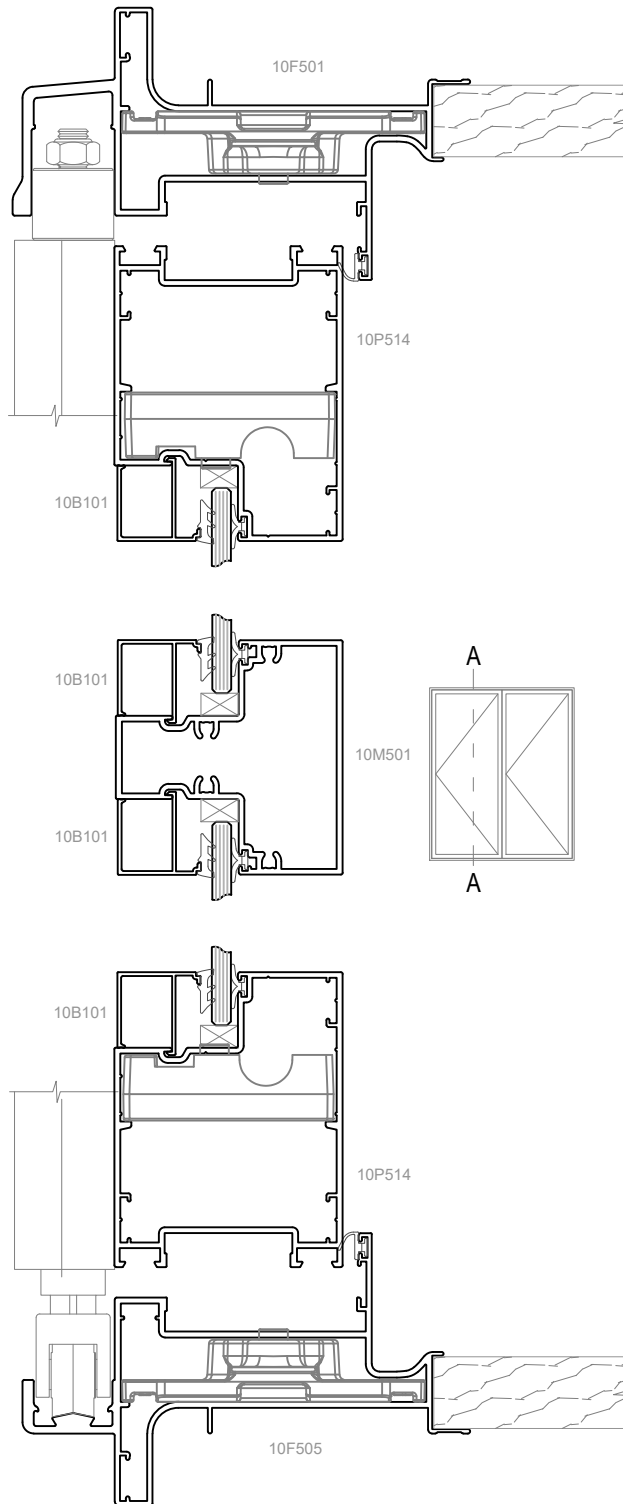
HINGED DOOR



HINGED DOOR

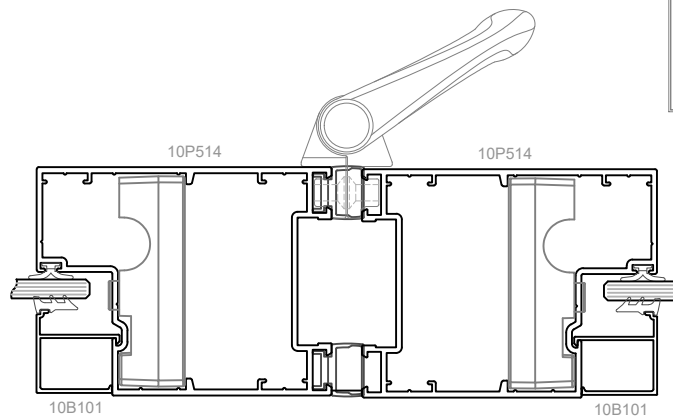
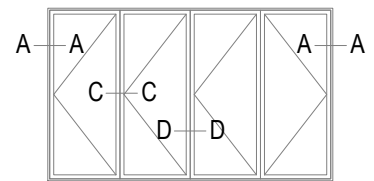
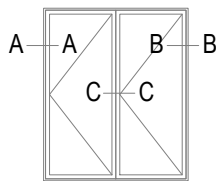
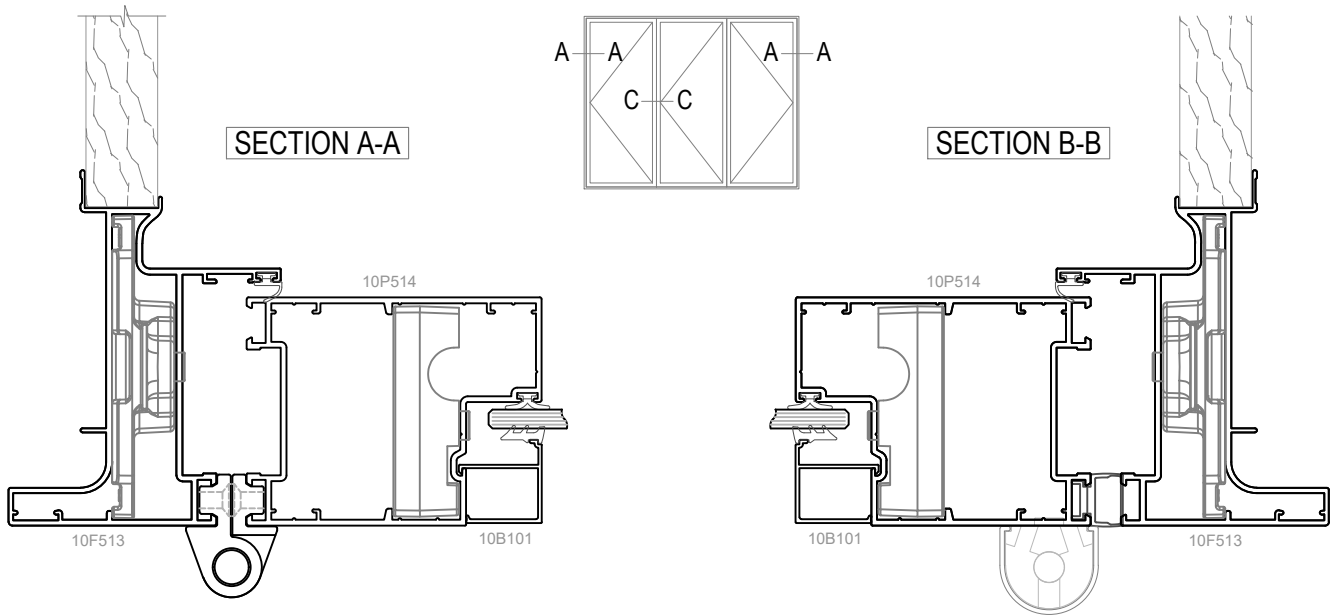


HINGED DOOR

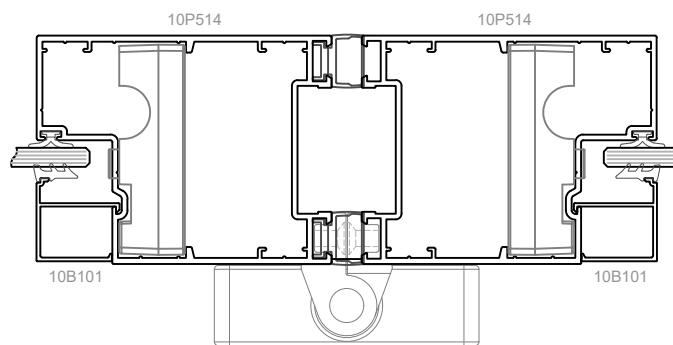


SECTION A-A

BOTTOM ROLLING BI-FOLD DOOR

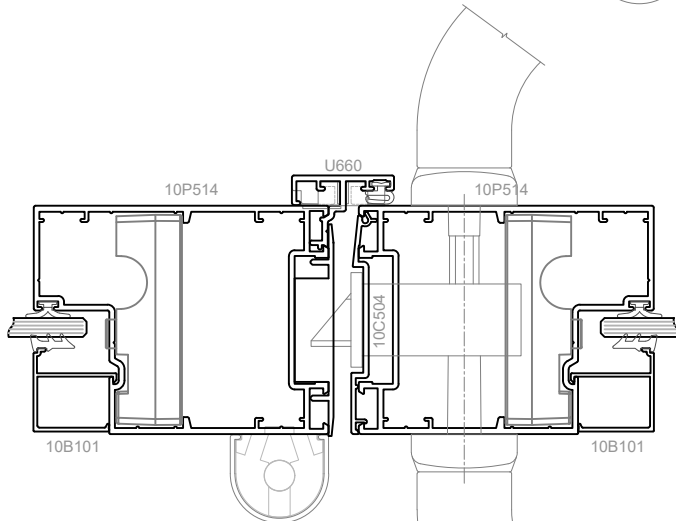
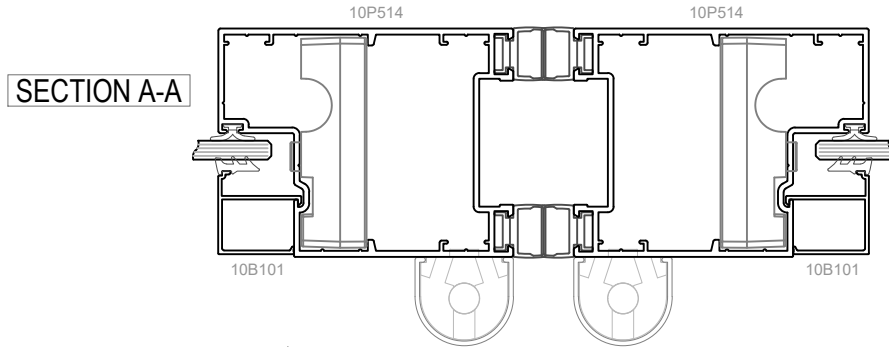
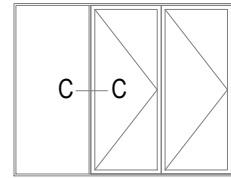
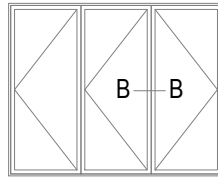
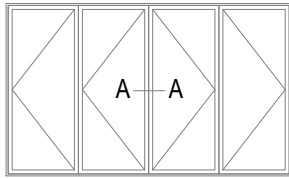


SECTION C-C

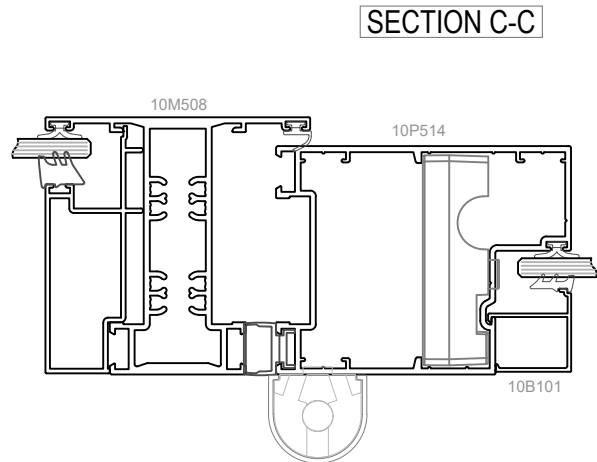


SECTION D-D

BOTTOM ROLLING BI-FOLD DOOR

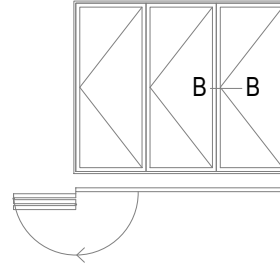
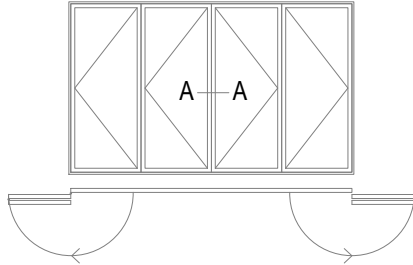


SECTION B-B

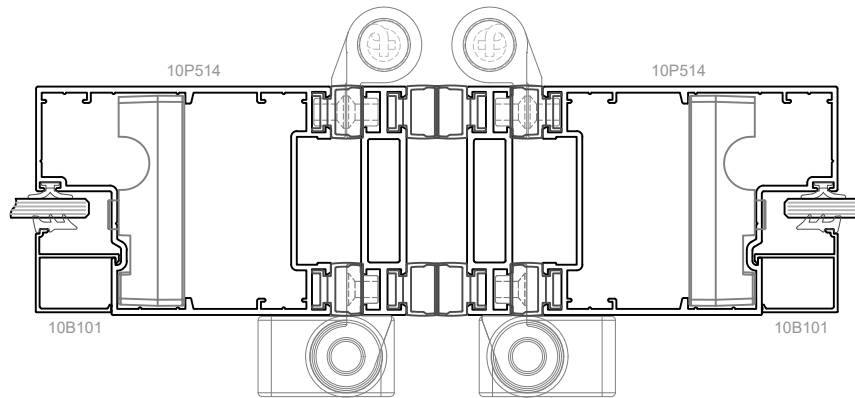


SECTION C-C

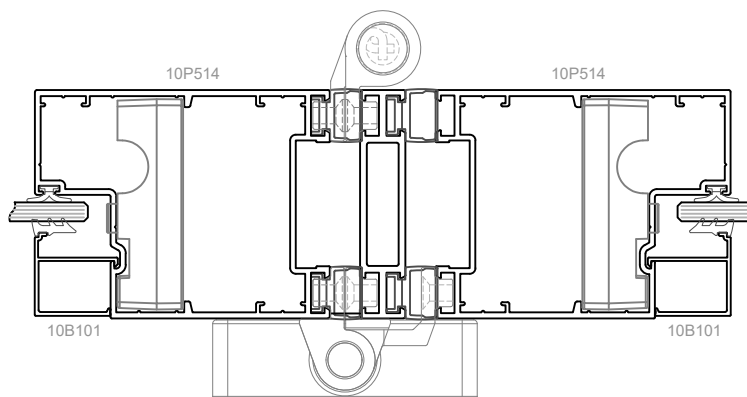
BOTTOM ROLLING BI-FOLD DOOR



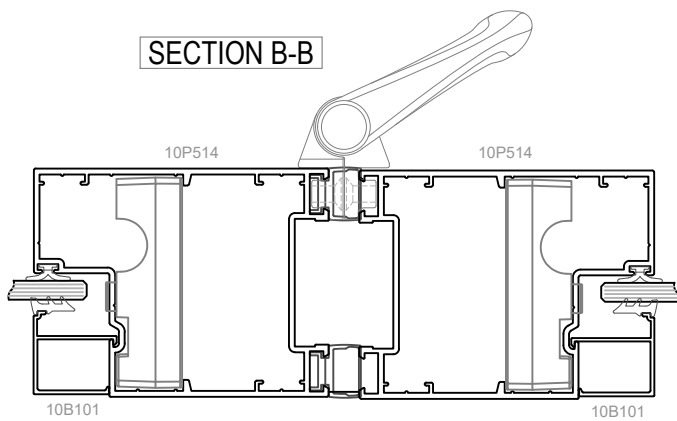
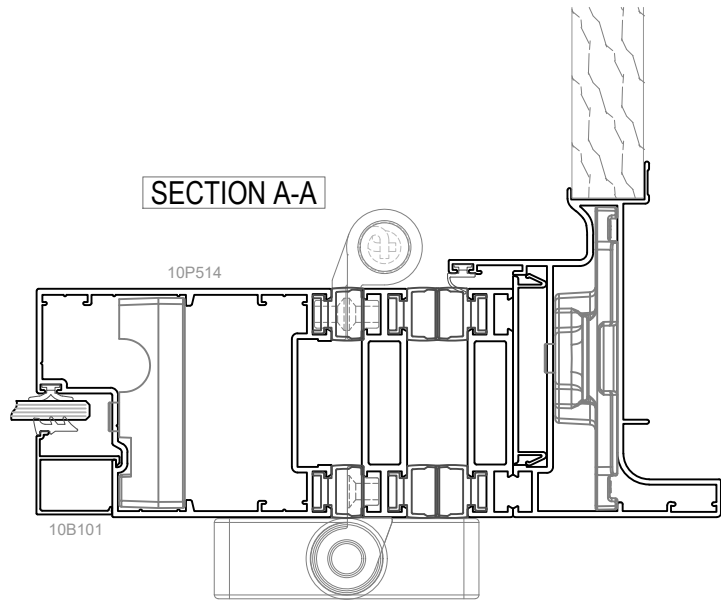
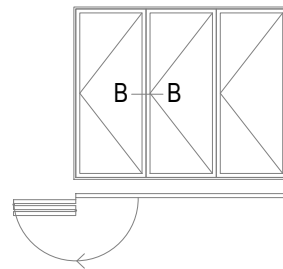
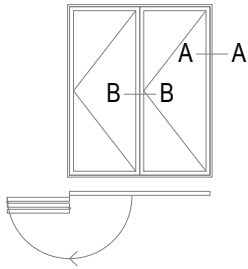
SECTION A-A



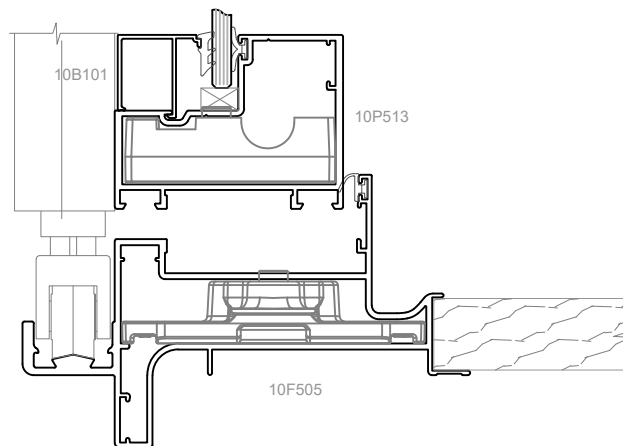
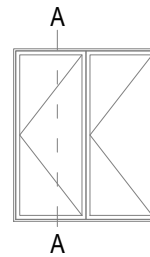
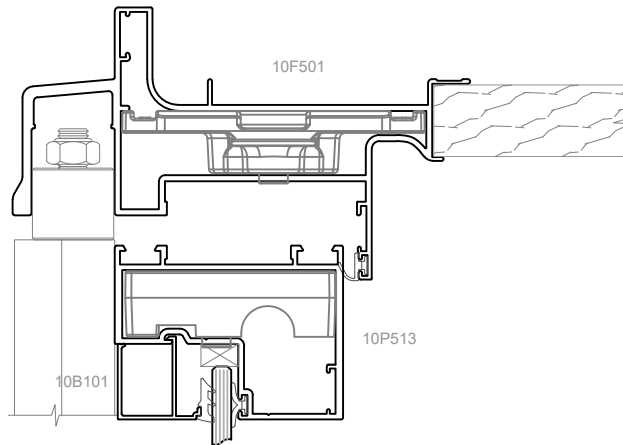
SECTION B-B



BOTTOM ROLLING BI-FOLD DOOR - FREEFOLD

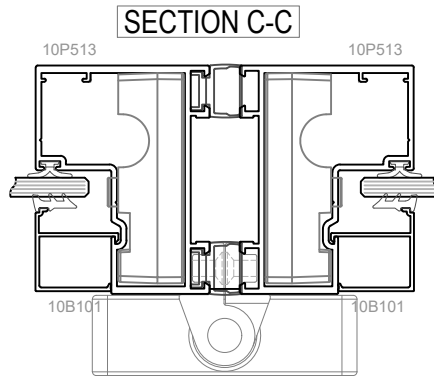
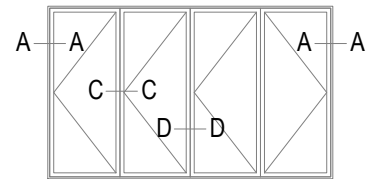
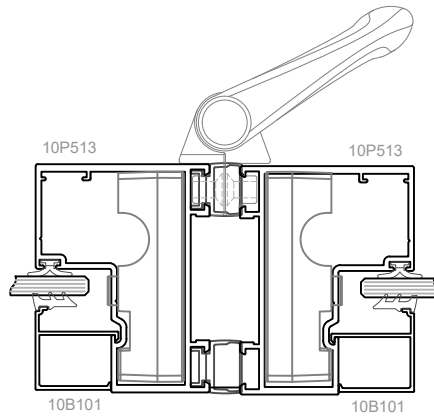
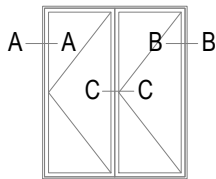
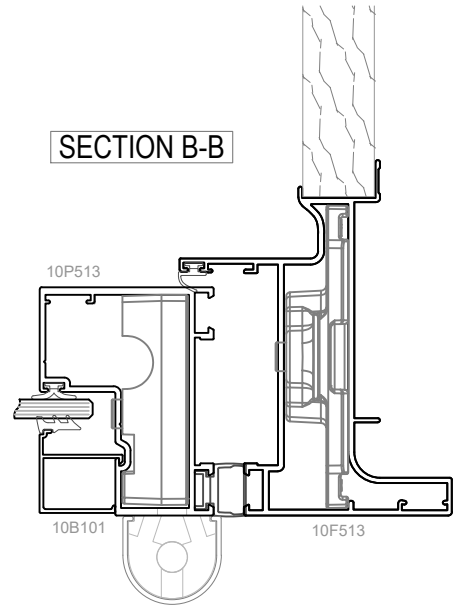
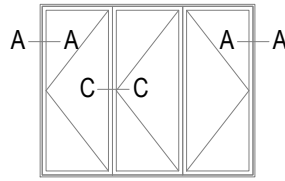
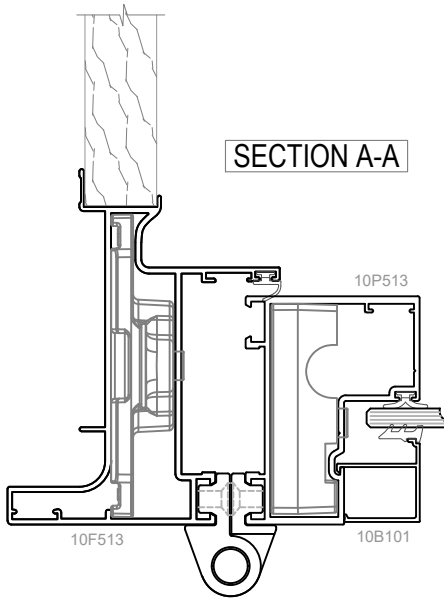


BOTTOM ROLLING BI-FOLD DOOR - FREEFOLD

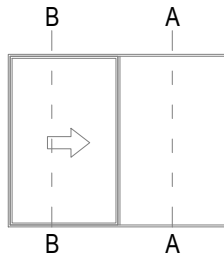


SECTION A-A

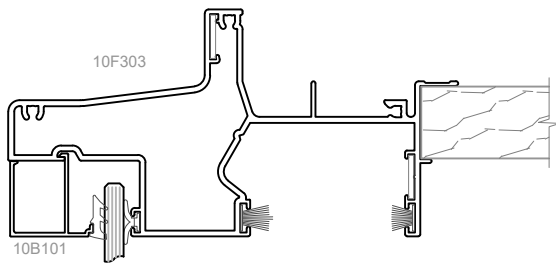
BI-FOLD WINDOW



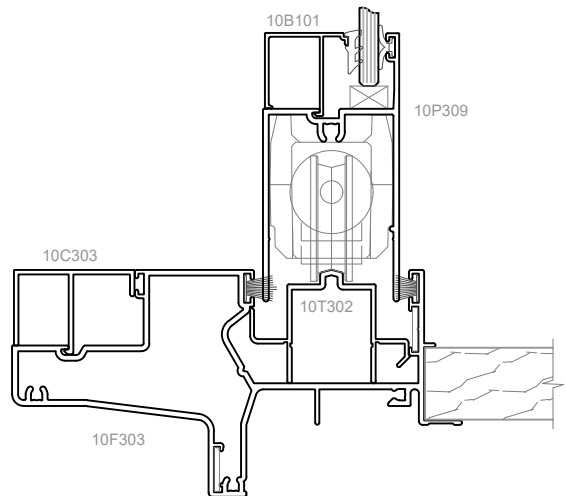
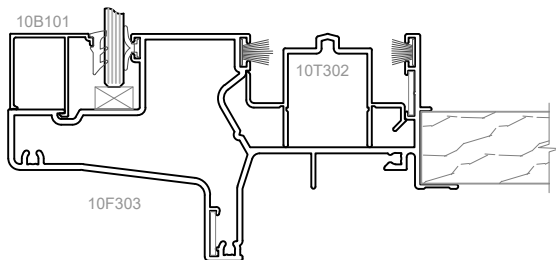
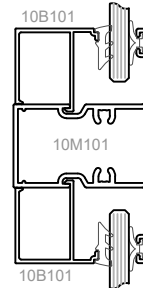
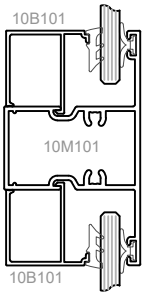
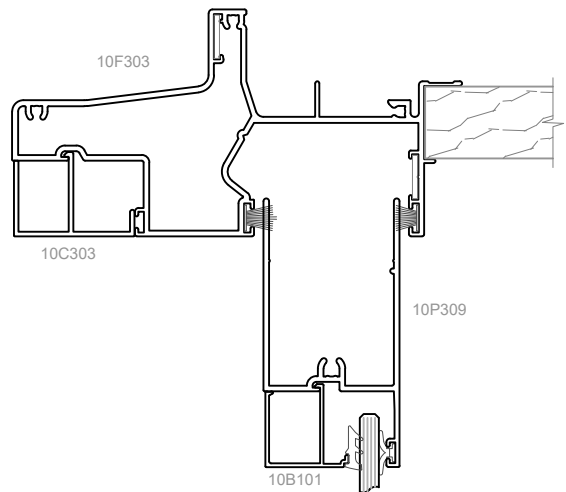
BI-FOLD WINDOW



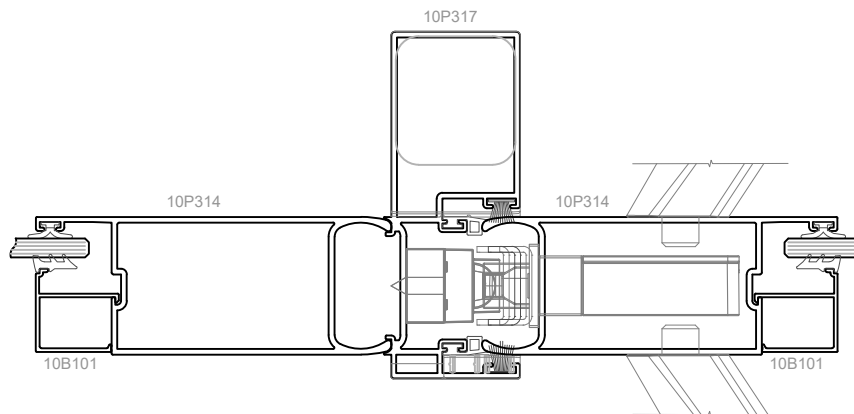
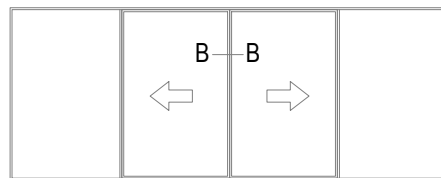
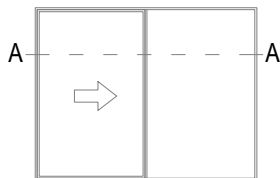
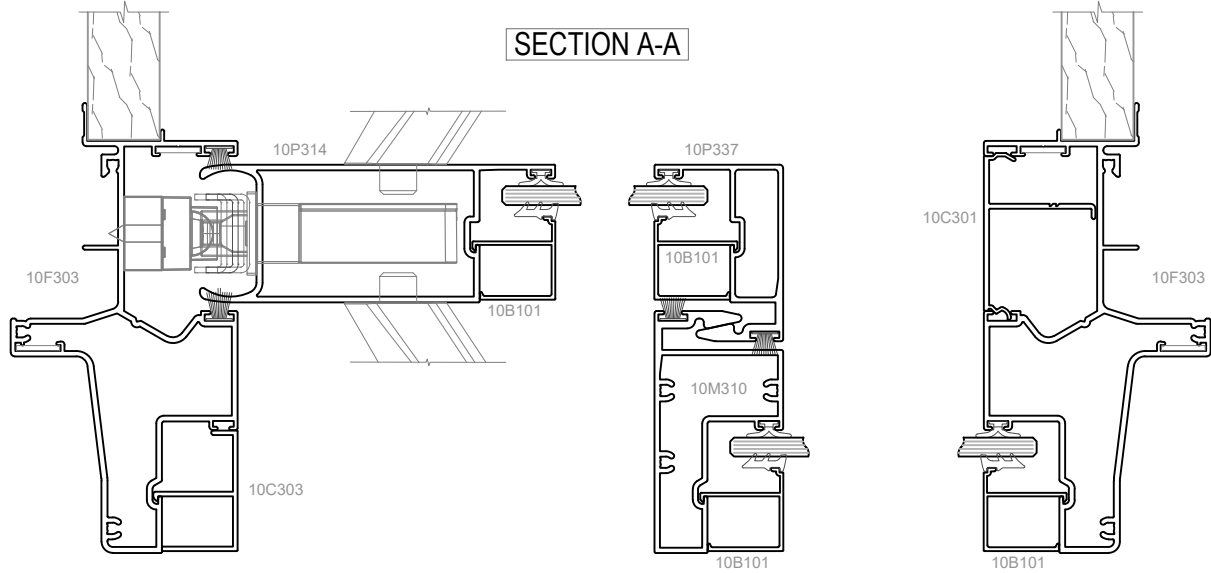
SECTION A-A



SECTION B-B

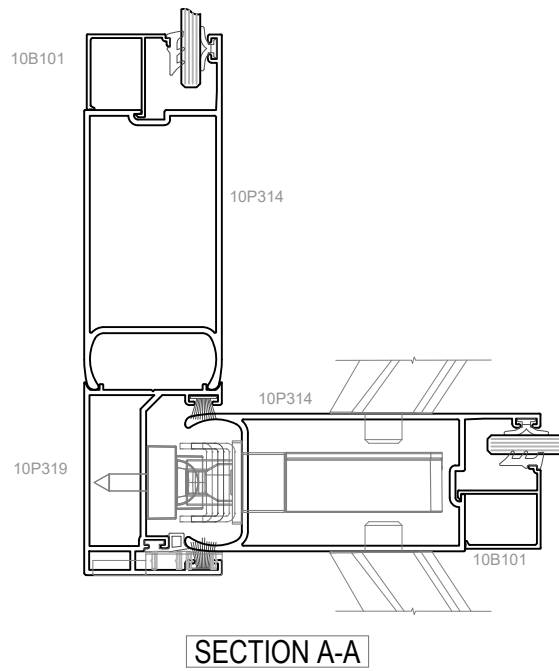
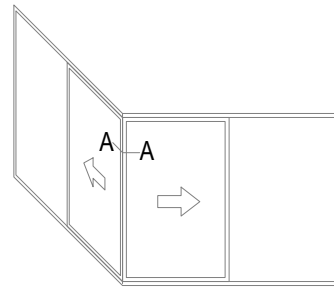


SLIDING DOOR

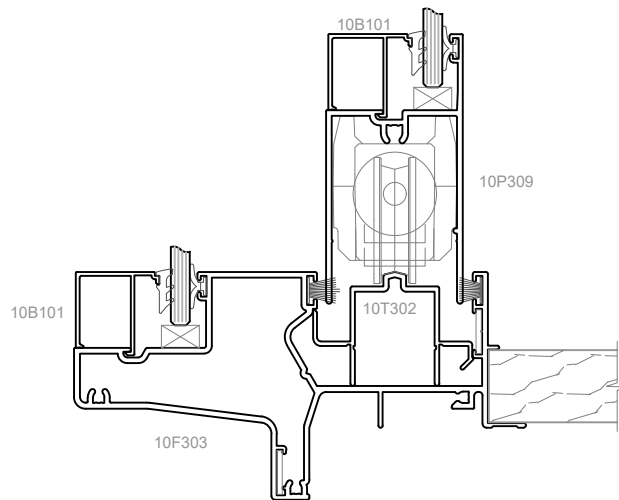
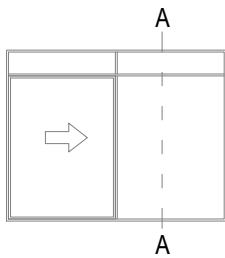
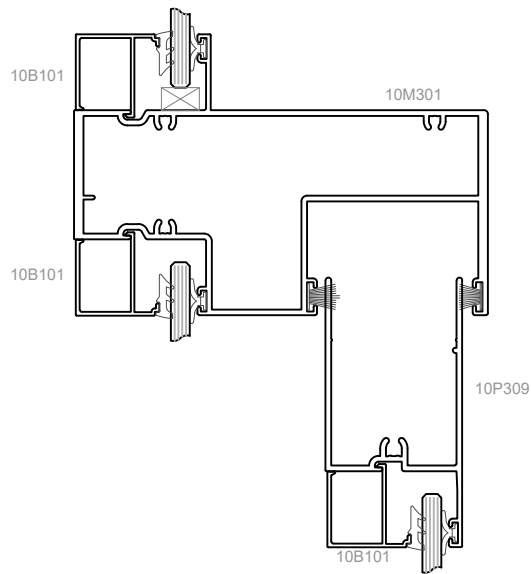
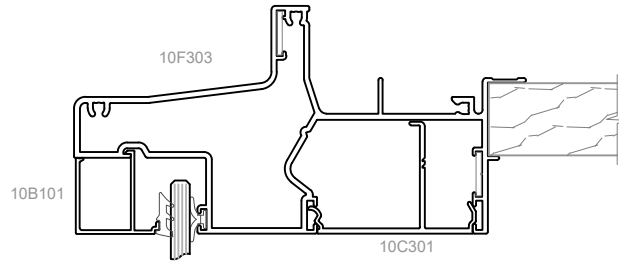


SECTION B-B

SLIDING DOOR

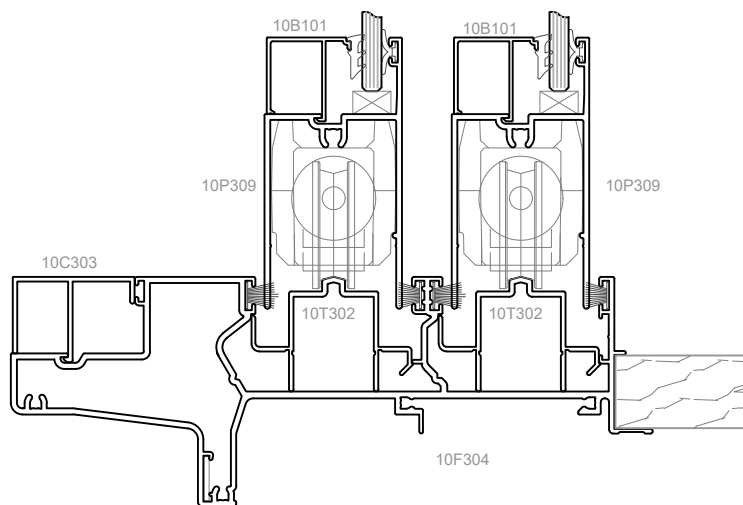
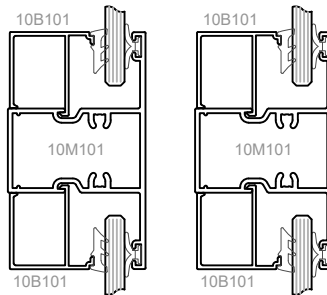
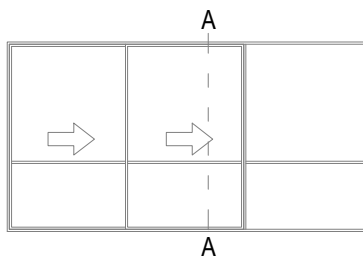
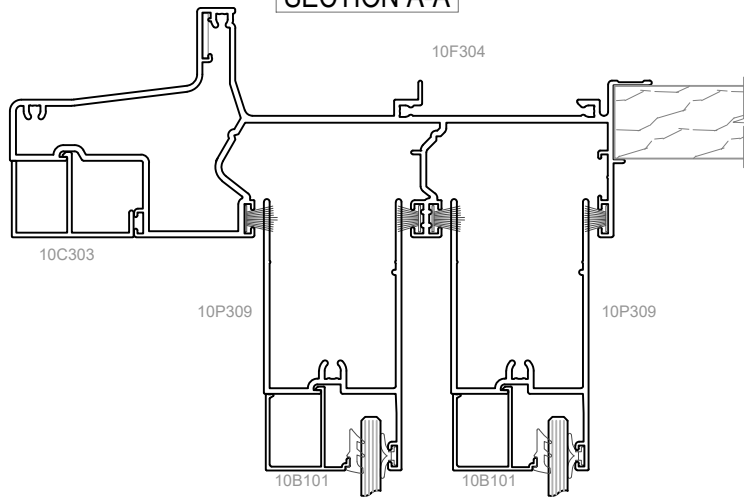


SLIDING DOOR

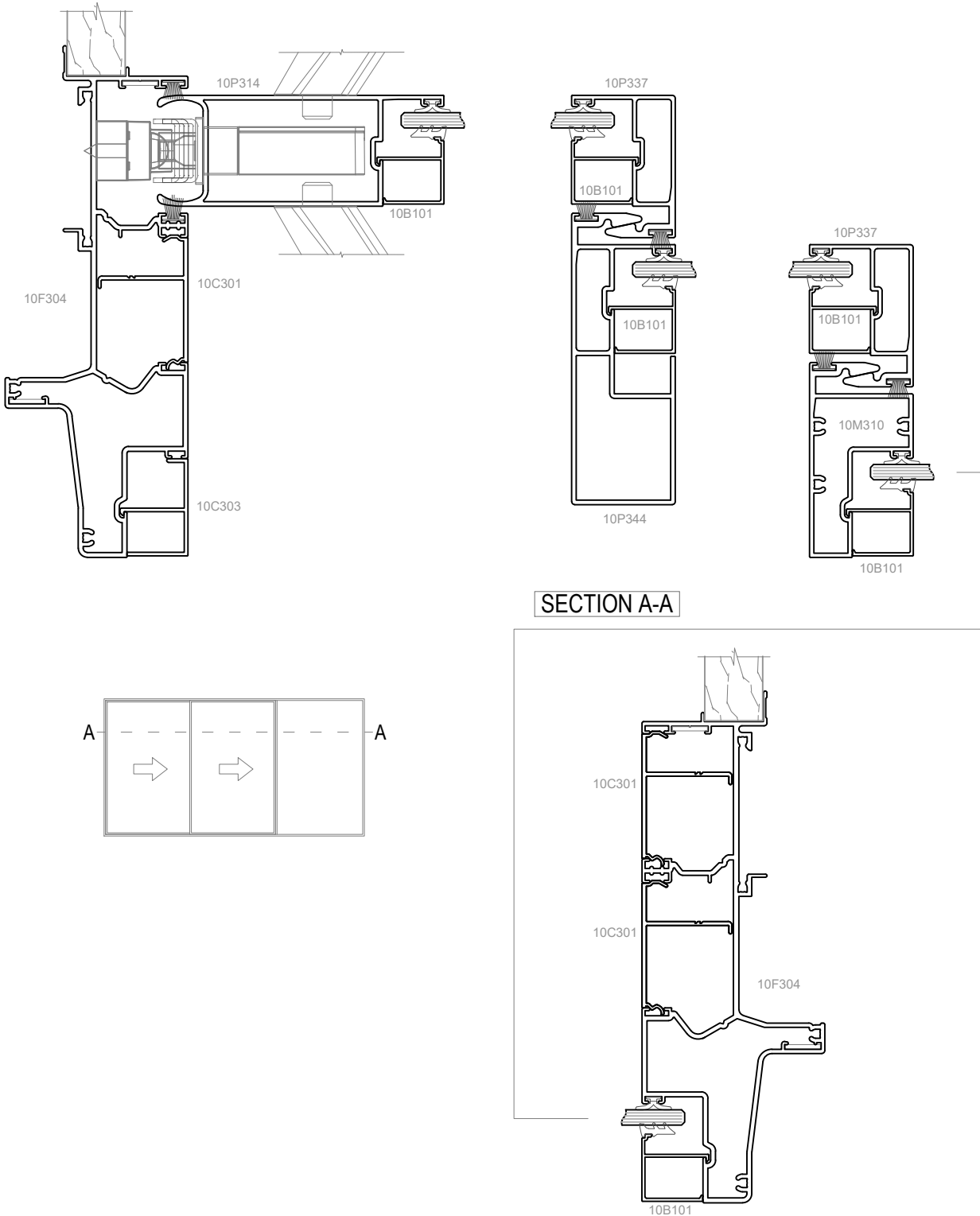


SECTION A-A
SLIDING DOOR

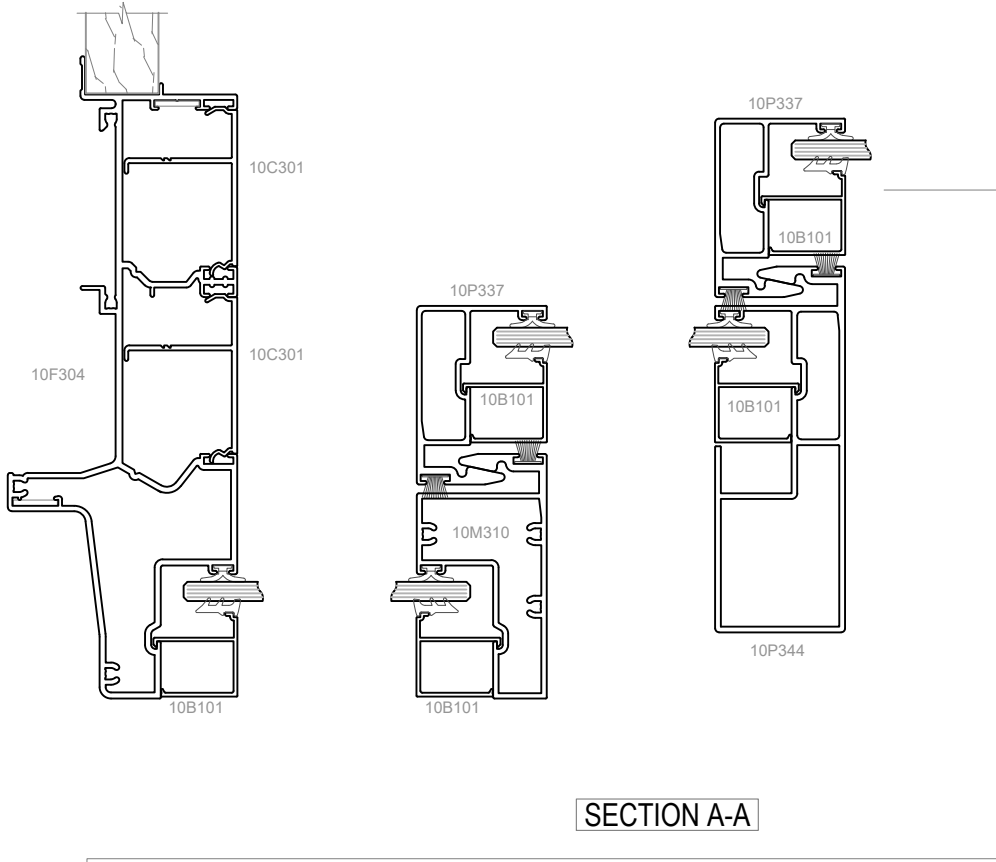
SECTION A-A



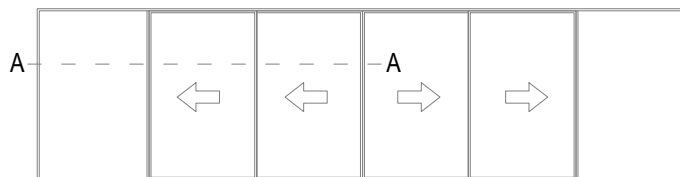
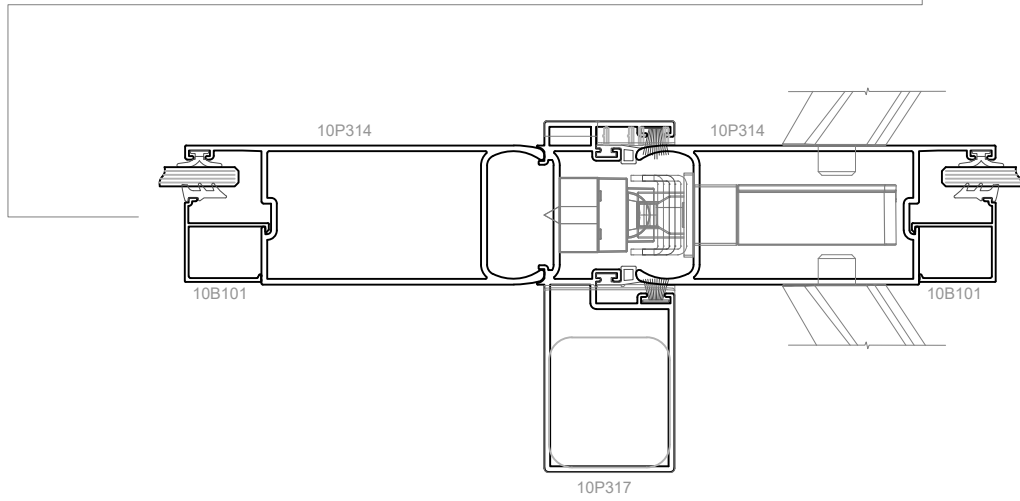
STACKING DOOR



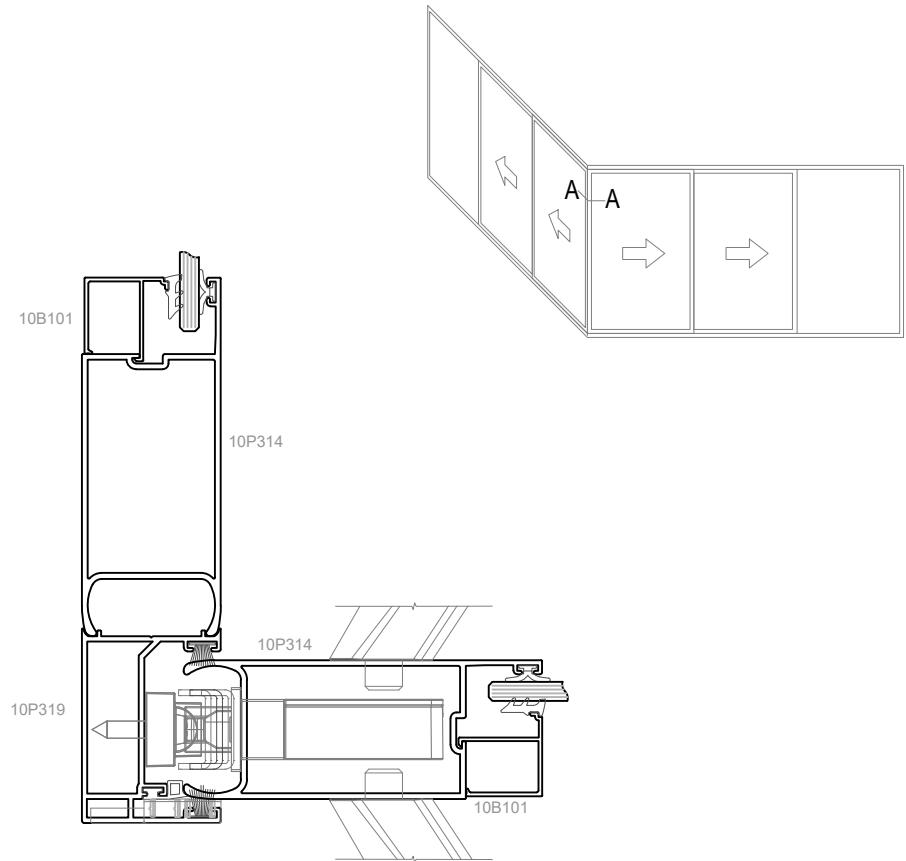
STACKING DOOR



SECTION A-A

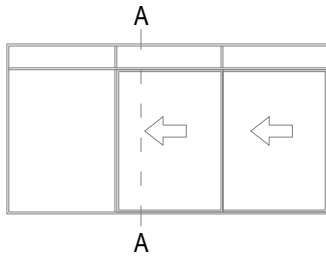
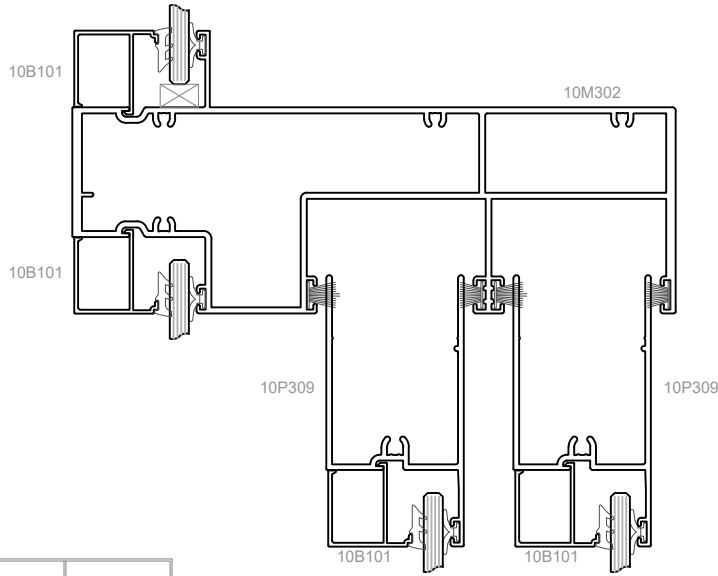
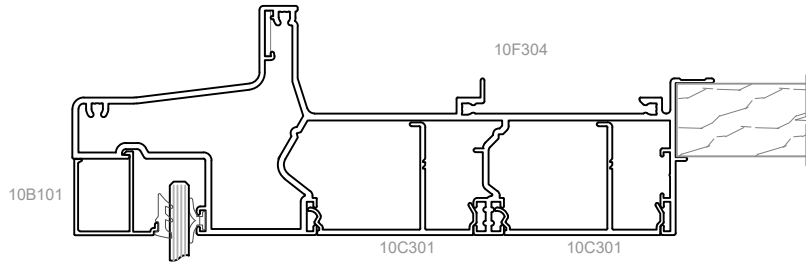


STACKING DOOR

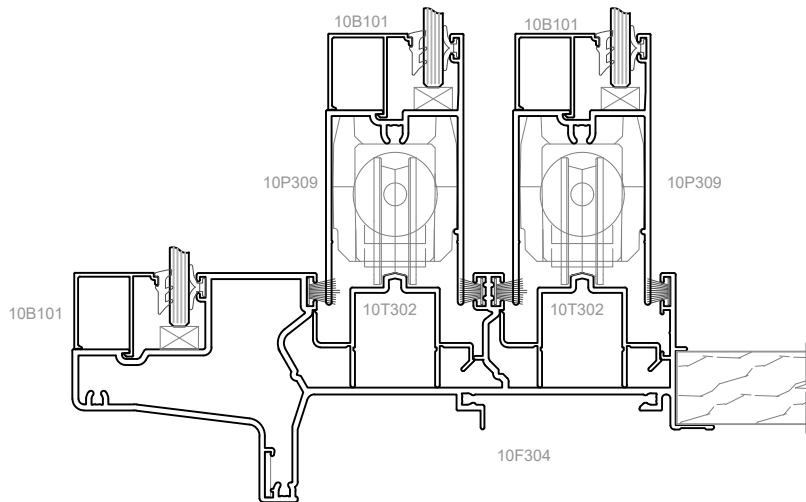


SECTION A-A

STACKING DOOR



SECTION A-A



STACKING DOOR