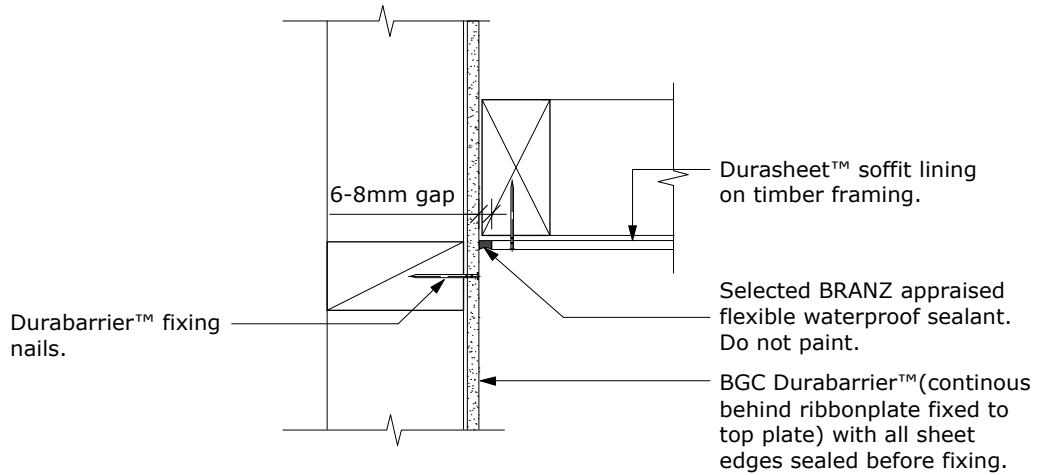
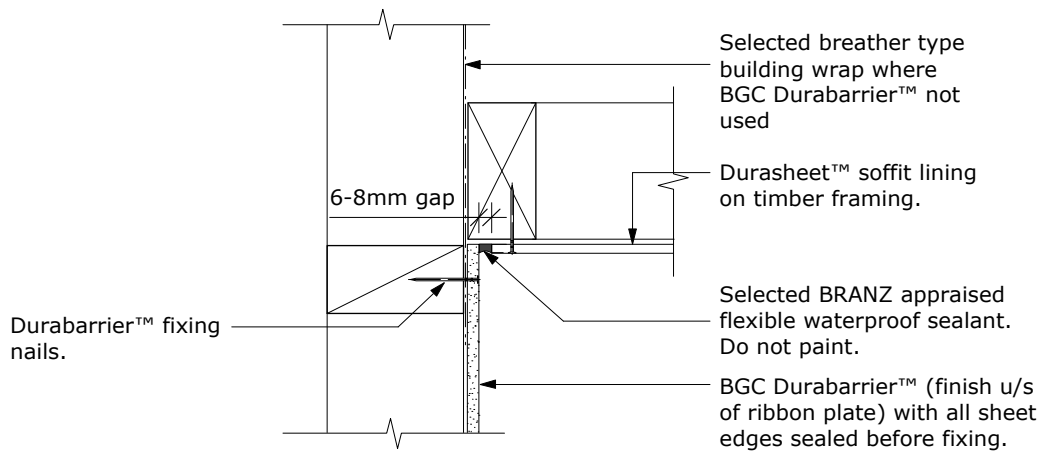


BGC

Fibre Cement



For Bracing



Non Bracing

PROFILE **BGC Durabarrier™**

DATE **May 2011**

DETAIL **Soffit Junction Detail**

SCALE **1:5 @ A4**

DETAIL NO. **DB 05**