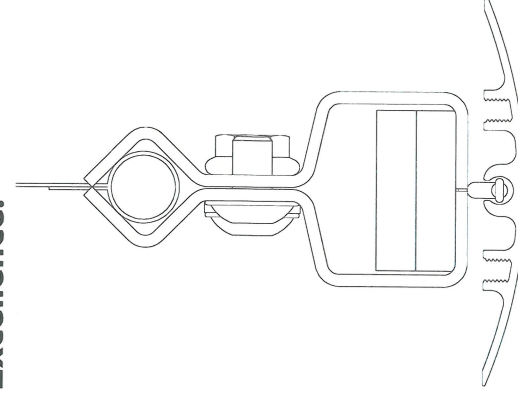


Comprising:

- ▶ Profile bent on the front (with \varnothing 5.0mm holes), standard length 1495mm
- ▶ Profile bent on the back (with M5thread), standard length 1495mm
- ▶ Round steel \varnothing 8mm, standard length 1790mm + 1500mm
- ▶ Additional weights 5 x 20mm, standard length 1790mm + 3000mm
- ▶ SU-25 glider
- ▶ Sealing profile, stand type length 3000 mm - 6000 mm
- ▶ Spring clip every 600 mm

To ensure a reliable operation and so as to stabilise the cloth, it is necessary to add some additional weights to the bottom bar.

The number and type are to be provided by the Centre of Excellence.

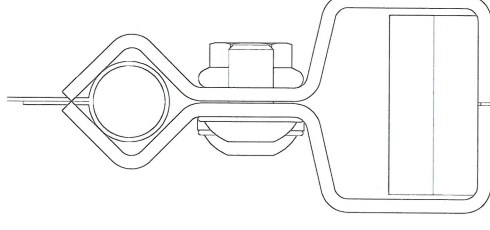


Comprising:

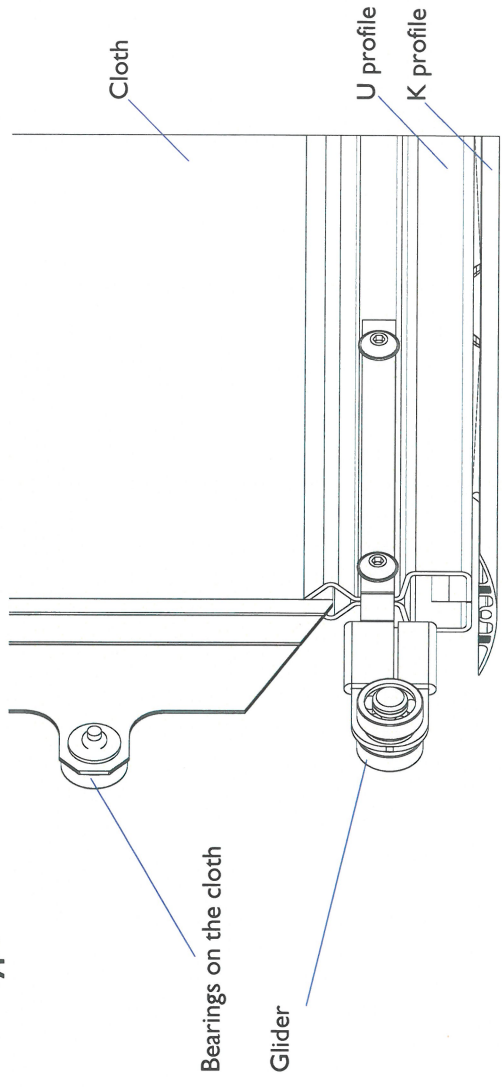
- ▶ Profile bent on the front (with \varnothing 5.0mm holes), standard length 1495mm
- ▶ Profile bent on the back (with thread M5), standard length 1495mm
- ▶ Round steel \varnothing 8mm, standard length 1790mm + 1500mm
- ▶ Additional weights 5 x 20mm, standard length 1790mm + 3000mm
- ▶ SU-25 glider

To ensure a reliable operation and so as to stabilise the cloth, it is necessary to add some additional weights to the bottom bar.

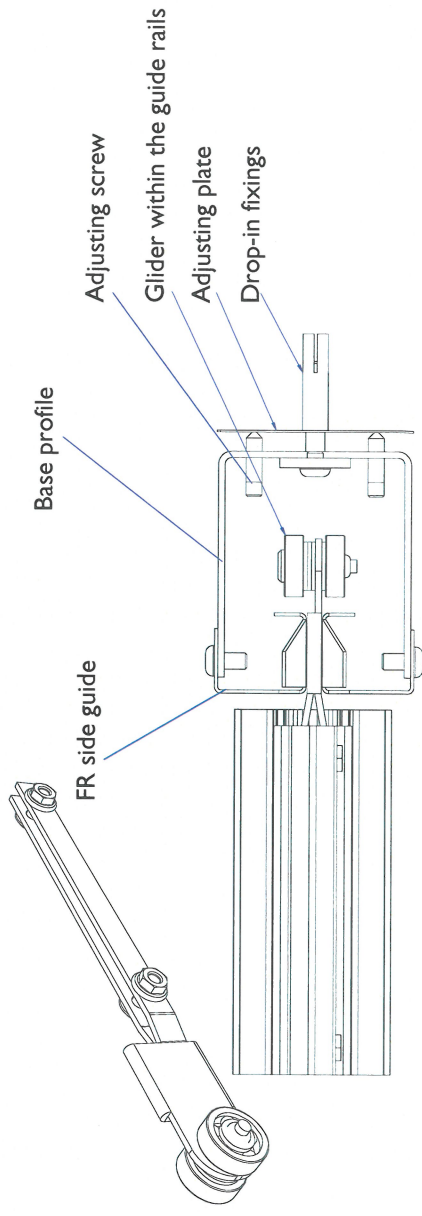
The number and type are to be provided by the Centre of Excellence.



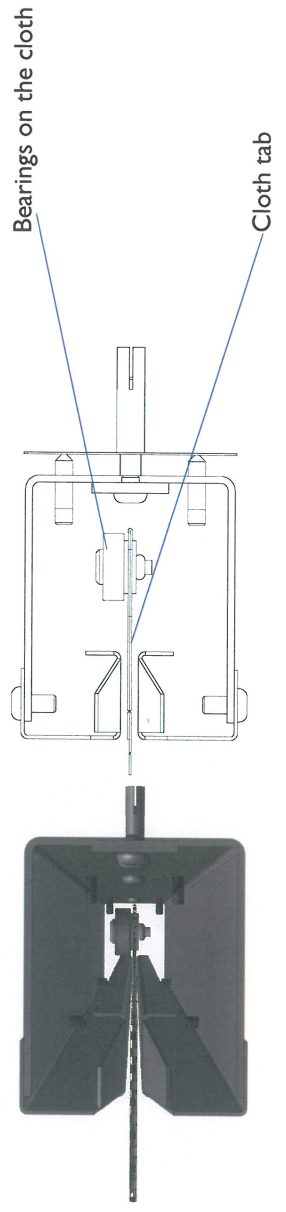
Cloth type



Glider



Bearings on the cloth



Different type of fixings

There are three different types of fixing arrangements:

- ▶ Type 1 is for fixing **into** an opening in the wall
- ▶ Type 2 is for fixing in front of an opening in the wall
- ▶ Type 3 is for fixing **within** a recess

The installation of FR + FS guide rails onto the building structure must be done with approved fasteners. Areas prone to leakage must be sealed with A2 - rated materials.

For the fastening of guides profiles, two variants of screws are supplied (round head screw and hex bolt).

