

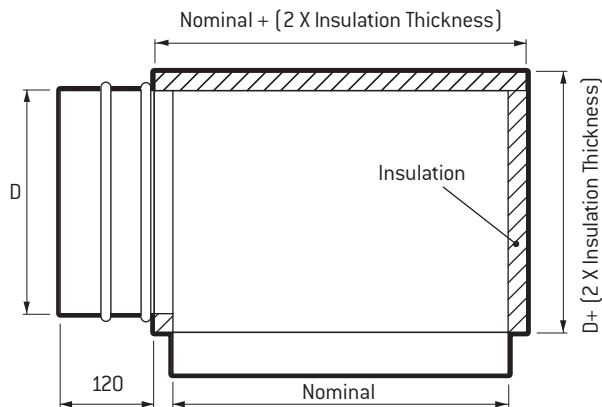
ACCESSORIES – Cushion Head/Duct Tape

Model: CH – Cushion Head

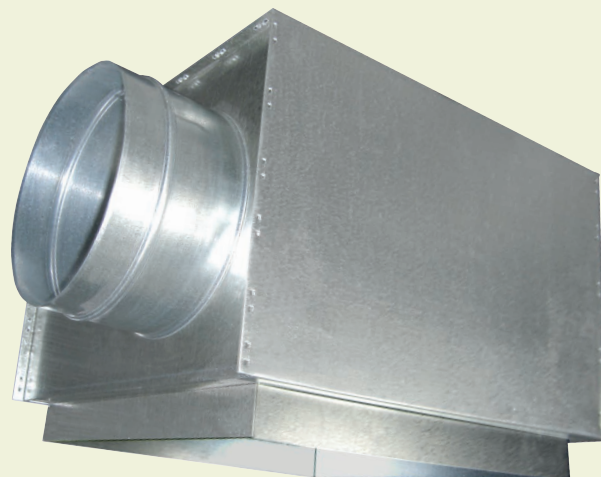
Adapts square neck diffusers and return grilles to a side entry round flexible, semi rigid, or rigid duct. Can be supplied plain or with a black polyester insulation.

Material: 0.55 Galvanised Steel

Insulation Options: 14, 25 or 50 mm



Cushion Head Box

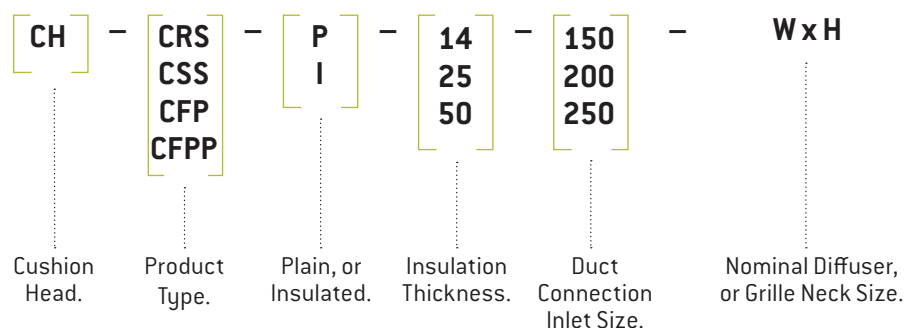


Guide Product Weights

Approximate Weight in Kg.

Size	Inc 25 mm Insulation	Size	Inc 25 mm Insulation
CRS 300	4.00	225 SQ CH	2.50
CRS 450	6.50	300 SQ CH	4.00
CSS 450	6.50	375 SQ CH	5.00
CSS 600	6.50	450 SQ CH	6.50
595 SQ T Rail	6.50	595 SQ CH	6.50
CSSR Plenum 615 Diameter			3.20

Ordering Code Examples and Suggested Specification



Holyoake Cushion Head boxes shall be constructed from galvanised steel and be complete with suitably sized galvanised steel connection spigots and accessories, as appropriate. Optional black polyester insulation, 14, 25, or 50 mm thick can be incorporated.

All as manufactured by Holyoake.

Note: Refer to page 386K for Premi-aire Cushion Heads boxes.

Model: DUCT TAPE

A Premium Grade Polyethylene coated cloth duct tape with a high tack rubber adhesive system.

Colour: Silver

Width: 48 mm

Roll Length: 55 m

Features:

- Conforms easily to difficult shapes.
- Strong permanent bond.
- High Tensile (and tearing) strength.
- Will not curl.

Duct Tape is primarily intended for sealing H.V.A.C. duct joints* and for wrapping insulated pipes as a vapour barrier and as protection against impact and other damage. It is also used in packaging where a strong moisture barrier is required.

Available as single, or multiple rolls, or cartons of 24.

Approximate weight 0.91 Kg per roll, 24 Kg per box.

*** You should also use duct ties or a mechanical fixing as per AS 4254.1 - 2012 (refer to pages 357J, 360J and 385K).**

