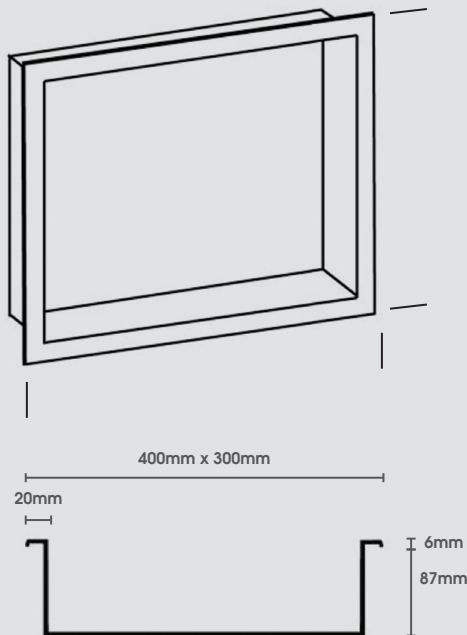


SAVE SPACE IN YOUR EXISTING SHOWER WITH A NON-TILED RECESSED NICHE AVAILABLE IN WHITE FINISH.

RETRO-FIT NICHE

RECESS SIZE (mm)	CODE
400 x 300	EN400RF



SPECIFICATION

- One-piece lightweight construction made from rigid GRP composite.
- Gloss gel coat surface available in white finish only.
- Available in one size 400mm x 300mm.
- Designed to be installed to existing shower, tiles, acrylic liner or laminates.
- Protrudes 6mm from wall surface finish.
- Can be installed horizontally or vertically.
- Built in gradient prevents water ponding.
- Supplied with installation materials.
- 7-year warranty.

INSTALLATION STEPS:



Overview only. See installation instructions for correct method.