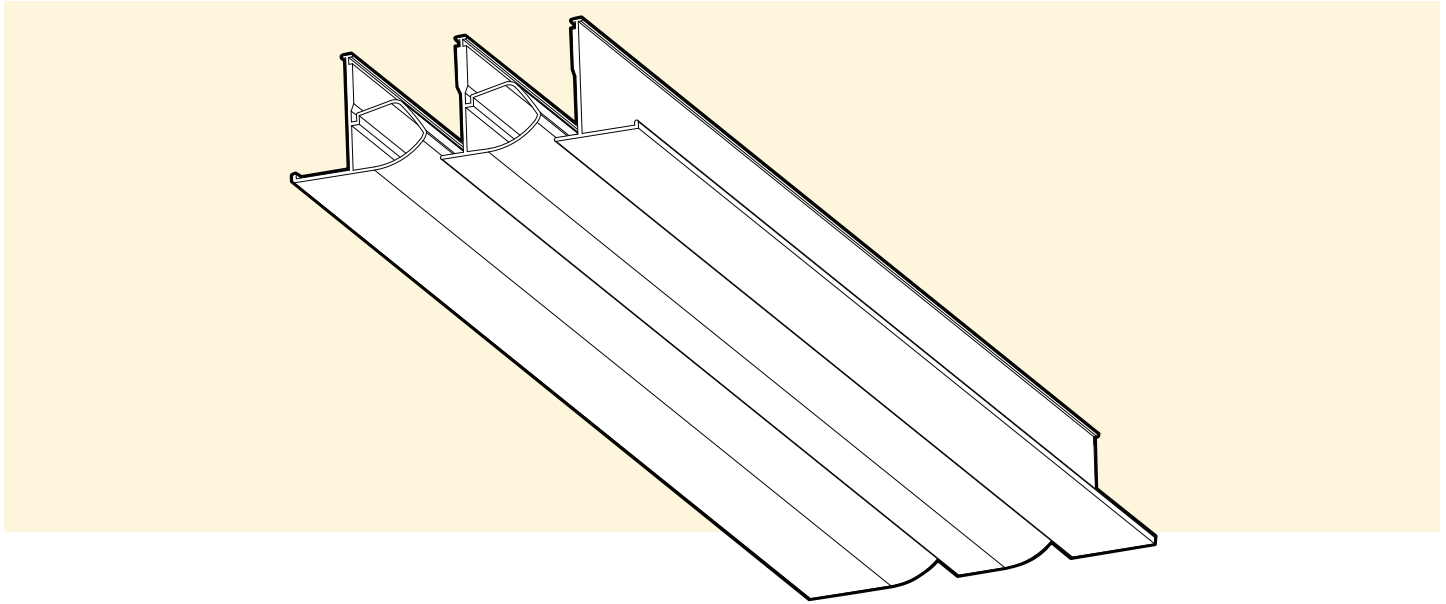


# CSDF – Fixed Pattern Slot

Model: **CSDF – Factory Fixed Pattern Slot**



## CSDF – Fixed Pattern Slot Diffuser

The Holyoake CSDF Fixed Pattern Slot Diffuser is designed with the factory set pattern blades and frame, to provide an aesthetically pleasing design to suit contemporary building interiors, whilst providing unobtrusive, draft less air distribution over a wide range of airflows.

The Unique diffuser construction provides excellent ceiling effect, particularly suitable to variable volume applications where horizontal throws are required.

A range of handing options are available to suit various throw requirements.

### Construction

Extruded aluminium continuous or discrete length linear slot diffusers. Utilising standard CSD 19, or 25 construction components and optional mounting frame in conjunction with a specifically designed Factory Set fixed pattern profile extrusion.

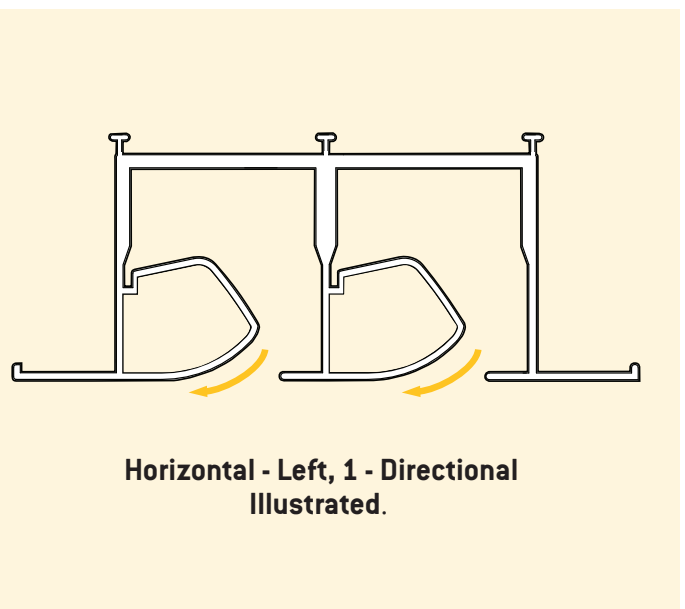
### Features

- Excellent aesthetics, with specifically designed profile.
- Bi-directional (can be factory assembled for left and/or right hand throws).
- Incorporates standard CSD construction components and mounting frame configuration.
- Mitred corners if required.
- Square ends only.
- Single, or Multi Slot.



**CSDF – Fixed Pattern**

Guide Product Weights	
Model	Approximate Weight in Kg per metre
CSDF 25 2 Slot	2.5



**Horizontal - Left, 1 - Directional Illustrated.**

### Notes

1. Only available as CSD 19 or 25.
2. Use CSD Horizontal Performance Data.
3. Refer to your local Holyoake branch for special site requirements.
4. Seismic restraints required but not supplied.