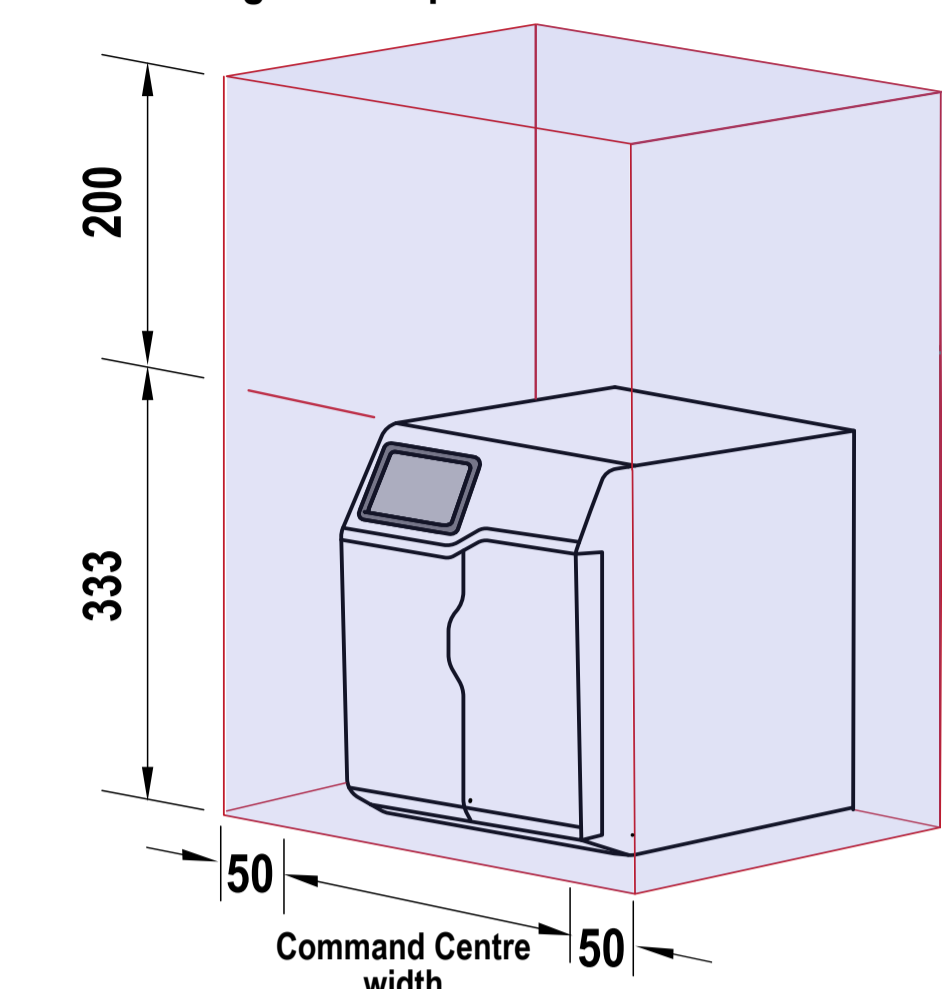


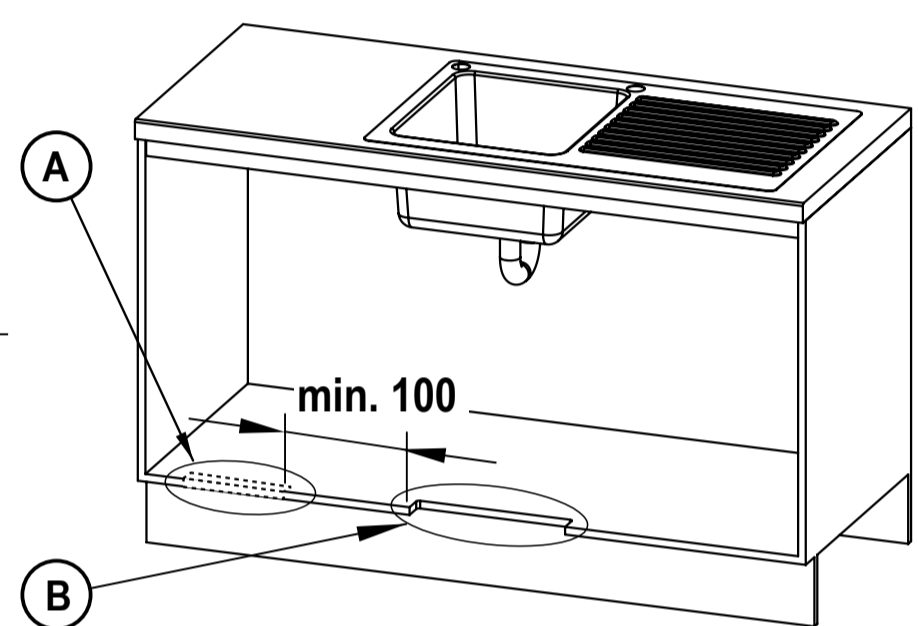
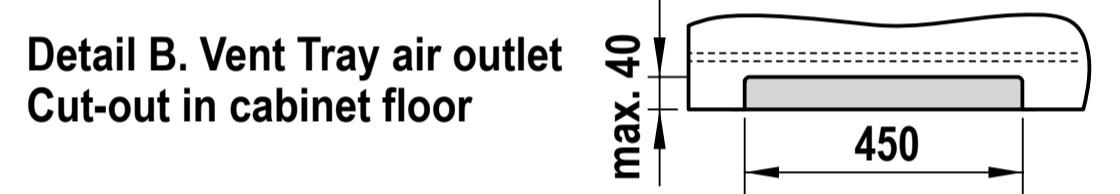
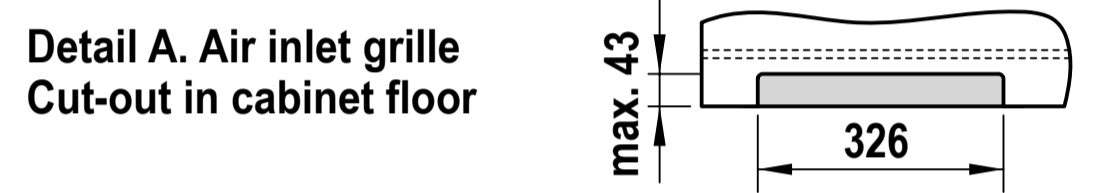
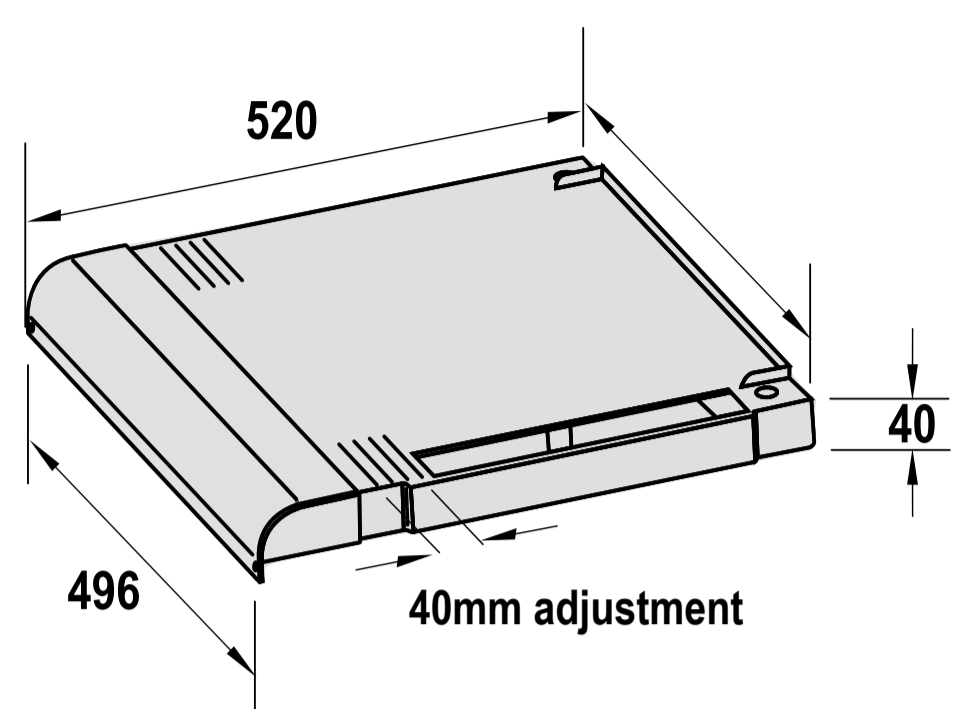
Ventilation requirements Contact your local service provider if ventilation is not suitable

Clearance envelope

Position the Tap and the Command Centre as close together as possible.

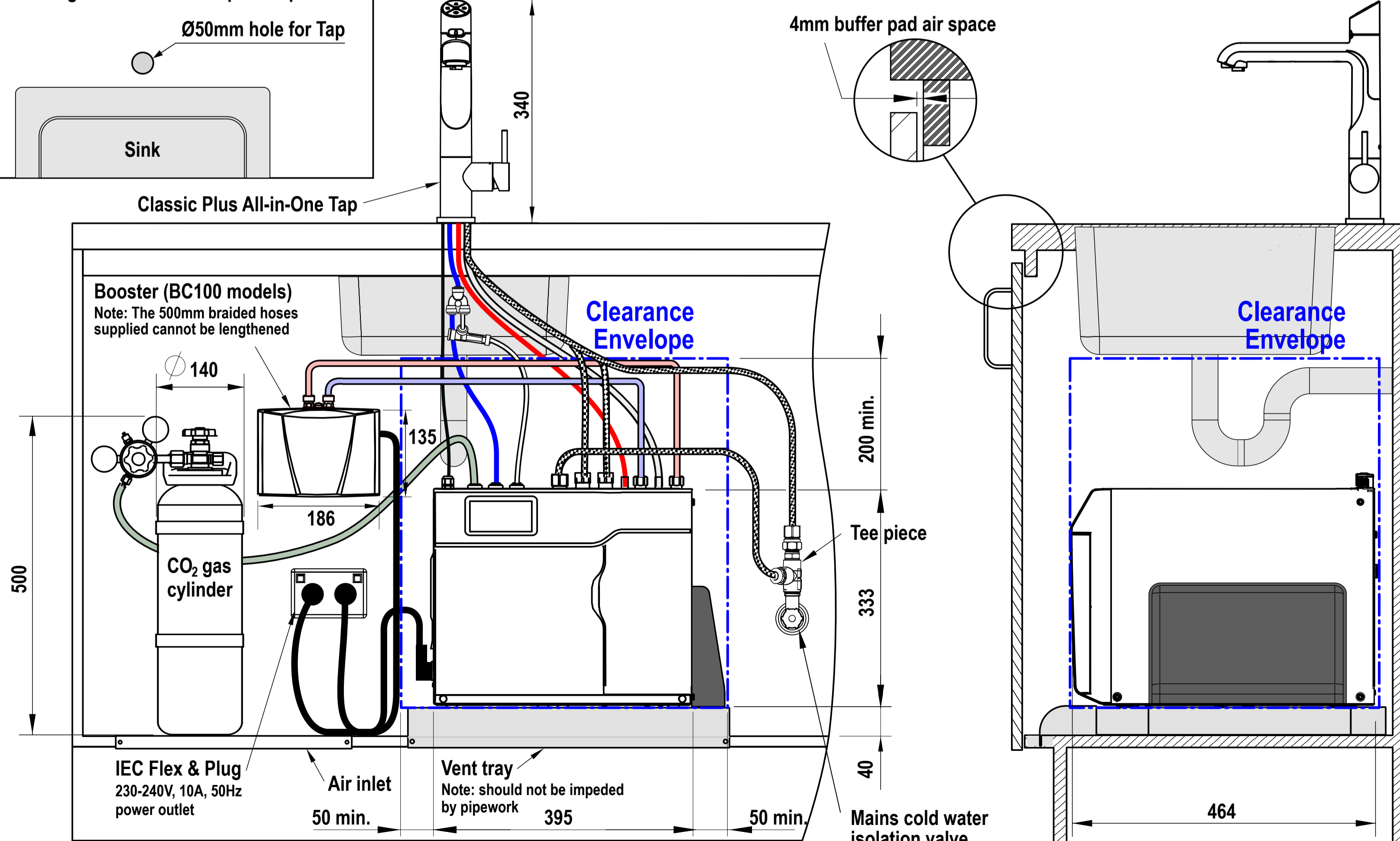
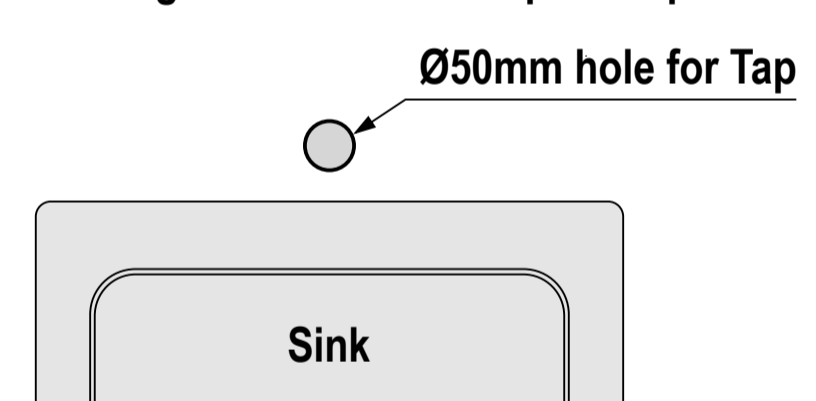


Vent tray (kit no. 93540)



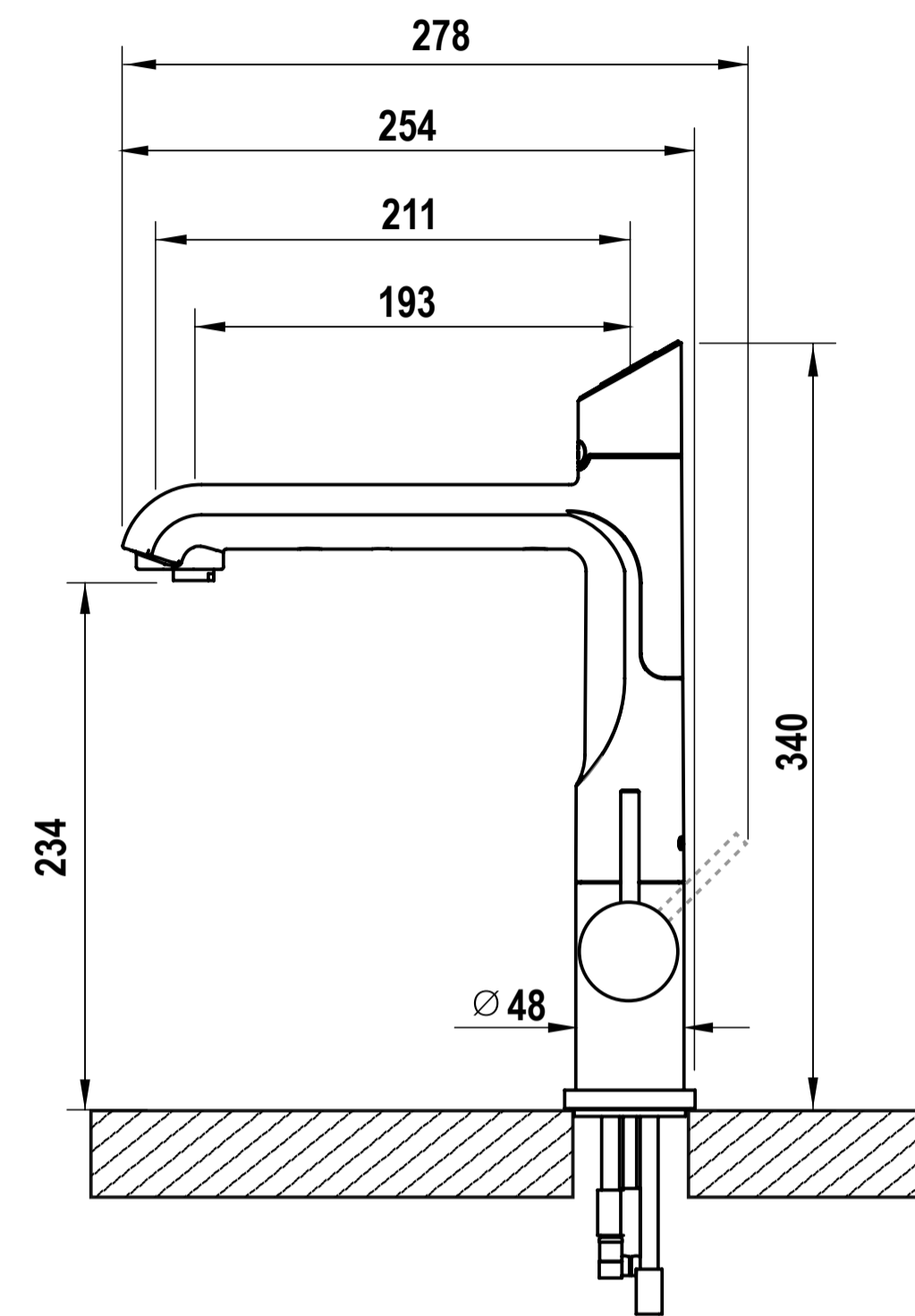
Tap Positioning

Position the Tap to dispense into the sink, allowing clearance for a cup or teapot.

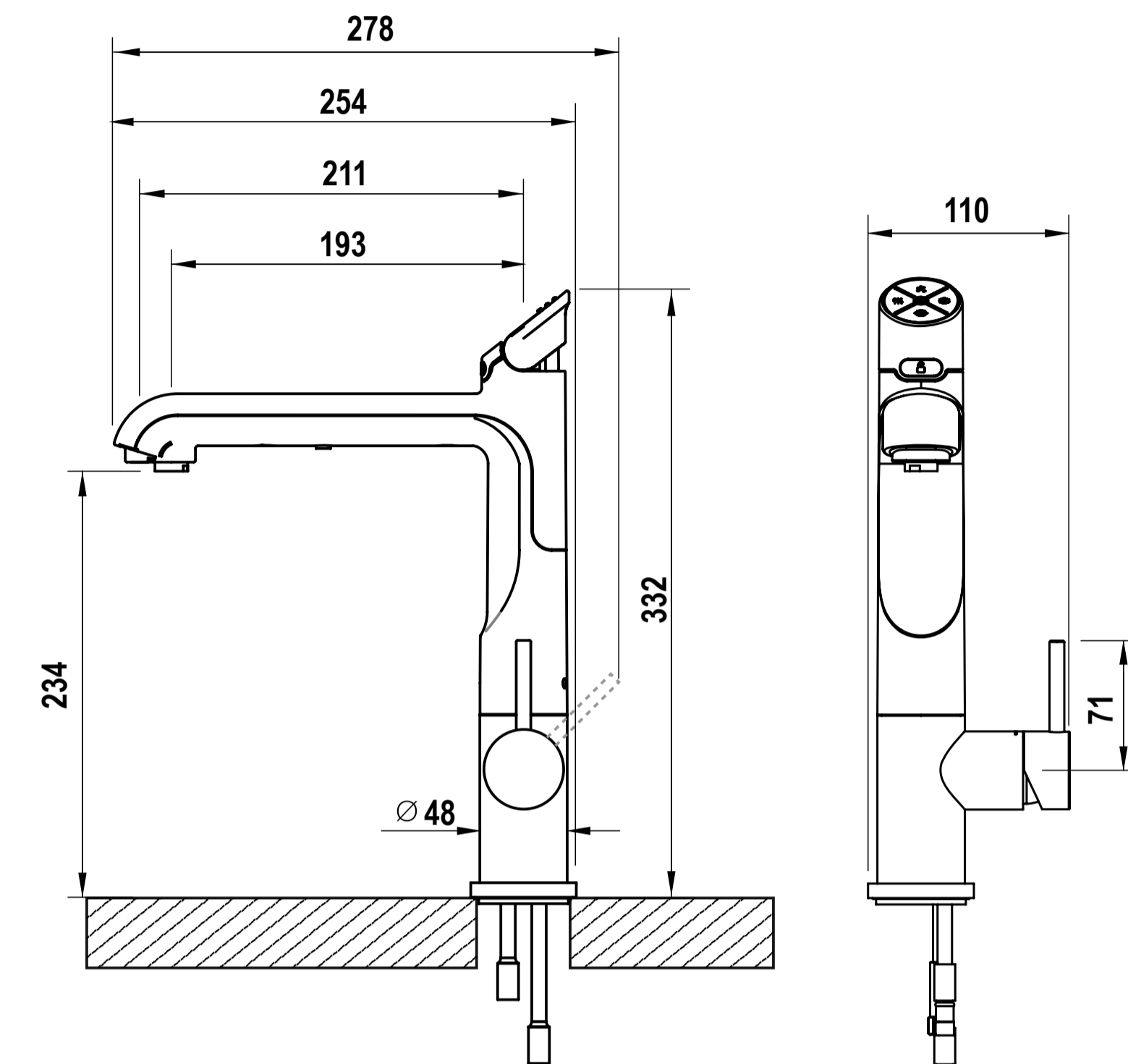


HydroTap Tap options

Classic Plus All-in-One Tap

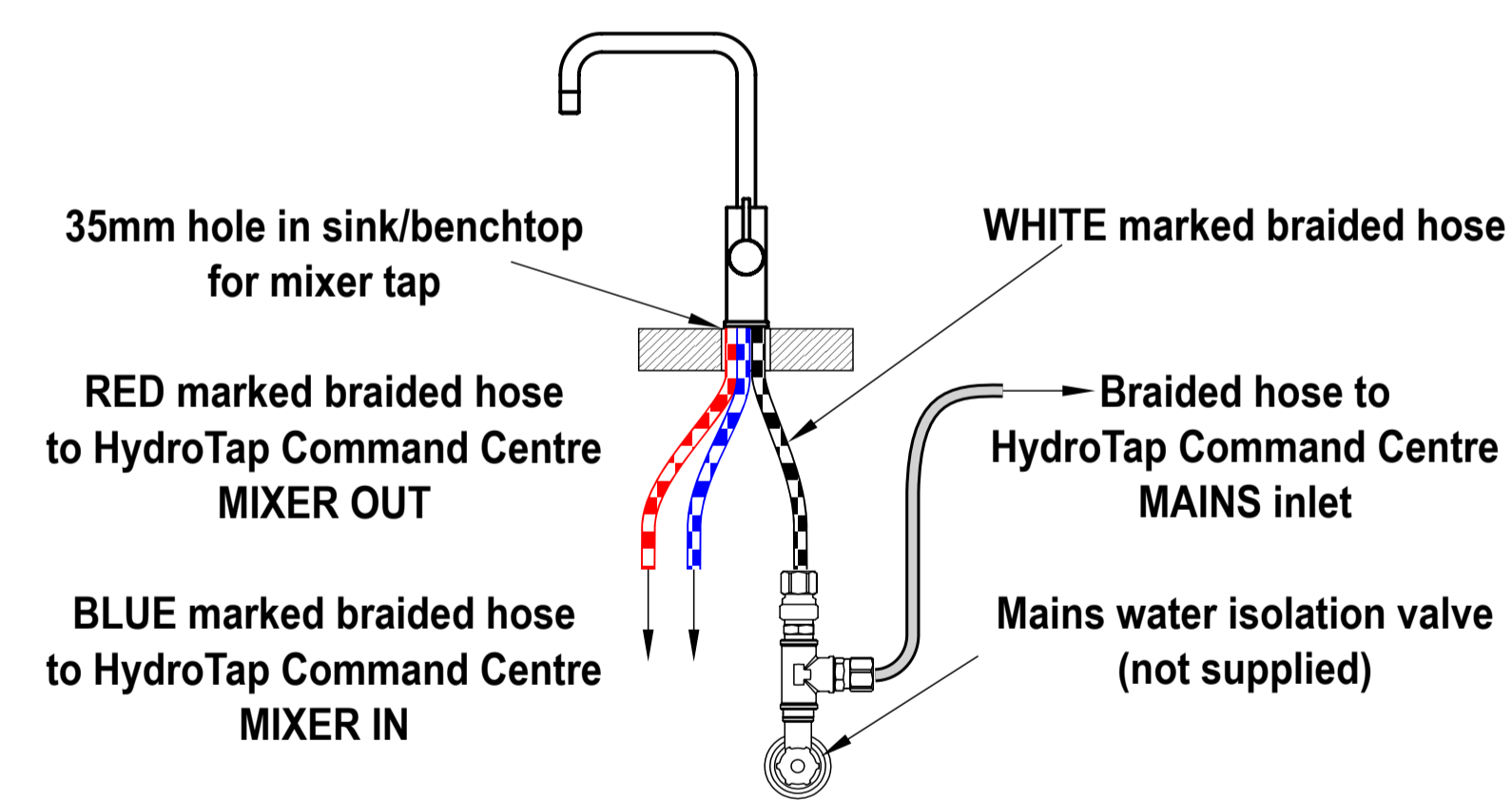


Classic All-in-One Tap



Vented mixer tap installation

Only cold water supply required



HydroTap G5 BCS60 H, BCS100 H

shown with Classic Plus All-in-One Tap (Vented)