

Fixed Point MS w/ Lining

Application

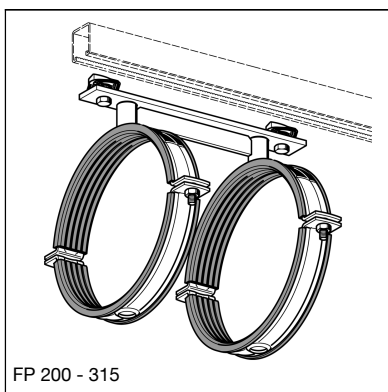
Soundproof Fixed Point construction for secure absorption of high mechanical loads resulting from Siaqua DSS Systems. Especially applicable for fixations according to DIN 4109.

Scope of delivery

Pipe clamp(s) Stabil D-3G with lining and pre-assembled fixed point adaptations, suitable for sizes 40 up to 315. With single thread connection for sizes 40 up to 160 and double thread connection for sizes 200 up to 315.

Installation

The entire fixed point module is put into the channel opening and locks automatically. While positioning the distances, the module is securely guided in the channel opening. Then hexagon bolts are tightened.



Type	W [kg]	Quantity [pack]	Part number
FP 40 MS m.E.	0.45	1	602325
FP 50 MS m.E.	0.47	1	602335
FP 56 MS m.E.	0.48	1	602345
FP 63 MS m.E.	0.49	1	602355
FP 75 MS m.E.	0.58	1	602365
FP 90 MS m.E.	0.60	1	602375
FP 110 MS m.E.	0.66	1	602385
FP 125 MS m.E.	0.69	1	602395
FP 160 MS m.E.	1.21	1	602405
FP 200 MS m.E.	3.93	1	602415
FP 250 MS m.E.	4.39	1	602425
FP 315 MS m.E.	5.00	1	602435