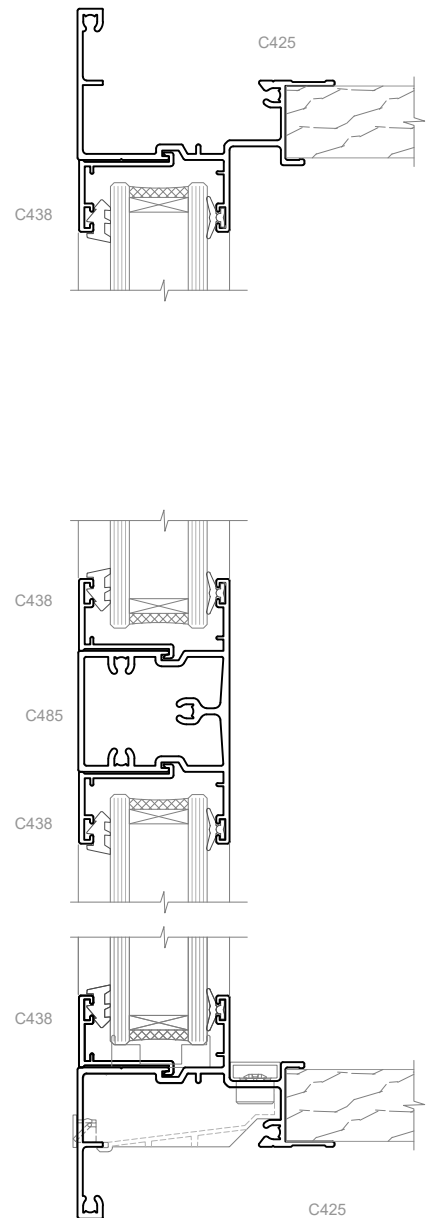


SECTION A-A

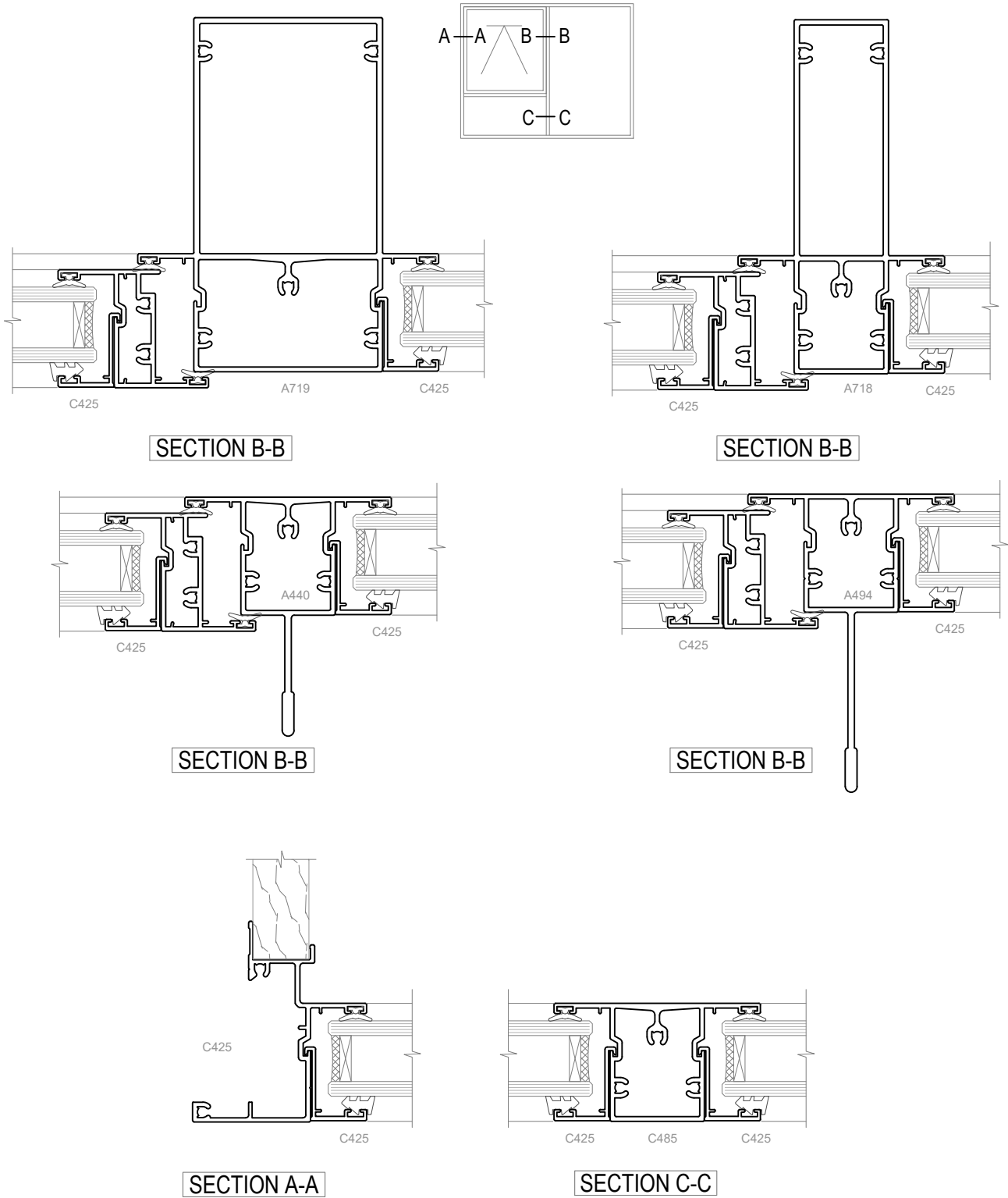


SECTION B-B

AWNING / CASEMENT WINDOW

Rev 0

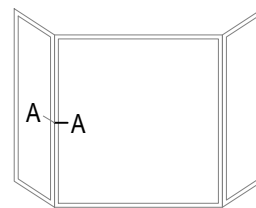
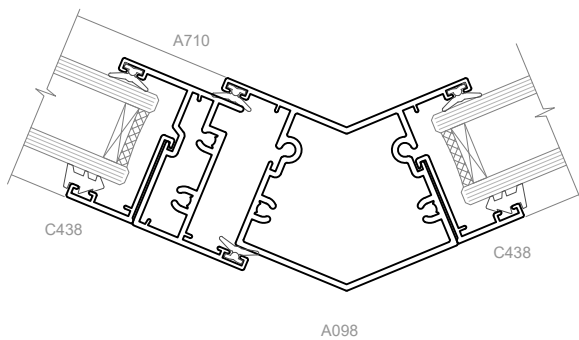




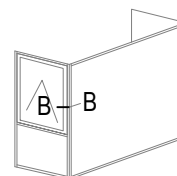
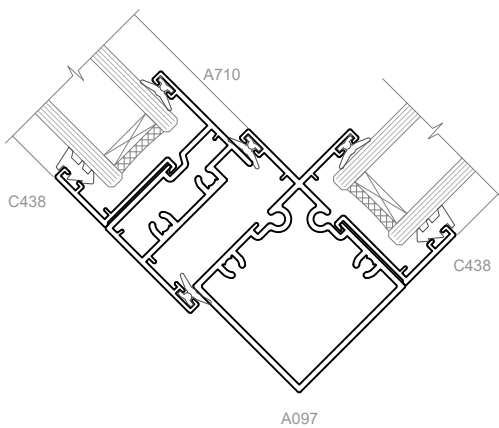
AWNING / CASEMENT WINDOW

Rev 0





SECTION A-A

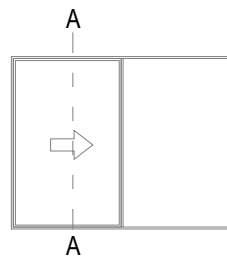
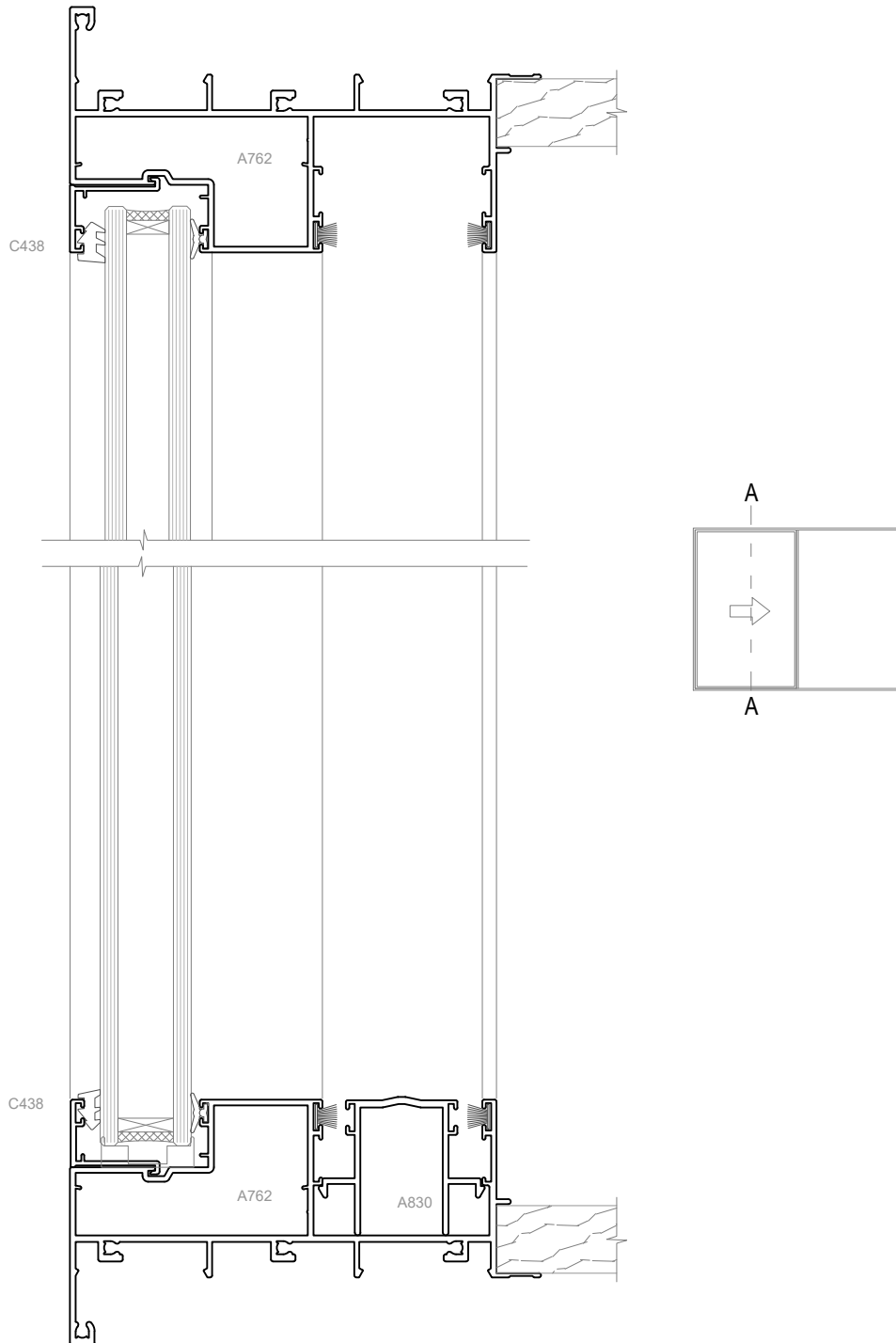


SECTION B-B

BOX & BAY WINDOW

Rev 0



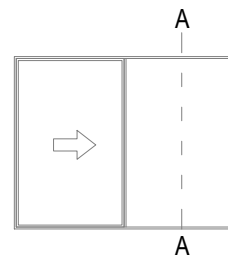
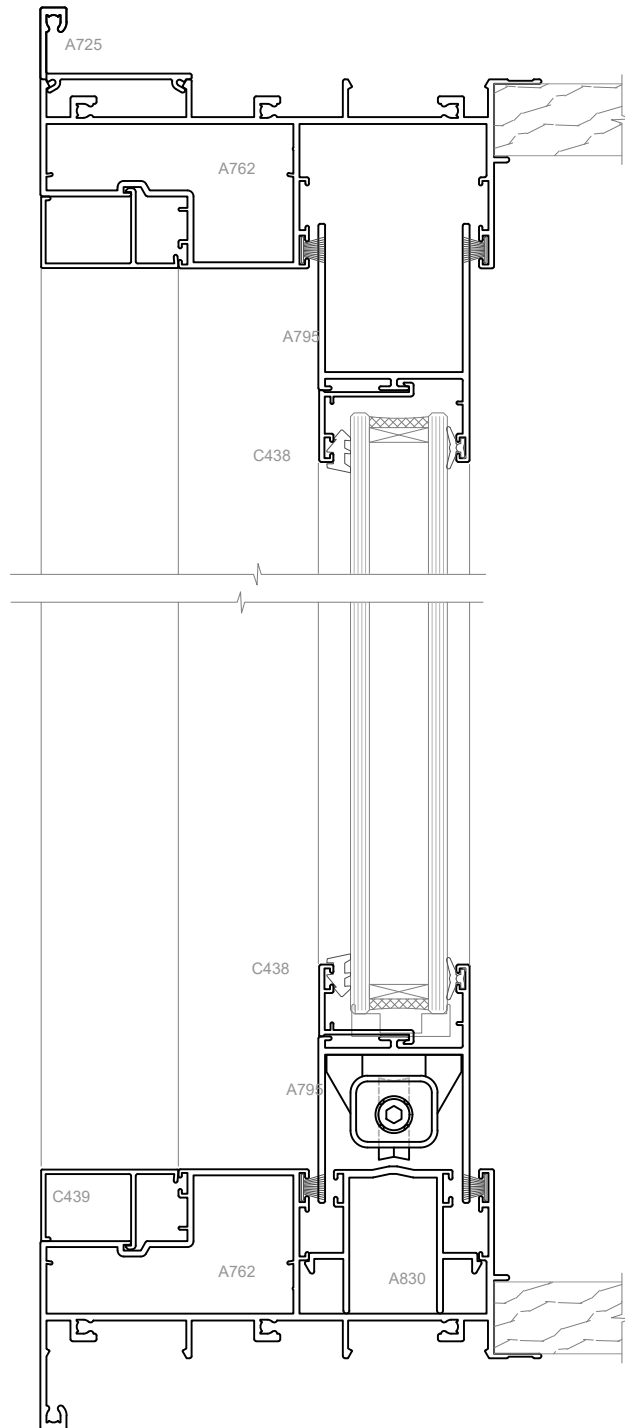


SECTION A-A

SLIDING WINDOW

Rev 0



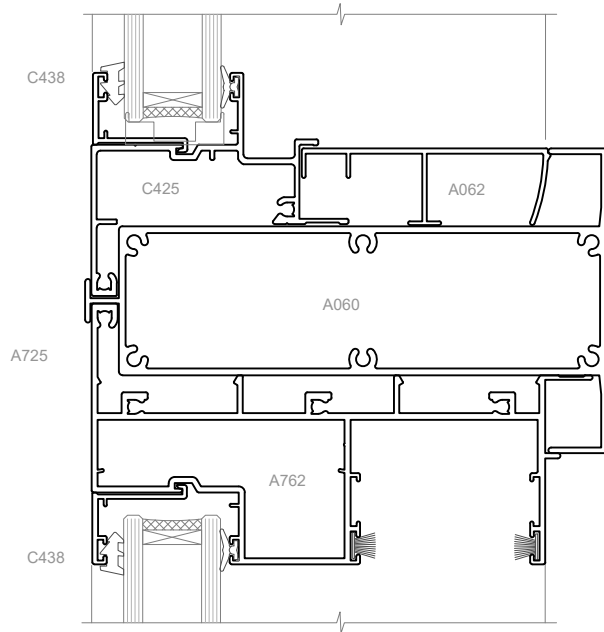
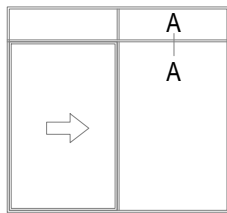


SECTION A-A

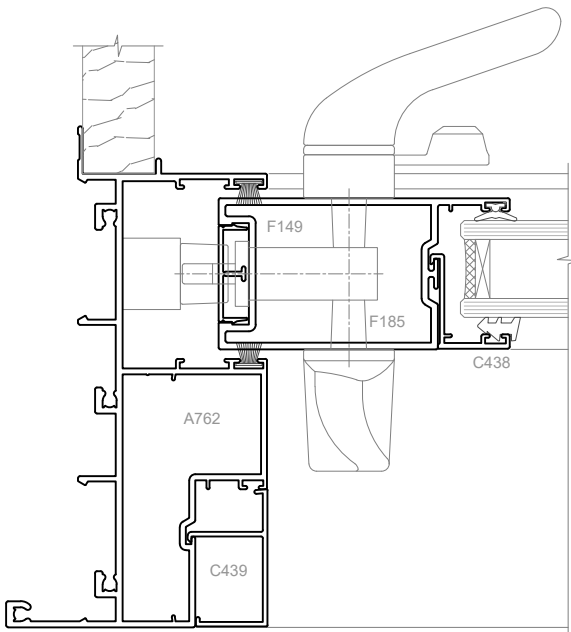
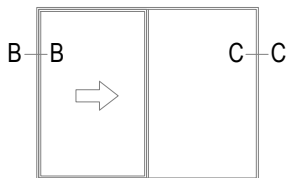
SLIDING WINDOW

Rev 0

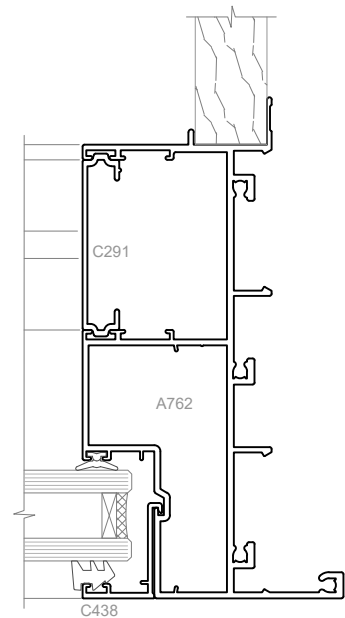




SECTION A-A



SECTION B-B



SECTION C-C

SLIDING WINDOW

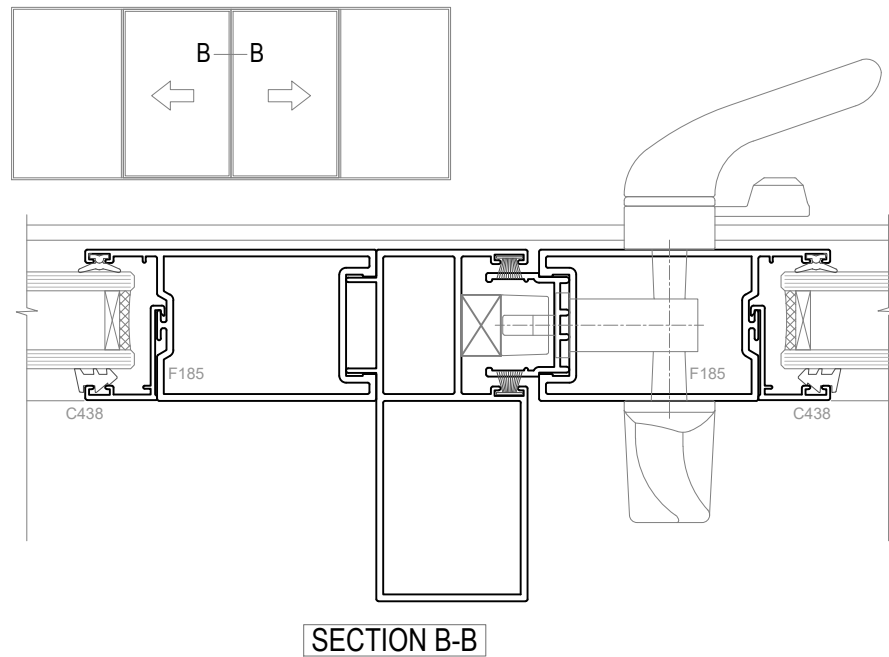
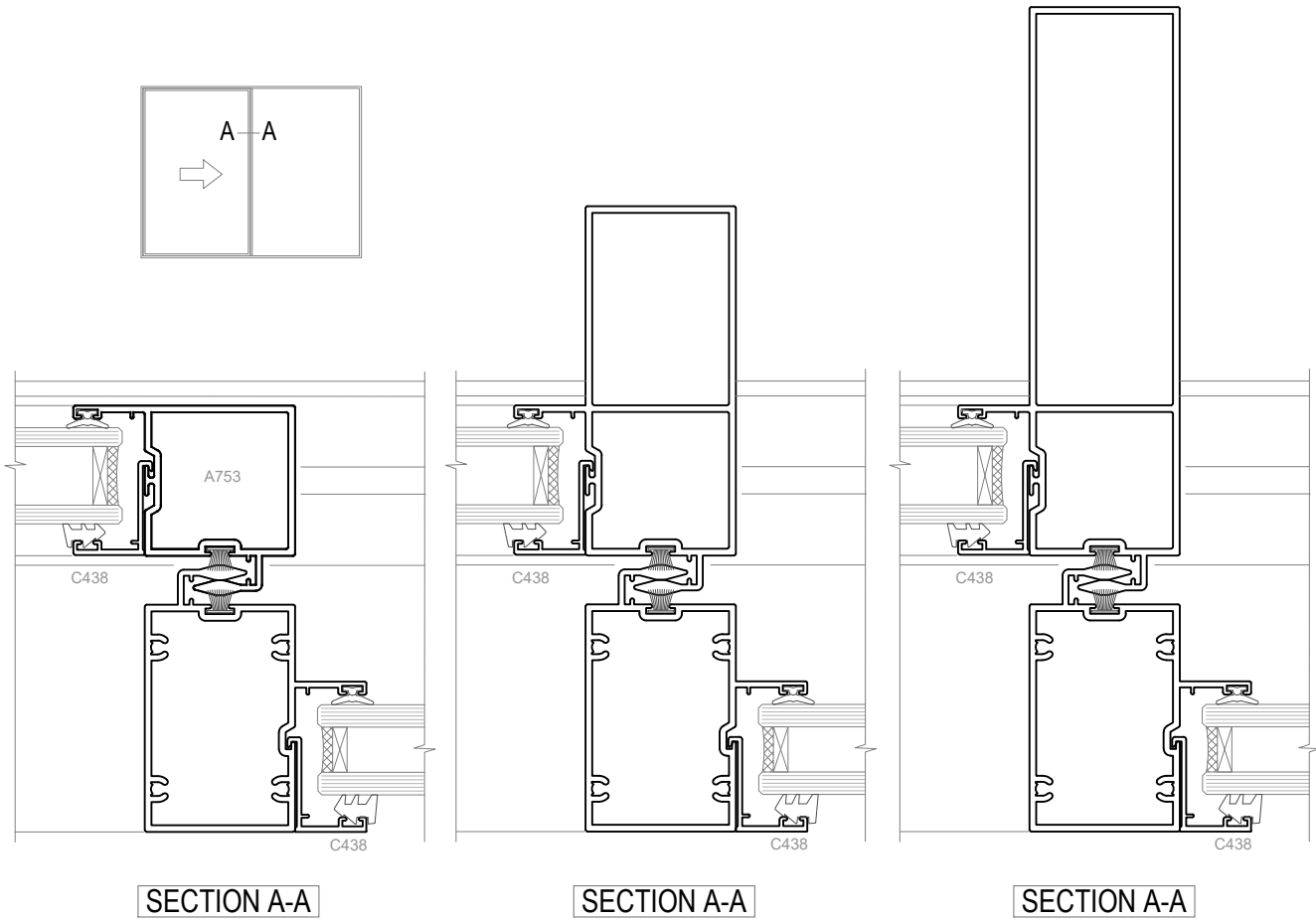
Rev 0



# Architectural Linear 40

Cross Sectional

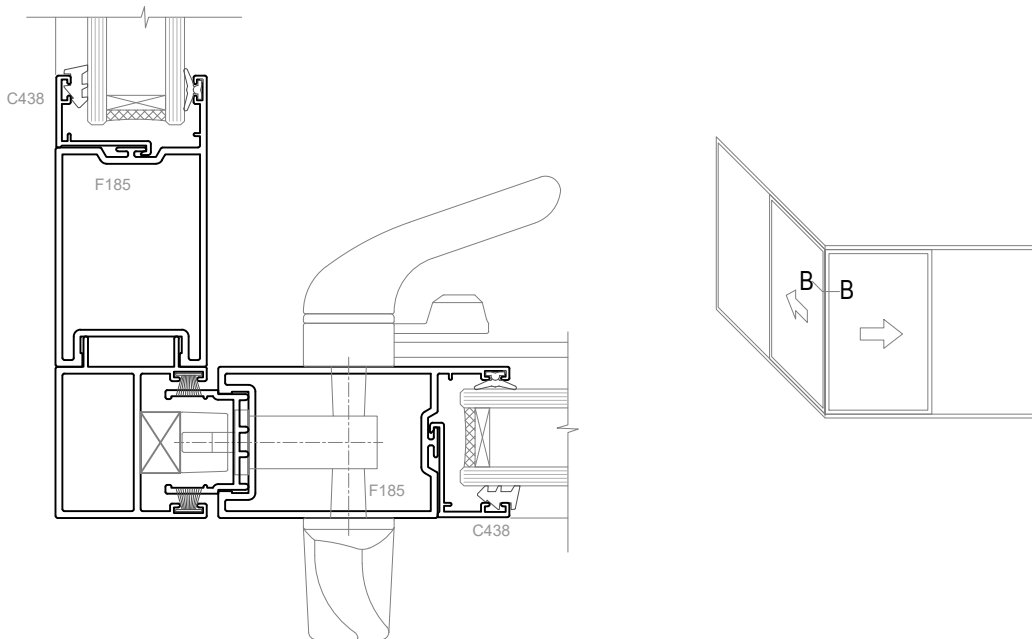
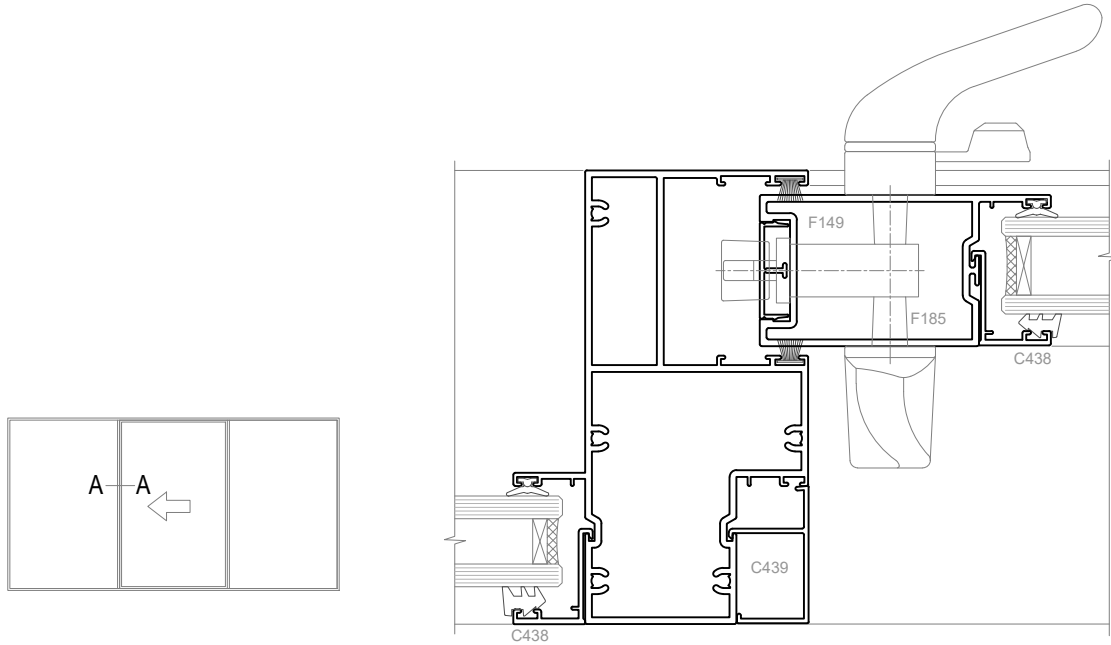
CAD Details



SLIDING WINDOW

Rev 0

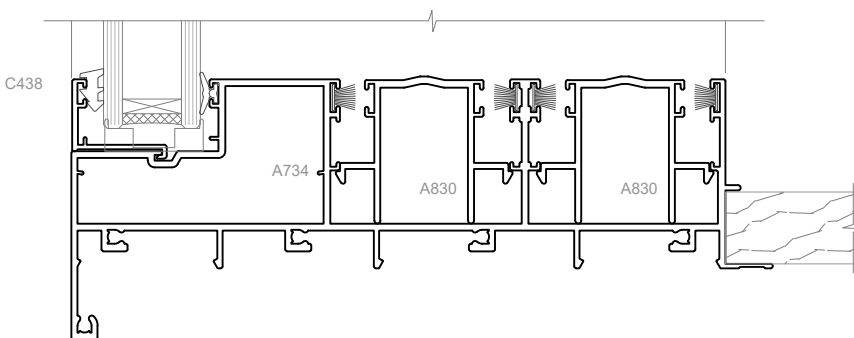
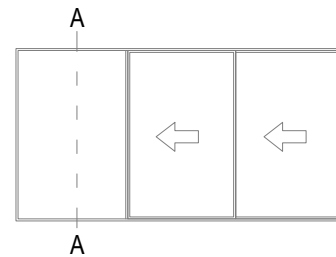
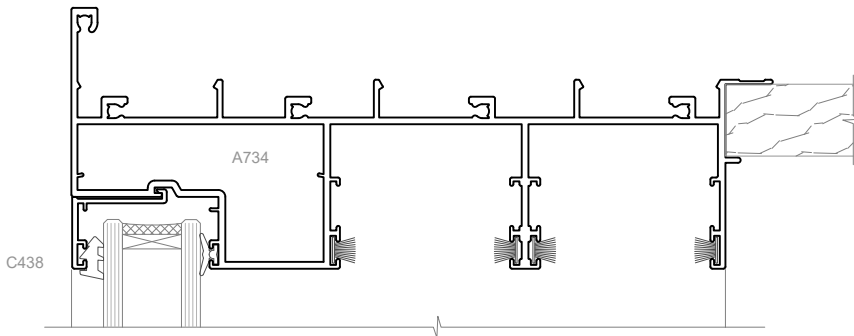




SECTION C-C

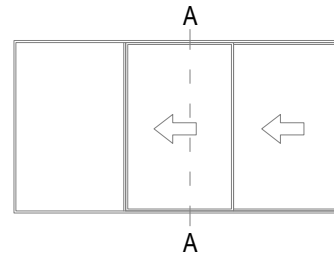
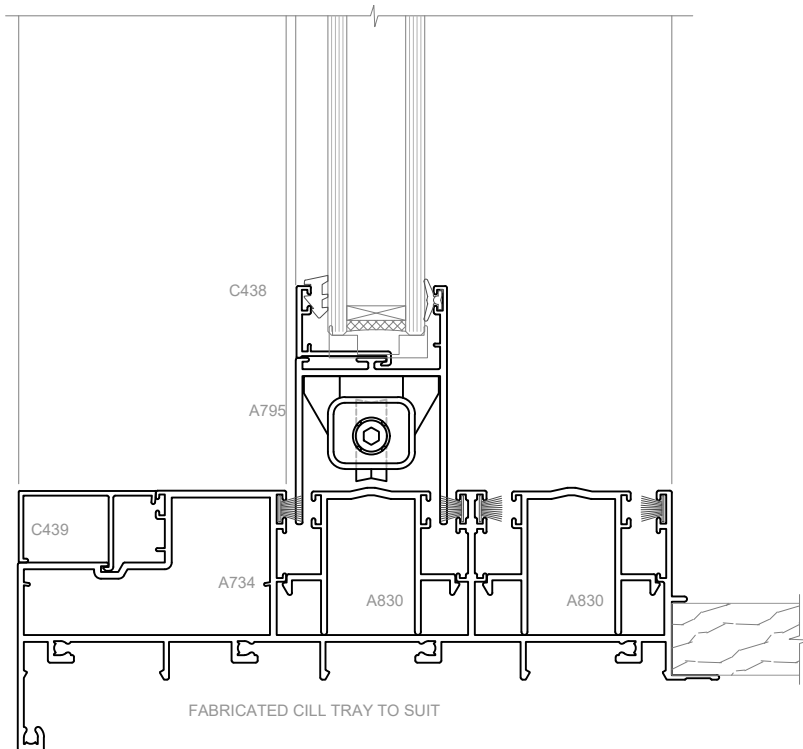
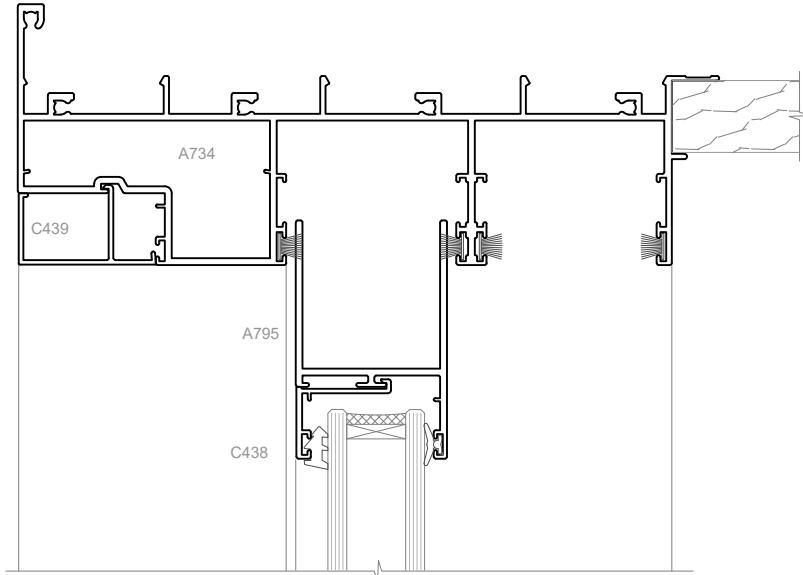
SLIDING WINDOW





SECTION A-A

STACKING WINDOW



SECTION A-A

STACKING WINDOW

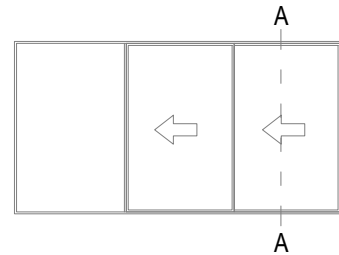
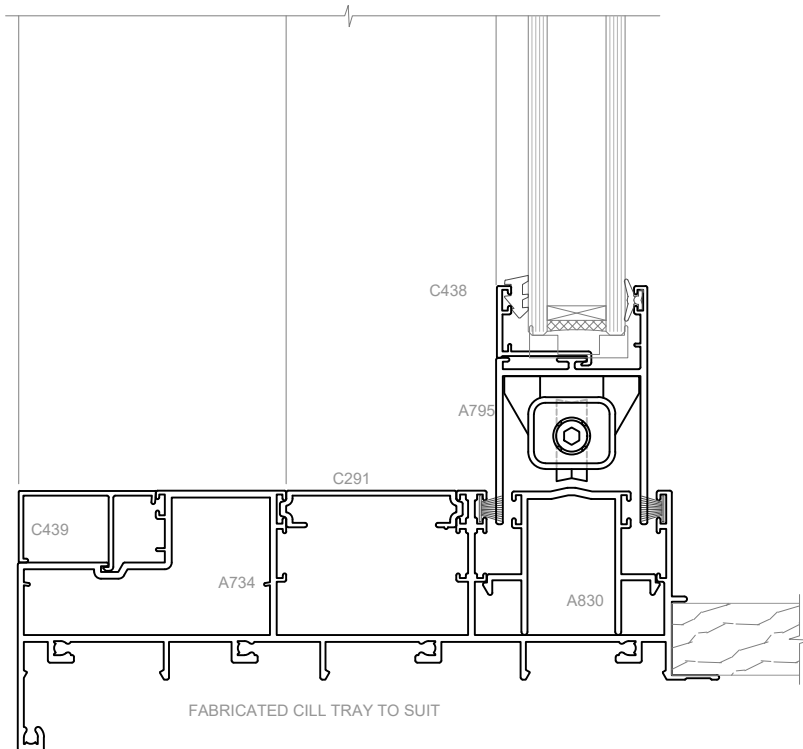
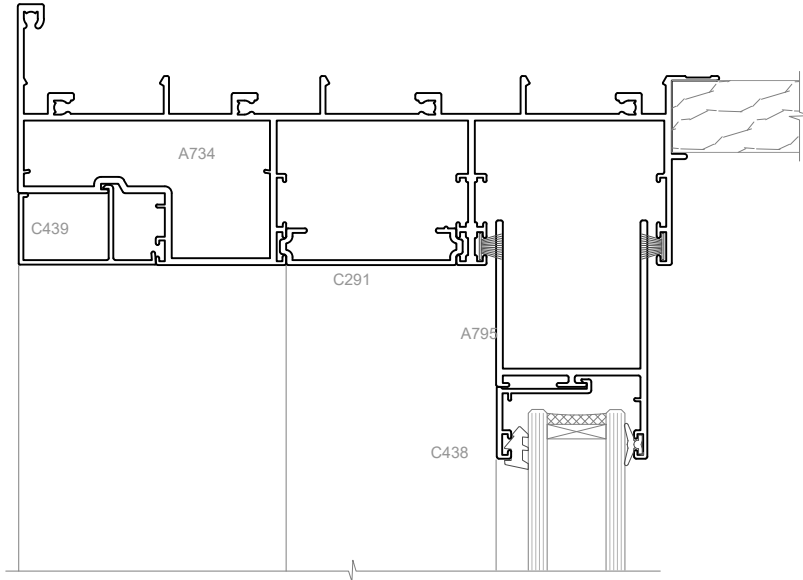
Rev 0



# Architectural Linear 40

Cross Sectional

CAD Details



SECTION A-A

STACKING WINDOW

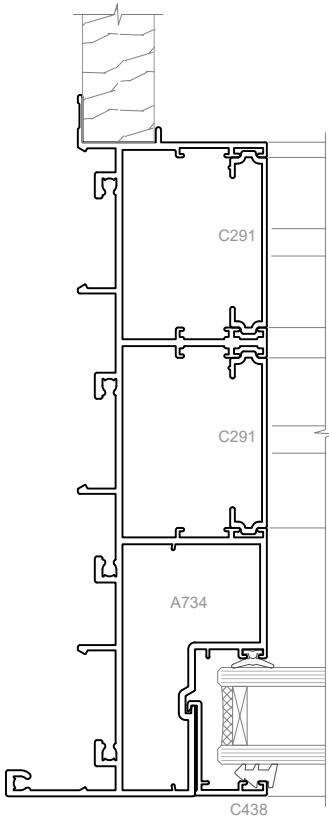
Rev 0



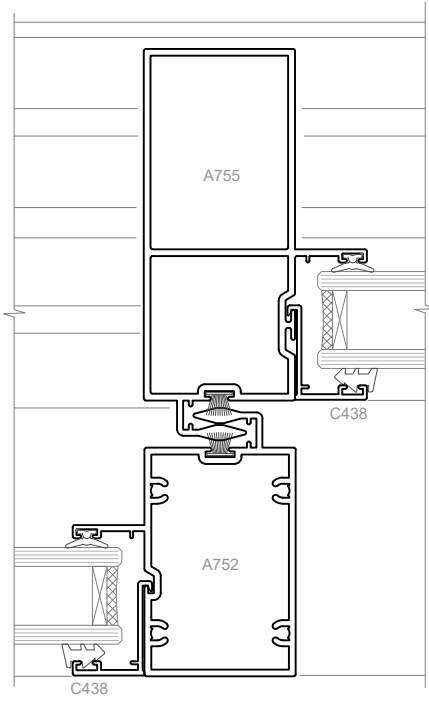
# Architectural Linear 40

Cross Sectional

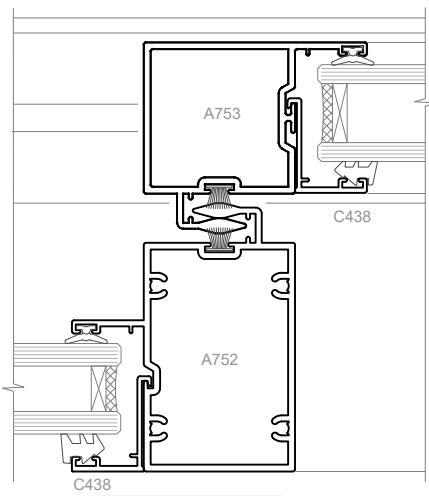
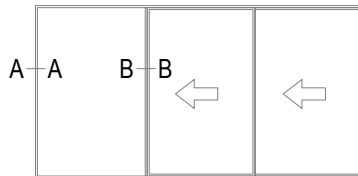
CAD Details



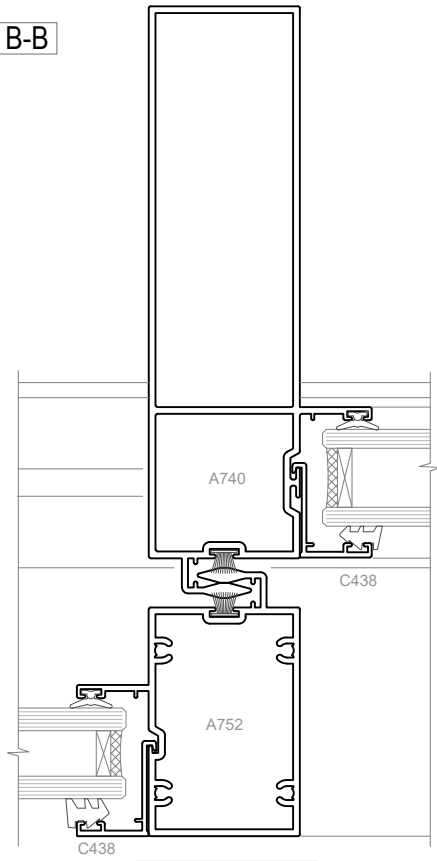
SECTION A-A



SECTION B-B



SECTION B-B



SECTION B-B

STACKING WINDOW

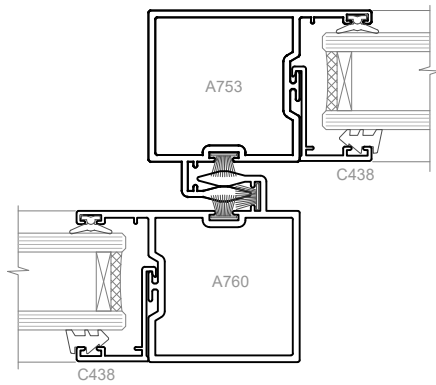
Rev 0



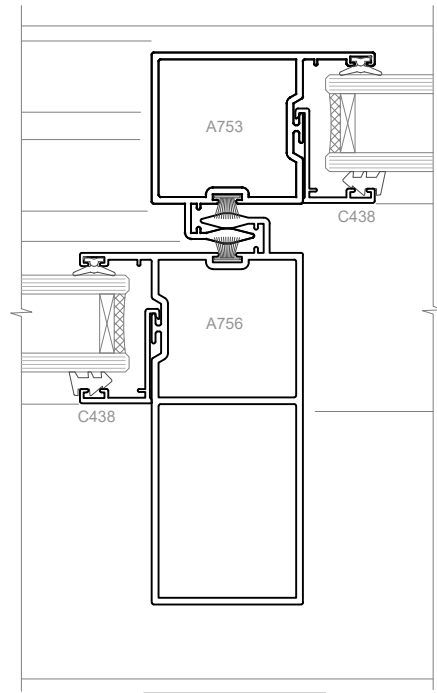
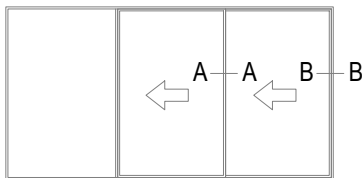
# Architectural Linear 40

Cross Sectional

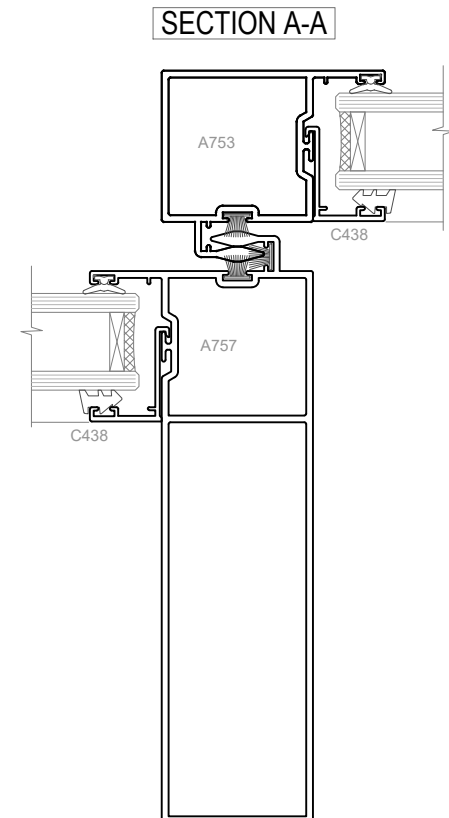
CAD Details



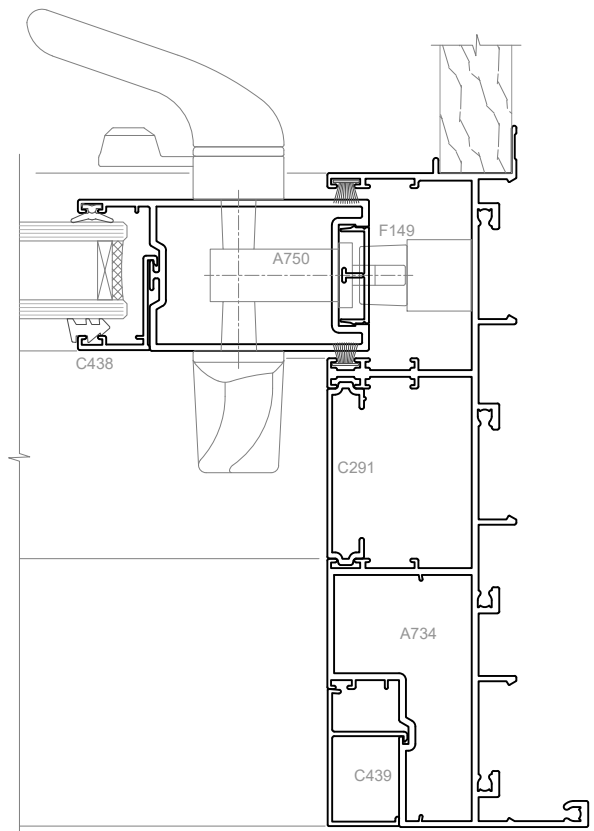
SECTION A-A



SECTION A-A



SECTION A-A



SECTION B-B

STACKING WINDOW

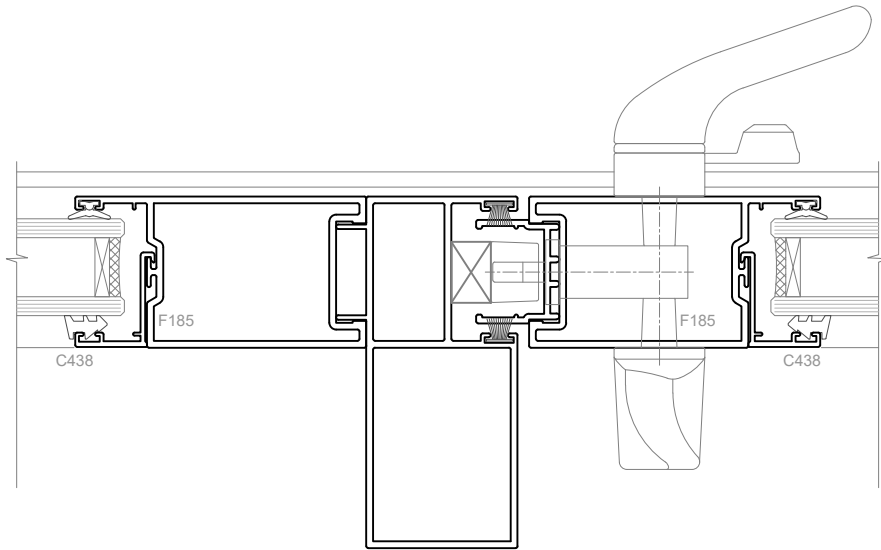
Rev 0



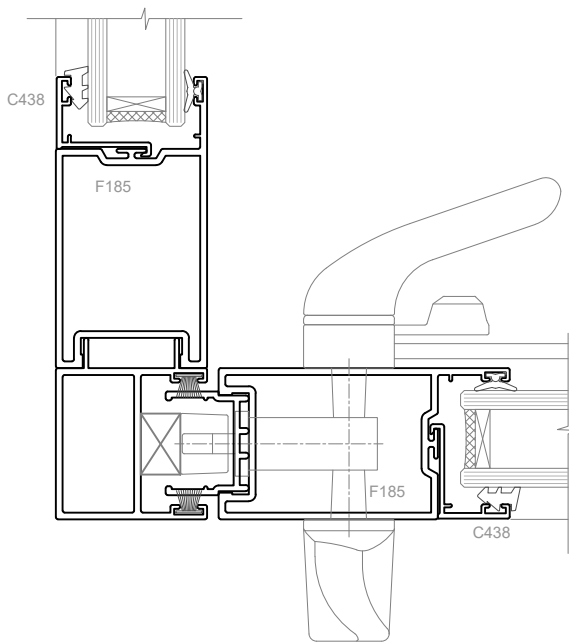
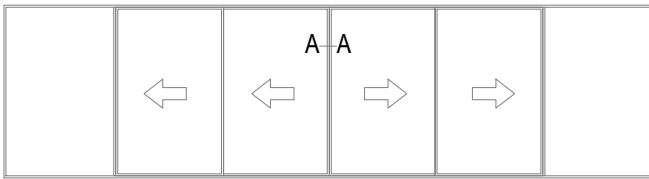
# Architectural Linear 40

Cross Sectional

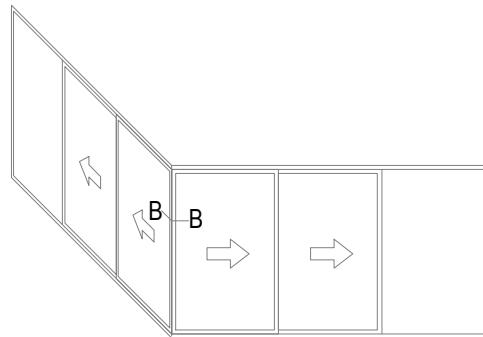
CAD Details



SECTION A-A



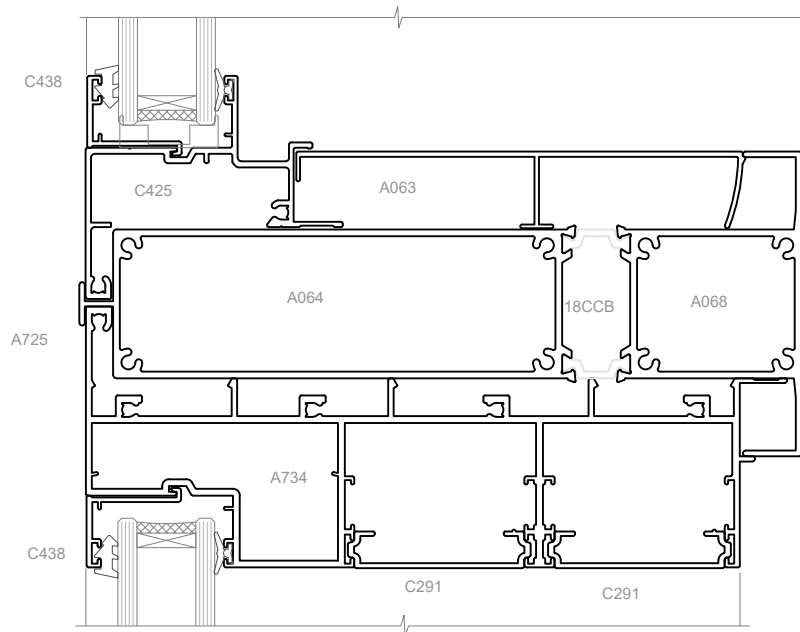
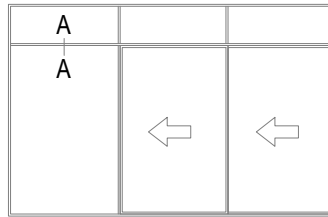
SECTION B-B



STACKING WINDOW

Rev 0





SECTION A-A

STACKING WINDOW

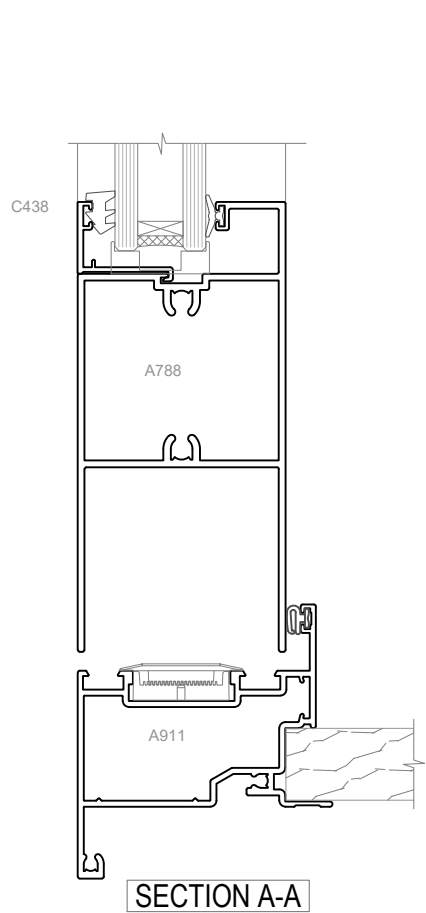
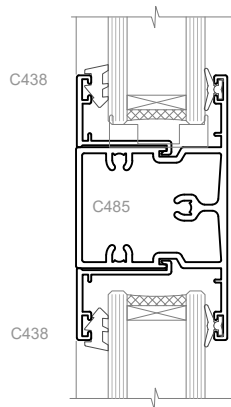
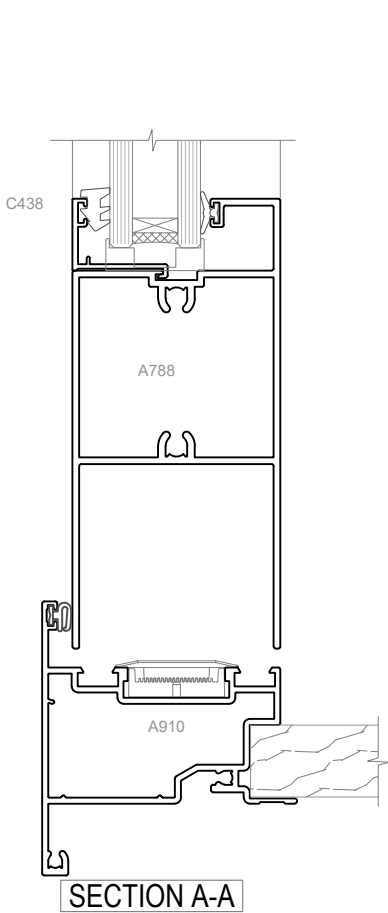
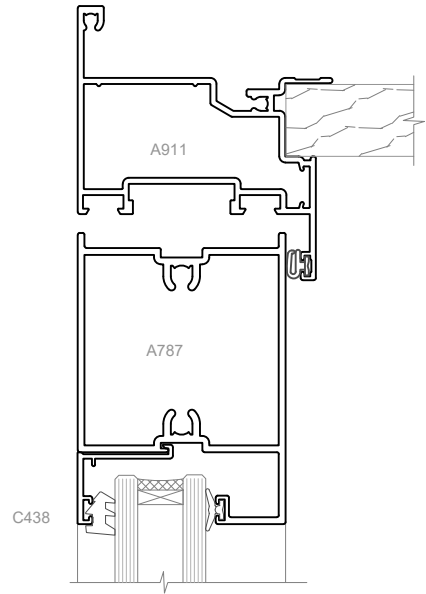
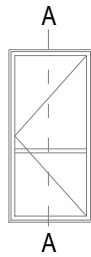
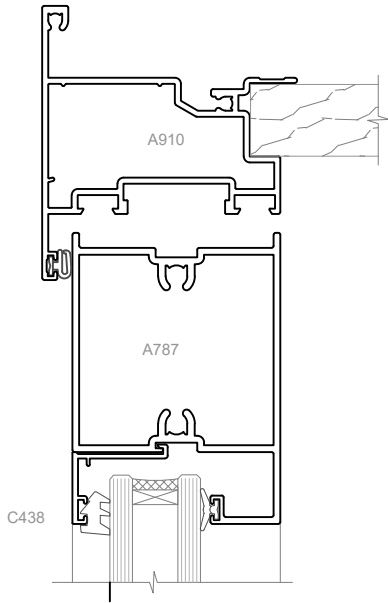
Rev 0



# Architectural Linear 40

Cross Sectional

CAD Details



HINGED DOOR

Rev 0

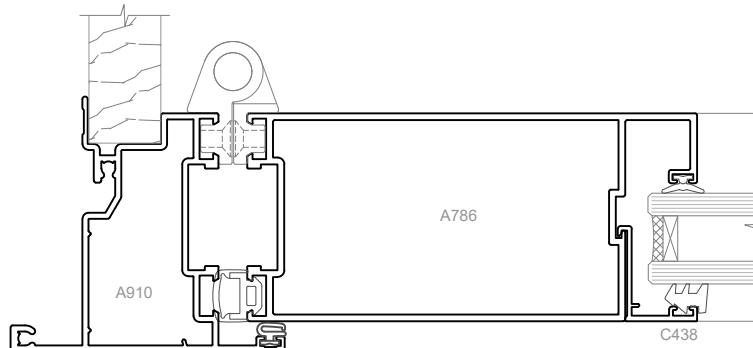




# Architectural Linear 40

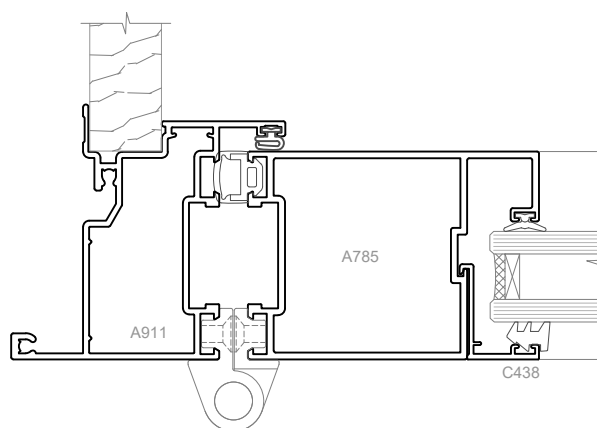
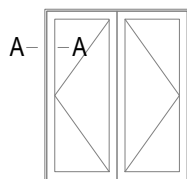
Cross Sectional

CAD Details



**SECTION A-A**

WIDE STILE OPTION



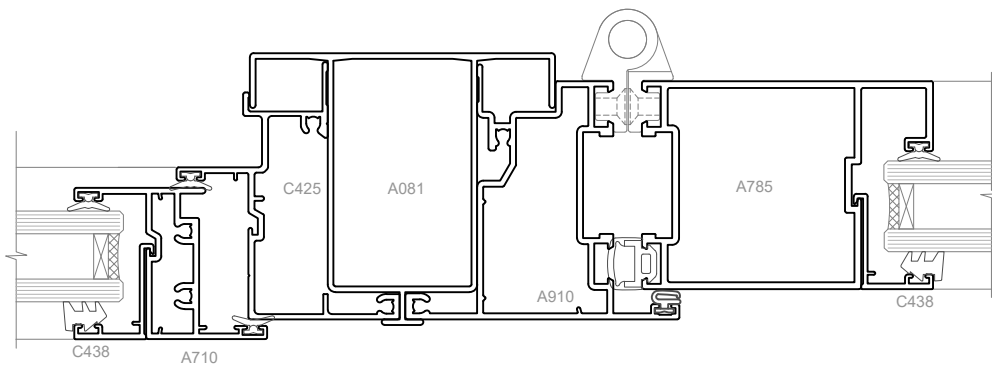
**SECTION A-A**

STANDARD STILE OPTION

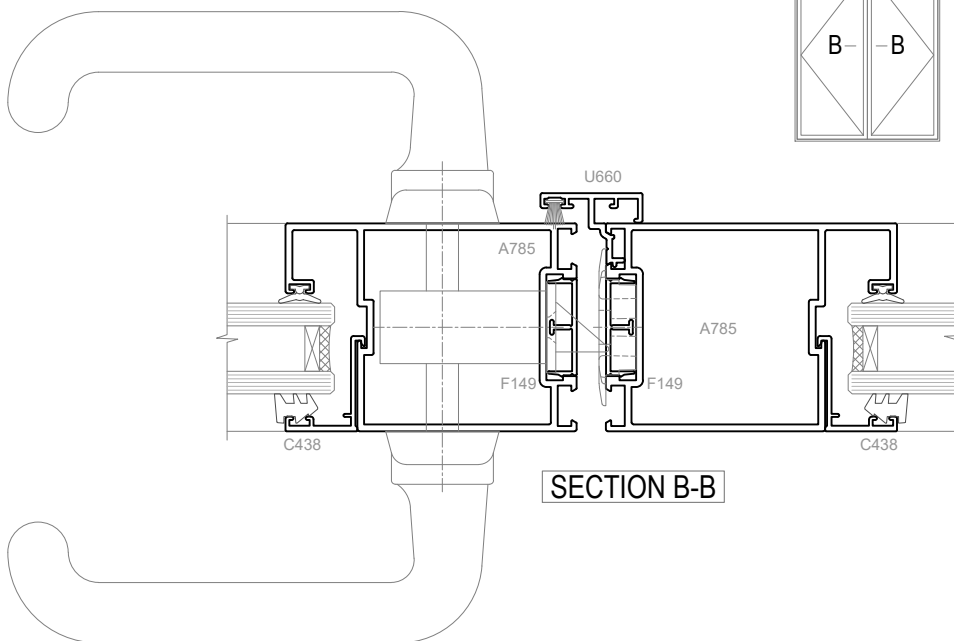
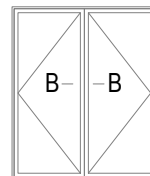
HINGED DOOR

Rev 0





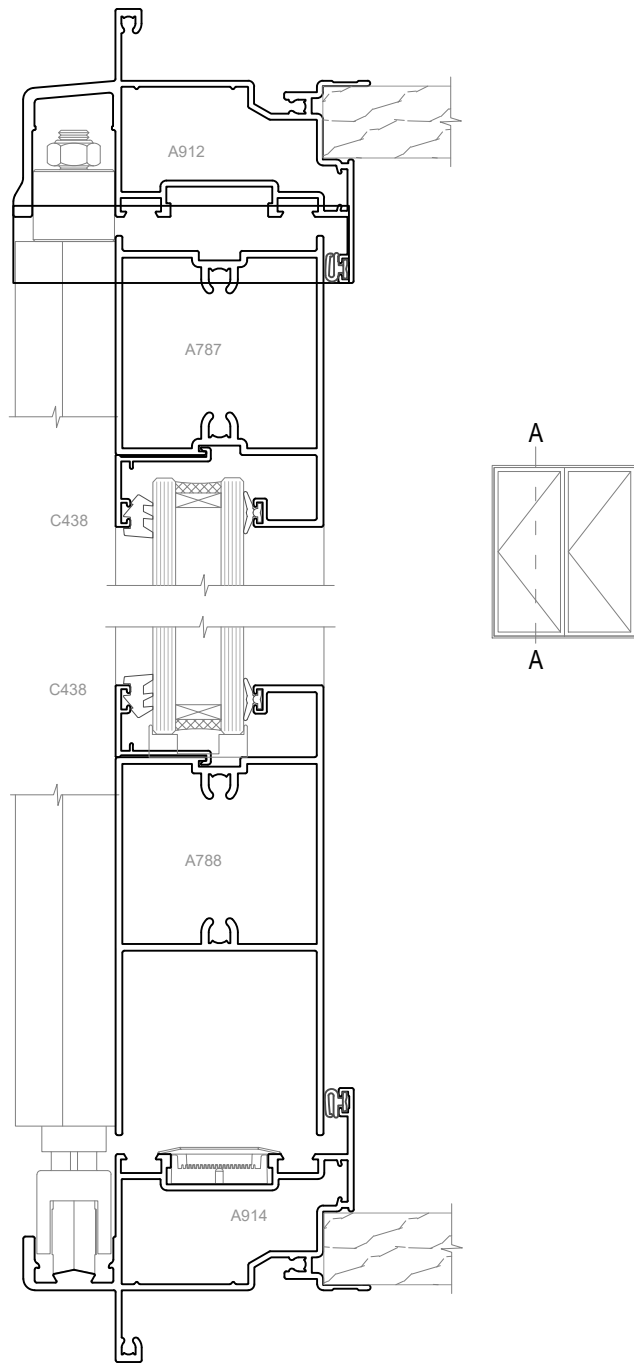
SECTION A-A



SECTION B-B

Rev 0





SECTION A-A

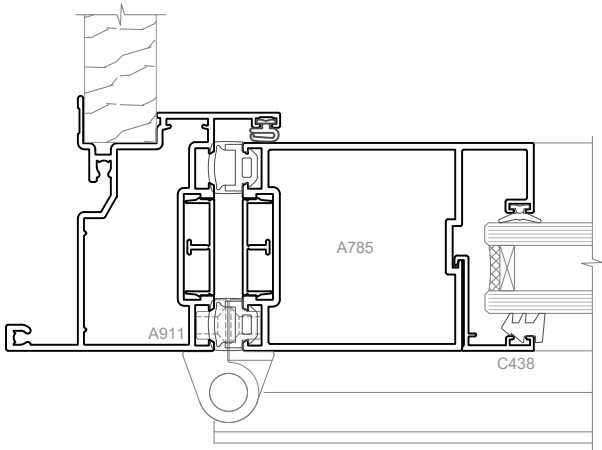
BOTTOM ROLLING BIFOLD DOOR

Rev 0

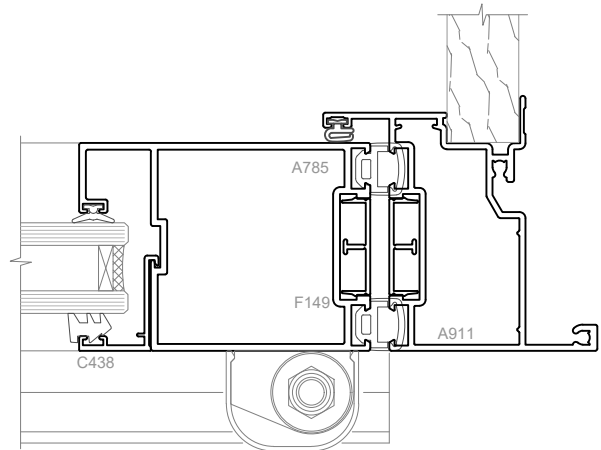


# Architectural Linear 40

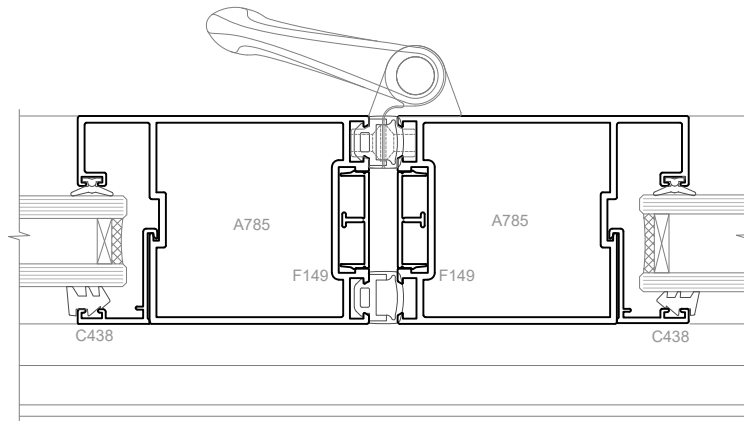
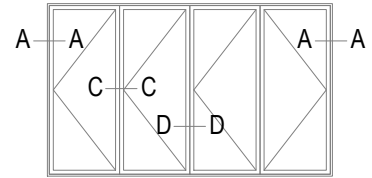
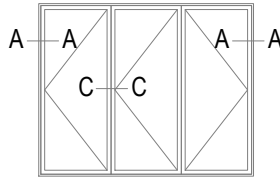
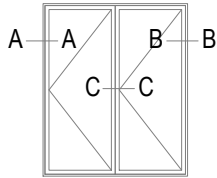
Cross Sectional  
CAD Details



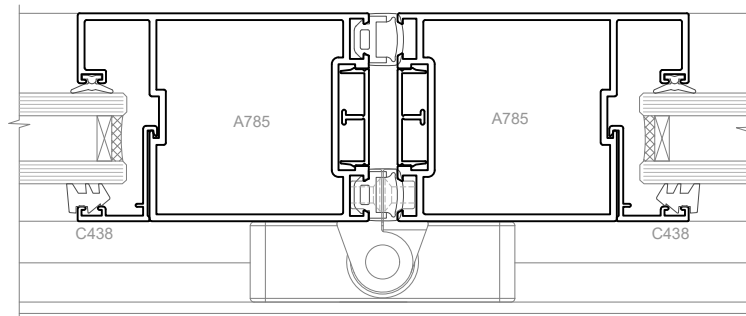
SECTION A-A



SECTION B-B



SECTION C-C



SECTION D-D

BOTTOM ROLLING BIFOLD DOOR

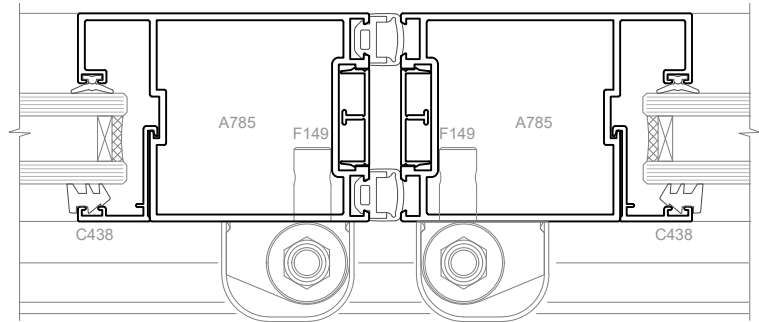
Rev 0



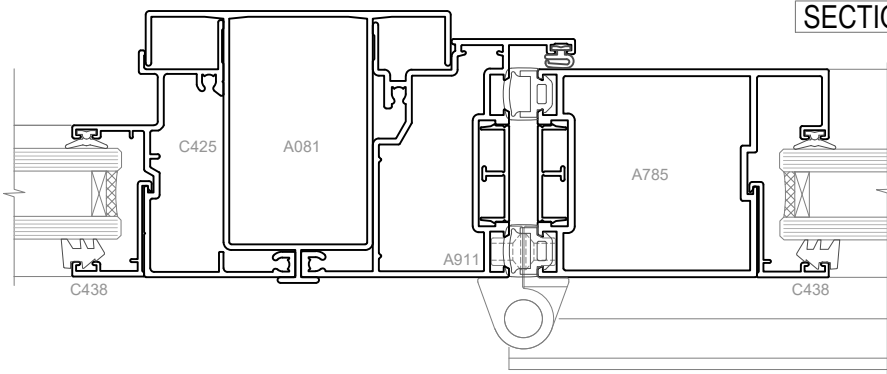
# Architectural Linear 40

Cross Sectional

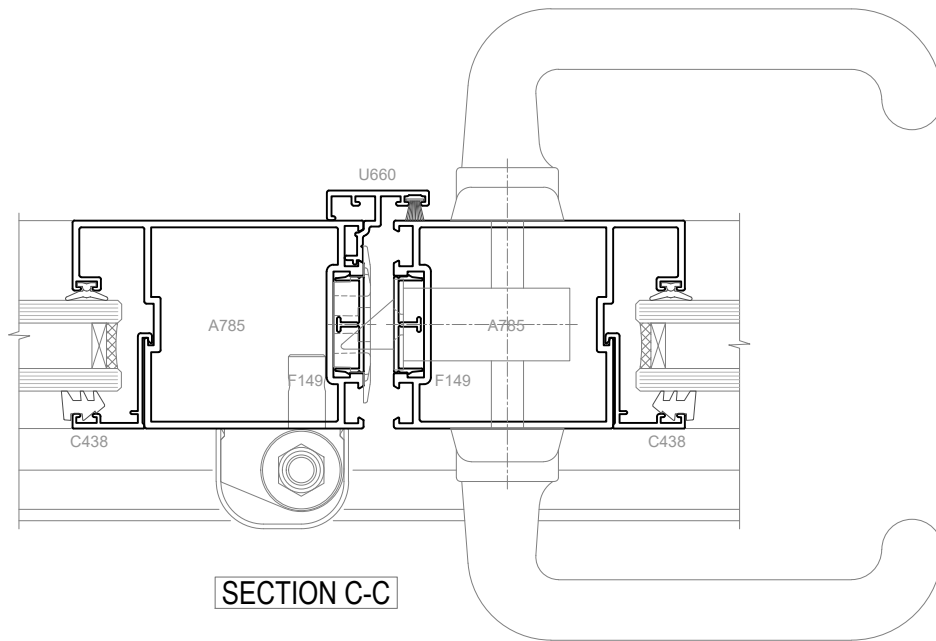
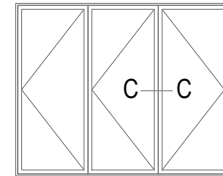
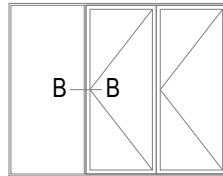
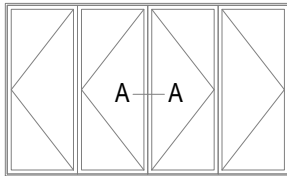
CAD Details



SECTION A-A



SECTION B-B



SECTION C-C

BOTTOM ROLLING BIFOLD DOOR

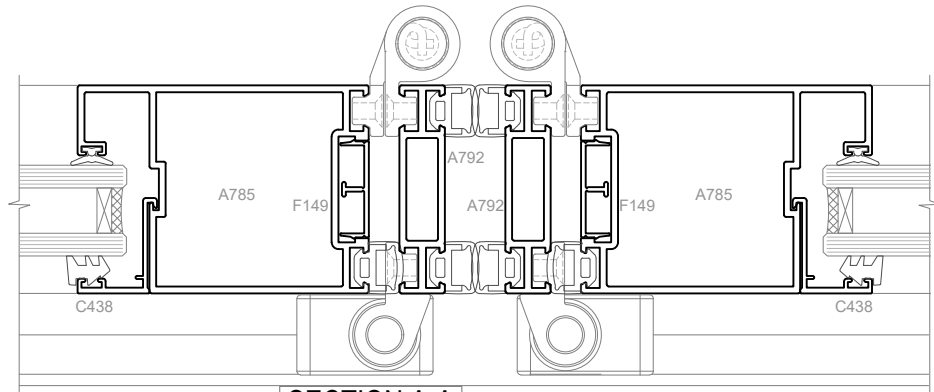
Rev 0



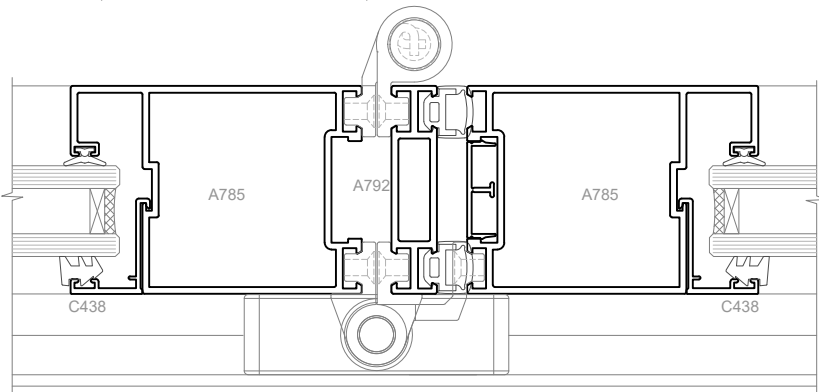
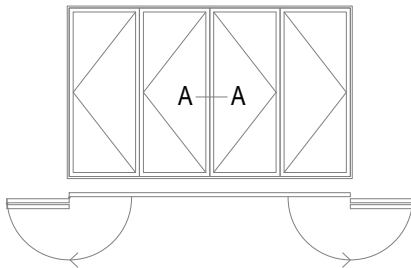
# Architectural Linear 40

Cross Sectional

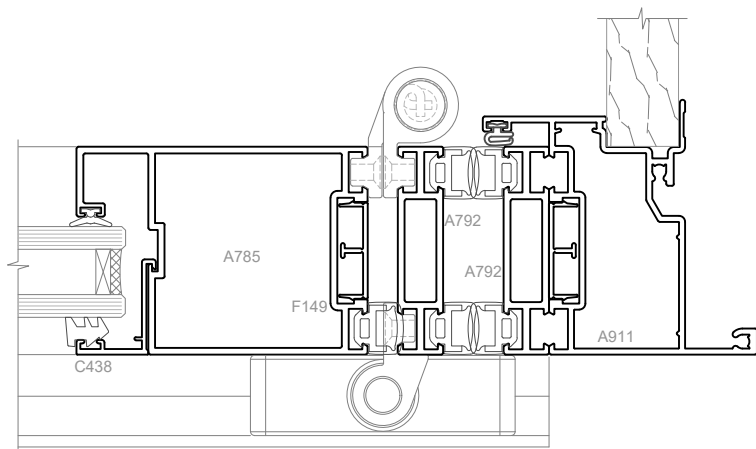
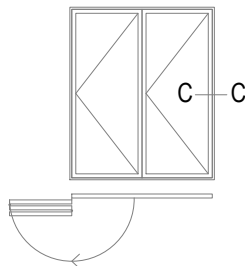
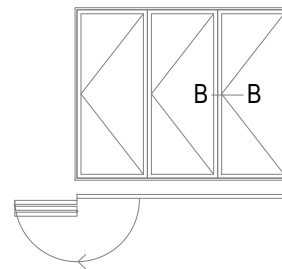
CAD Details



SECTION A-A



SECTION B-B



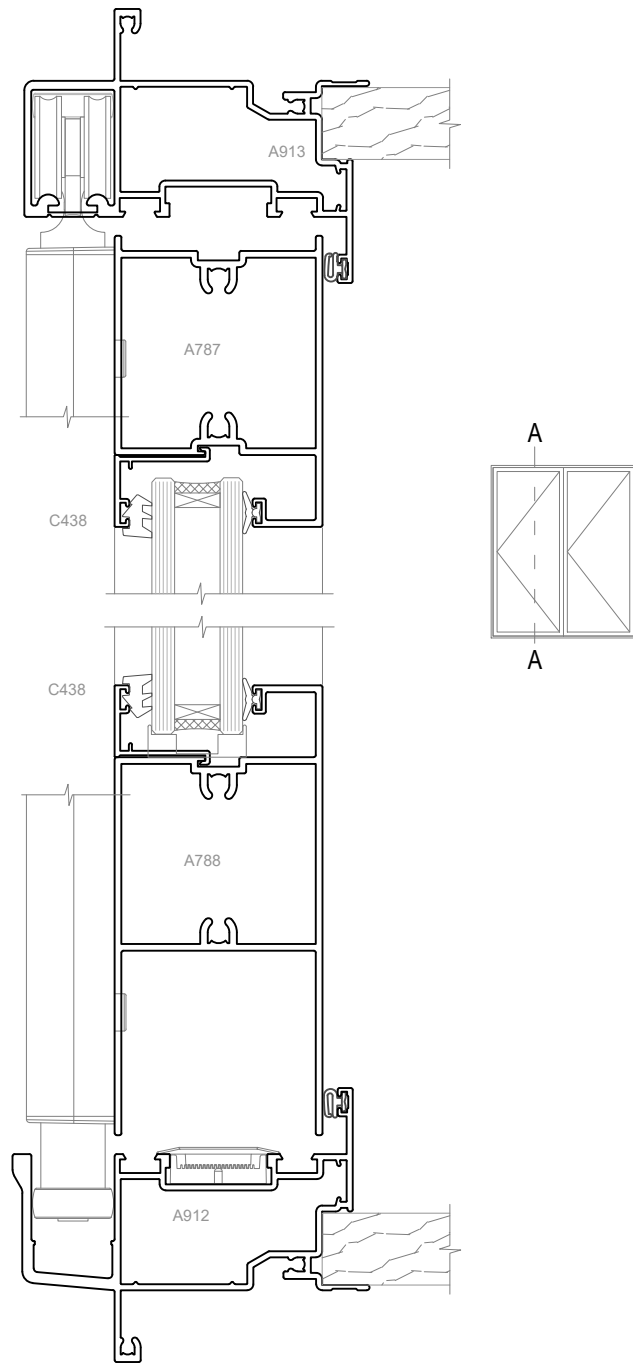
SECTION C-C

FREEFOLD

BOTTOM ROLLING BIFOLD DOOR

Rev 0





SECTION A-A

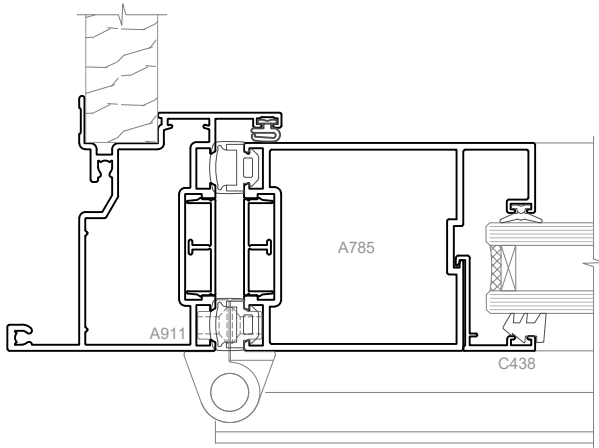
TOP HUNG CHANEL GUIDE BIFOLD DOOR

Rev 0

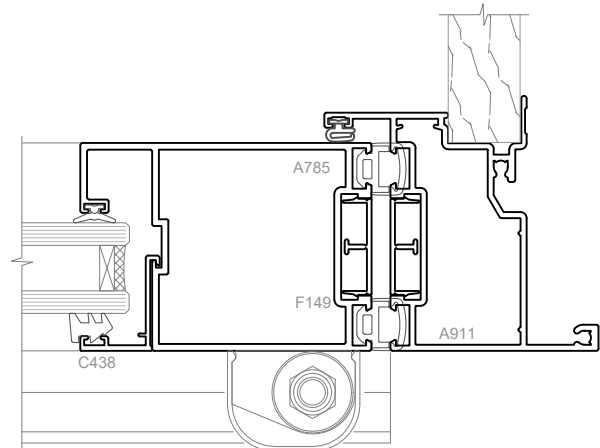


# Architectural Linear 40

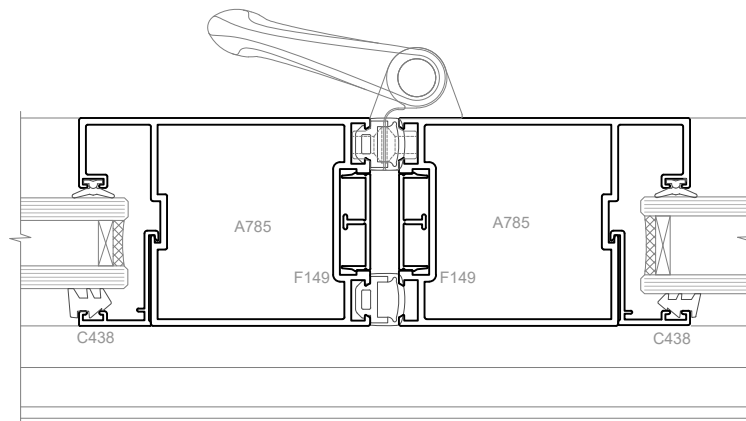
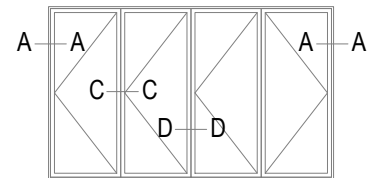
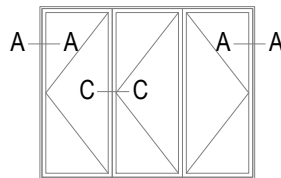
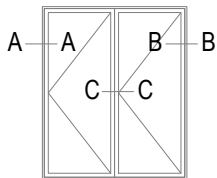
Cross Sectional  
CAD Details



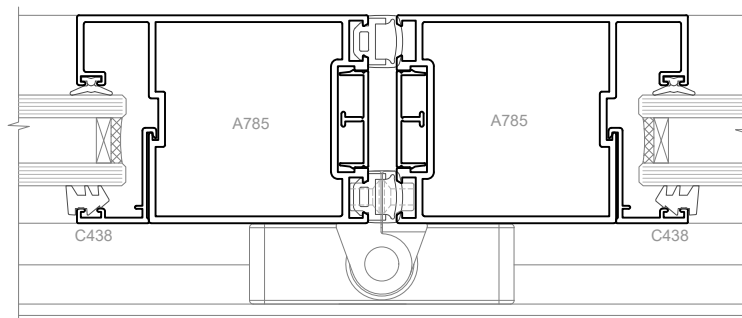
SECTION A-A



SECTION B-B



SECTION C-C



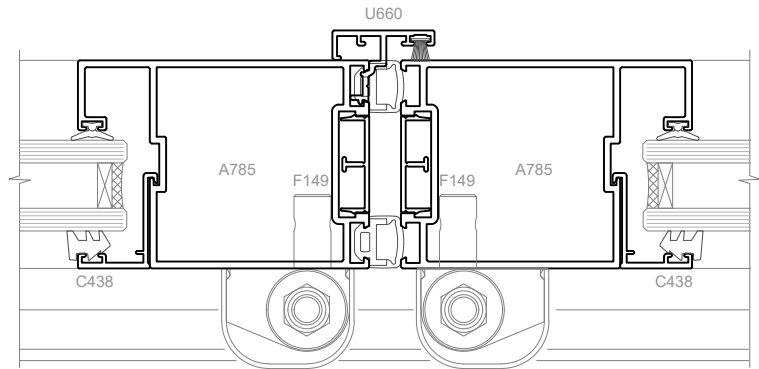
SECTION D-D

TOP HUNG CHANEL GUIDE BIFOLD DOOR

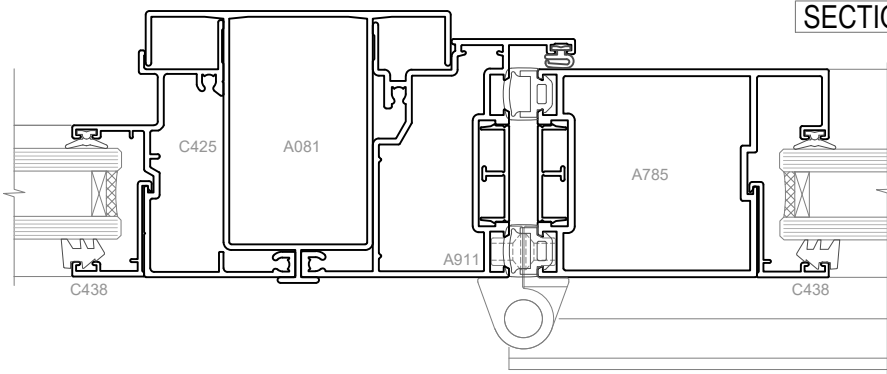
Rev 0



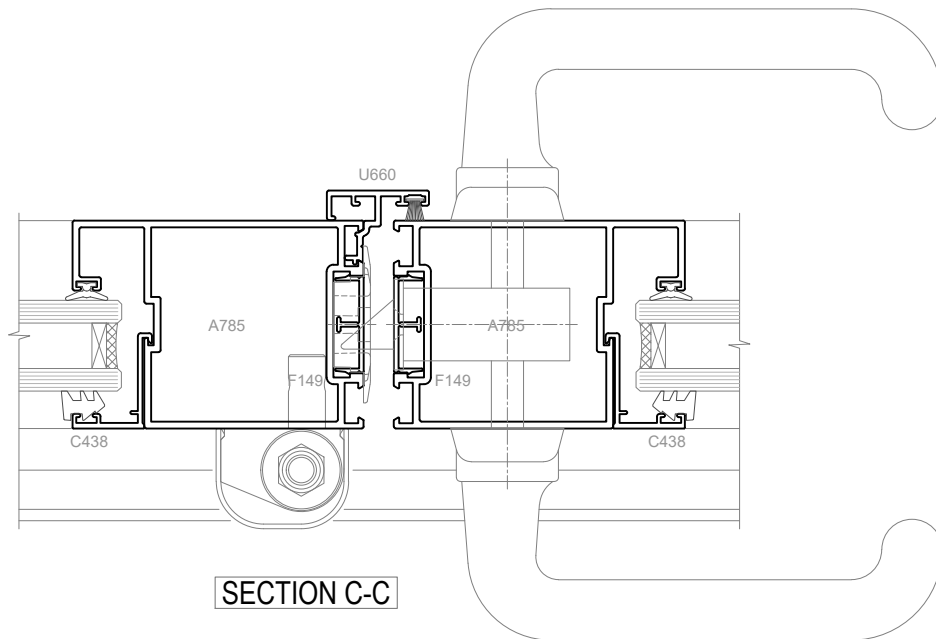
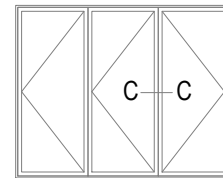
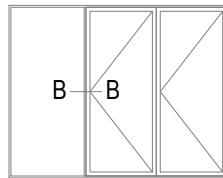
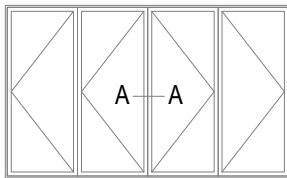




SECTION A-A



SECTION B-B



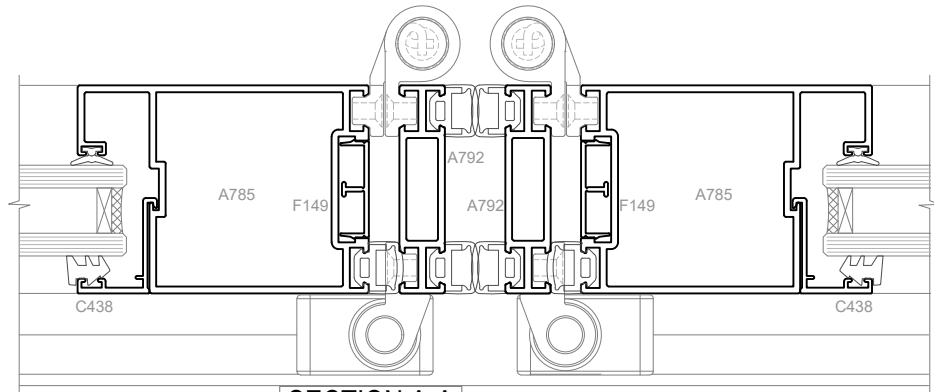
SECTION C-C

TOP HUNG CHANEL GUIDE BIFOLD DOOR

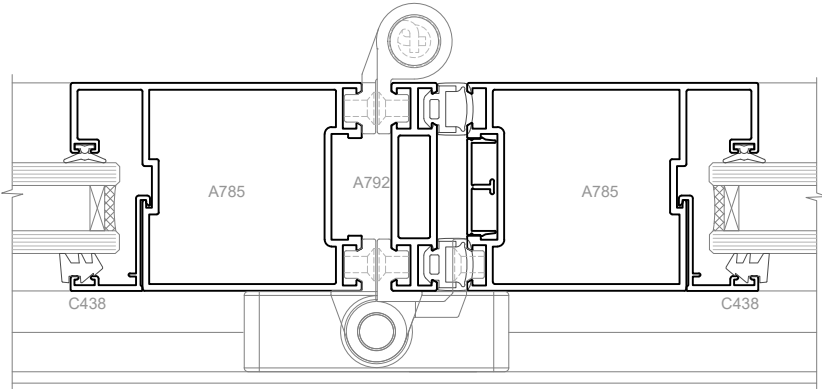
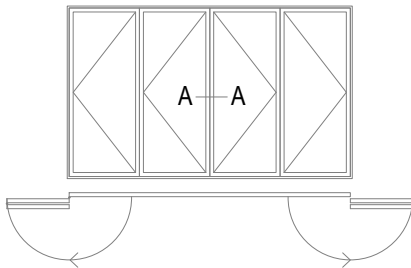
# Architectural Linear 40

Cross Sectional

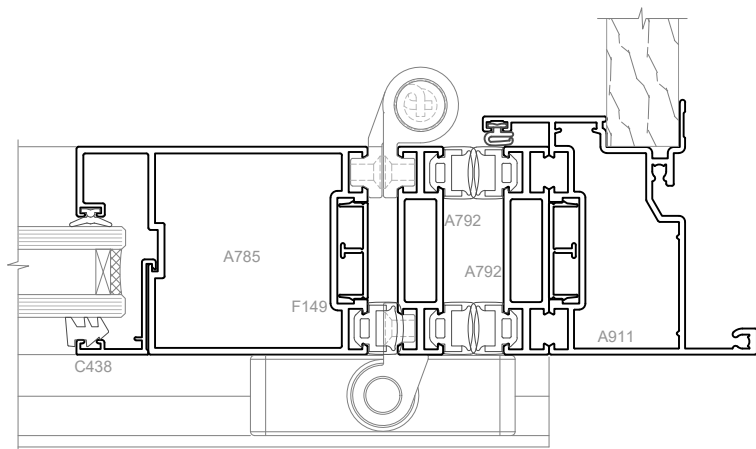
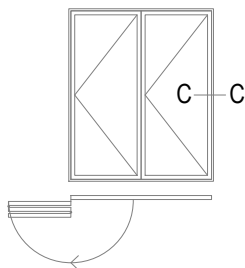
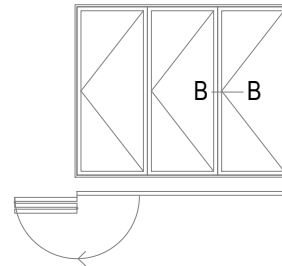
CAD Details



SECTION A-A



SECTION B-B



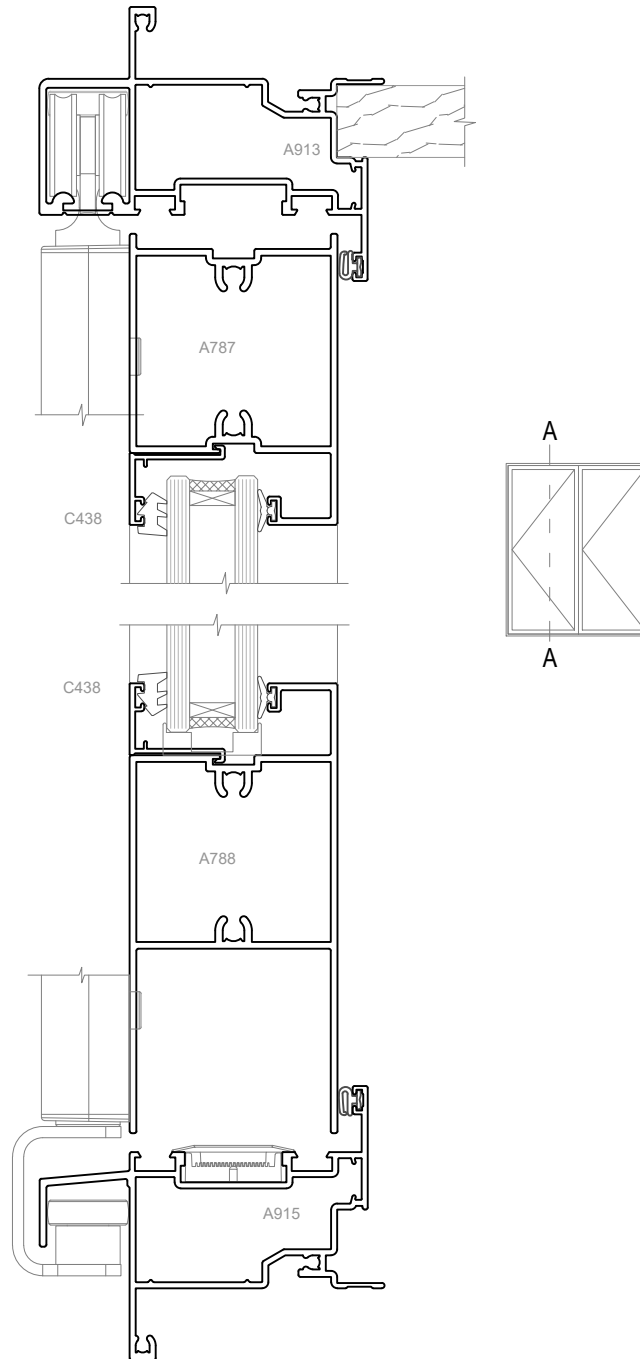
SECTION C-C

FREEFOLD

TOP HUNG CHANEL GUIDE BIFOLD DOOR

Rev 0





SECTION A-A

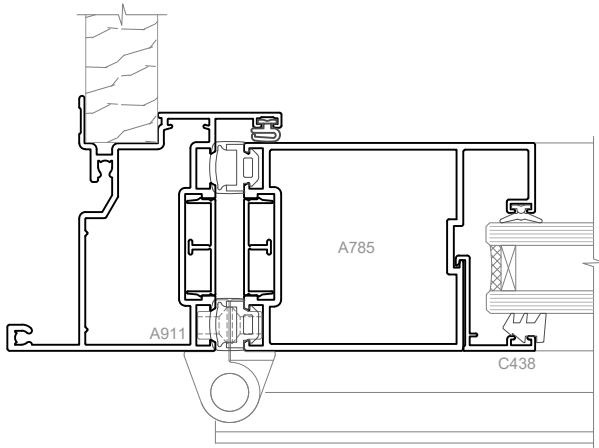
TOP HUNG HOOPED GUIDE BIFOLD DOOR

Rev 0

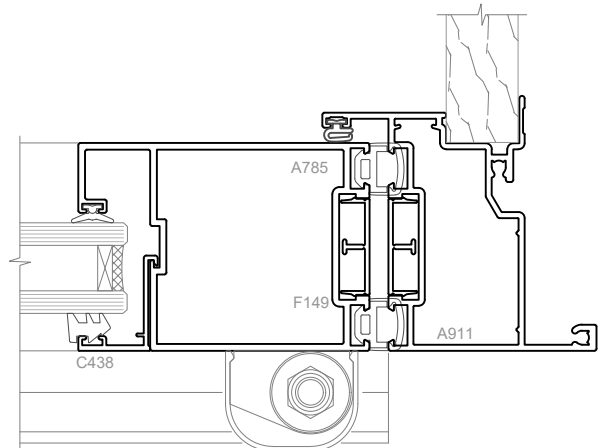


# Architectural Linear 40

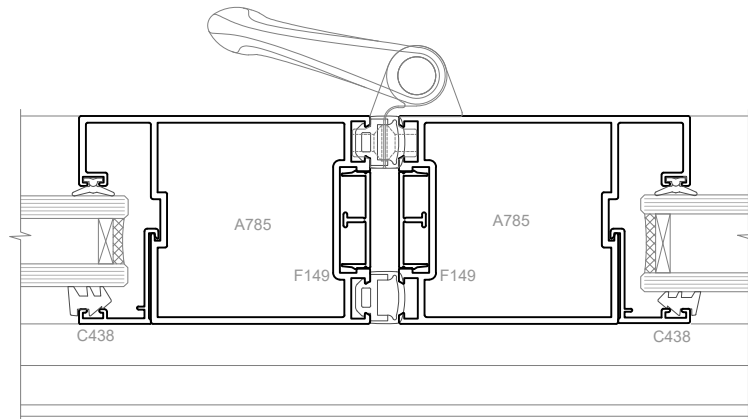
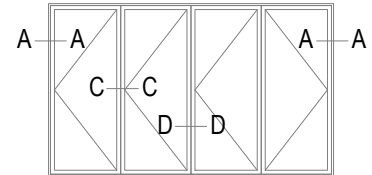
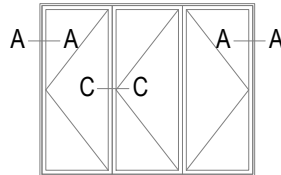
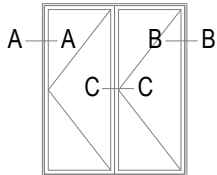
Cross Sectional  
CAD Details



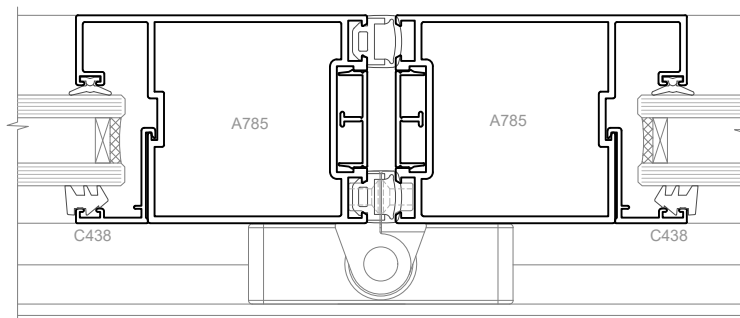
SECTION A-A



SECTION B-B



SECTION C-C

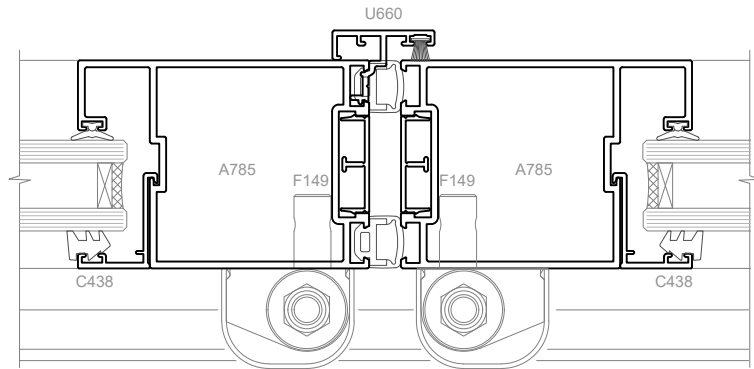


SECTION D-D

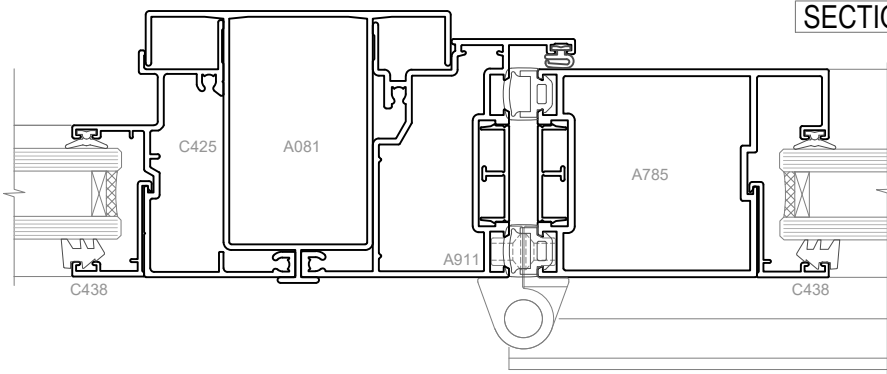
TOP HUNG HOODED GUIDE BIFOLD DOOR

Rev 0

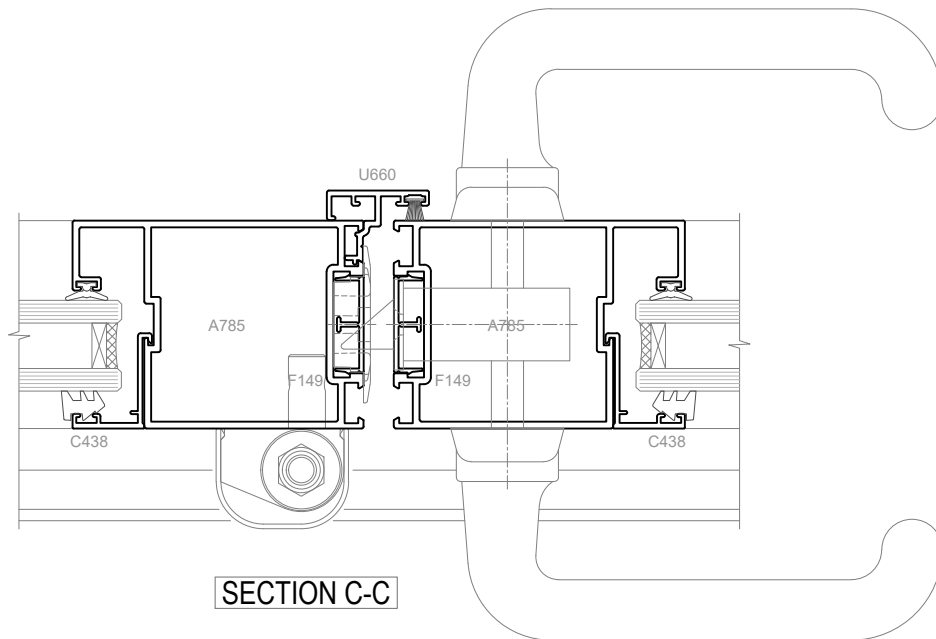
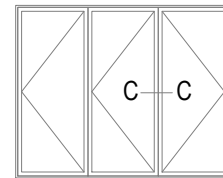
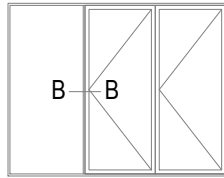
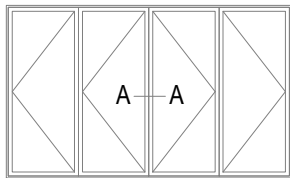




SECTION A-A



SECTION B-B



SECTION C-C

TOP HUNG HOODED GUIDE BIFOLD DOOR

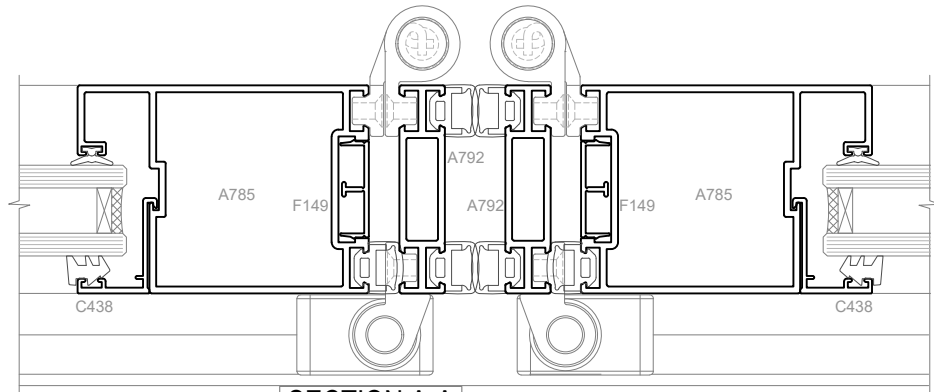
Rev 0



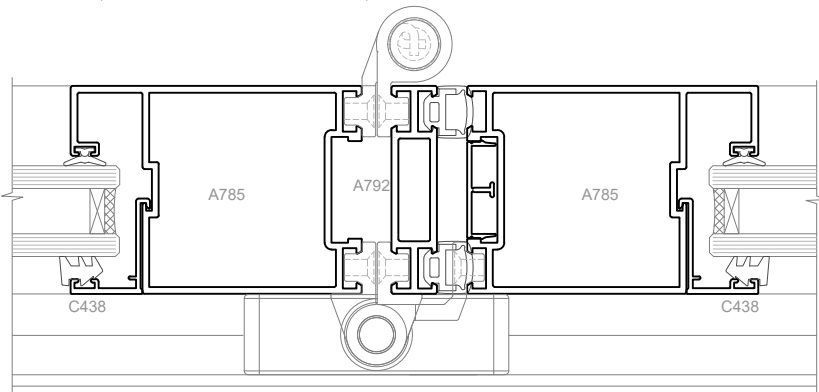
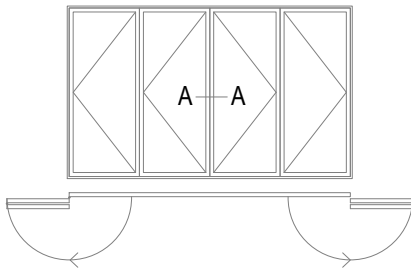
# Architectural Linear 40

Cross Sectional

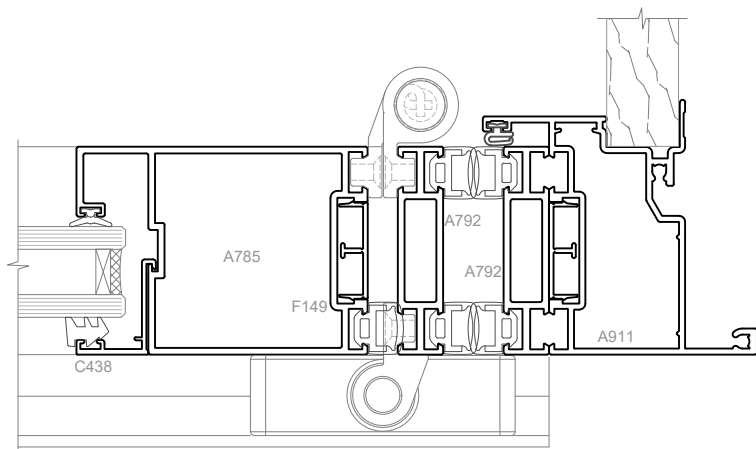
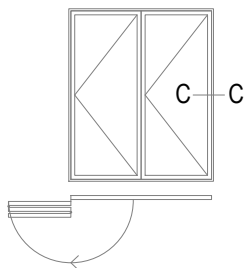
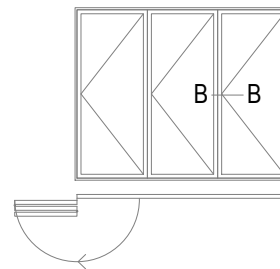
CAD Details



SECTION A-A



SECTION B-B



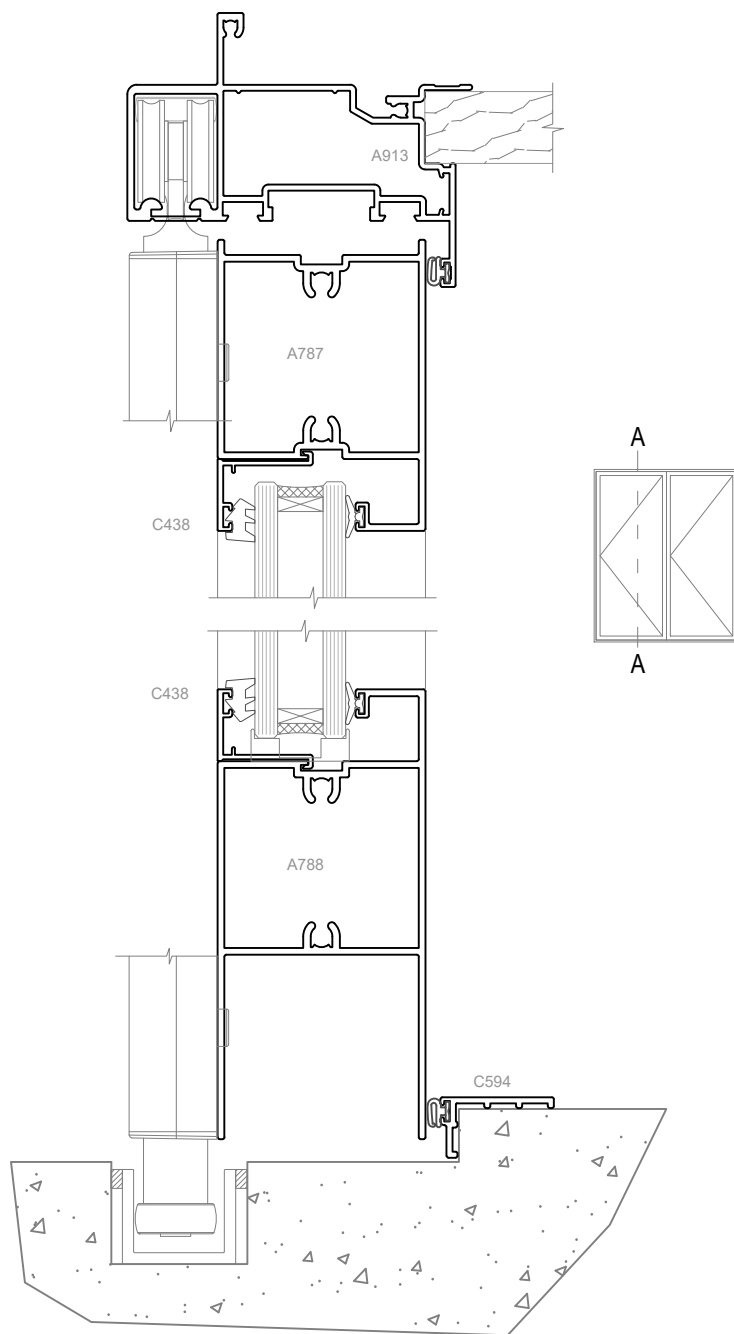
SECTION C-C

FREEFOLD

TOP HUNG HOODED GUIDE BIFOLD DOOR

Rev 0





SECTION A-A

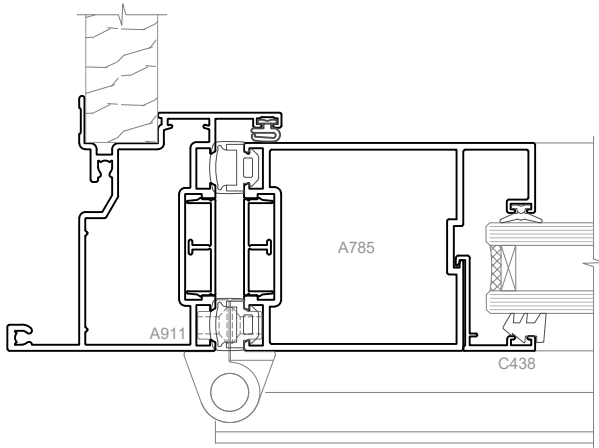
TOP HUNG NON-WEATHERED GUIDE BIFOLD DOOR

Rev 0

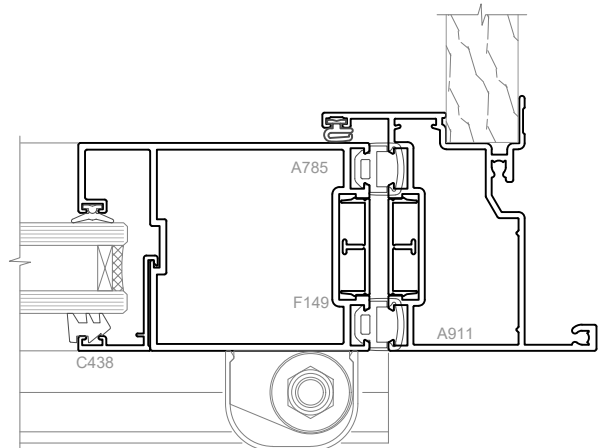


# Architectural Linear 40

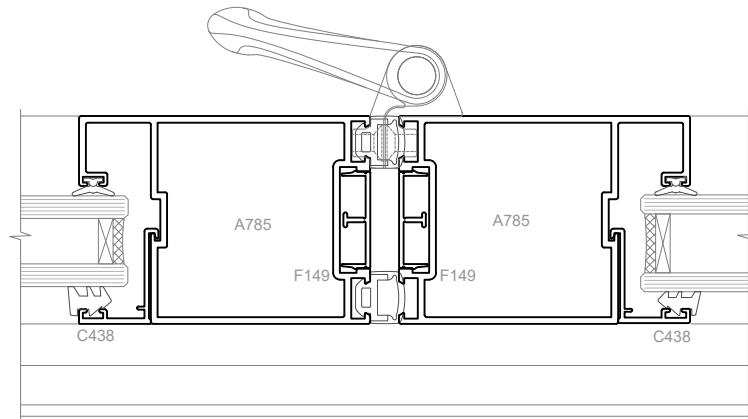
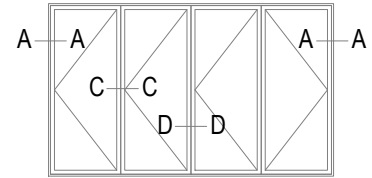
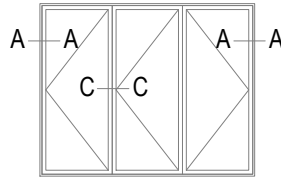
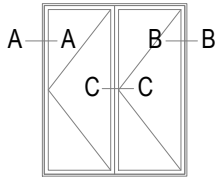
Cross Sectional  
CAD Details



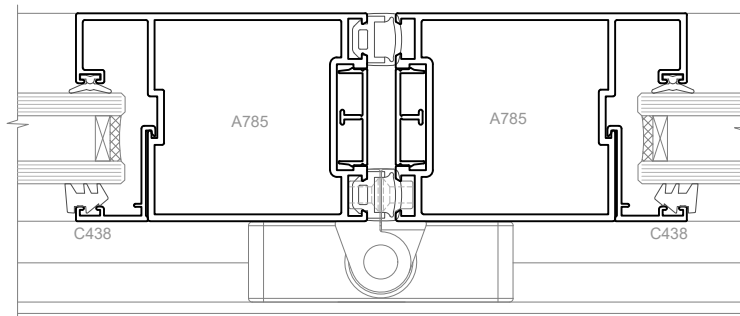
SECTION A-A



SECTION B-B



SECTION C-C



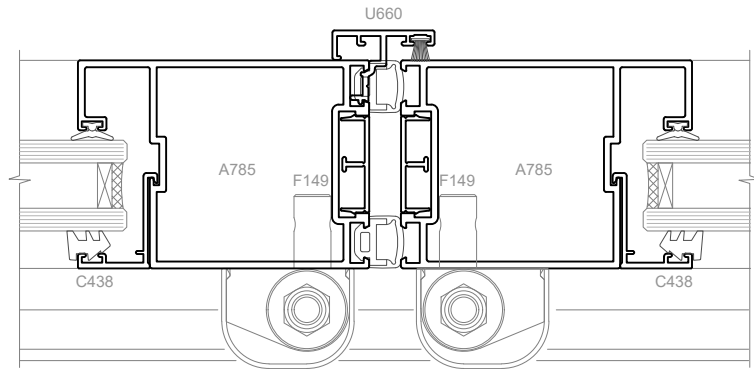
SECTION D-D

TOP HUNG NON-WEATHERED GUIDE BIFOLD DOOR

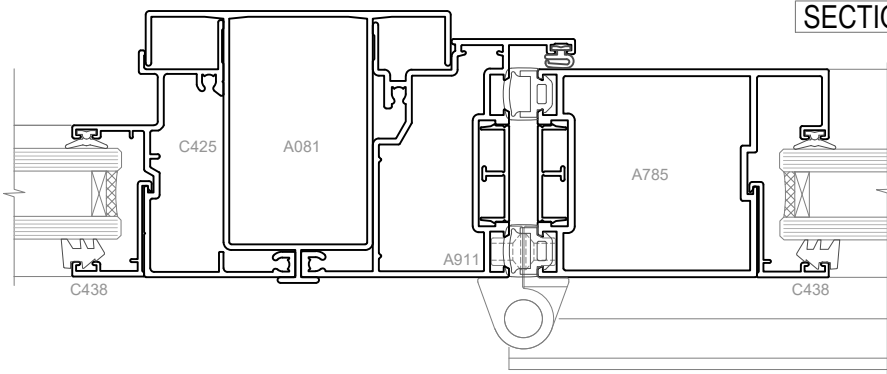
Rev 0



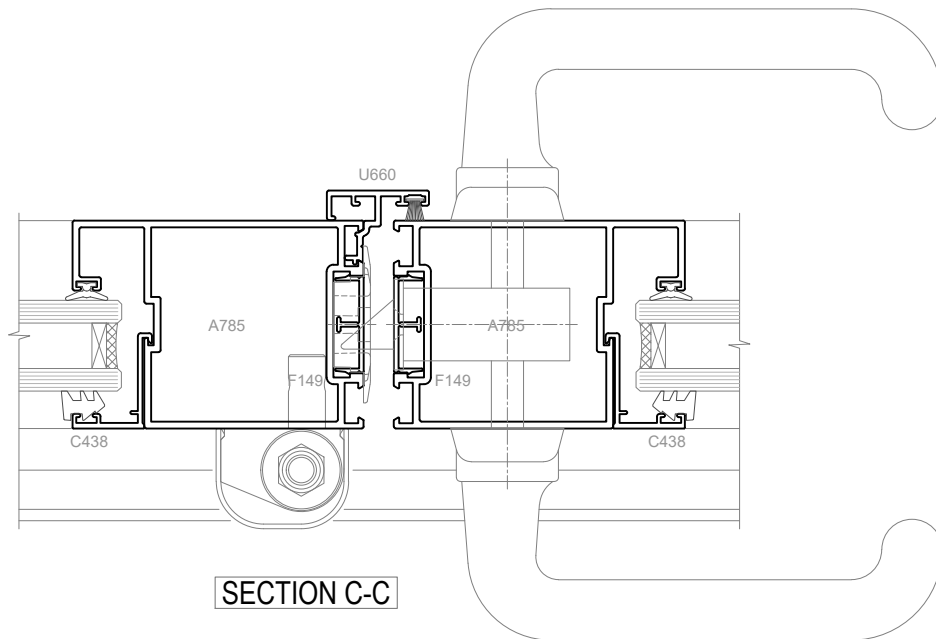
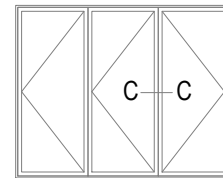
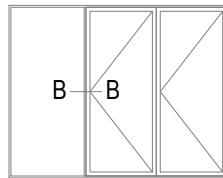
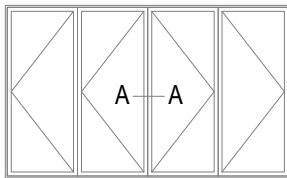




SECTION A-A



SECTION B-B



SECTION C-C

### TOP HUNG NON-WEATHERED GUIDE BIFOLD DOOR

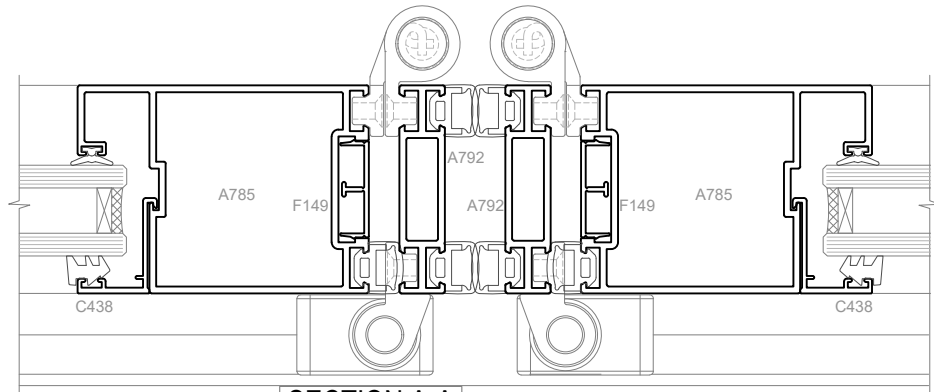
Rev 0



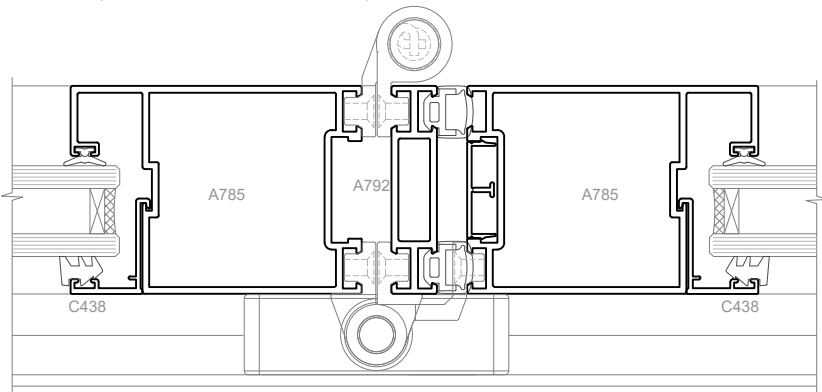
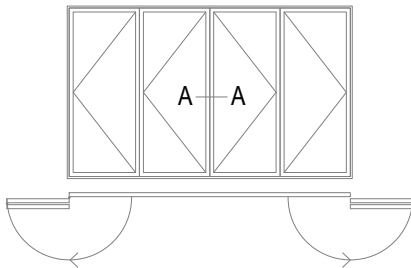
# Architectural Linear 40

Cross Sectional

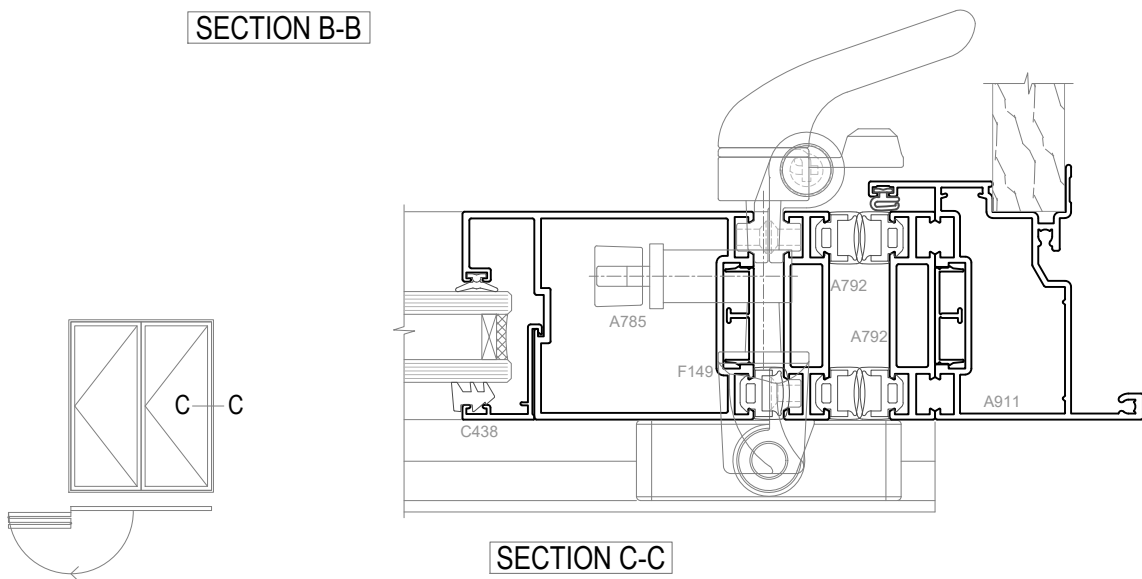
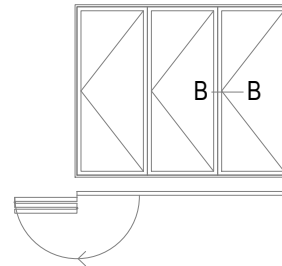
CAD Details



SECTION A-A



SECTION B-B



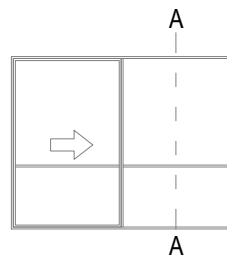
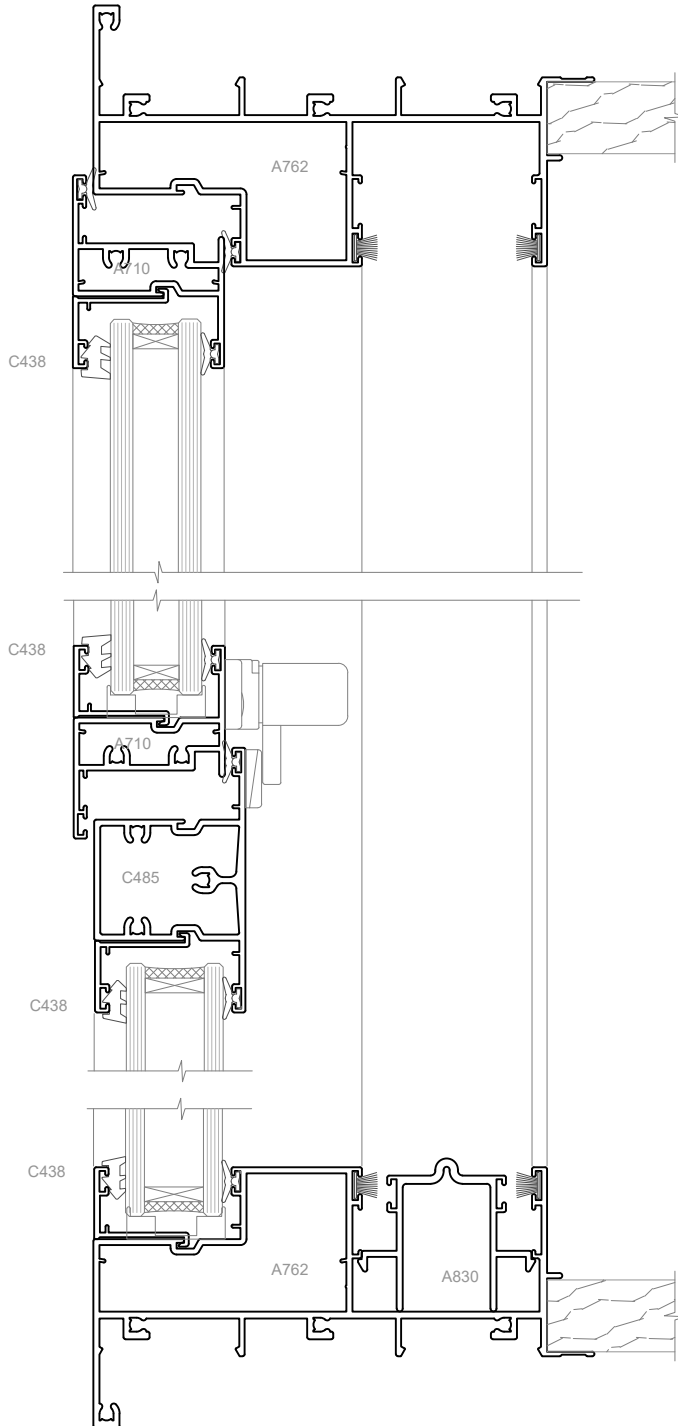
SECTION C-C

FREEFOLD

TOP HUNG NON-WEATHERED GUIDE BIFOLD DOOR

Rev 0





SECTION A-A

SLIDING DOOR

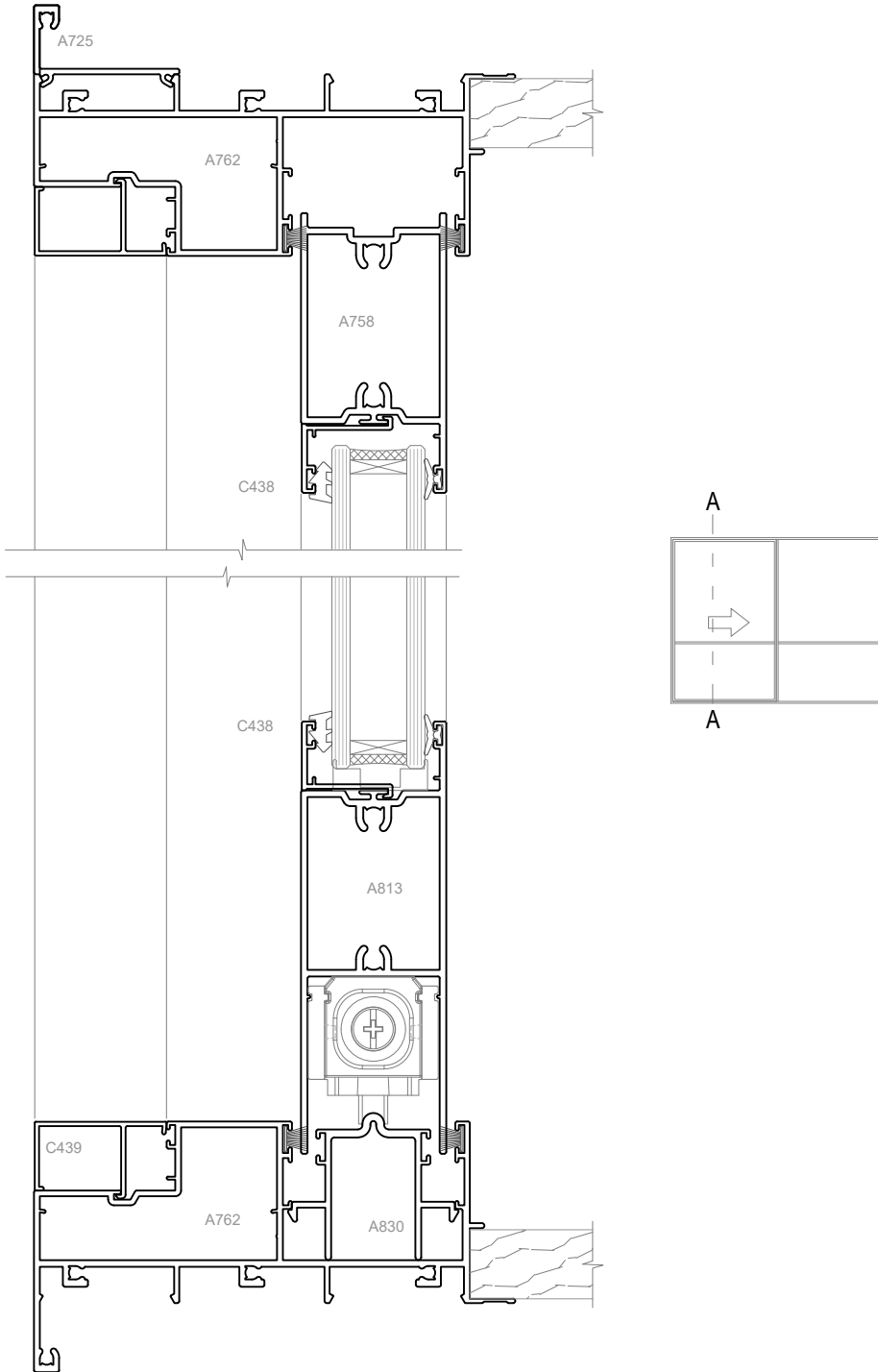
Rev 0



# Architectural Linear 40

Cross Sectional

CAD Details

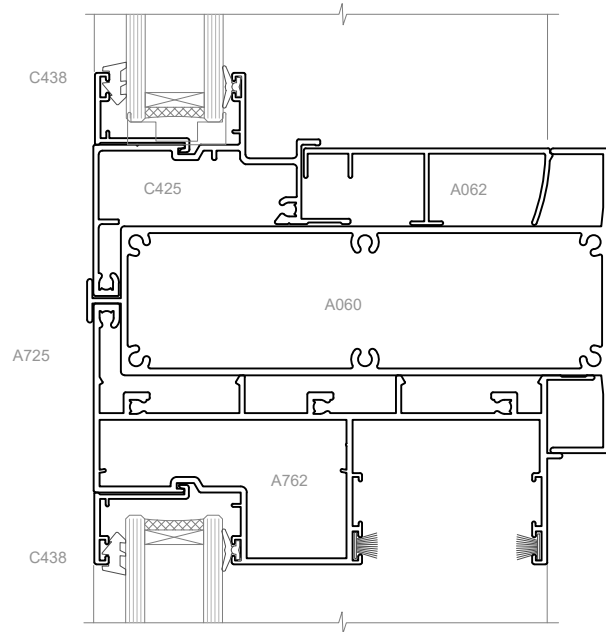
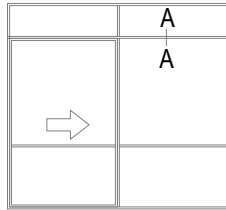


SECTION A-A

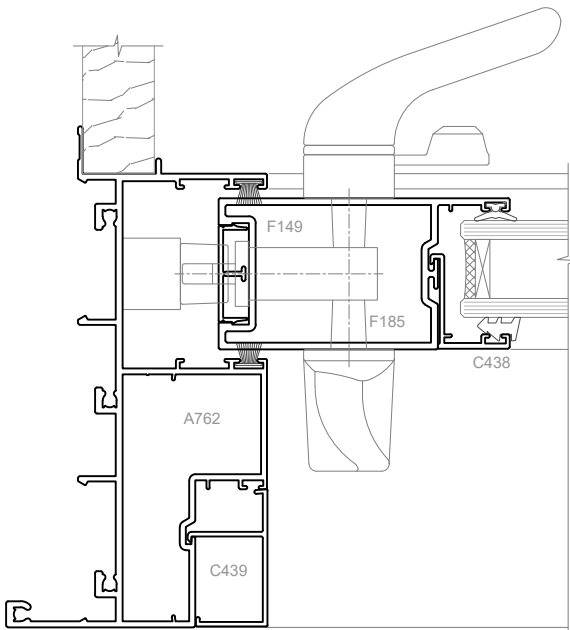
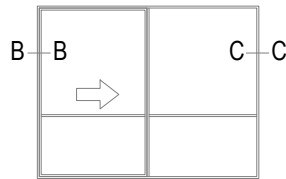
SLIDING DOOR

Rev 0

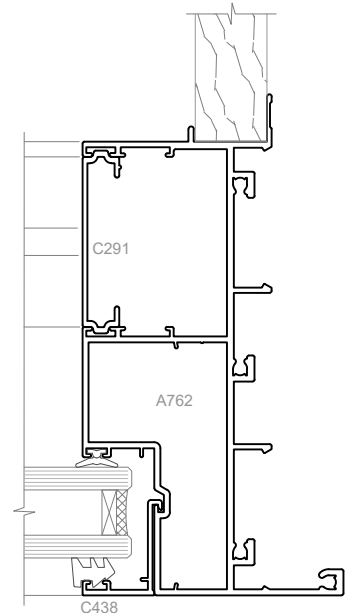




SECTION A-A



SECTION B-B



SECTION C-C

SLIDING DOOR

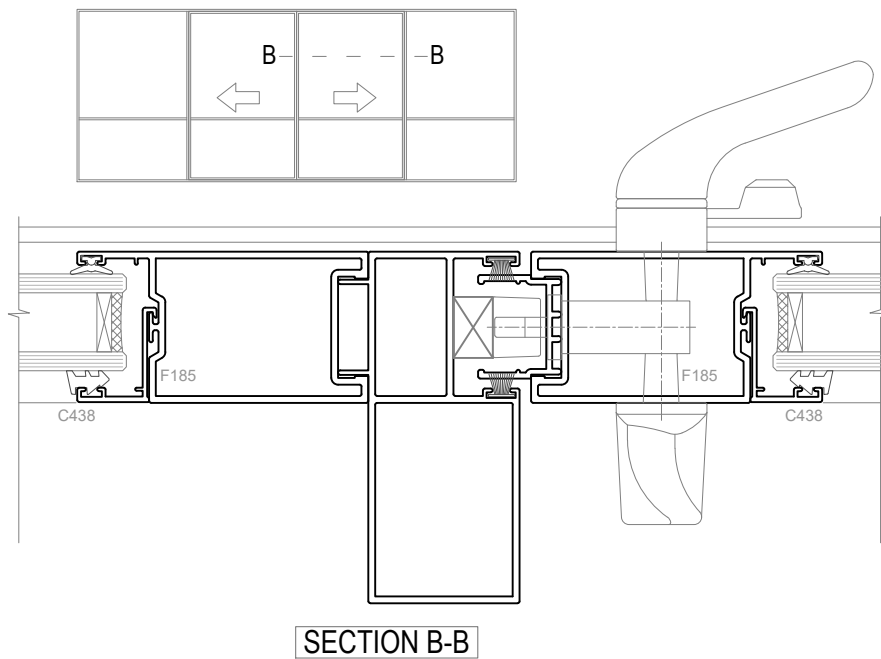
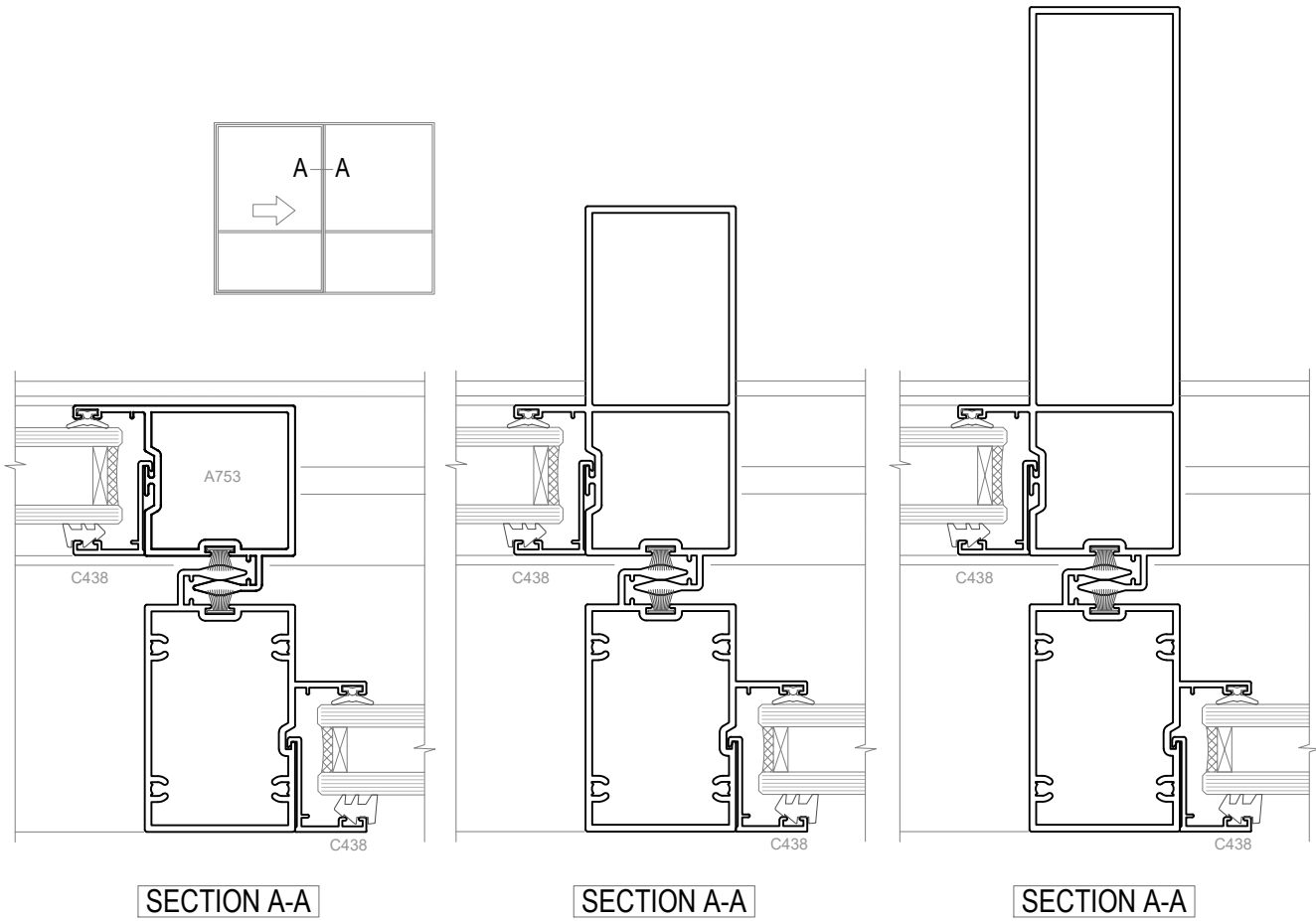
Rev 0



# Architectural Linear 40

Cross Sectional

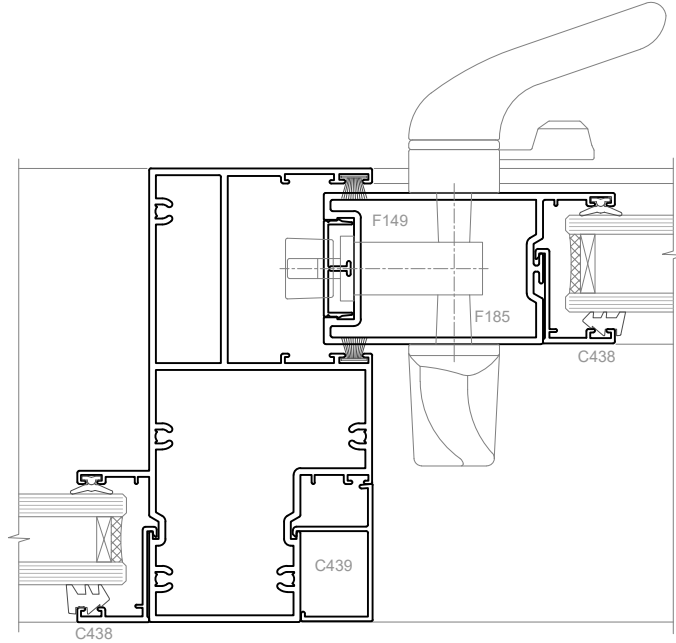
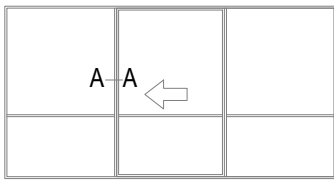
CAD Details



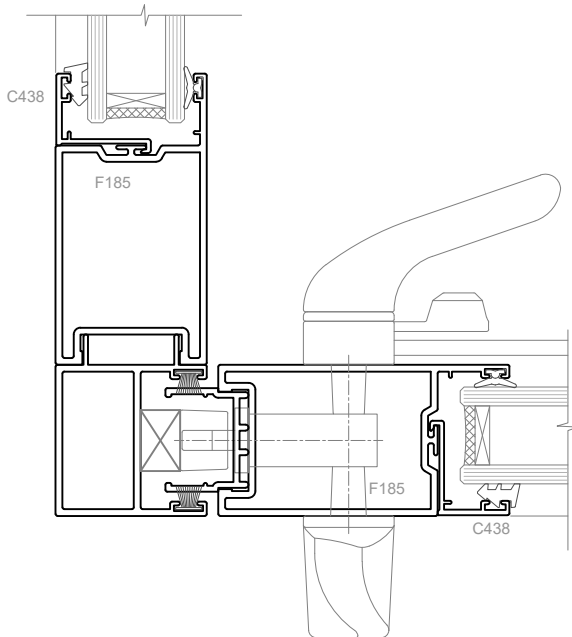
SLIDING DOOR

Rev 0

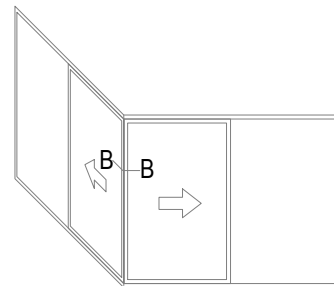




SECTION A-A



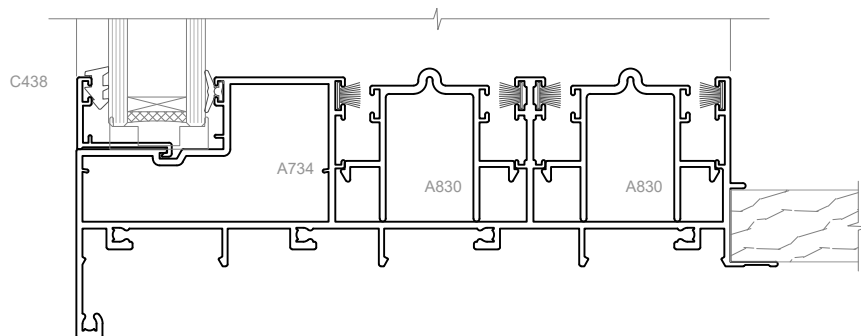
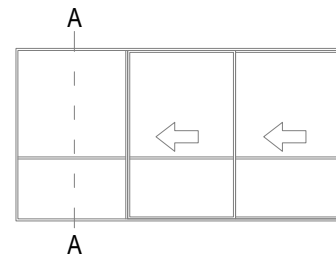
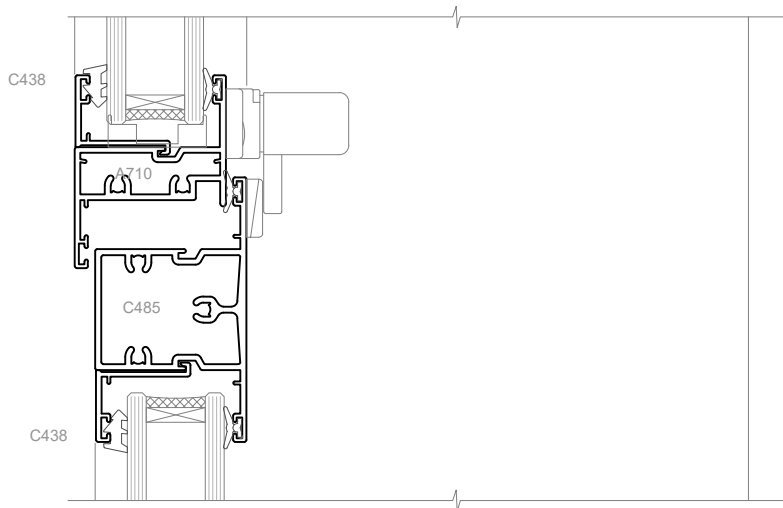
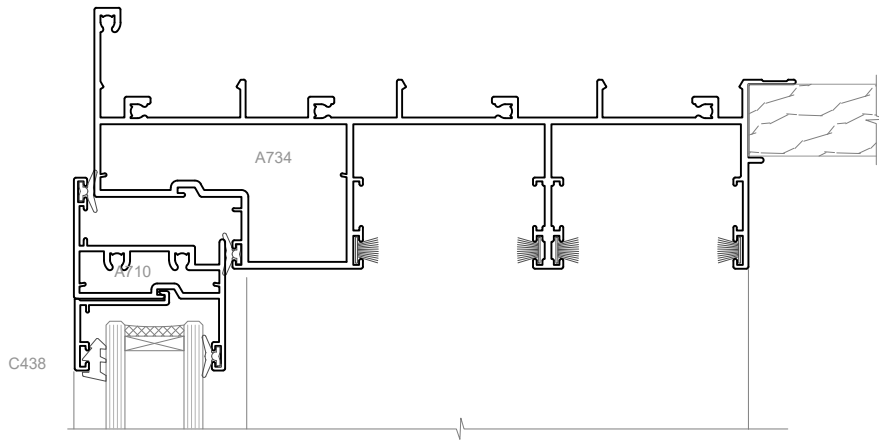
SECTION B-B



SLIDING DOOR

Rev 0

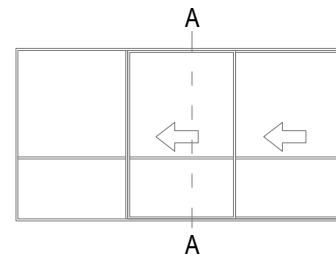
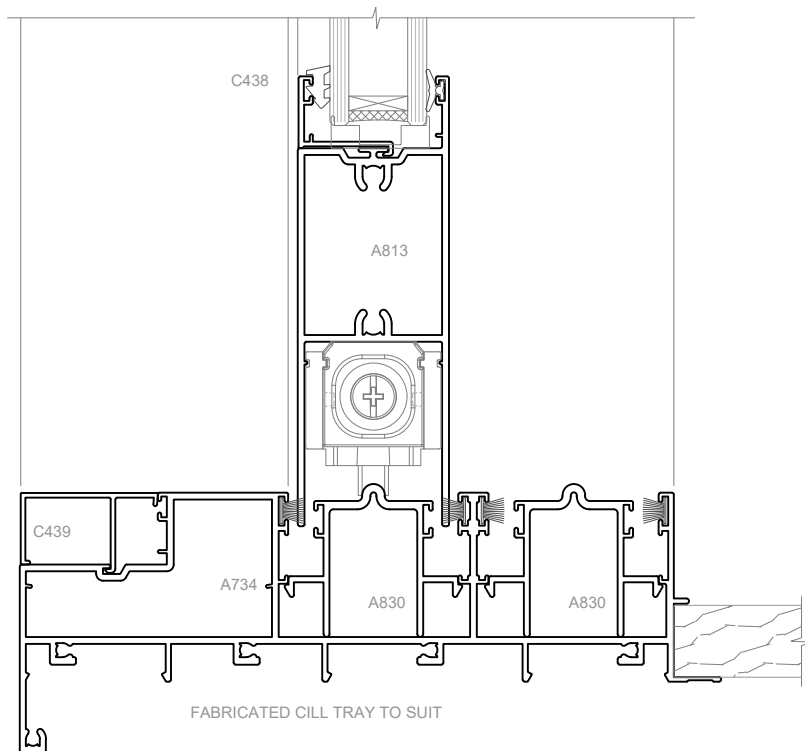
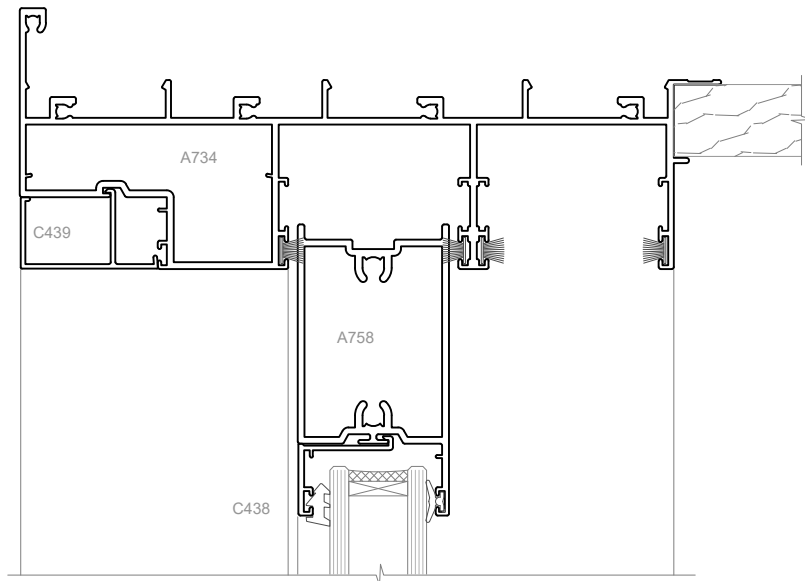




SECTION A-A

STACKING DOOR



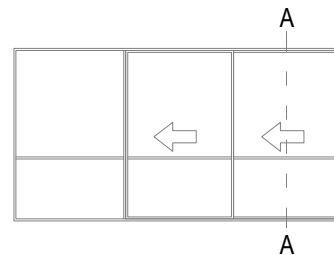
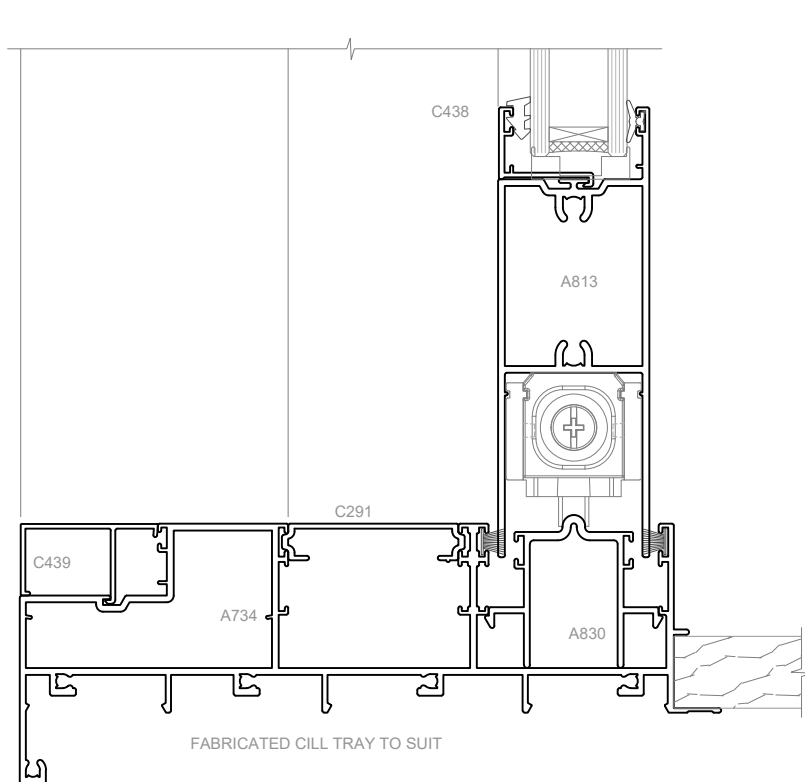
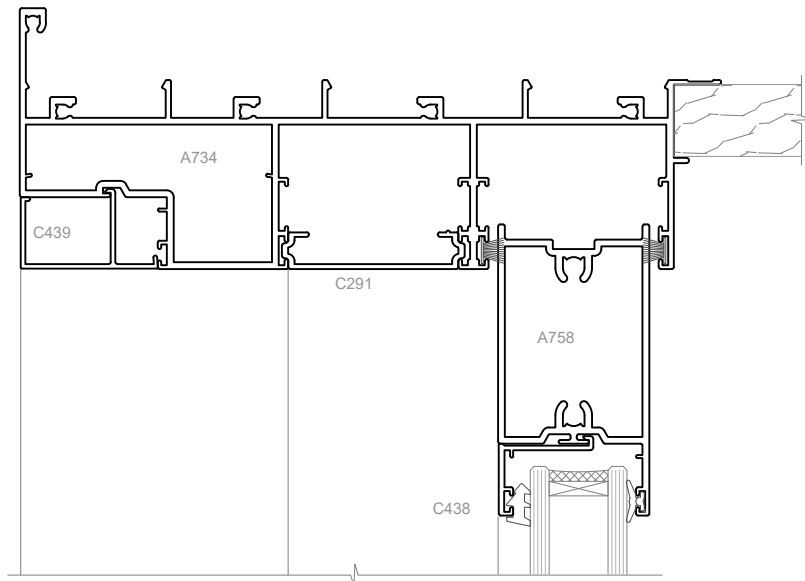


SECTION A-A

STACKING DOOR

Rev 0





SECTION A-A

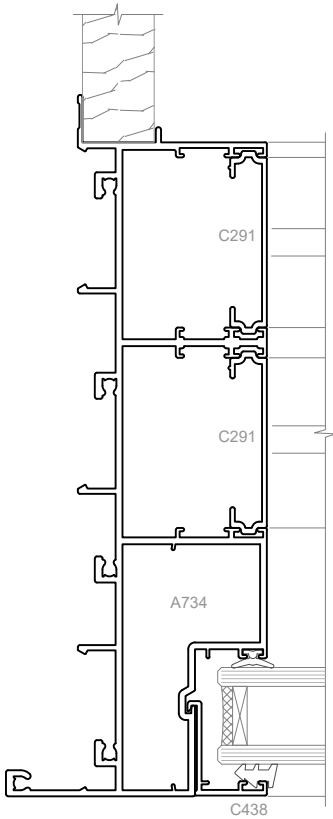
STACKING DOOR

Rev 0

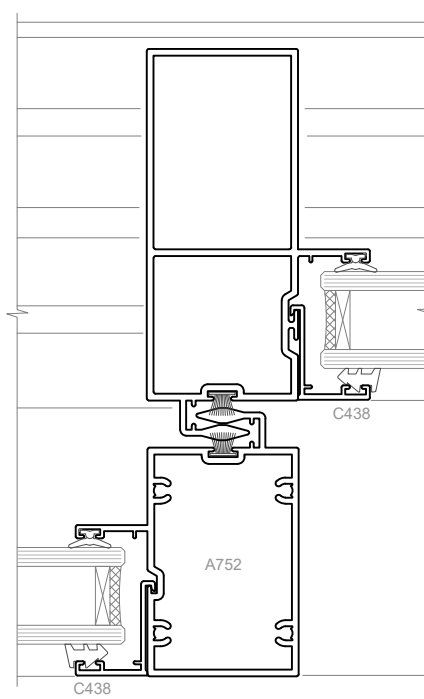


# Architectural Linear 40

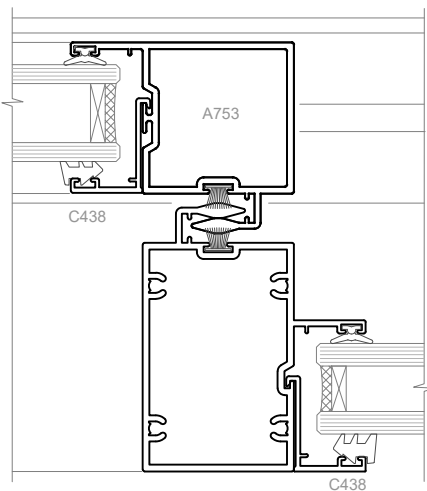
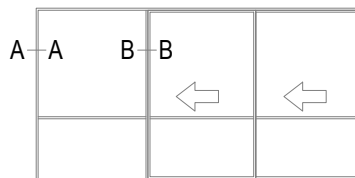
Cross Sectional  
CAD Details



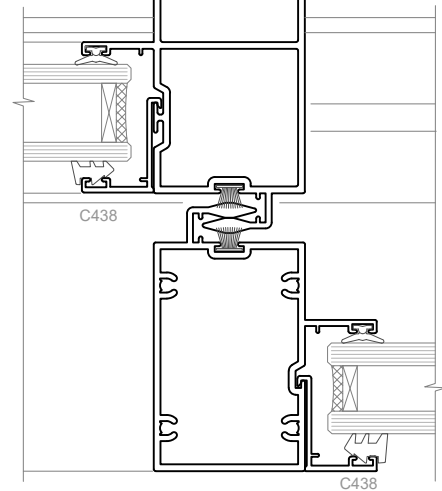
SECTION A-A



SECTION B-B



SECTION B-B

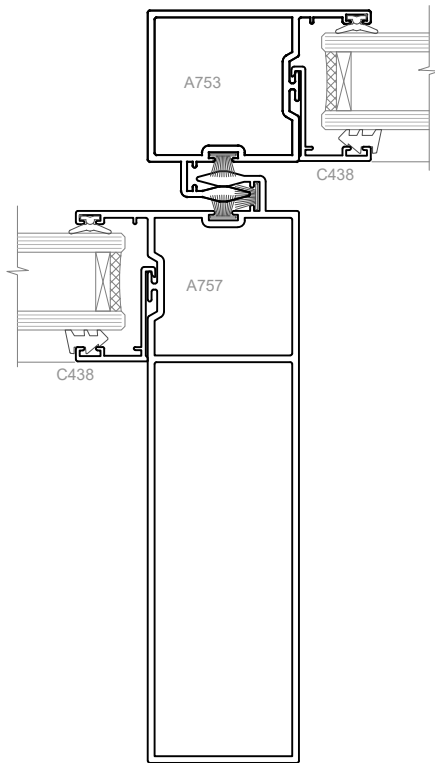


SECTION B-B

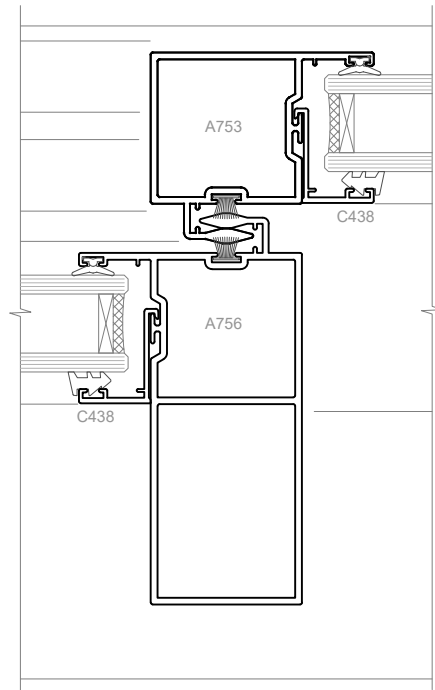
STACKING DOOR

Rev 0

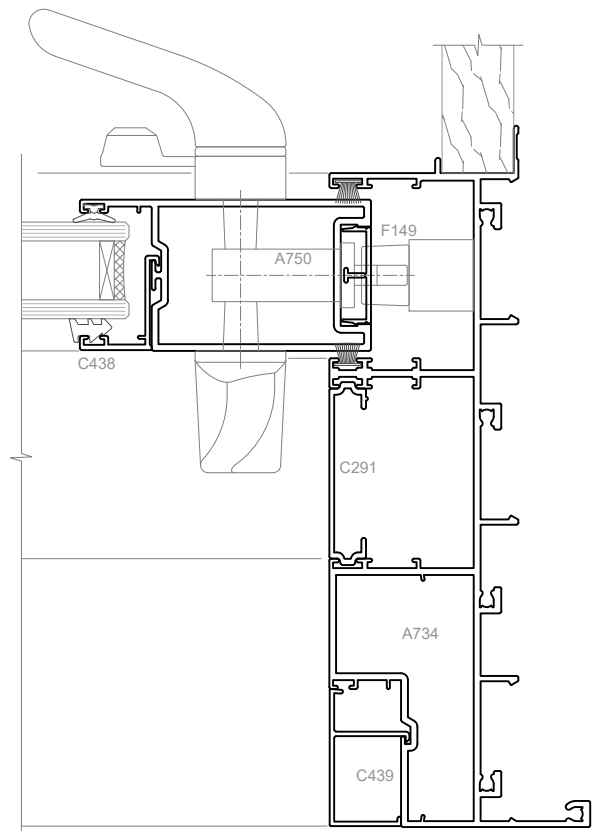
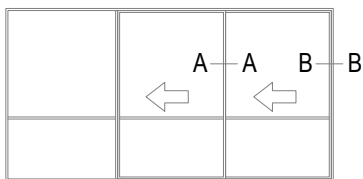




SECTION A-A



SECTION A-A



SECTION A-A

STACKING DOOR

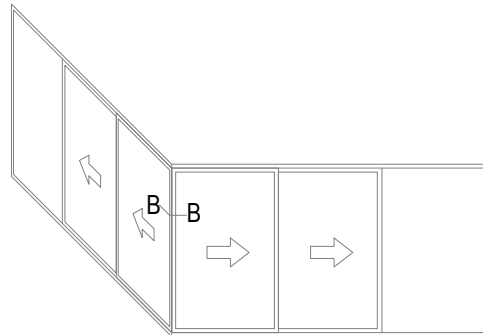
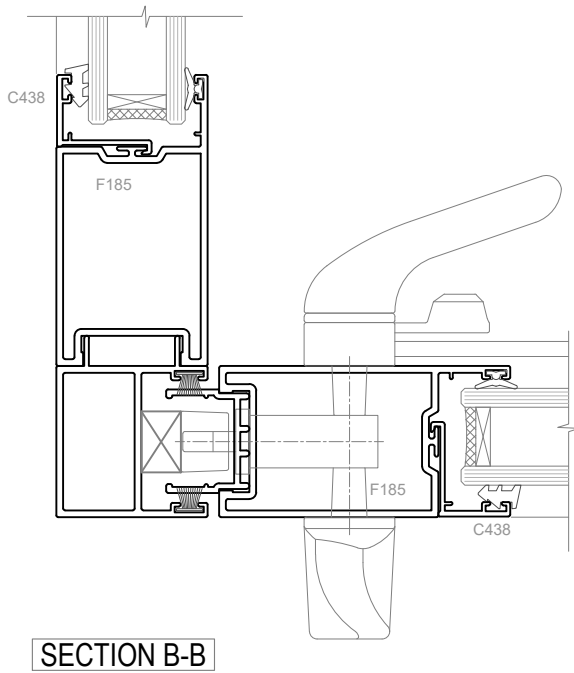
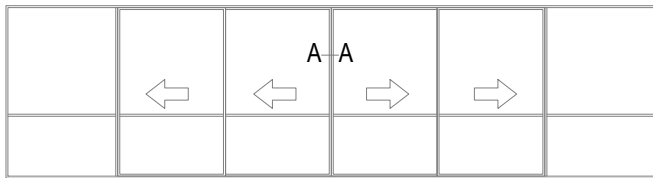
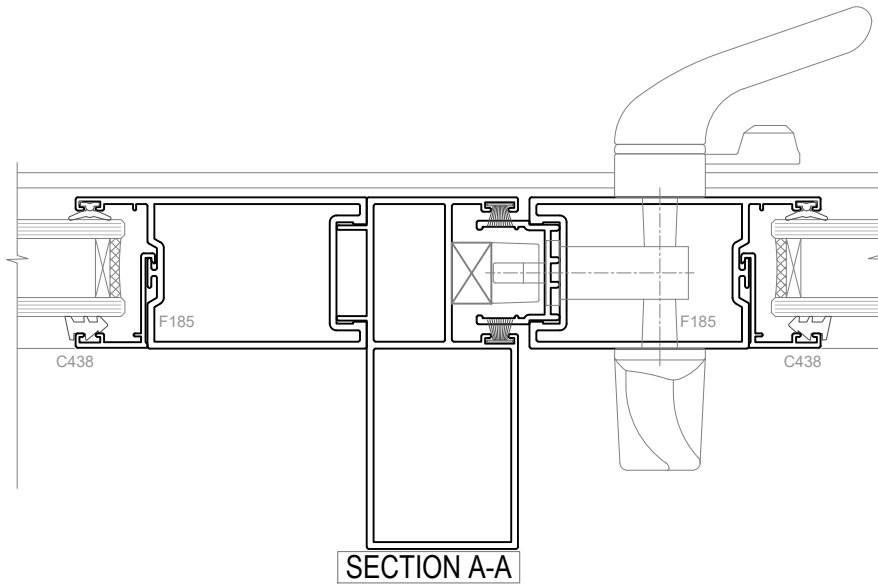
Rev 0



# Architectural Linear 40

Cross Sectional

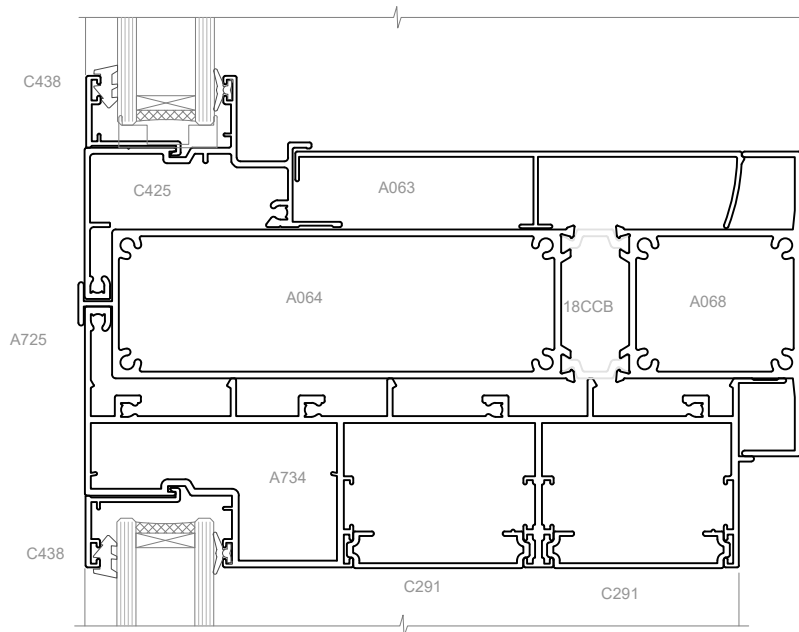
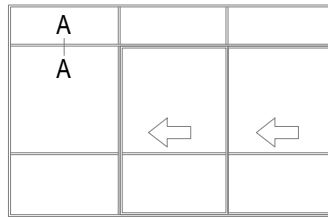
CAD Details



STACKING DOOR

Rev 0



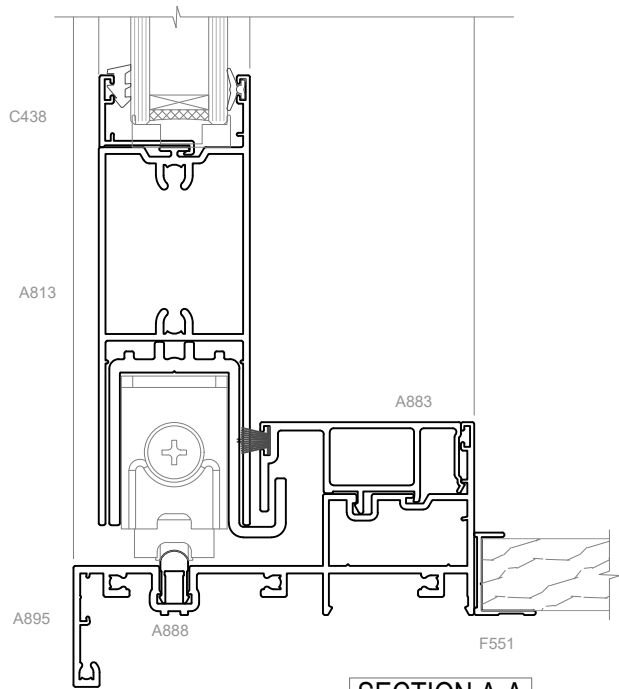
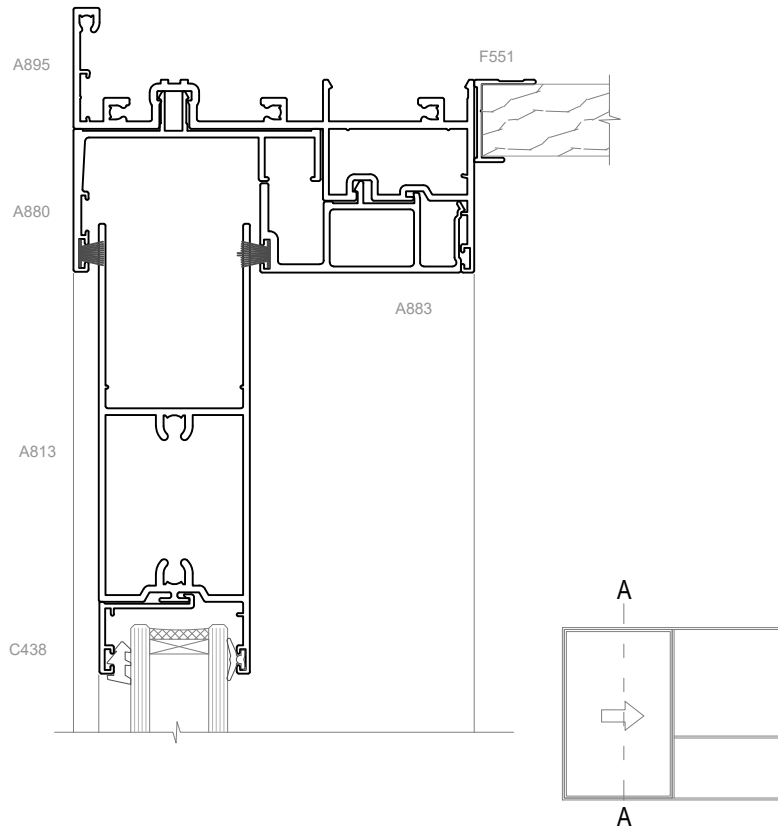


SECTION A-A

STACKING DOOR

Rev 0



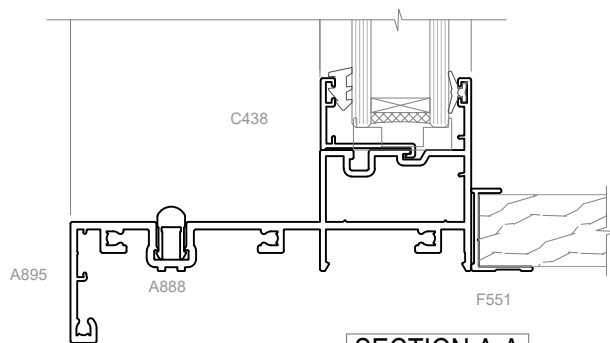
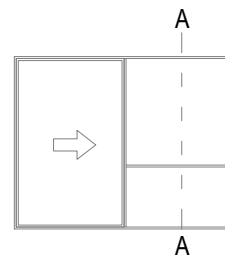
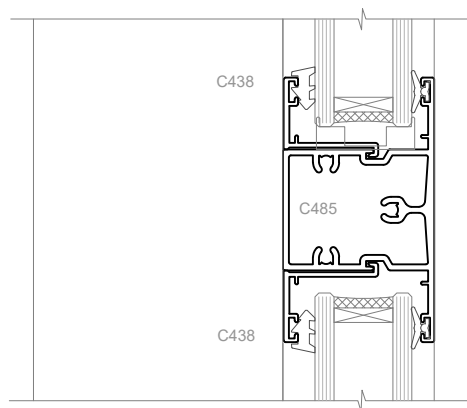
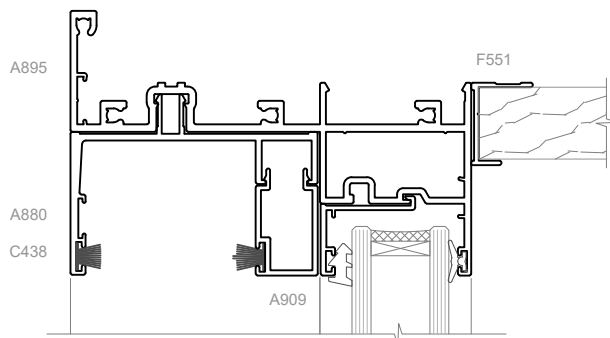


SECTION A-A

EXTERNAL SLIDERS

Rev 0

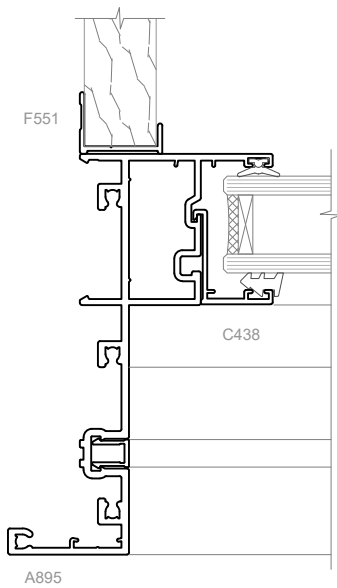
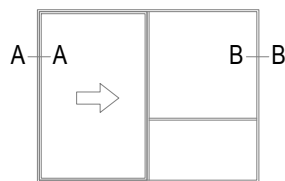




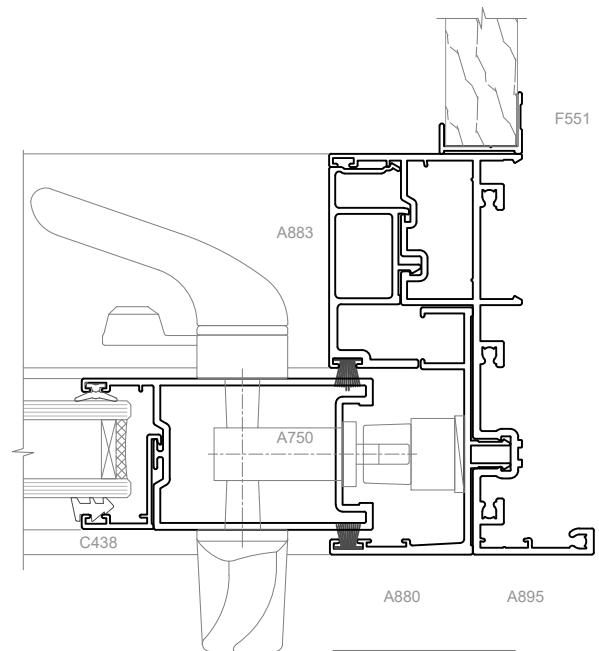
SECTION A-A

EXTERNAL SLIDERS





SECTION A-A



SECTION B-B

EXTERNAL SLIDERS

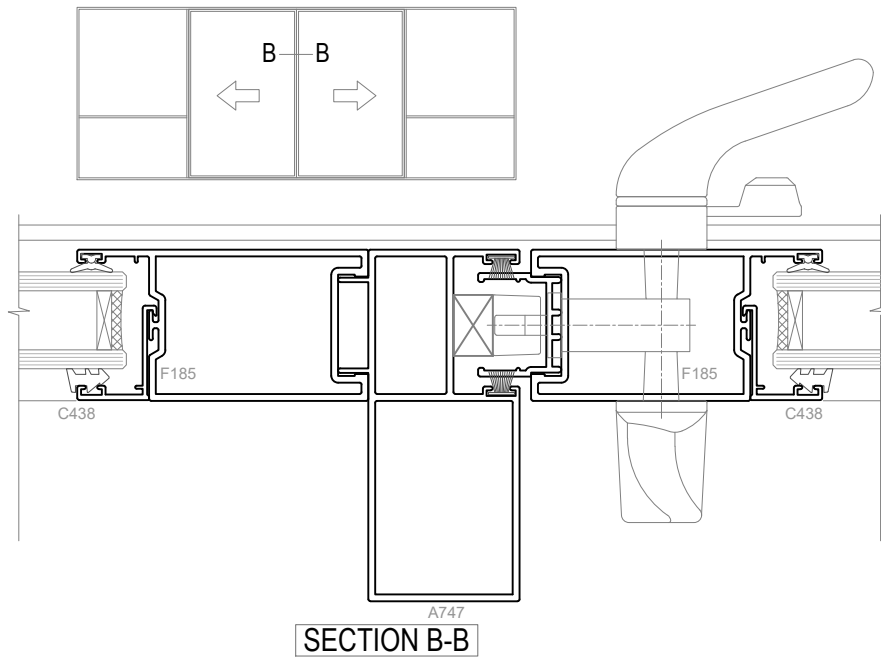
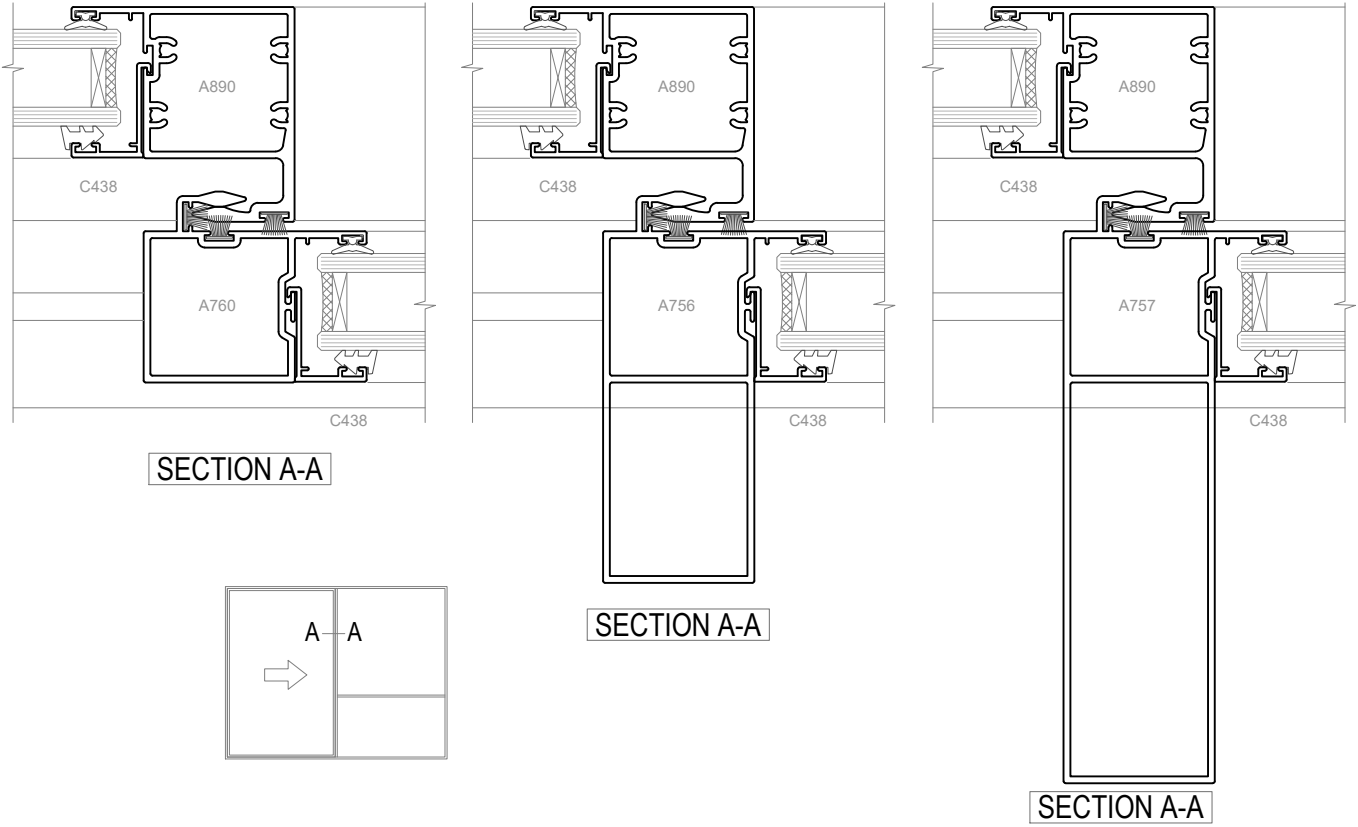
Rev 0



# Architectural Linear 40

Cross Sectional

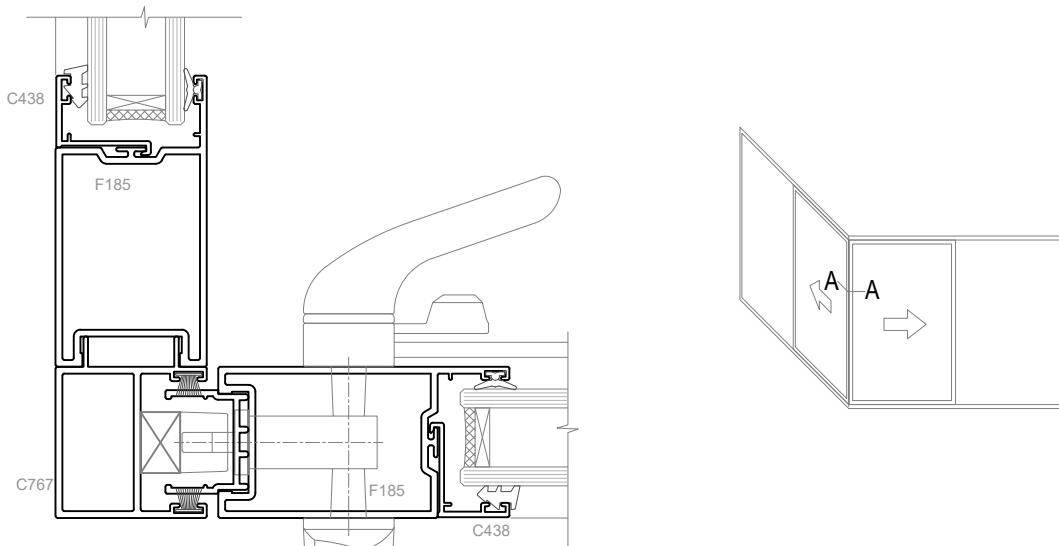
CAD Details



SLIDING DOOR

Rev 0



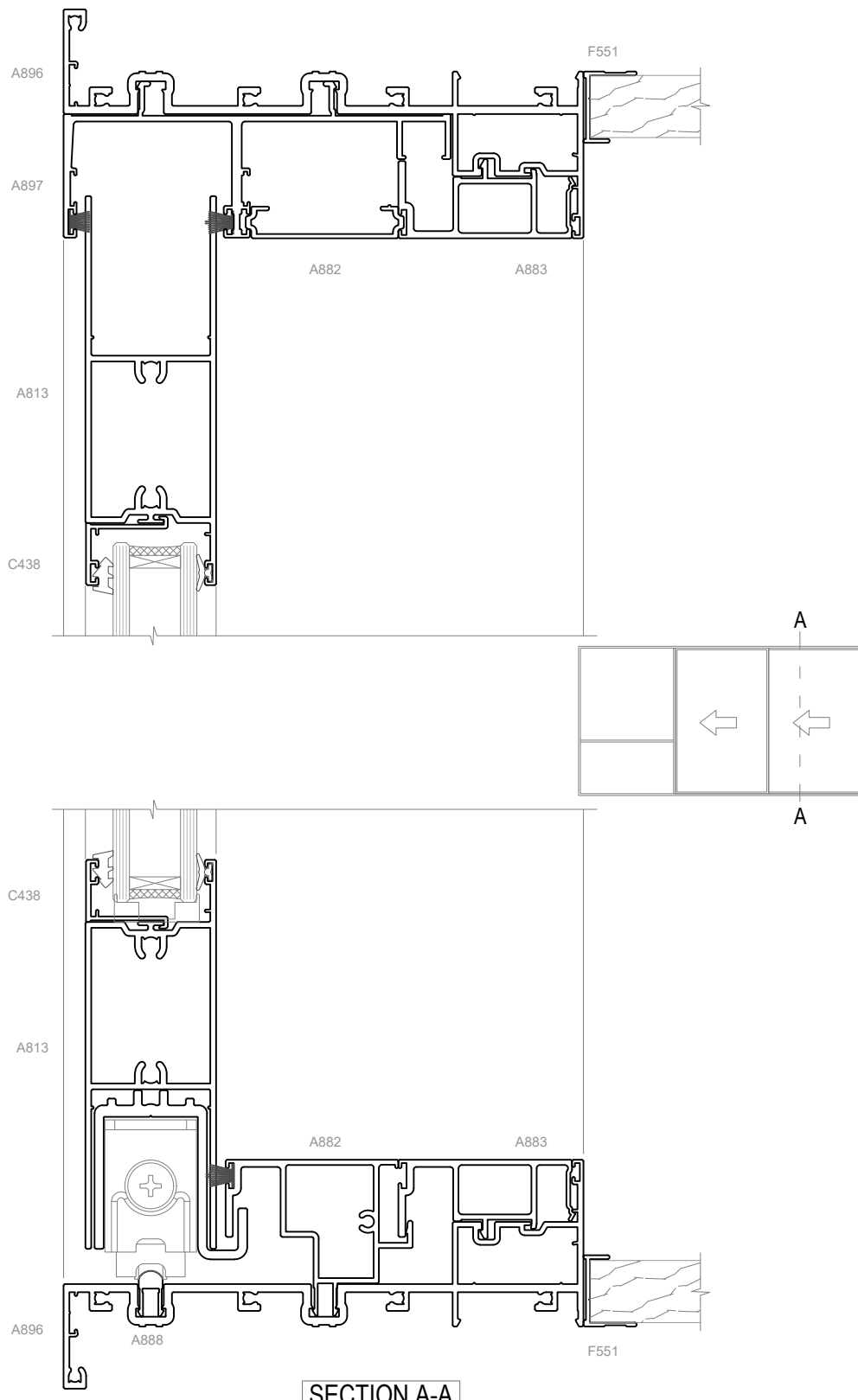


SECTION C-C

SLIDING DOOR

Rev 0

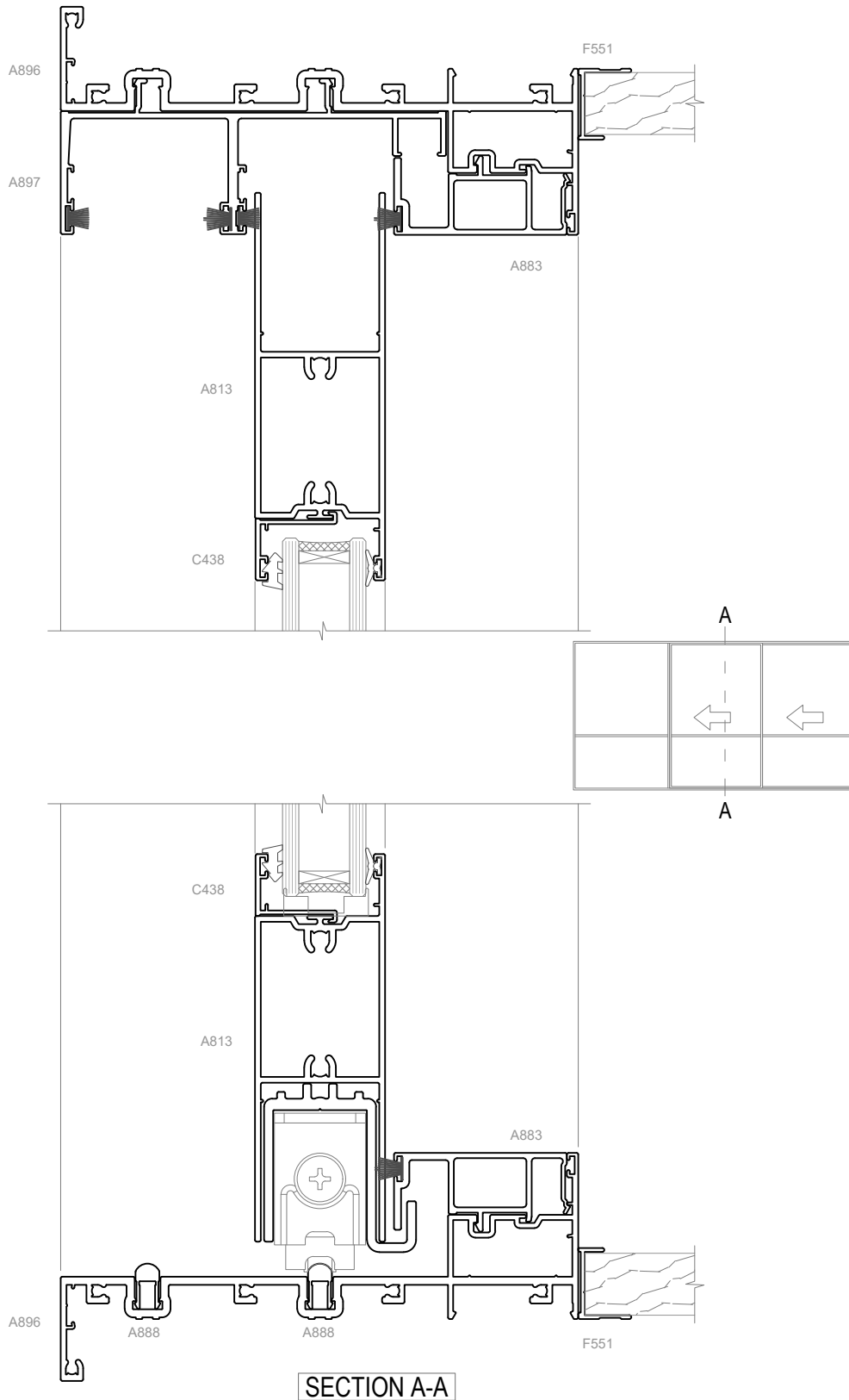




SECTION A-A

EXTERNAL STACKERS

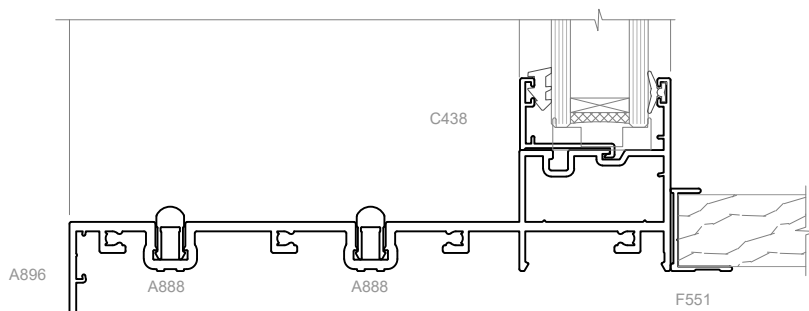
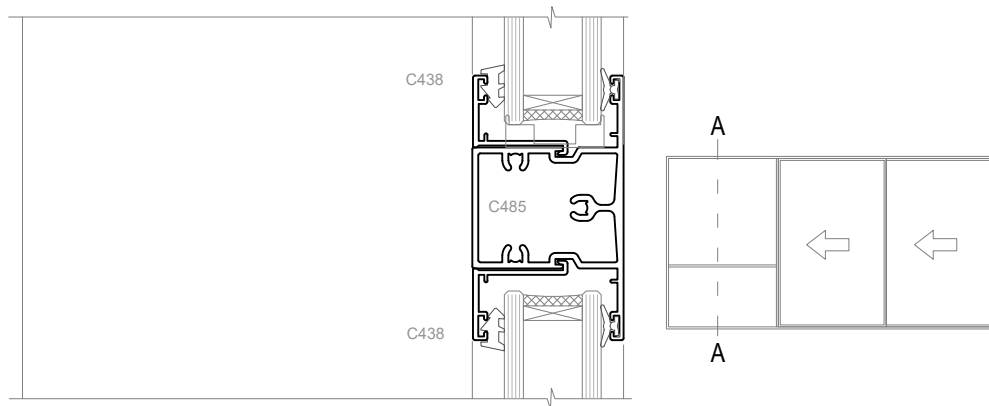
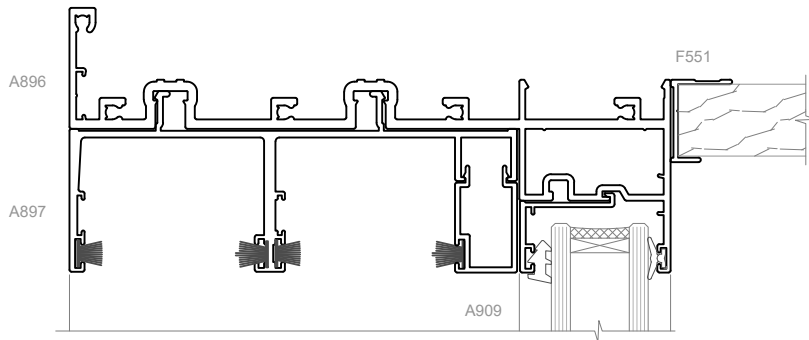
Rev 0 |



EXTERNAL STACKERS

Rev 0





SECTION A-A

EXTERNAL STACKERS

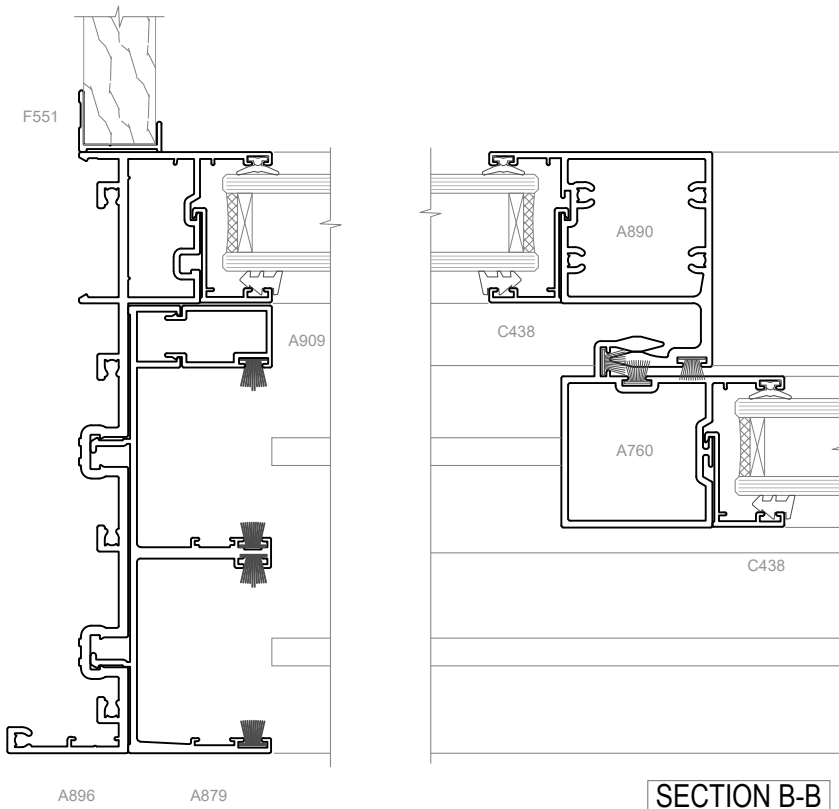
Rev 0



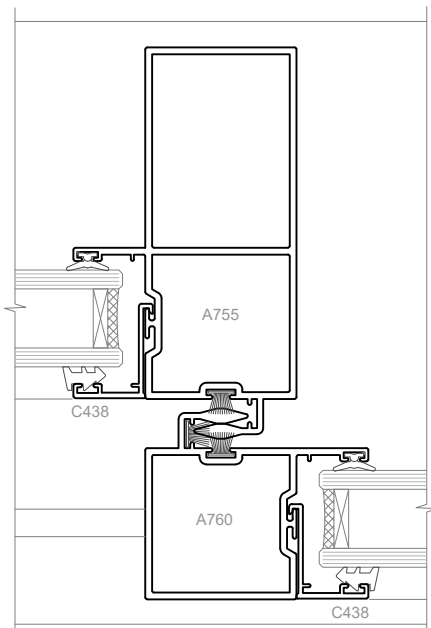
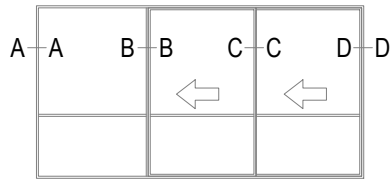
# Architectural Linear 40

Cross Sectional

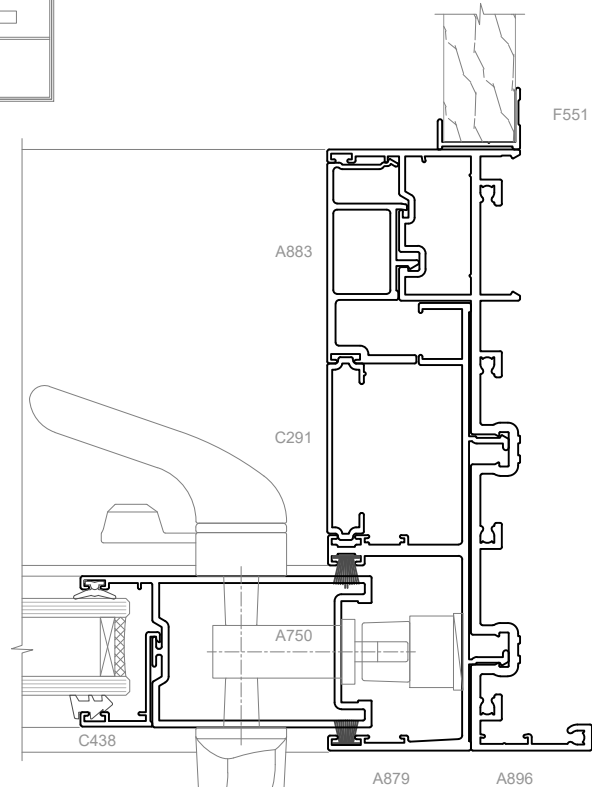
CAD Details



SECTION A-A



SECTION C-C



SECTION D-D

EXTERNAL STACKERS

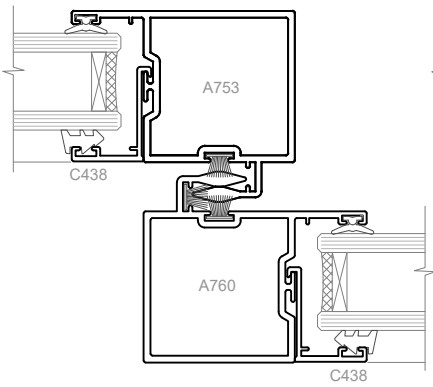
Rev 0



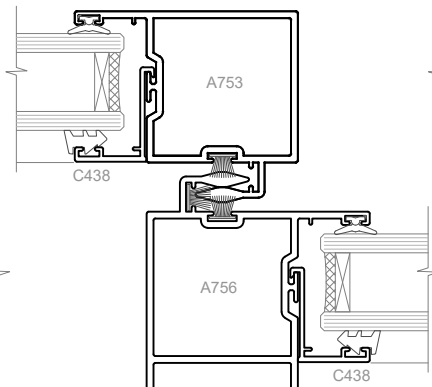
# Architectural Linear 40

Cross Sectional

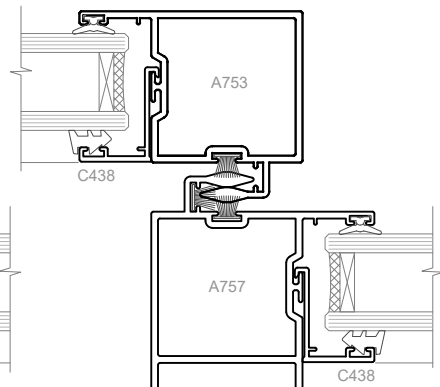
CAD Details



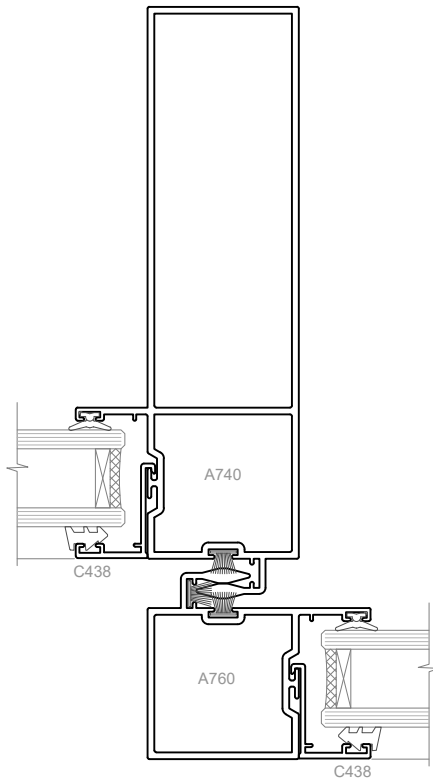
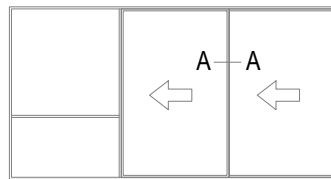
SECTION A-A



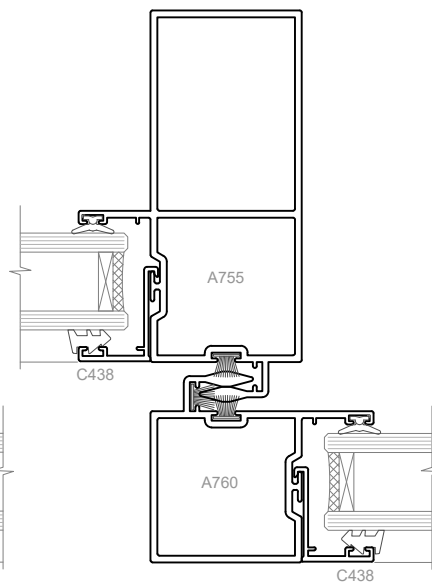
SECTION A-A



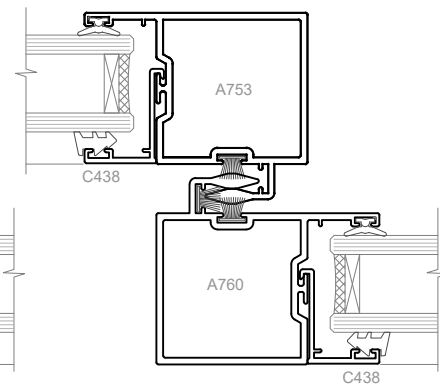
SECTION A-A



SECTION A-A



SECTION A-A



SECTION A-A

EXTERNAL STACKERS

Rev 0

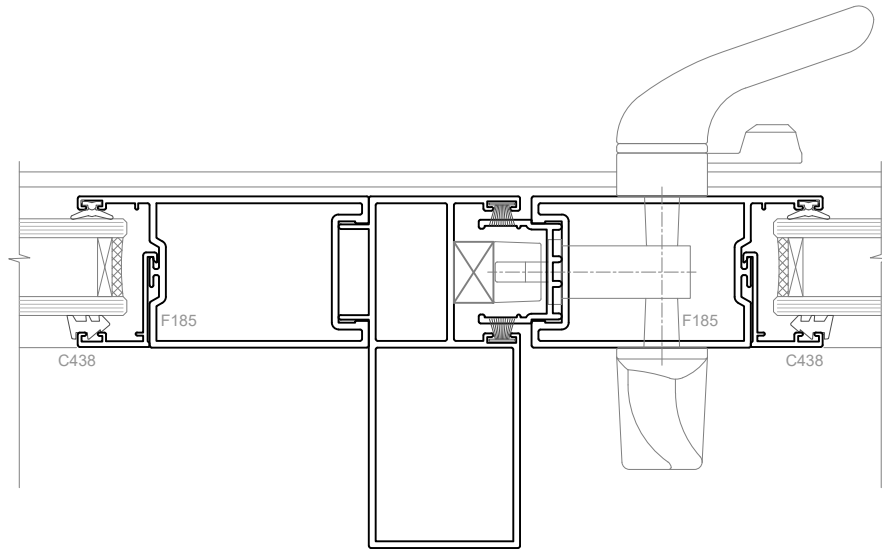




# Architectural Linear 40

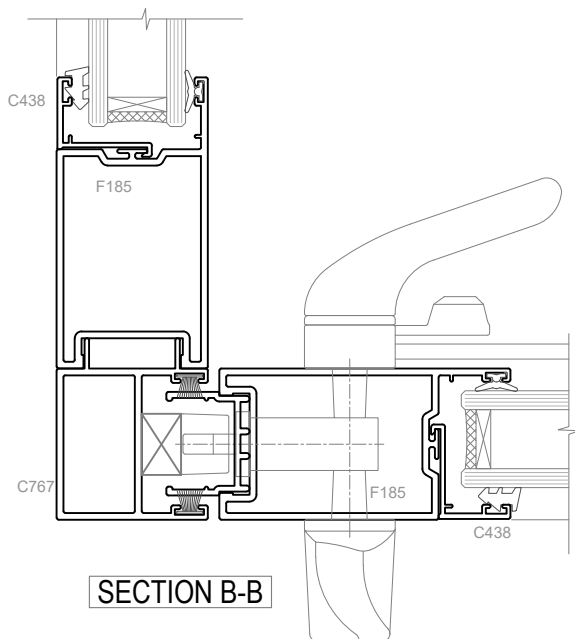
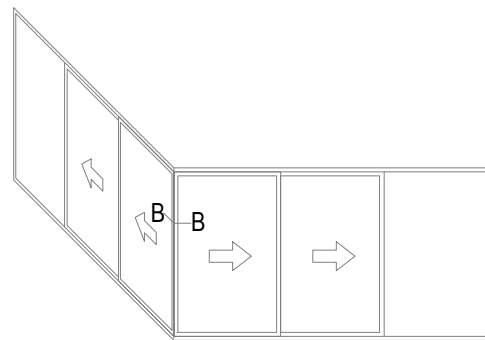
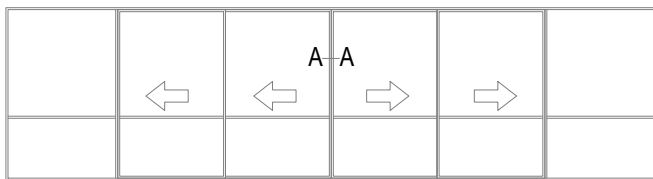
Cross Sectional

CAD Details



A747

SECTION A-A



SECTION B-B

SLIDING DOOR

Rev 0

