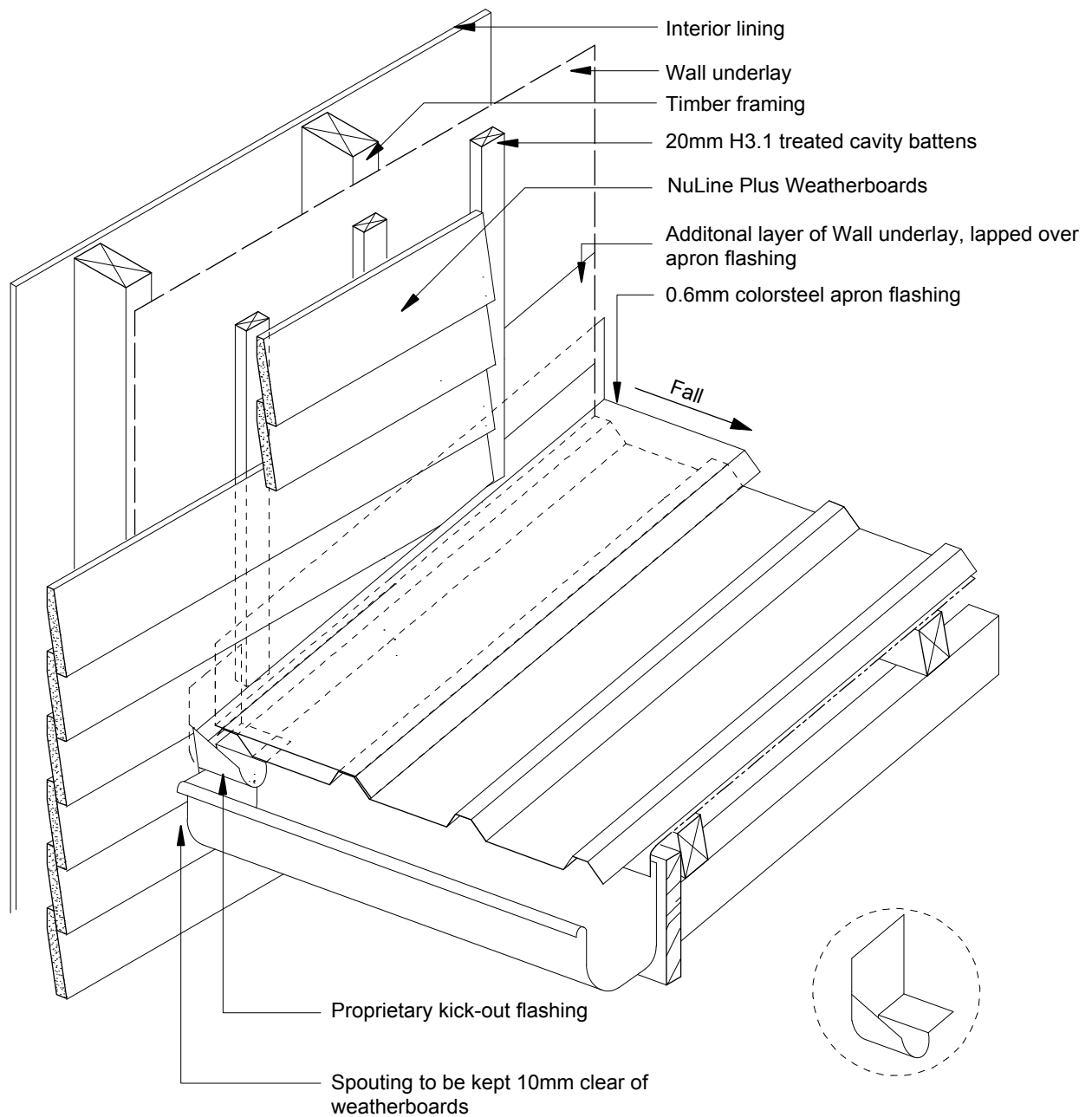


**BGC****Fibre Cement**

PROFILE NuLine™ Plus Weatherboards

DATE Sep 2012

DETAIL Gutter To Wall Junction  
Detail Cavity Construction

SCALE 1:5 @ A4

DETAIL NO. NU-21