

GIB® Goldline™ Platinum

Tape-On Trims

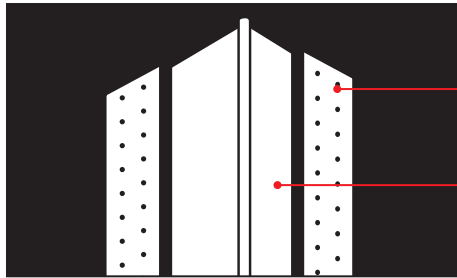


- Made with a unique, high quality paper laminated to various metal forms
- Galvanised metal provides maximum strength and protection
- Strong paper tape provides reinforcement to prevent cracking
- Excellent paper adhesion
- Quickly installed without fasteners

Introduction

GIB® Goldline™ Platinum paper-faced metal trims are made with a unique, high quality paper laminated to various metal forms. The metal provides maximum strength and protection for the corner, while the paper provides reinforcement to prevent cracking caused by the movement or shrinkage of framing members. The result is a clean, precise corner that is long lasting, provides superior resistance to edge cracking, rust resistance and is not subject to fastener popping.

Features

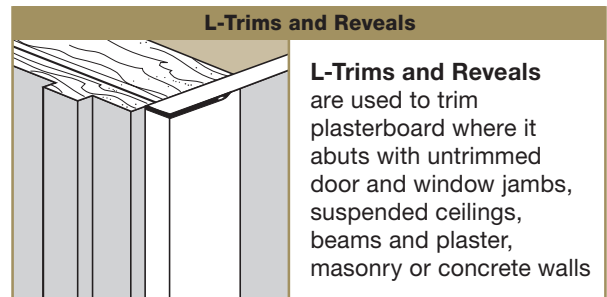
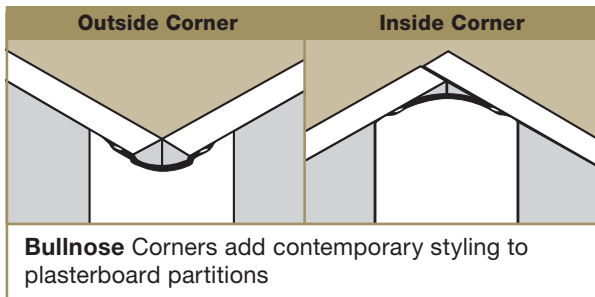
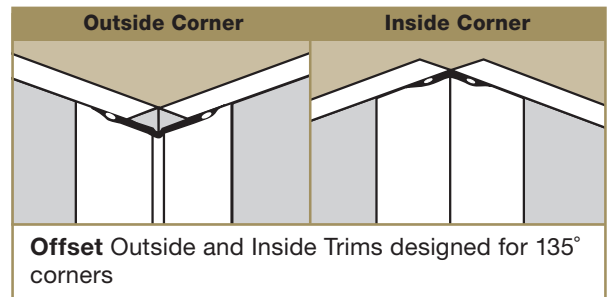
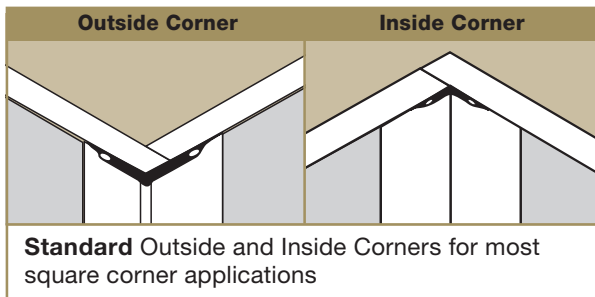


Strong paper tape provides reinforcement to prevent cracking caused by movement or shrinkage of framing.

Galvanised metal provides maximum strength and protection for corners and increased rust resistance.

- GIB® Goldline™ Platinum's paper is impervious to scuffing, fluffing and damages caused by sanding and plasterboard knives and trowels.
- The paper flanges create reinforcement against cracking caused by movement and shrinkage of framing members.
- GIB® Goldline™ Platinum tape-on trims are easily installed using GIB® joint compound so nail popping is not a problem.
- Paper-face provides superb chip resistance due to excellent compound and paint adhesion.
- Paper-face greatly reduces photographing and flash through on bullnose assemblies.
- Galvanized coated steel provides exceptional resistance against corrosion, while the high quality chemistry provides maximum strength.
- Easy to adjust during application to ensure a clean, precise corner that is long lasting.
- Available in a wide variety of widths and profiles to suit any plasterboard application.
- Meet or exceed specifications laid out in ASTM C1047.

Applications



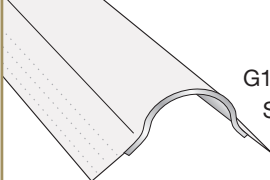
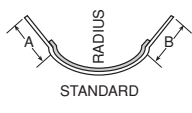
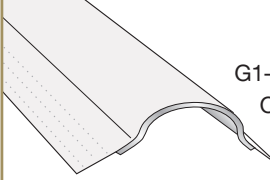

Bullnose Tape-On Trims



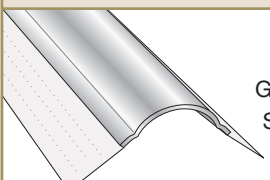
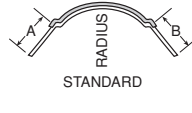
GIB® Goldline™ Platinum Bullnose Tape-On Trims create a smooth rounded corner giving a sense of openness and contemporary style to any room. The bullnose profile also assists with safety around the home. Any knocks or impact to the rounded corners are less likely to cause injury and/or chip the corner.

GIB® Goldline™ Platinum Bullnose Tape-On Trims are suitable for 10mm, 13mm and 16mm plasterboard and are quickly and easily installed using GIB® joint compound. The result is a crack resistant corner that is not subject to fastener popping. Available in outside/inside 90° and outside 135° off angle corners.

Bullnose Tape-On Outside Corner

TYPE	DIMENSIONS			PROFILE	AVAILABILITY
	A	RADIUS	B		
 <p>G1-B OUTSIDE STANDARD</p>	22mm	19mm	22mm	 <p>STANDARD</p>	2.4m, 2.7m, 3.0m
 <p>G1-BO OUTSIDE OFF ANGLE</p>	25mm	19mm	25mm	 <p>OFF ANGLE</p>	3.0m

Bullnose Tape-On Inside Corner

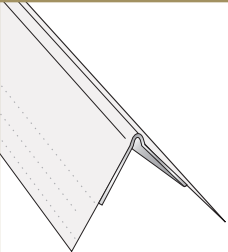
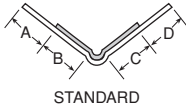
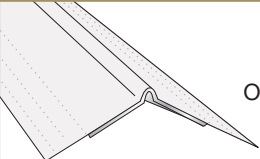

TYPE	DIMENSIONS			PROFILE	AVAILABILITY
	A	RADIUS	B		
 <p>G2-B INSIDE STANDARD</p>	22mm	19mm	22mm	 <p>STANDARD</p>	2.4m, 3.0m

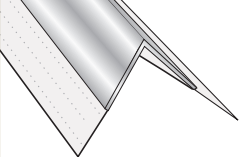

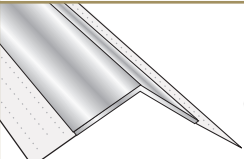
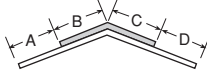
Square Tape-On Trims



GIB® Goldline™ Platinum Square Tape-On Trims create a clean and precise square corner. The traditional styling of these corners provide sharp lines which give architectural details such as paint transitions and step bulkheads a more dramatic look.

GIB® Goldline™ Platinum Square Tape-On Trims offer a wide selection of profiles for use on 90° outside/inside and 135° off angle outside/inside corners to accommodate any thickness of plasterboard. GIB® Goldline™ Platinum Square Tape-On Trims can be quickly and easily installed using GIB® joint compound, leaving a crack resistant corner that is not subject to fastener popping.

Square Tape-On Outside Corners							
TYPE		DIMENSIONS				PROFILE	AVAILABILITY
		A	B	C	D		
	G1-W STANDARD	22mm	13mm	19mm	22mm	 STANDARD	2.4m, 2.7m, 3.0m
	G1-U WIDE EQUAL LEG	19mm	19mm	19mm	19mm		
	G1-O OFF ANGLE	16mm	19mm	13mm	16mm	 OFF ANGLE	2.4m, 3.0m

Square Tape-On Inside Corners							
TYPE		DIMENSIONS				PROFILE	AVAILABILITY
		A	B	C	D		
	G2 STANDARD	16mm	10mm	10mm	16mm	 STANDARD	2.4m, 2.7m, 3.0m
	G2-O OFF ANGLE	16mm	19mm	19mm	16mm		
	G2-O OFF ANGLE	16mm	19mm	19mm	16mm	 OFF ANGLE	2.4m, 3.0m

Tape-On L-Trims & Reveals



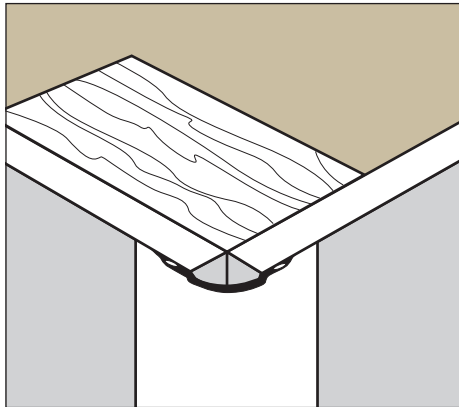
GIB® Goldline™ Platinum Tape-On L-Trims and Reveals are used to finish rough edges of plasterboard where it abuts other building components such as suspended ceilings, beams, masonry or concrete walls, untrimmed door and window jambs and bi-fold door openings. All of these trims can be quickly and easily installed using GIB® joint compound, leaving a crack resistant finish that is not subject to fastener popping. Available in a wide variety of sizes, suitable for most applications.

GIB® Goldline™ Platinum Tape-On L-Trims and Reveals can also be used together to form control joints in large areas, providing an architectural finish.

Tape-On L-Trim						
TYPE		DIMENSIONS			PROFILE	AVAILABILITY
		A	B	C		
	G4 9.5mm	11mm	27mm	32mm		2.4m, 3.0m
	G4 12.5mm	14mm	24mm	32mm		

Tape-On Reveal							
TYPE		DIMENSIONS				PROFILE	AVAILABILITY
		A	B	C	D		
	GR 13mm x 13mm	13mm	13mm	30mm	22mm		3.0m
	GR 13mm x 16mm	13mm	16mm	27mm	22mm		

Installation



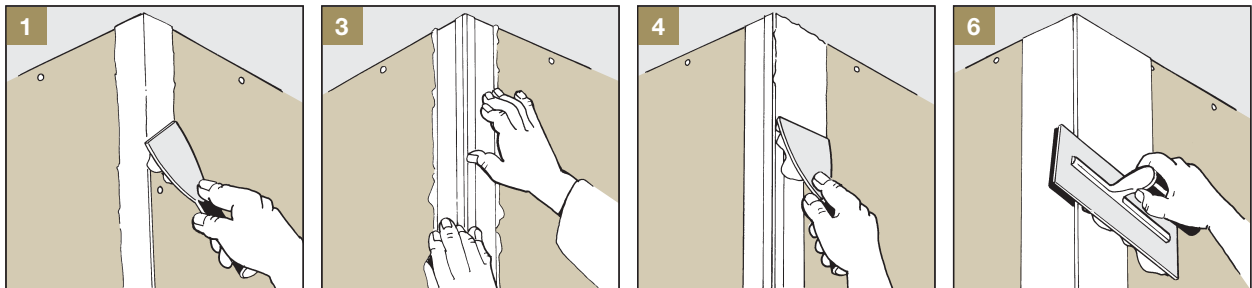
GIB® Goldline™ Platinum Tape-On Trims are attached over the corner and then covered with compound.

Because of the thickness of plaster involved in covering these trims, pre-mixed compounds must not be used for the first two coats.

A slightly sloppier mix of compound is recommended for the installation of GIB® Goldline™ Platinum Tape-On Trims because it provides better paper adhesion. This means adding a little more water when mixing up the compound.

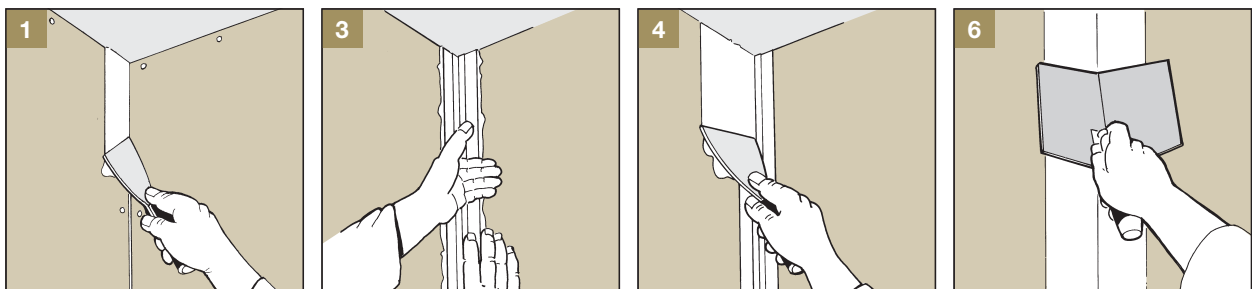
When you are installing external Bullnose Corners, check that the plasterboard edges do not extend past the corner of the framing substrate on either side. If the plasterboard edges do protrude, simply trim them back prior to commencing installation.

External



1. Apply a 75mm wide band of GIB Tradeset® to each side of the GIB® plasterboard corner.
2. Cut trim to required length and position over the joint compound. Allow 10mm at the bottom for expansion and contraction of framing members, and mitre any corners which will be abutting other trims at corners.
3. Press the trim firmly into the compound, thus embedding the paper tape and forcing out excess compound. The installation of the trim may be performed with the aid of a GIB® Goldline™ corner roller.
4. Using a 100mm broad-knife, wipe off surplus compound by further embedding the tape to eliminate all air bubbles. (Be careful not to remove all compound).
5. Flush the joint with a 150mm broad-knife or trowel using additional compound. Remove any excess jointing compound on the nose of the trim by wiping with a damp sponge.
6. Allow to harden or dry, then apply a light top coat. This is done using a large finishing knife or trowel, apply compound in a band about 200mm wide. Level the compound by drawing the knife along the trim with one edge of the blade riding on the nose of the trim and the other on the surface of the GIB® plasterboard.
7. Repeat for the other side of the trim. Allow to dry.
8. Apply a second coat once previous coat is dry. Feather the edges of each coat about 50mm beyond the preceding coat, and again wiping the trim with a damp sponge. When the top coat is completely dry, lightly sand taking care not to scuff the face paper of the GIB® plasterboard.

Internal



Inside corners are installed similarly to outside corners except usually only one cover coat is required. A GIB® Goldline™ corner roller may be used to apply and smooth the compound if desired.

Limitations



Incorrect installation may cause cracks to appear at the edge of GIB® Goldline™ Platinum trims.

Cause

1. If the taping compound is allowed to dry too fast because of high temperature and low humidity or excessive drafts.
2. Improper application, such as over-dilution of compound, use of wrong compound, excessive compound under tape, no second coat over tape.
3. Cold, wet application conditions can result in poor bond.

Remedy

Remove all poorly bonded tape and reapply compound and trims as recommended.

Prevention

Do not install at temperatures below 10°C. During cold weather, control heat at a minimum 10°C and supply good ventilation. In hot, dry conditions, place shielding devices over room openings to prevent drafts. Do not apply joint treatment over hot surfaces. Lightly wet down floors if room humidity is too low. Avoid practices listed under “Cause” above.



Winstone Wallboards Limited

37 Felix Street, P O Box 12256
Penrose, Auckland, New Zealand
Phone 64-9-633 0100, Facsimile 64-9-633 0101
Internet website: <http://www.gib.co.nz>
E-mail: info@gib.co.nz

GIB® Helpline: Telephone 0800 100 442 Facsimile 0800 229 222