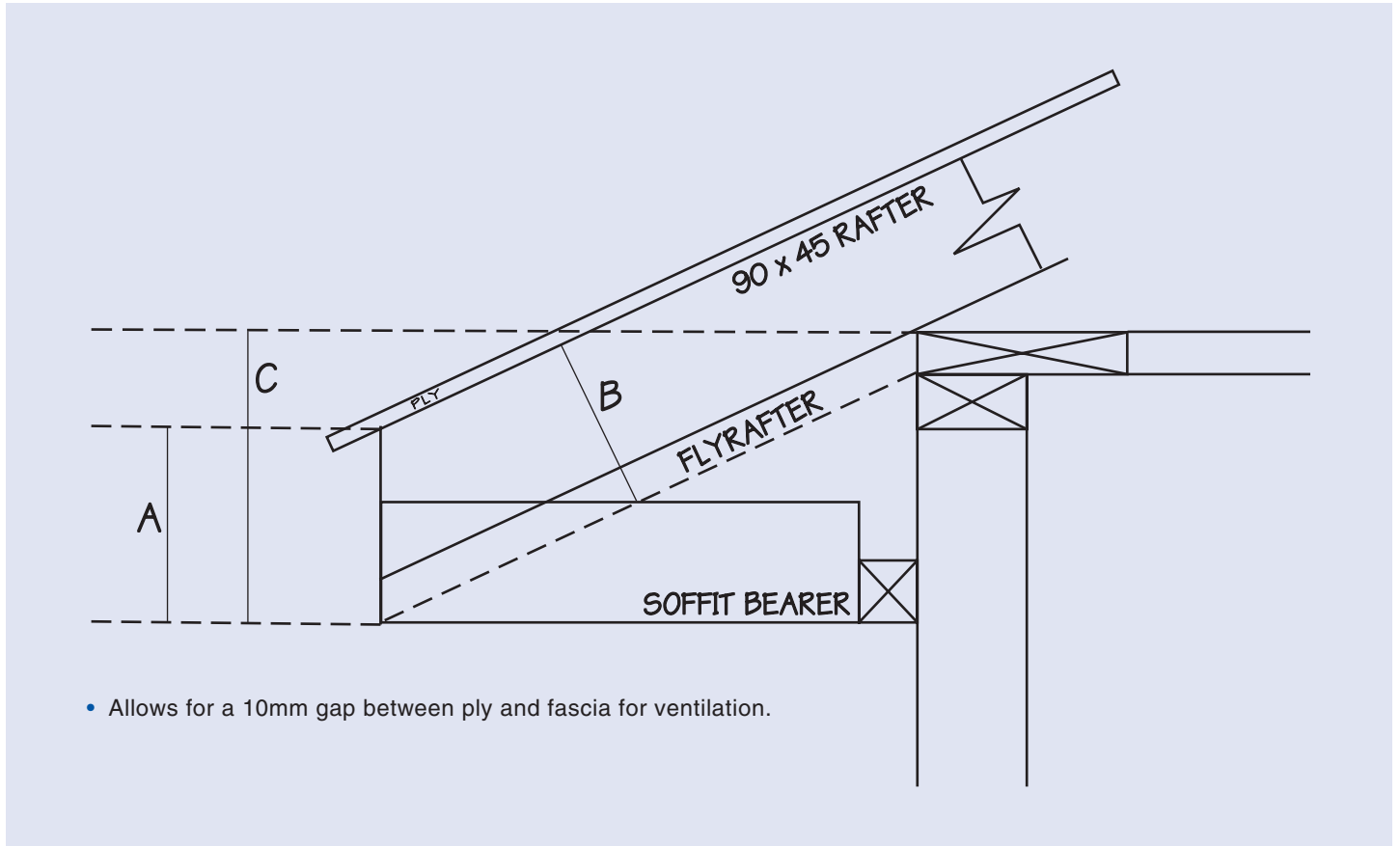


METALLINE 185mm FASCIA ON GABLE & EAVE TO SUIT ASPHALT SHINGLE ROOF



GENERAL NOTES

- Please inform your precutter which Metalcraft external fascia system you have selected.
- For best results, scaffolding must be supplied by the customer to:
 - extend at least 500mm past external/gable corners
 - be approximately 1700mm below the rafter end in height
 - meet OSH-approved safety standards
- Metalcraft external rainwater products must be washed regularly to ensure maximum longevity. Areas that do not get regular washing by rain may require special attention.

PITCH	TOE CUT (A)	TOP CHORD DROP (C)	SOFFIT DROP (B)		
			450 O/H	600 O/H	750 O/H
10°	181mm	178mm	169mm	195mm	222mm
15°	184mm	177mm	211mm	252mm	292mm
20°	188mm	176mm	256mm	310mm	365mm
25°	192mm	173mm	303mm	372mm	442mm
30°	196mm	169mm	352mm	438mm	525mm
35°	201mm	163mm	406mm	512mm	616mm
40°	207mm	157mm	467mm	593mm	719mm
45°	214mm	150mm	537mm	687mm	837mm

