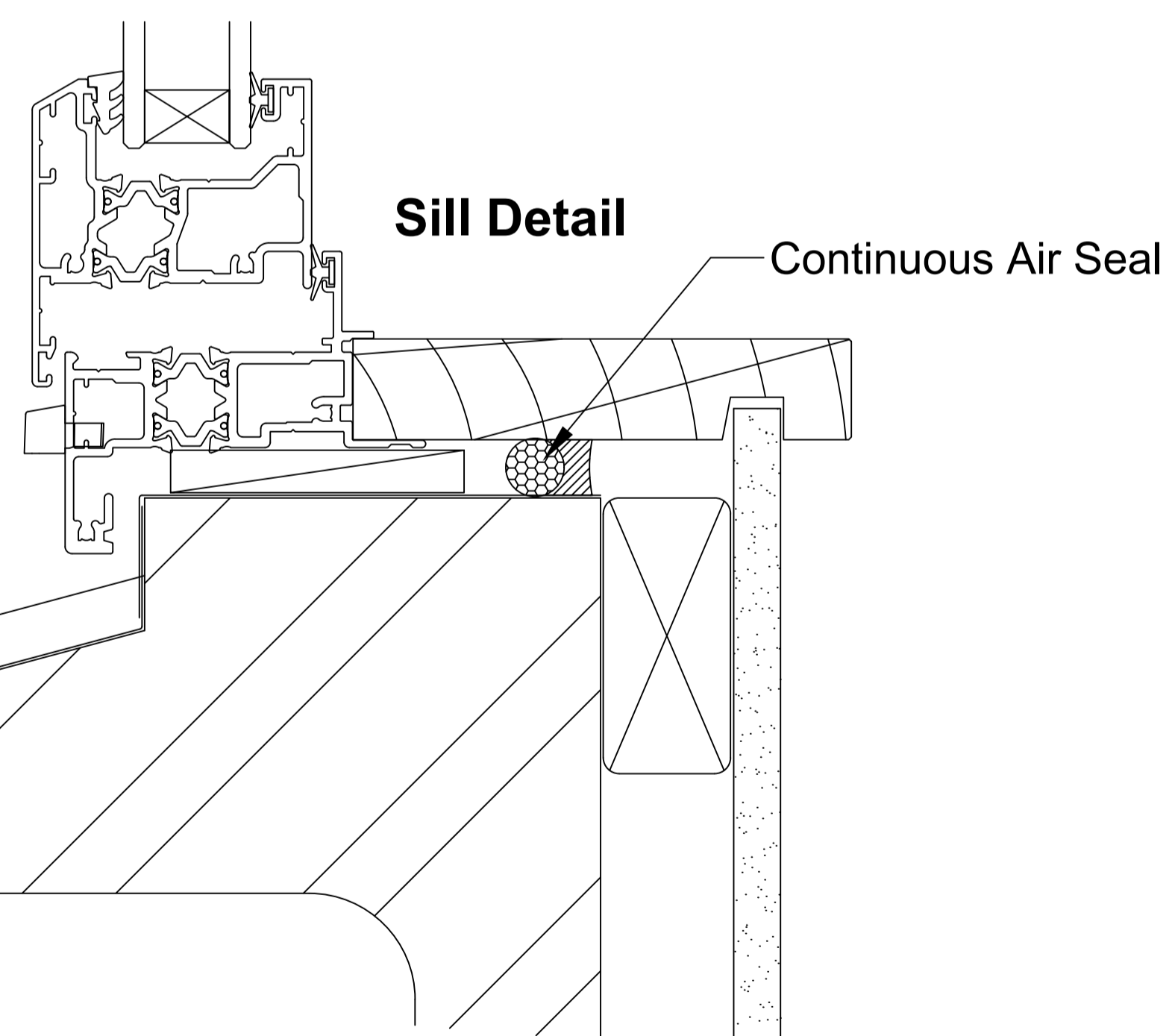
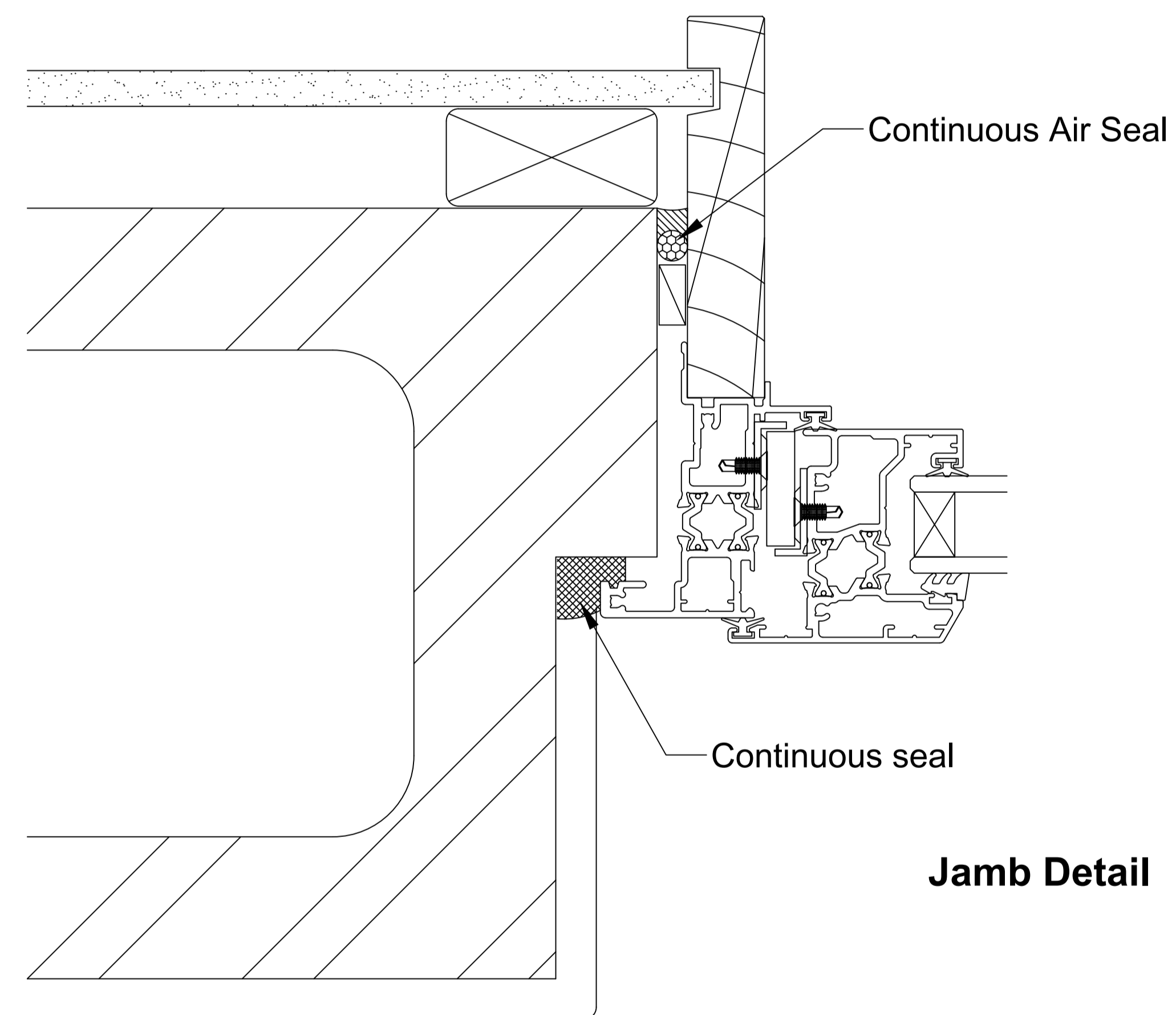


Plaster finish as required  
or coat Concrete Block  
with a suitable sealer



Plaster finish as required  
or coat Concrete Block  
with a suitable sealer

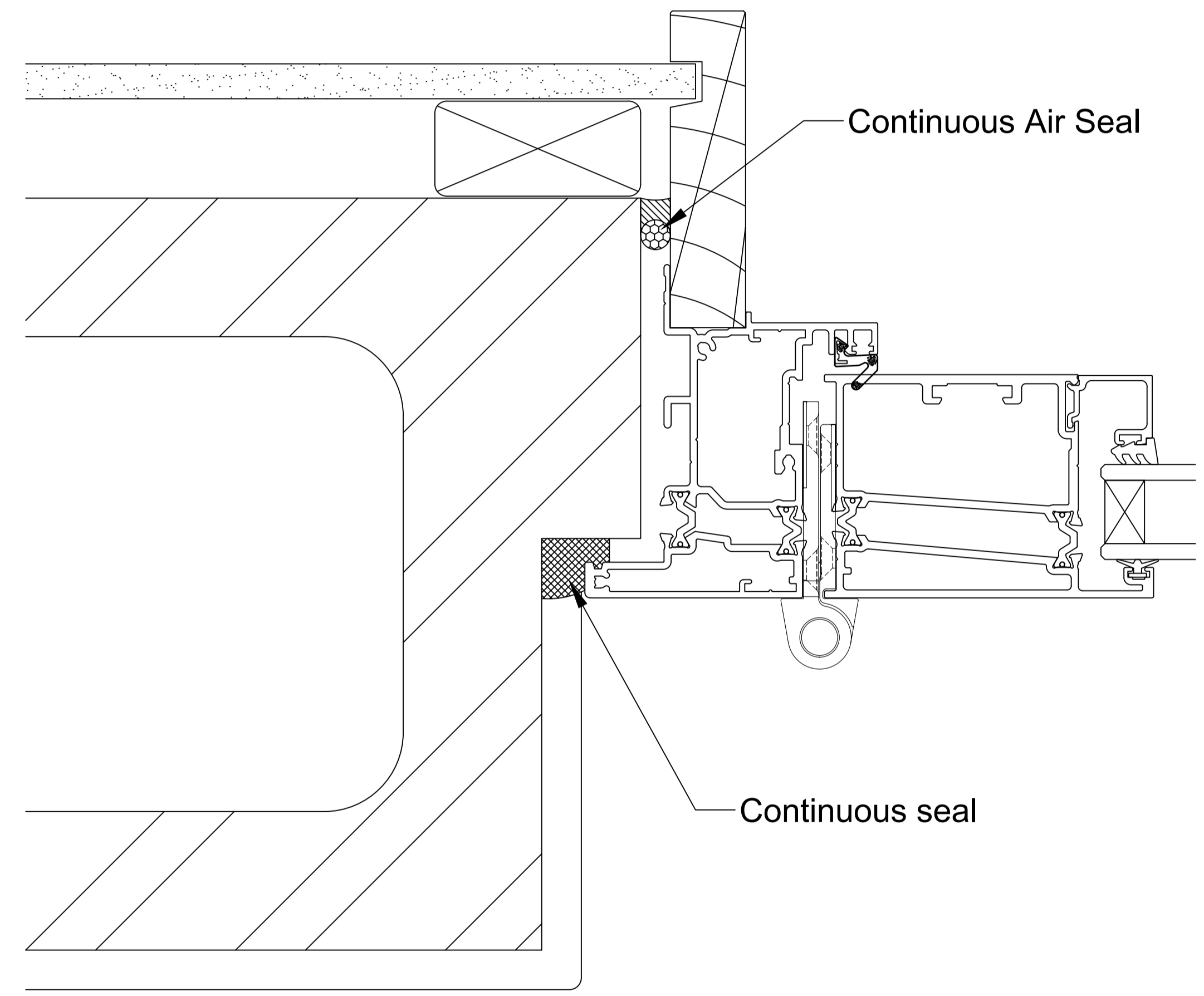
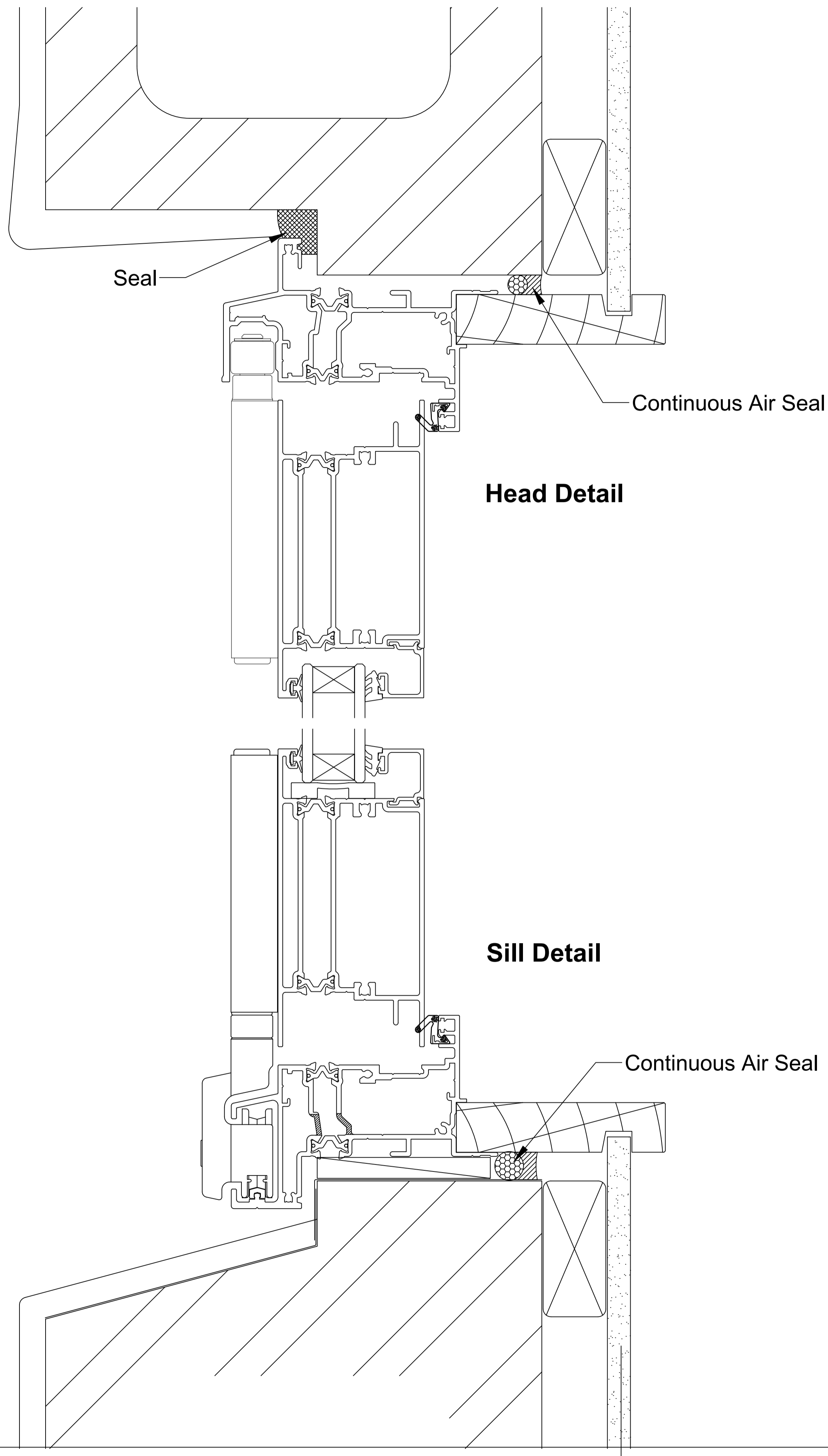


Plaster finish as required  
or coat Concrete Block  
with a suitable sealer

**Note:**

Avoid mortar contact with Aluminum Joinery, if contact is made wash off with warm soapy water immediately, no abrasive contact or solvents to be used.

Plaster finish as required  
or coat Concrete Block  
with a suitable sealer

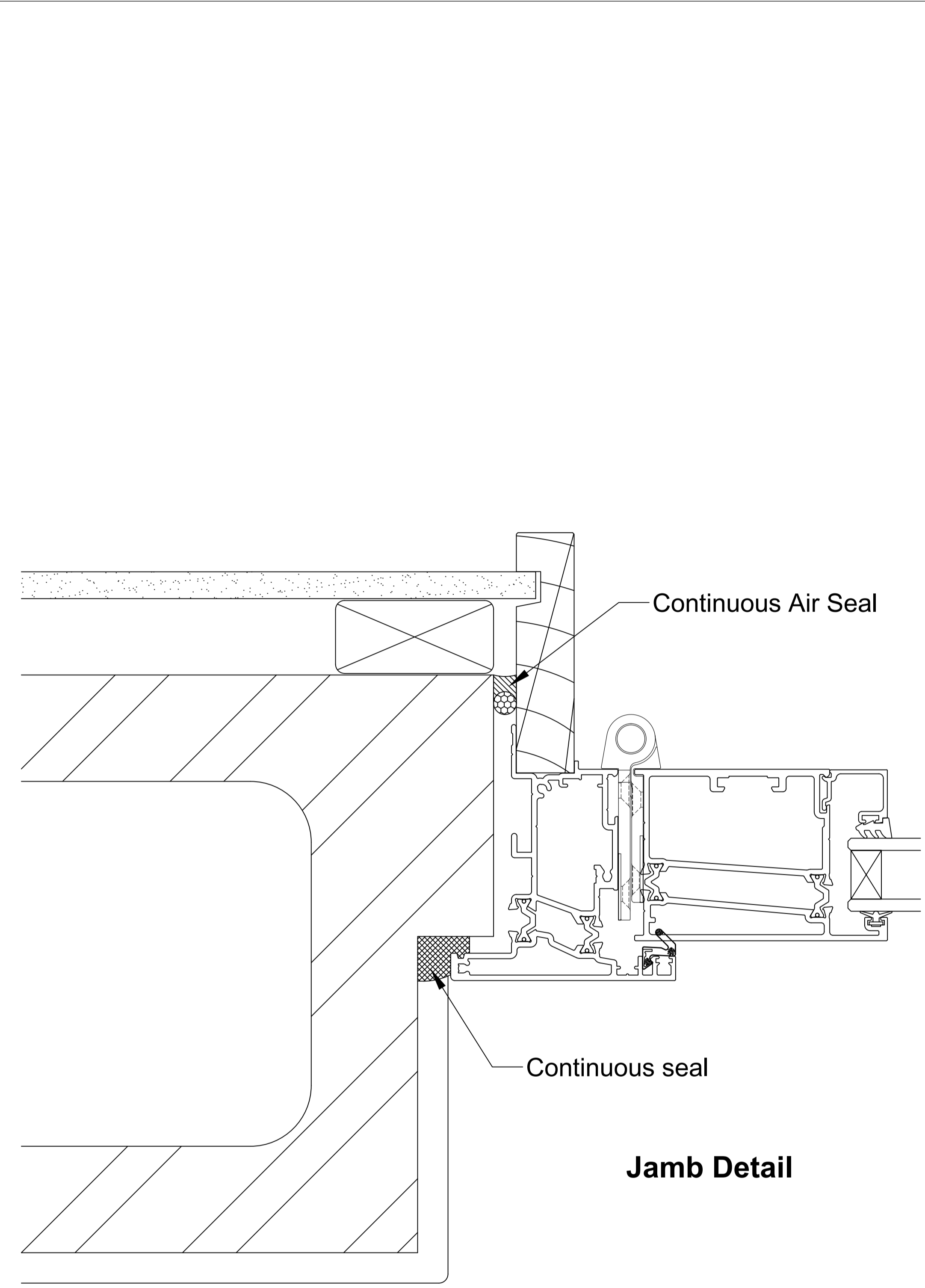
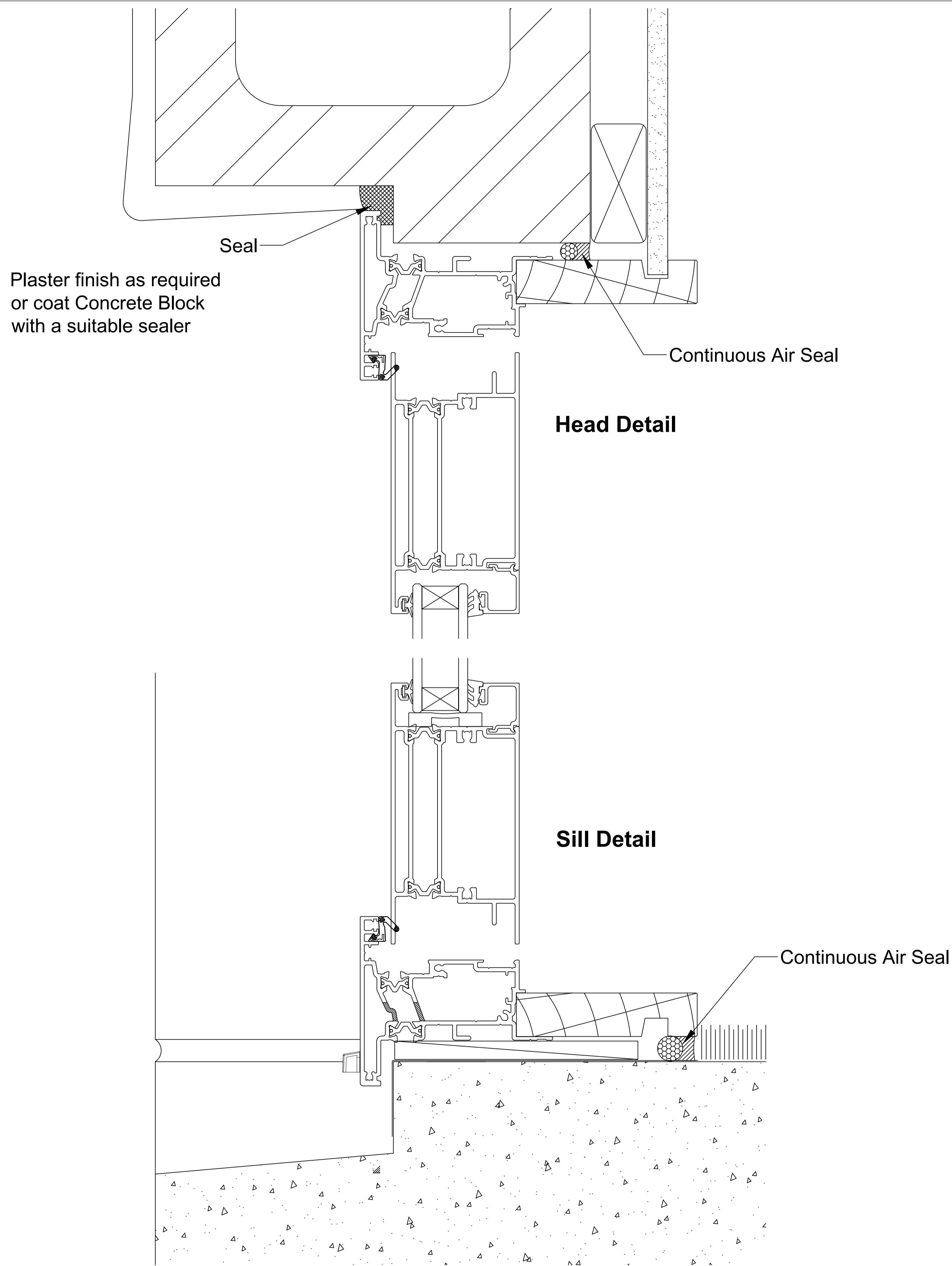


Plaster finish as required  
or coat Concrete Block  
with a suitable sealer

**Jamb Detail**

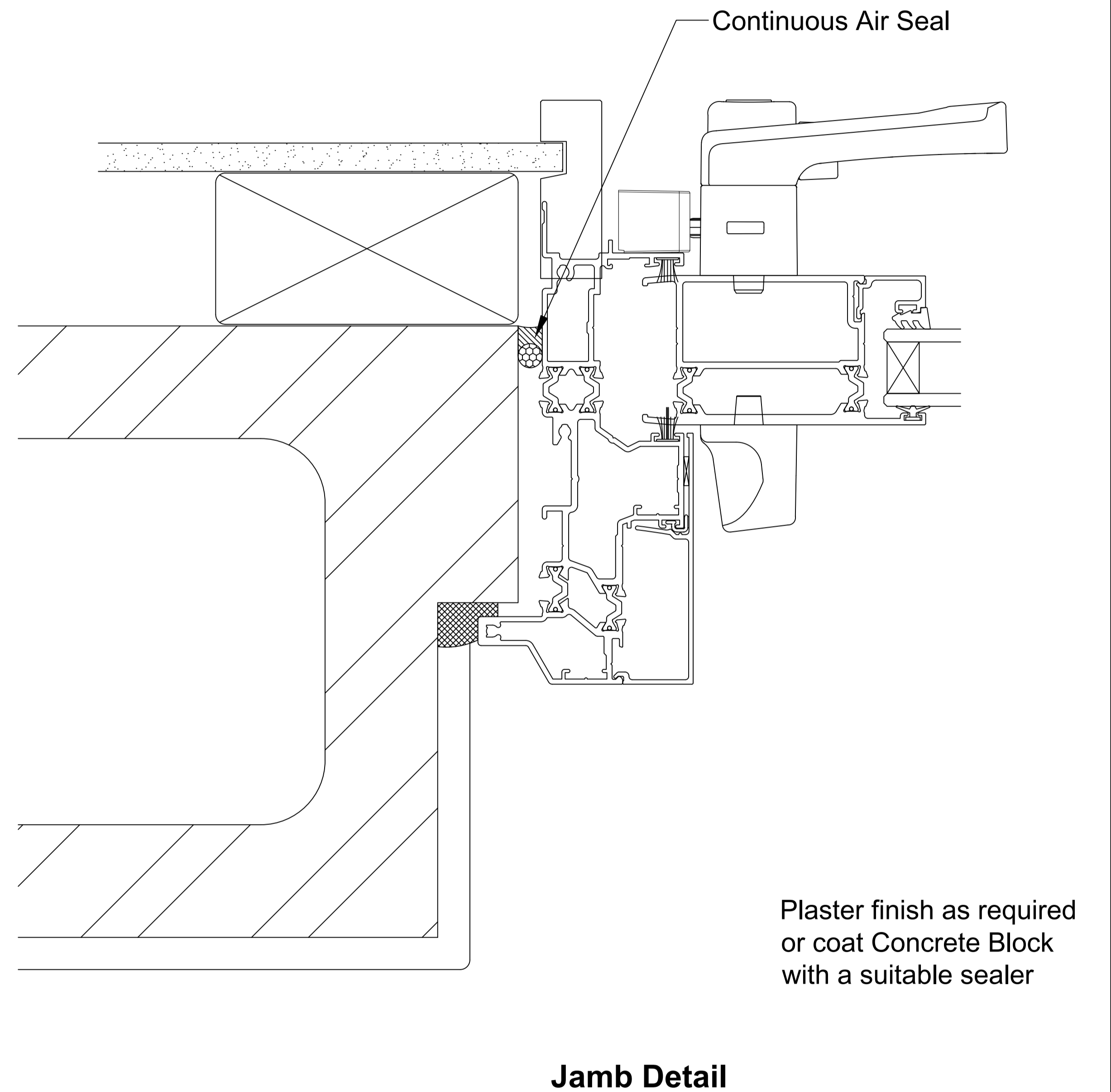
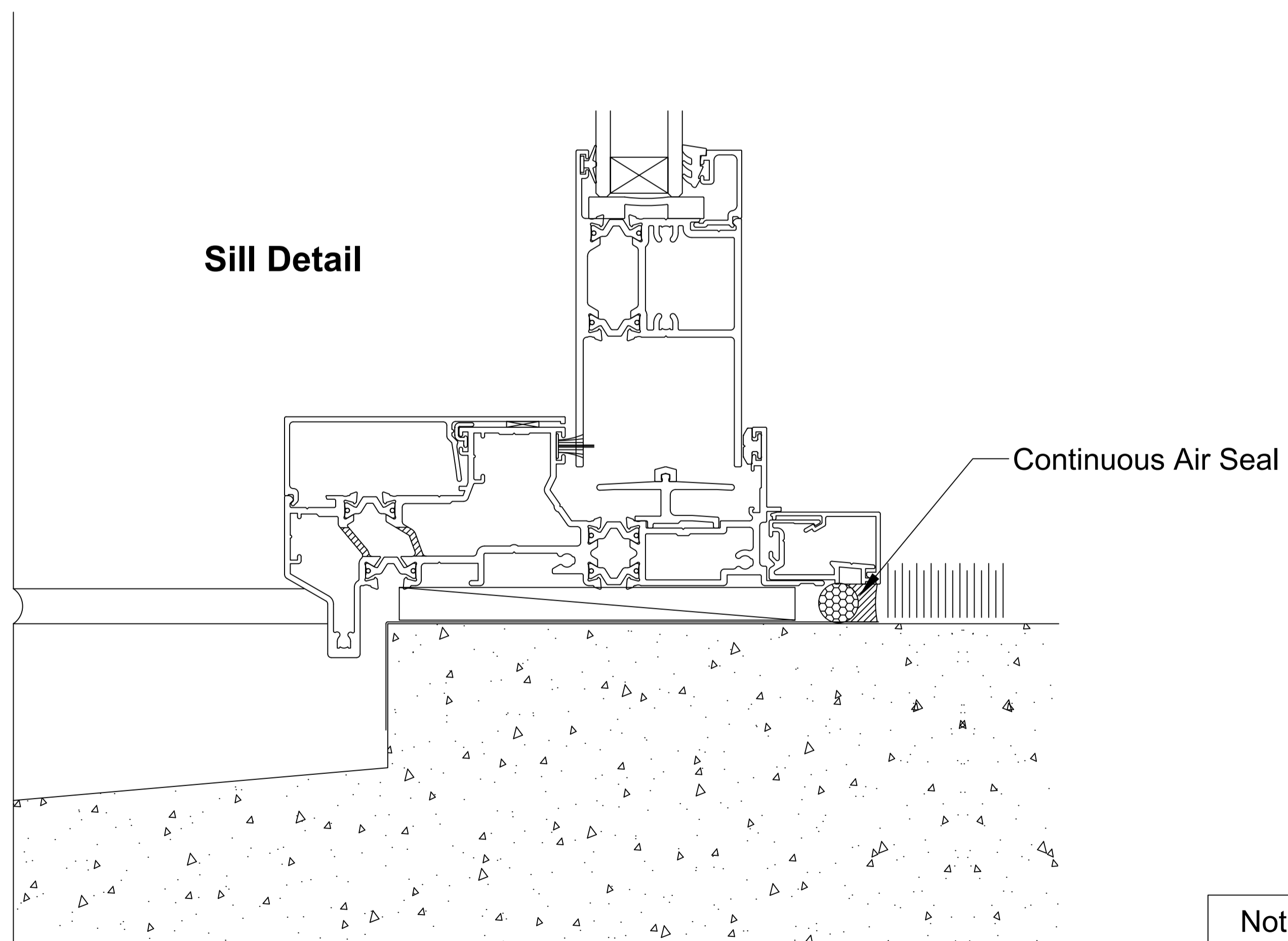
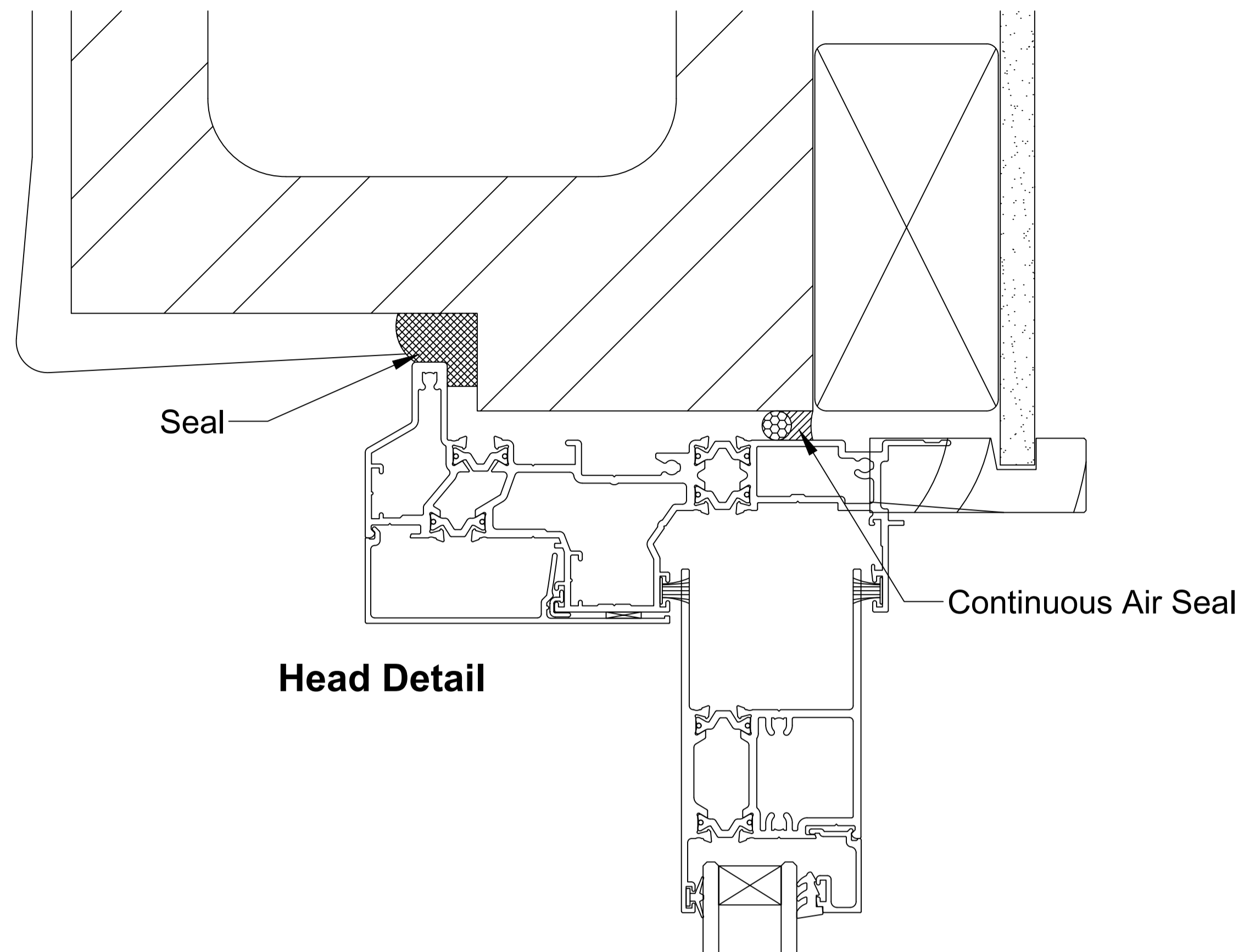
Plaster finish as required  
or coat Concrete Block  
with a suitable sealer

Note:  
Avoid mortar contact with Aluminum Joinery, if contact is made wash off with warm soapy water immediately,  
no abrasive contact or solvents to be used.

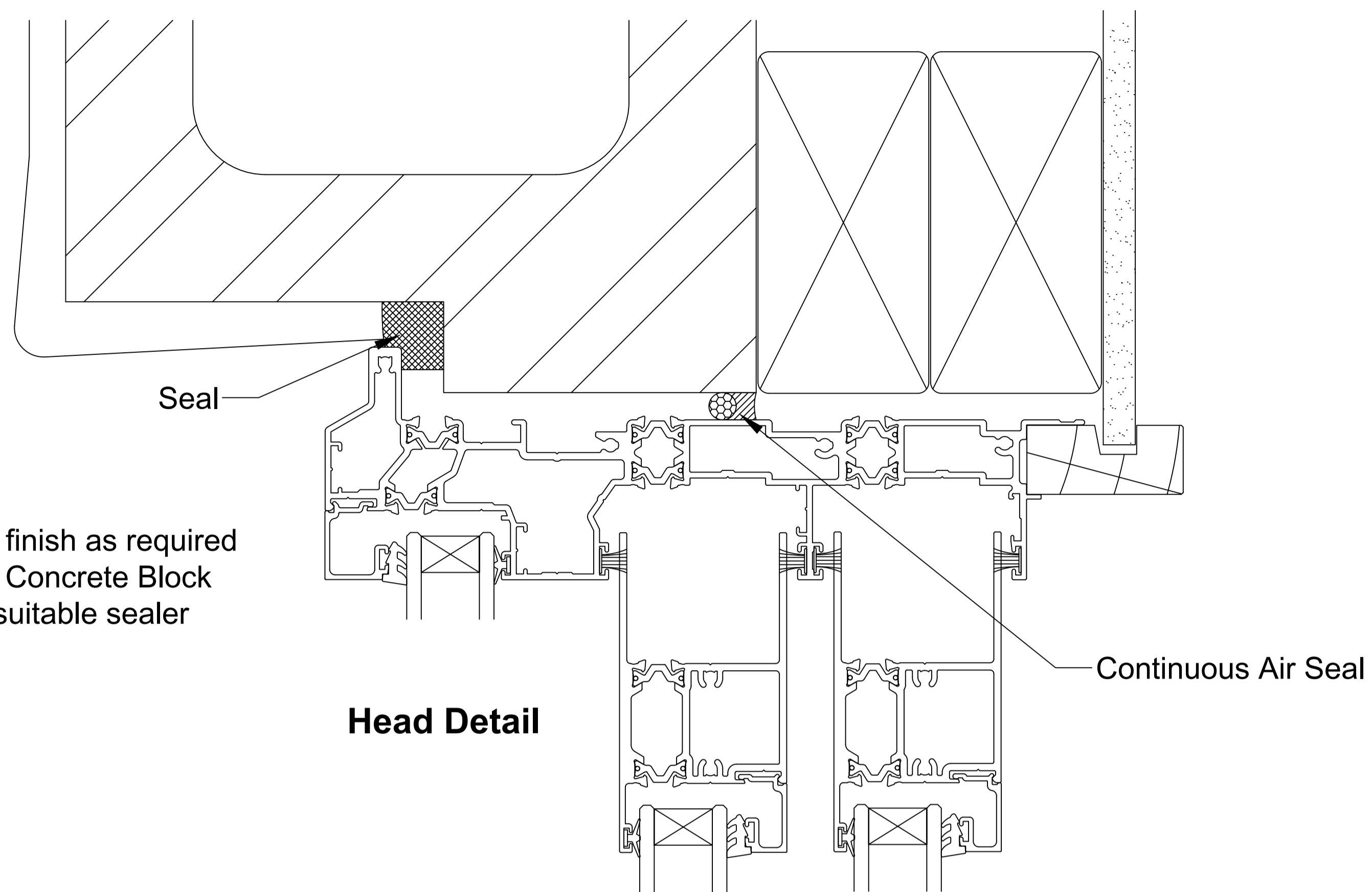


**Note:**  
Avoid mortar contact with Aluminum Joinery, if contact is made wash off with warm soapy water immediately, no abrasive contact or solvents to be used.

Plaster finish as required  
or coat Concrete Block  
with a suitable sealer

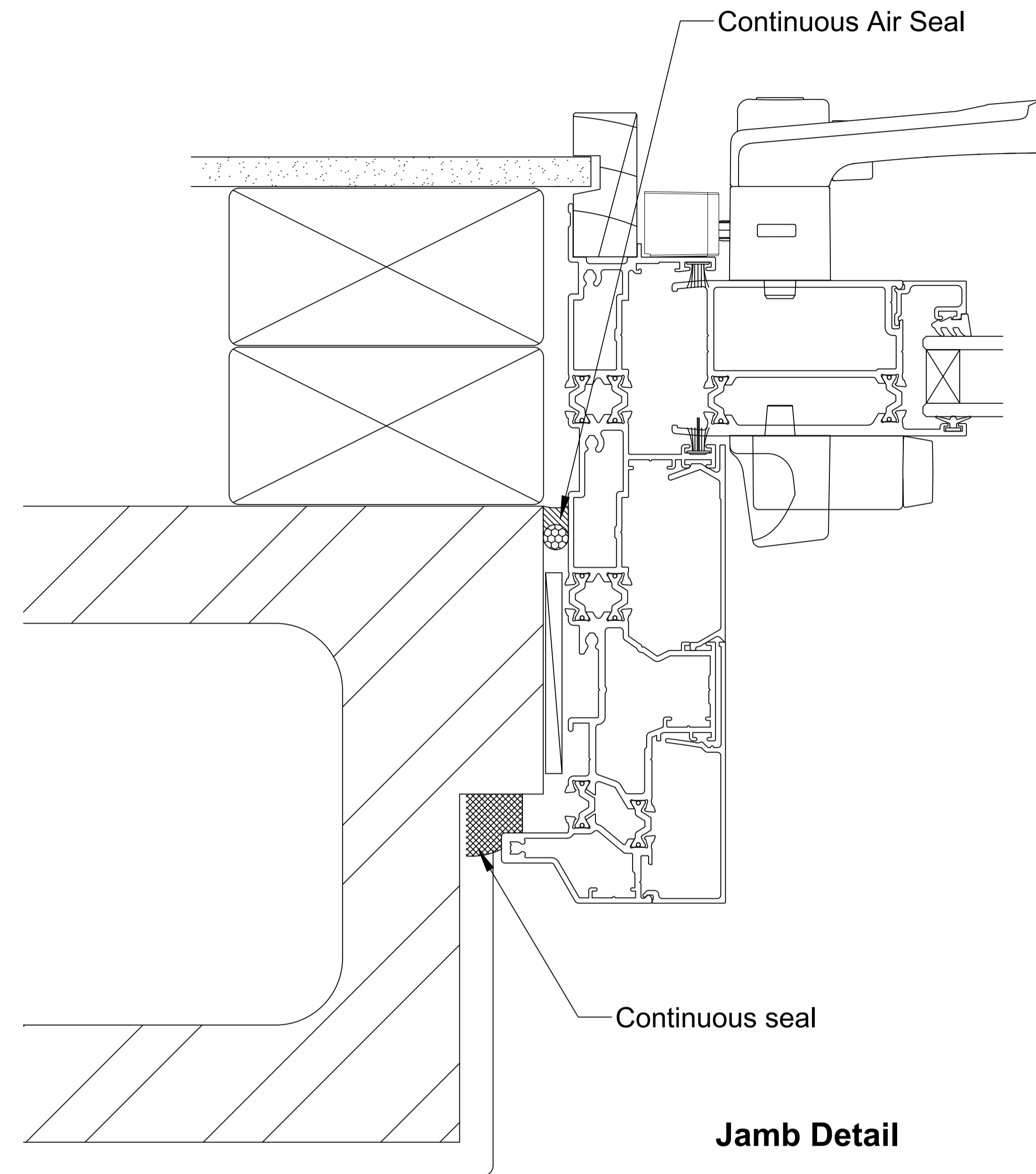


**Note:**  
Avoid mortar contact with Aluminum Joinery, if contact is made wash off with warm soapy water immediately, no abrasive contact or solvents to be used.



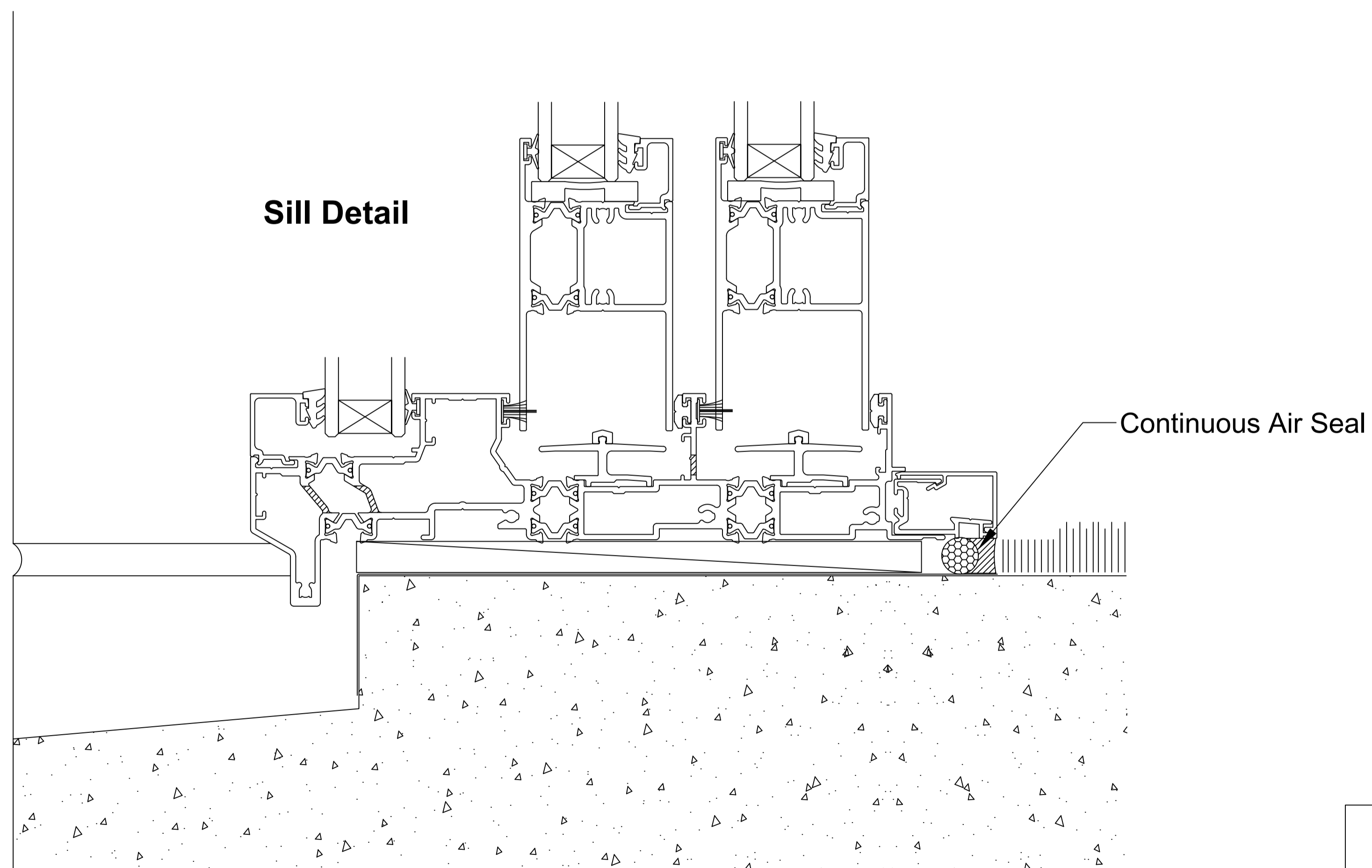
Plaster finish as required  
or coat Concrete Block  
with a suitable sealer

**Head Detail**



**Jamb Detail**

Plaster finish as required  
or coat Concrete Block  
with a suitable sealer

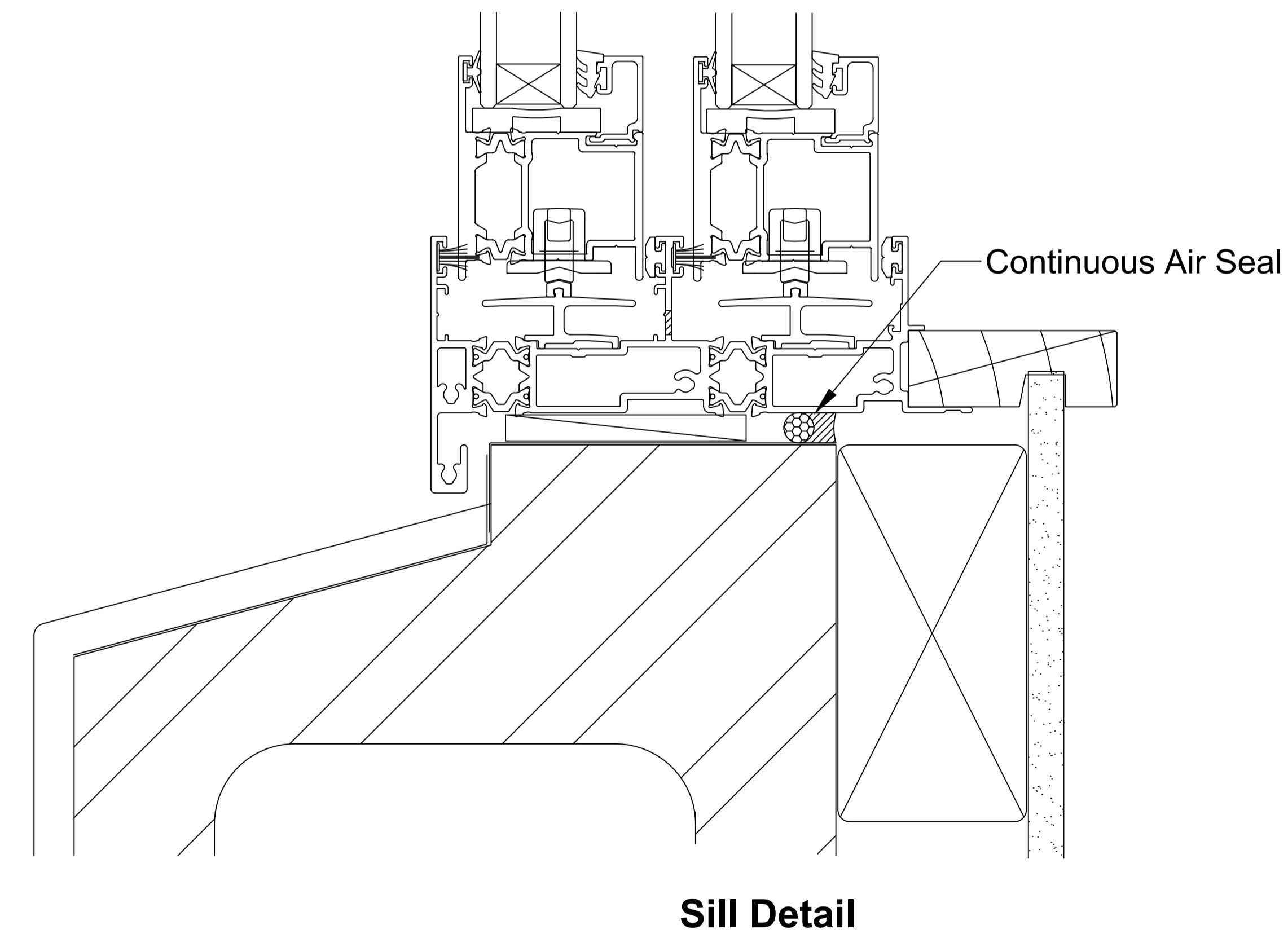
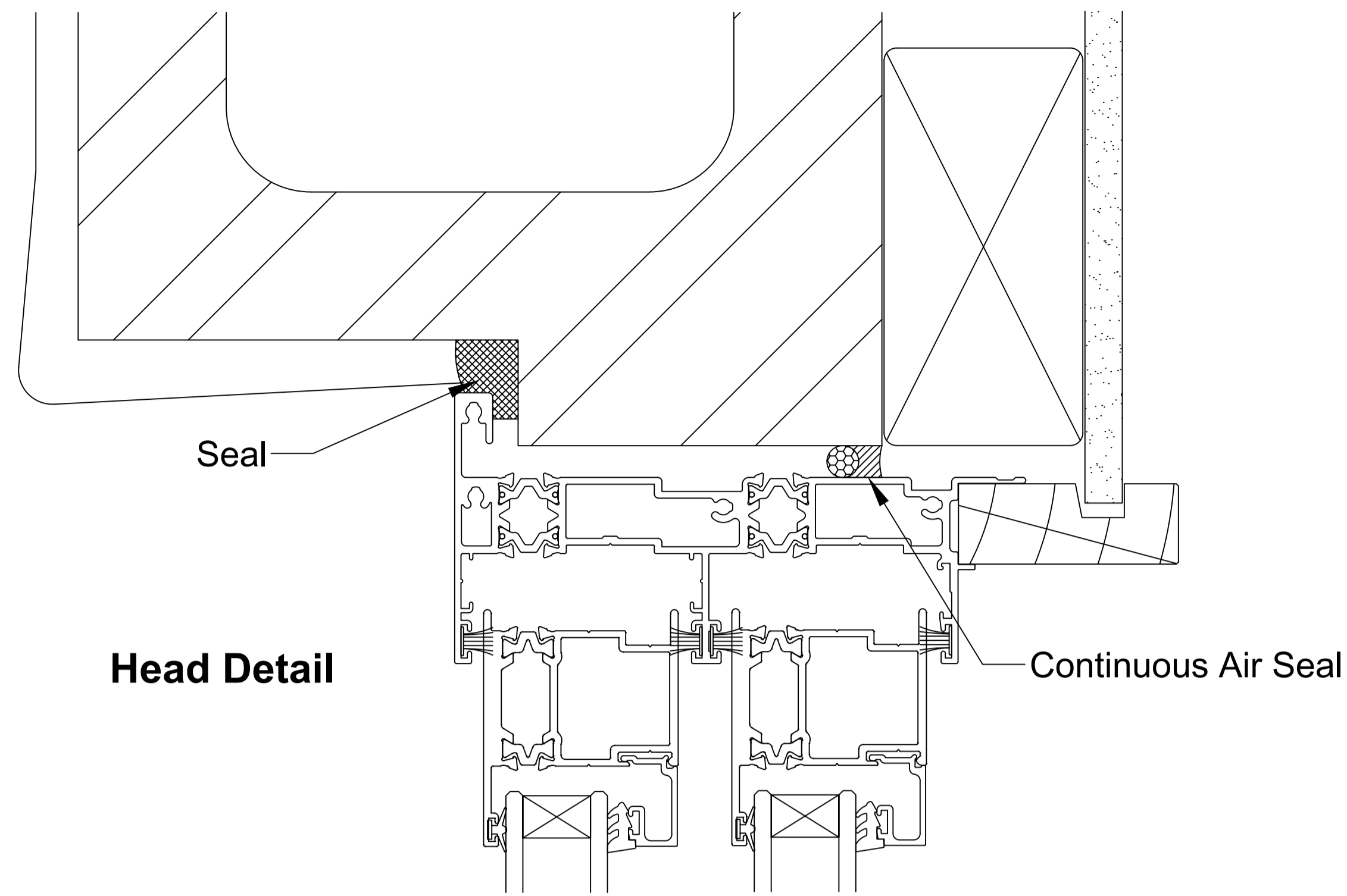


**Sill Detail**

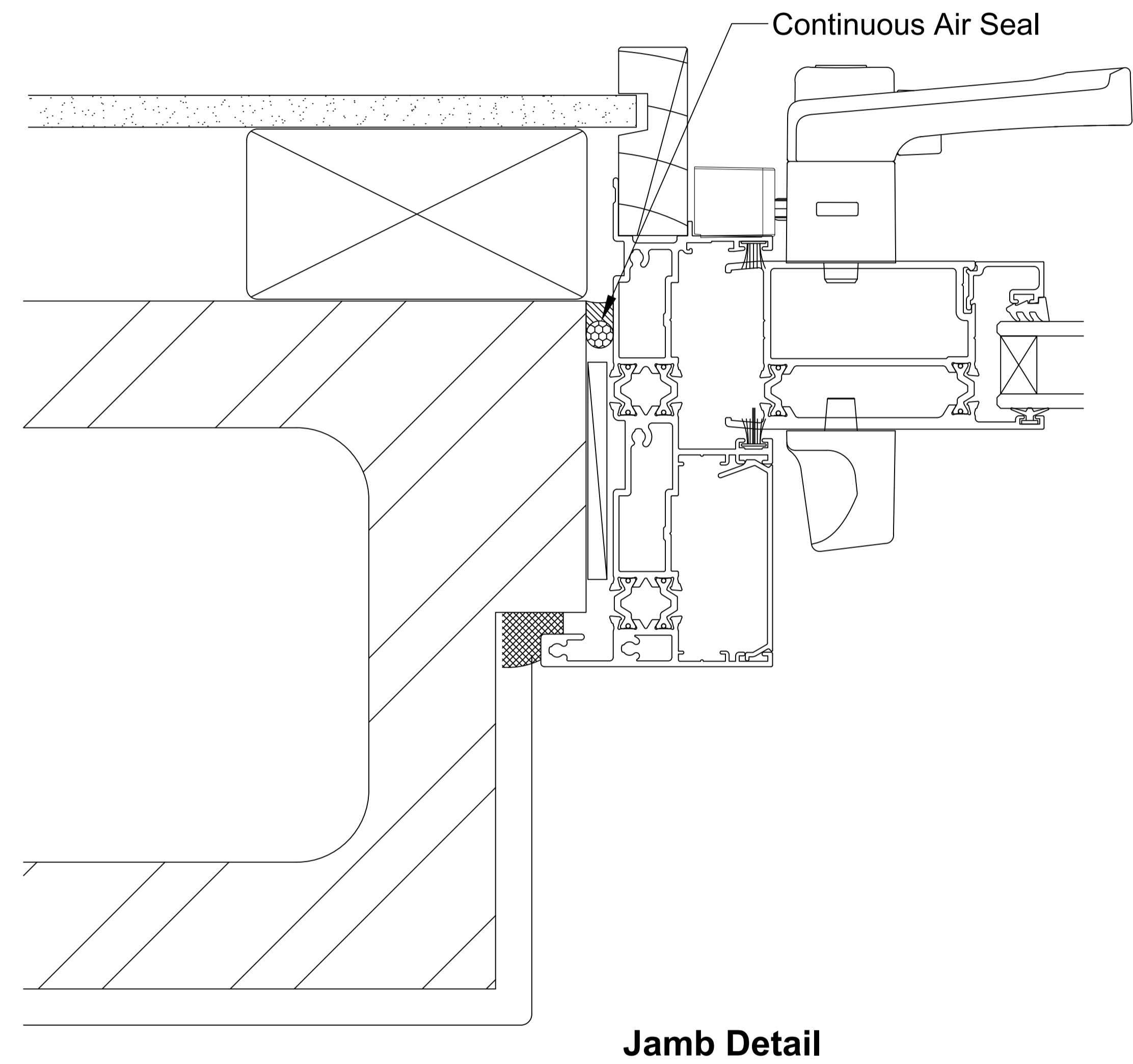
**Note:**

Avoid mortar contact with Aluminum Joinery, if contact is made wash off with warm soapy water immediately, no abrasive contact or solvents to be used.

Plaster finish as required  
or coat Concrete Block  
with a suitable sealer



Plaster finish as required  
or coat Concrete Block  
with a suitable sealer



**Note:**

Avoid mortar contact with Aluminum Joinery, if contact is made wash off with warm soapy water immediately, no abrasive contact or solvents to be used.