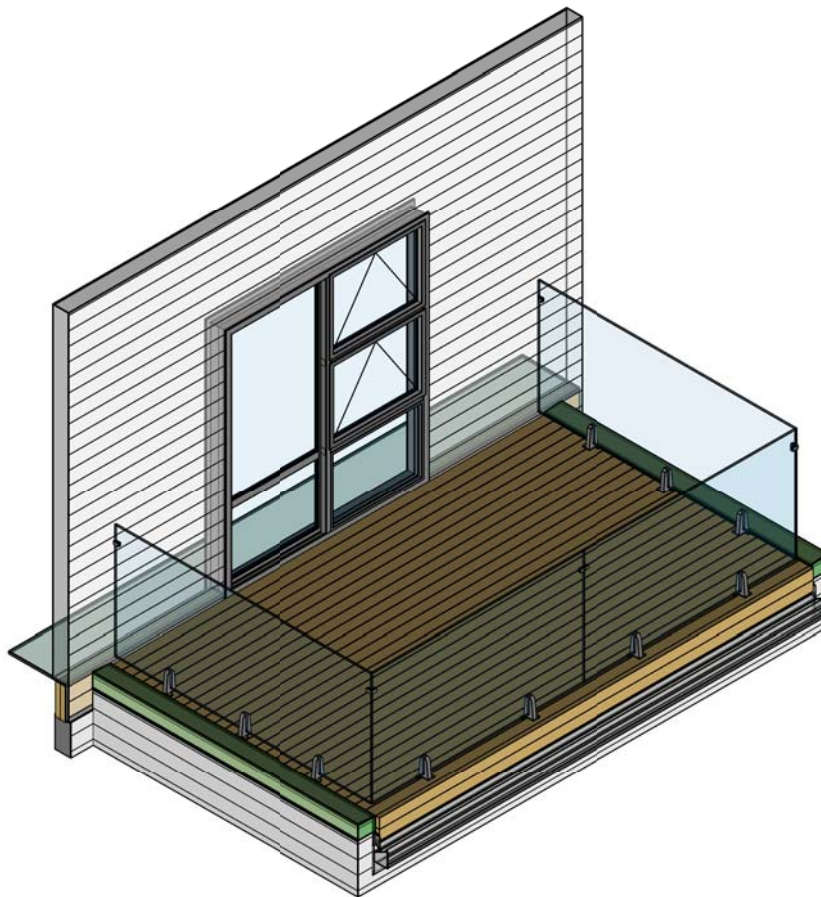


DKF00	Sheet List	03/11/17
DKF01	Joist Hanger Detail	25/04/17
DKF10	Plan View	25/04/17
DKF11	Framing Plan	25/04/17
DKF12	Pedestal Layout	25/04/17
DKF20	Section A-A	25/04/17
DKF21	Section B-B	25/04/17
DKF30	Detail	03/10/17
DKF30a	Detail	07/11/17
DKF30b	Glass Vice Clamp	10/17/17
DKF31	Detail 2	25/04/17
DKF32	Detail 3	03/11/17
DKF33	Detail 4	03/11/17
DKF34	Detail 5 - Deck Connection Detail	25/04/17
DKF35	Nib Edge Detail	25/04/17
DKF36	Deck Framing, Indicative wall edges	25/04/17



© 2017. The copyright of this document is the property of Glass Vice Limited and shall not be reproduced, copied, loaned or disposed of directly, or indirectly, nor used for any purpose other than that for which it is specifically furnished without prior consent.

glass vice_deck_float_nib.rvt
All dimensions in millimetres



Glass Vice

Deck Overlay for Glass Vice Fittings - 3875

Sheet List

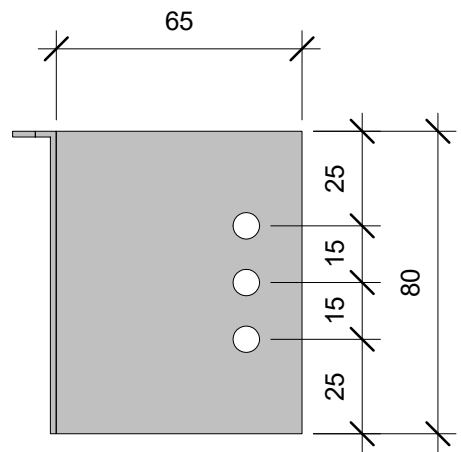
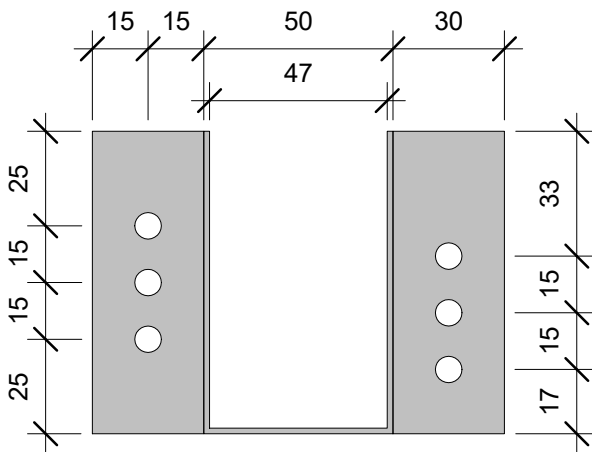
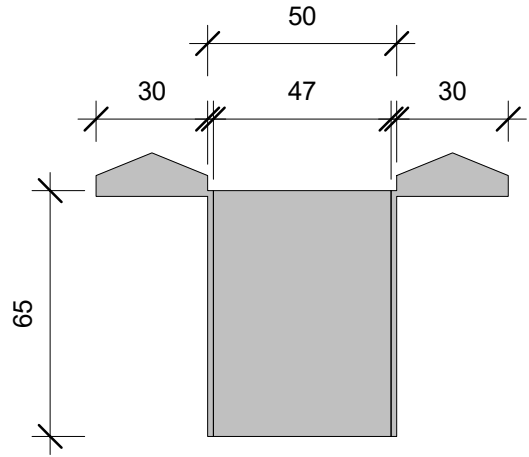
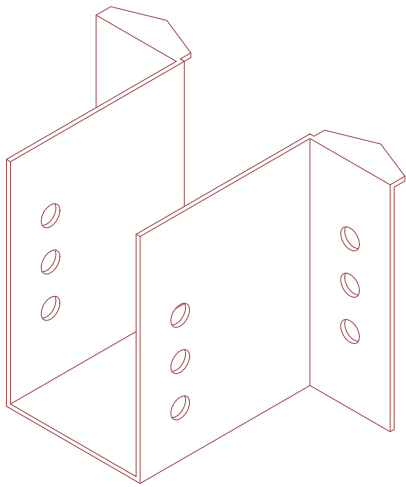
Date: 03/11/17
Scale:

Version 3

Quick Code:

www.glassvice.com
Phone +64 9 414 6565
info@glassvice.com

DKF00



© 2017. The copyright of this document is the property of Glass Vice Limited and shall not be reproduced, copied, loaned or disposed of directly, or indirectly, nor used for any purpose other than that for which it is specifically furnished without prior consent.

glass_vice_deck_float_nib.rvt
All dimensions in millimetres



Glass Vice

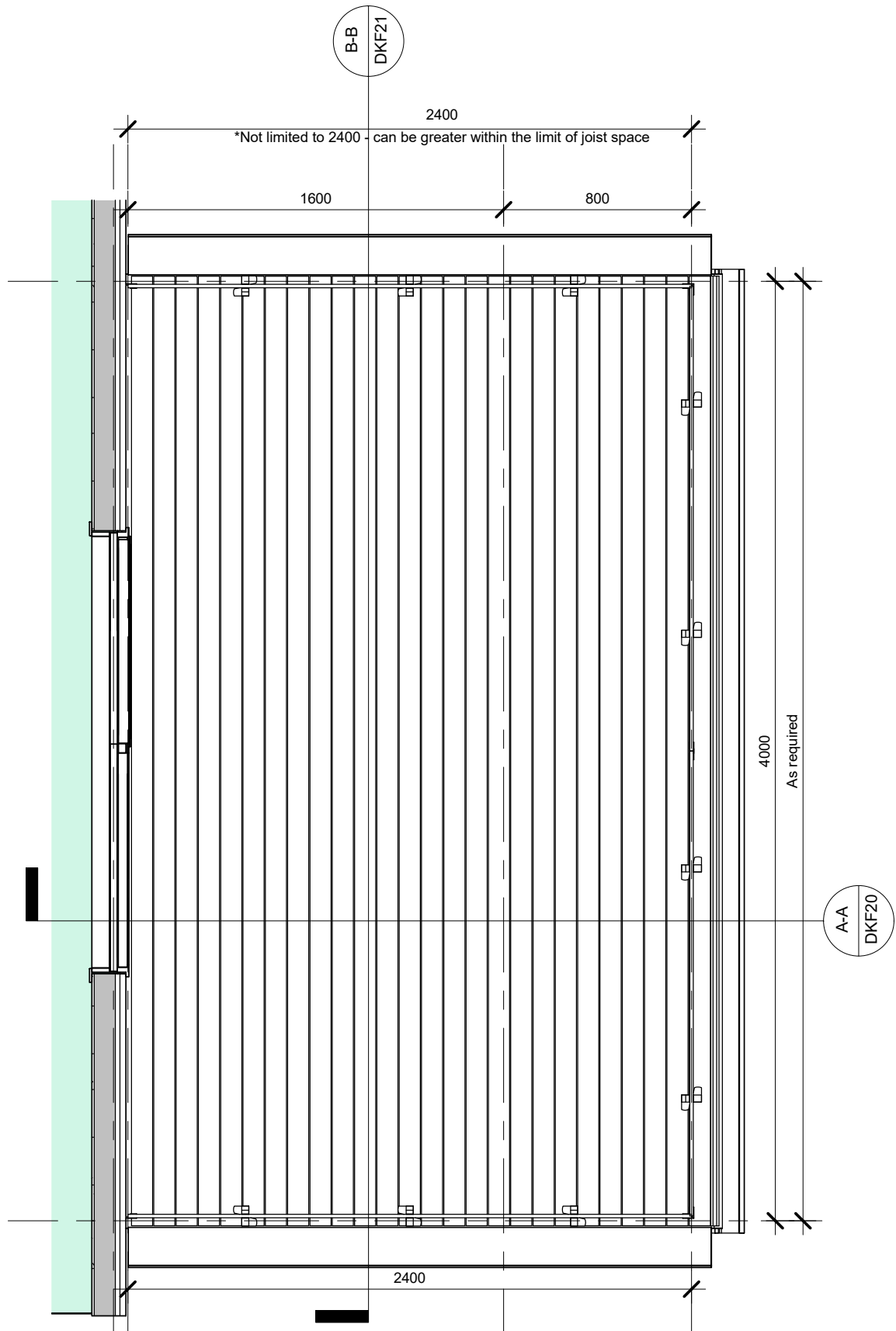
Deck Overlay for Glass Vice Fittings - 3875

Joist Hanger Detail

Date: 25/04/17
Scale: 1 : 2
Version 3
Quick Code:

www.glassvice.com
Phone +64 9 414 6565
info@glassvice.com

DKF01



© 2017. The copyright of this document is the property of Glass Vice Limited and shall not be reproduced, copied, loaned or disposed of directly, or indirectly, nor used for any purpose other than that for which it is specifically furnished without prior consent.

glass_vice_deck_float_nib.rvt
All dimensions in millimetres



Glass Vice

Deck Overlay for Glass Vice Fittings - 3875

Plan View

Date: 25/04/17
Scale: 1 : 25

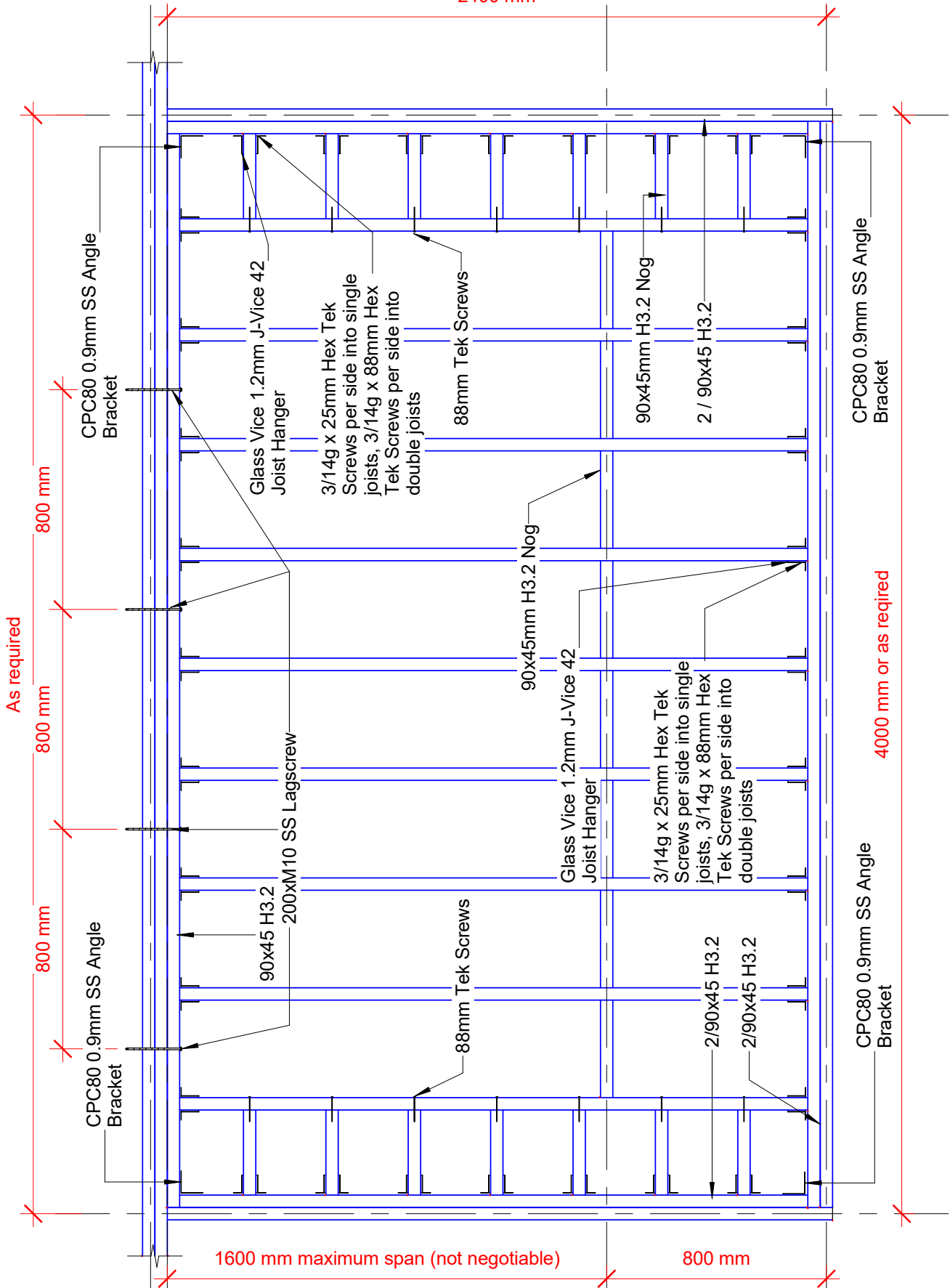
Version 3

Quick Code:

www.glassvice.com
Phone +64 9 414 6565
info@glassvice.com

DKF10

*Not limited to 2400 - can be multiple of 1600 or less depending on span of floor joist
2400 mm



© 2017. The copyright of this document is the property of Glass Vice Limited and shall not be reproduced, copied, loaned or disposed of directly, or indirectly, nor used for any purpose other than that for which it is specifically furnished without prior consent.

glass vice_deck_float_nib.rvt
All dimensions in millimetres



Glass Vice

Deck Overlay for Glass Vice Fittings - 3875

Framing Plan

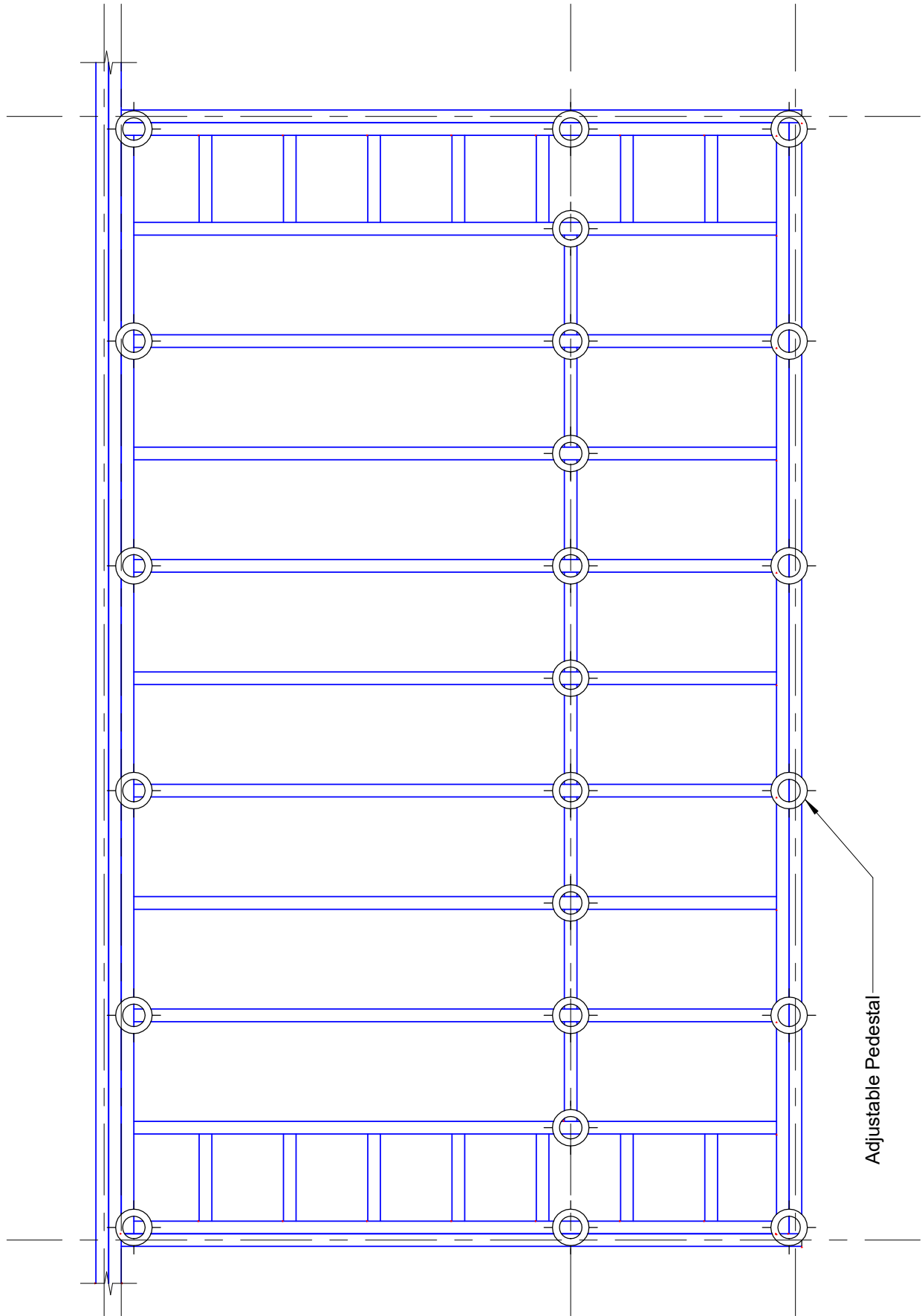
Date: 25/04/17
Scale: 1 : 20

www.glassvice.com
Phone +64 9 414 6565
info@glassvice.com

Version 3

Quick Code:

DKF11



© 2017. The copyright of this document is the property of Glass Vice Limited and shall not be reproduced, copied, loaned or disposed of directly, or indirectly, nor used for any purpose other than that for which it is specifically furnished without prior consent.

glass vice_deck_float_nib.rvt
All dimensions in millimetres



Glass Vice

Deck Overlay for Glass Vice Fittings - 3875

Pedestal Layout

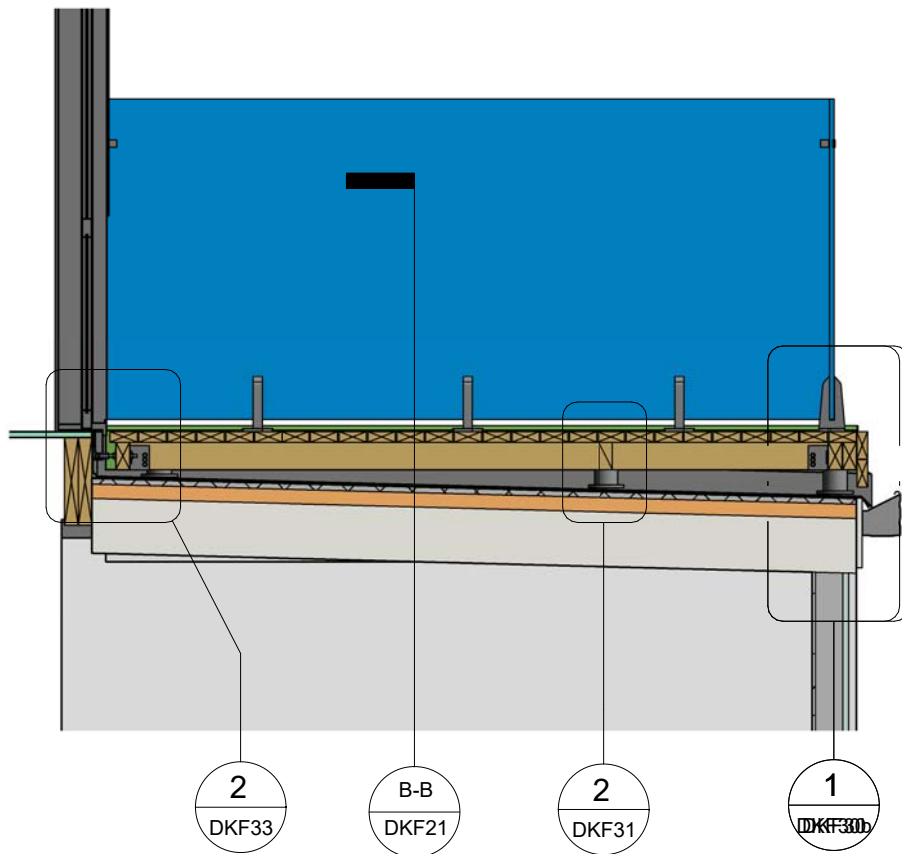
Date: 25/04/17
Scale: 1 : 20

Version 3

Quick Code:

www.glassvice.com
Phone +64 9 414 6565
info@glassvice.com

DKF12



© 2017. The copyright of this document is the property of Glass Vice Limited and shall not be reproduced, copied, loaned or disposed of directly, or indirectly, nor used for any purpose other than that for which it is specifically furnished without prior consent.

glass_vice_deck_float_nib.rvt
All dimensions in millimetres



Glass Vice

Deck Overlay for Glass Vice Fittings - 3875

Section A-A

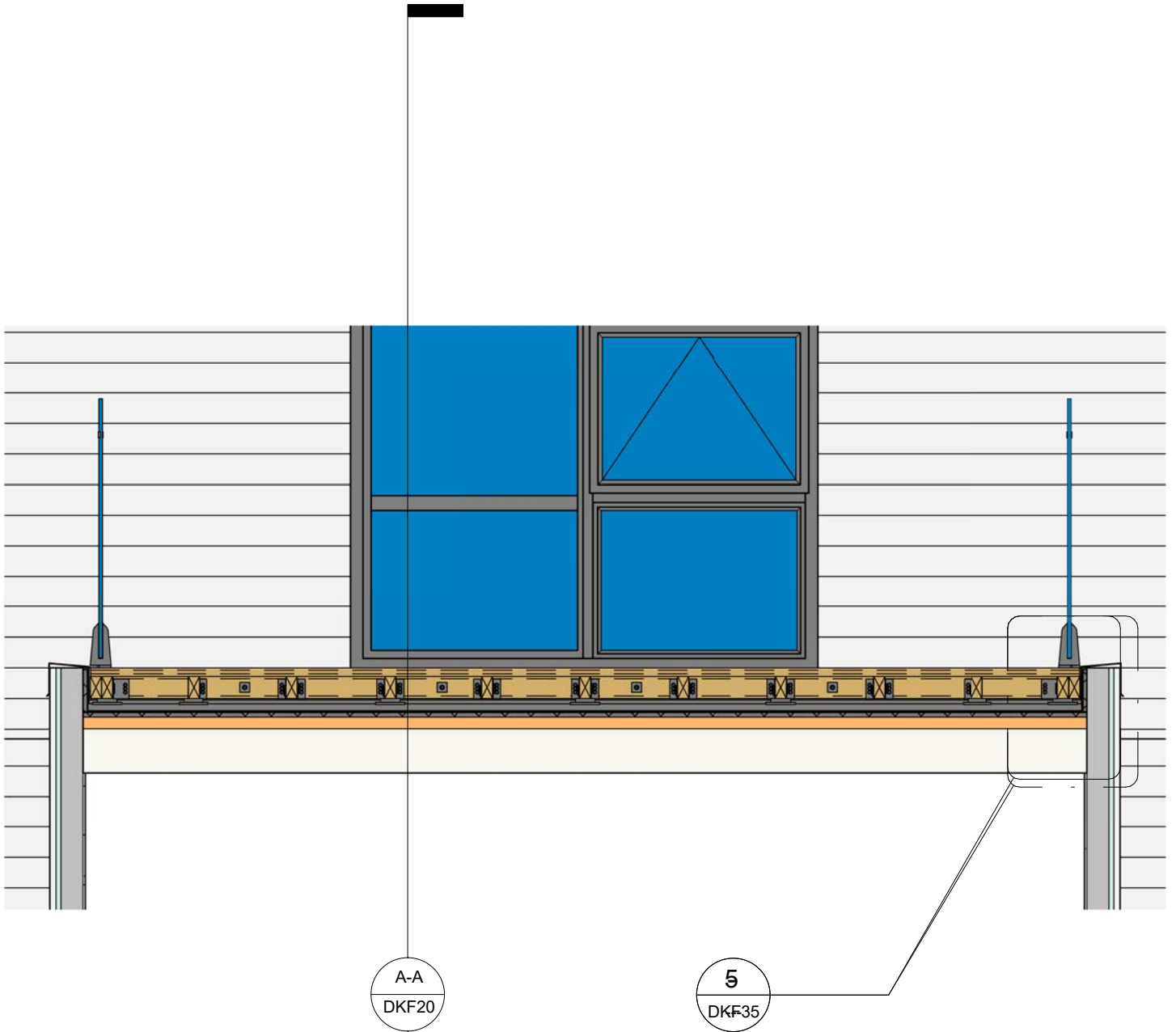
Date: 25/04/17
Scale: 1 : 25

Version 3

Quick Code:

www.glassvice.com
Phone +64 9 414 6565
info@glassvice.com

DKF20



© 2017. The copyright of this document is the property of Glass Vice Limited and shall not be reproduced, copied, loaned or disposed of directly, or indirectly, nor used for any purpose other than that for which it is specifically furnished without prior consent.

glass_vice_deck_float_nib.rvt
All dimensions in millimetres



Glass Vice

Deck Overlay for Glass Vice Fittings - 3875

Section B-B

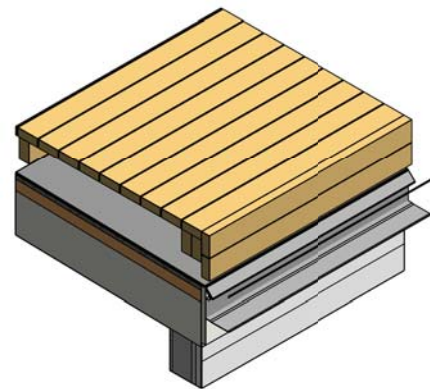
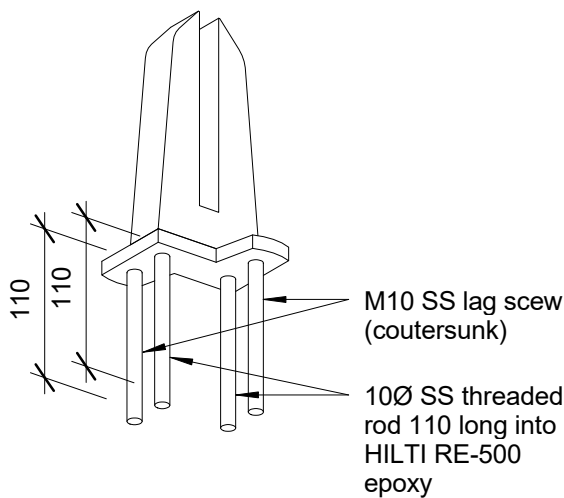
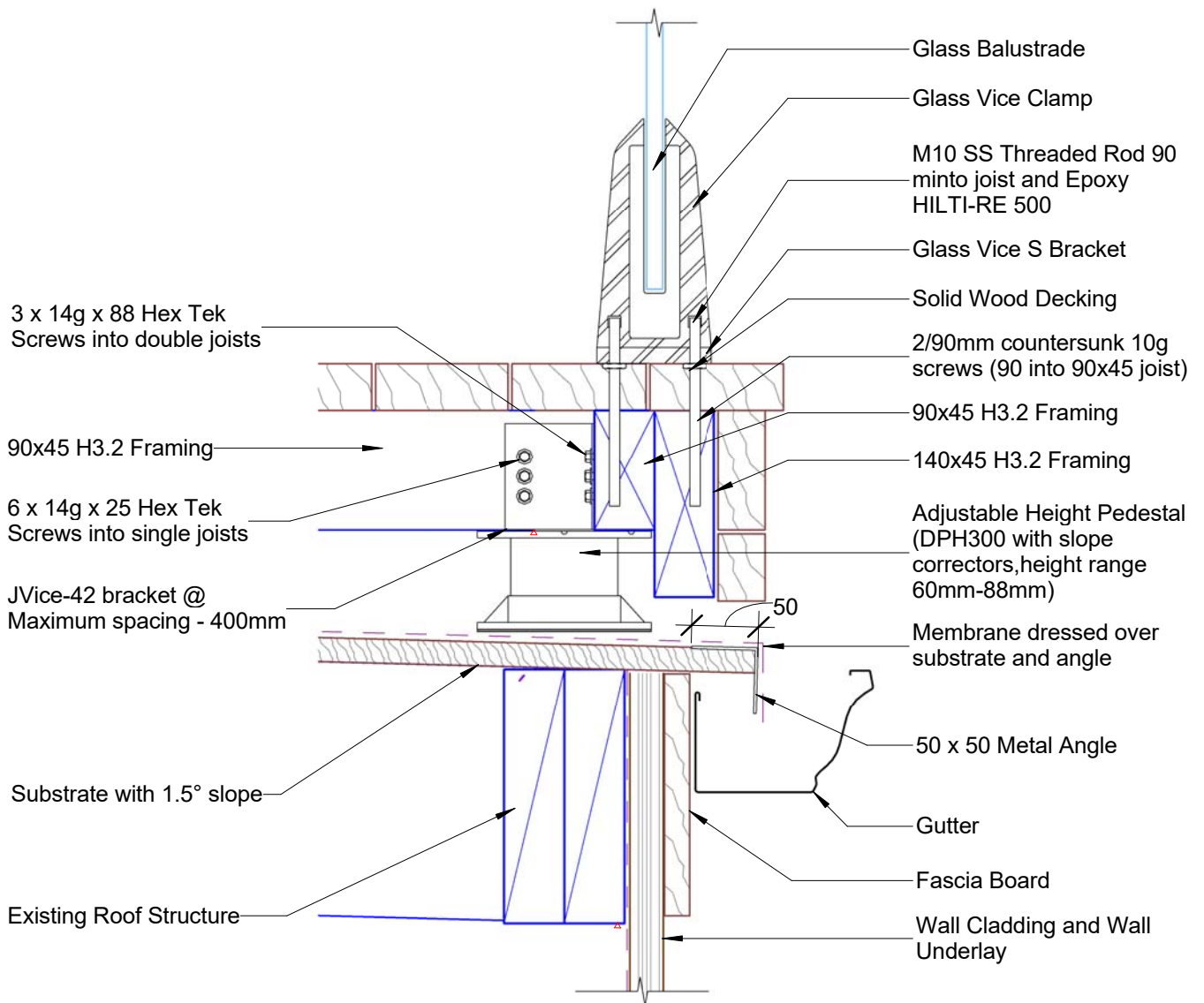
Date: 25/04/17
Scale: 1 : 25

Version 3

Quick Code:

www.glassvice.com
Phone +64 9 414 6565
info@glassvice.com

DKF21



© 2017. The copyright of this document is the property of Glass Vice Limited and shall not be reproduced, copied, loaned or disposed of directly, or indirectly, nor used for any purpose other than that for which it is specifically furnished without prior consent.

glass_vice_deck_float_nib.rvt
All dimensions in millimetres



Glass Vice

Deck Overlay for Glass Vice Fittings - 3875

Detail

Date: 03/10/17
Scale: 1 : 5

Version 3

Quick Code:

www.glassvice.com
Phone +64 9 414 6565
info@glassvice.com

DKF30

Southern Lite Semi
Frameless Balustrade

Refer to PS1 for 1000
1100mm balustrade
Southern Lites @ Semi
Frameless detail top fix
timber SF112

M10 s/s 140mm threaded
lag screw penetrating 90mm
into joist

3 x 14g x 125 Hex Tek
Screws into double joists

6 x 14g x 25 Hex Tek
Screws into single joists

90x45 H3.2 Framing

JVice-42 bracket @
Maximum spacing - 400mm

Substrate with 1.5° slope

Existing Roof Structure

Dome nut

This can be substituted
with a longer joist if
required

3 / 90x45 H3.2 Framing

Adjustable Height Pedestal
(DPH300 with slope
correctors, height range
60mm-88mm)

Membrane dressed over
substrate and angle

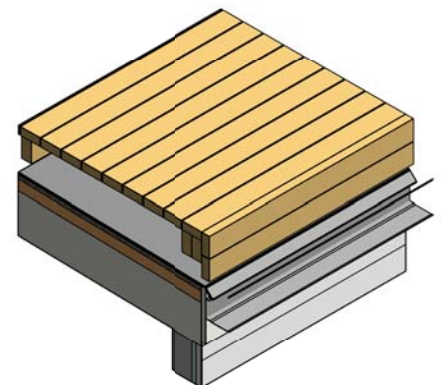
50 x 50 Metal Angle

Gutter

Fascia Board

Wall Cladding and Wall
Underlay

Note: Installation to be in accordance with E2/AS1



© 2017. The copyright of this document is the property of Glass Vice Limited and shall not be reproduced, copied, loaned or disposed of directly, or indirectly, nor used for any purpose other than that for which it is specifically furnished without prior consent.

All dimensions in millimetres



Glass Vice

Deck Overlay for Southern Lite Balustrade

Detail

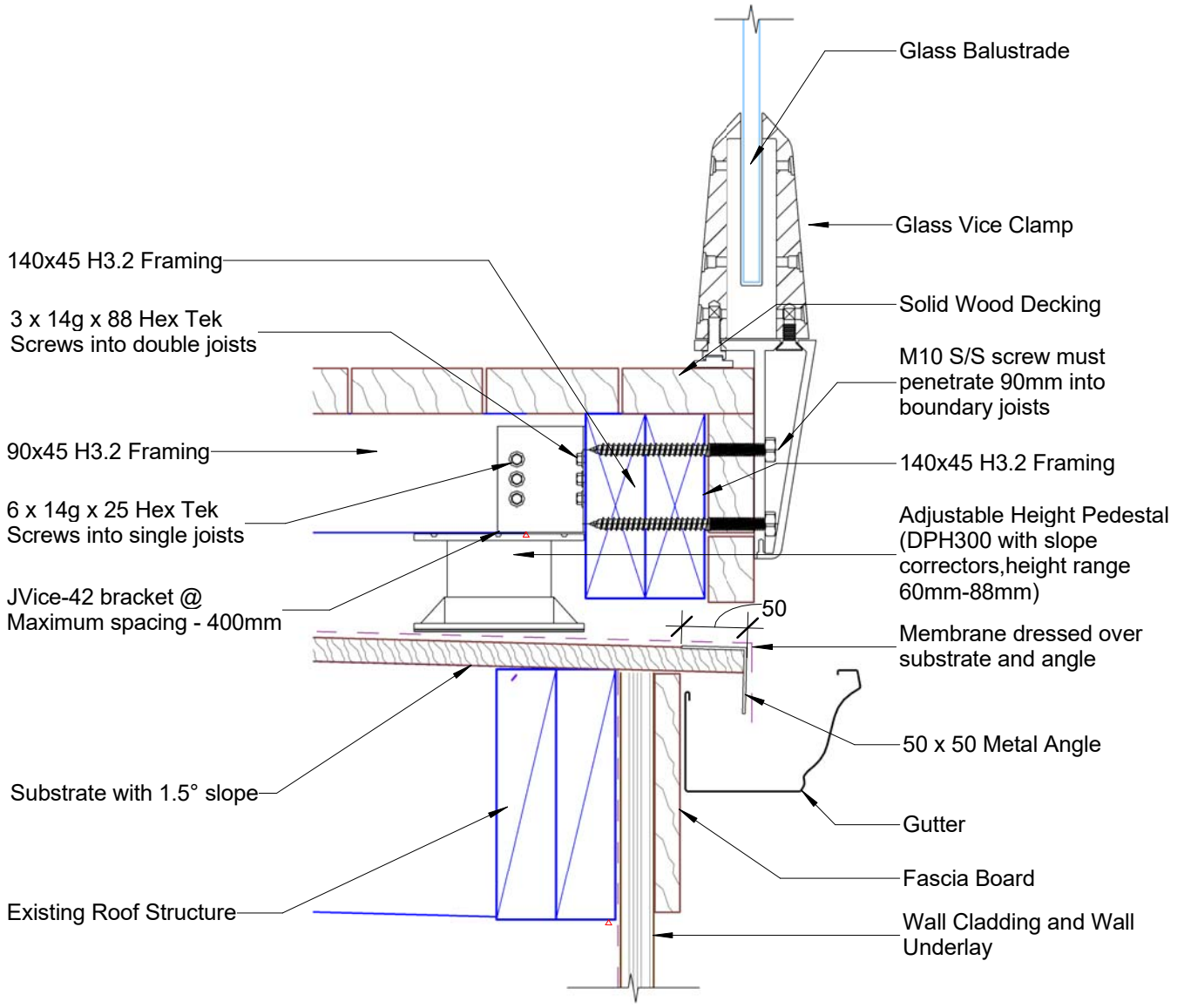
Date: 07/11/17
Scale: 1 : 5

Version 3

Quick Code:

www.glassvice.com
Phone +64 9 414 6565
info@glassvice.com

DKF30a



© 2017. The copyright of this document is the property of Glass Vice Limited and shall not be reproduced, copied, loaned or disposed of directly, or indirectly, nor used for any purpose other than that for which it is specifically furnished without prior consent.

All dimensions in millimetres



Glass Vice

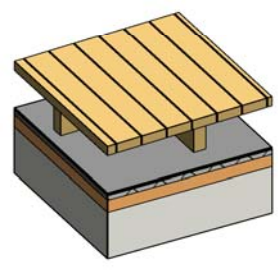
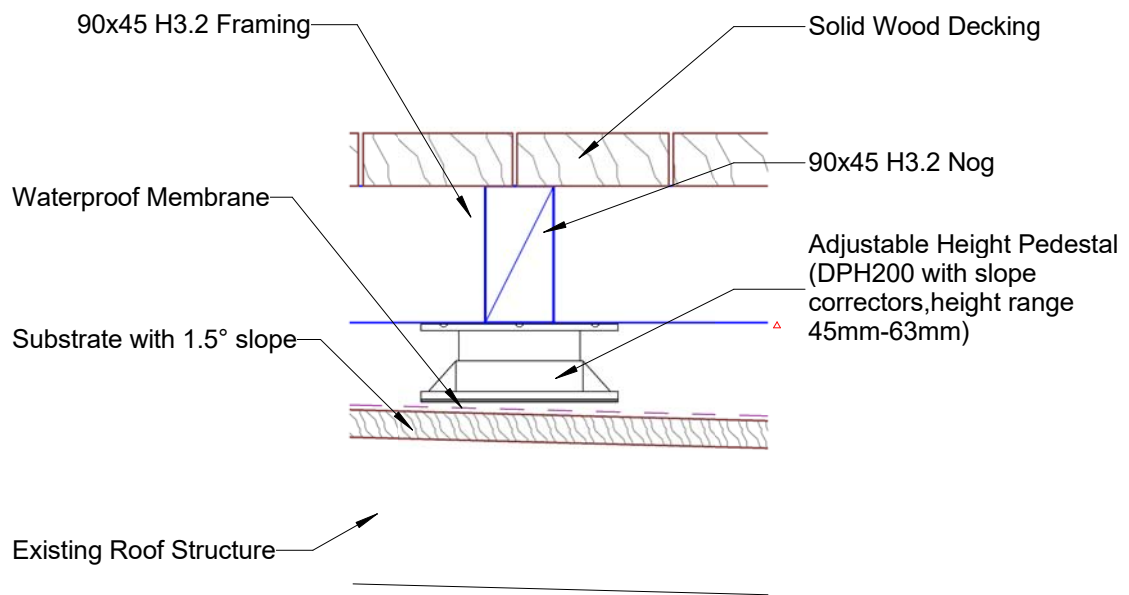
Deck Overlay for Glass Vice Clamp

Glass Vice Clamp

Date: 10/17/17
 Scale: 1 : 5
 Version 3
 Quick Code:

www.glassvice.com
 Phone +64 9 414 6565
 info@glassvice.com

DKF30b



© 2017. The copyright of this document is the property of Glass Vice Limited and shall not be reproduced, copied, loaned or disposed of directly, or indirectly, nor used for any purpose other than that for which it is specifically furnished without prior consent.

glass_vice_deck_float_nib.rvt
All dimensions in millimetres

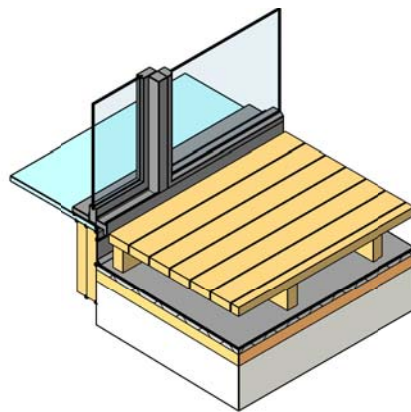
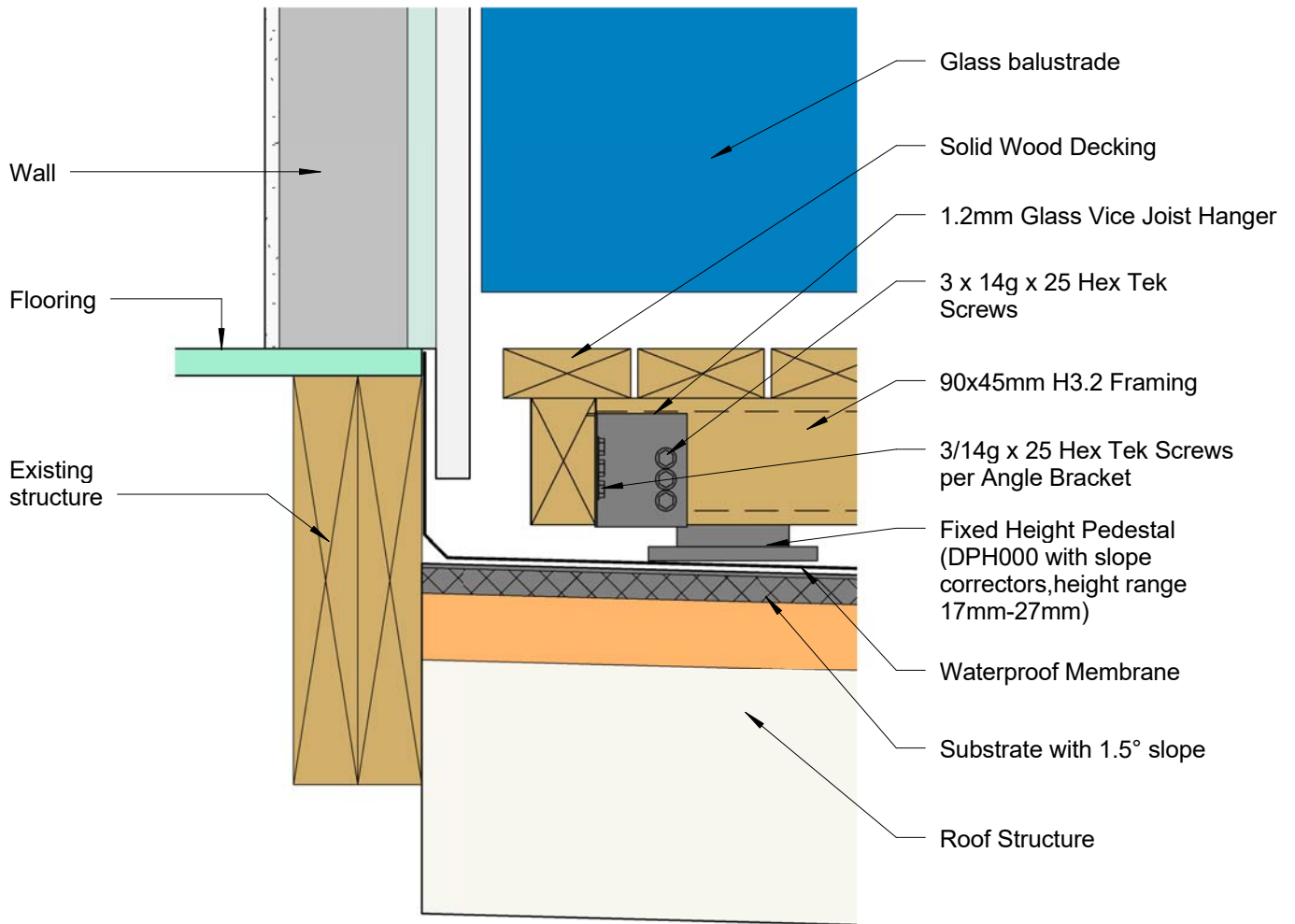


Glass Vice
Deck Overlay for Glass Vice Fittings - 3875
Detail 2

Date: 25/04/17
Scale: 1 : 5
Version 3
Quick Code:

www.glassvice.com
Phone +64 9 414 6565
info@glassvice.com

DKF31



© 2017. The copyright of this document is the property of Glass Vice Limited and shall not be reproduced, copied, loaned or disposed of directly, or indirectly, nor used for any purpose other than that for which it is specifically furnished without prior consent.

glass_vice_deck_float_nib.rvt
All dimensions in millimetres



Glass Vice

Deck Overlay for Glass Vice Fittings - 3875

Detail 3

Date: 03/11/17
Scale: 1 : 5

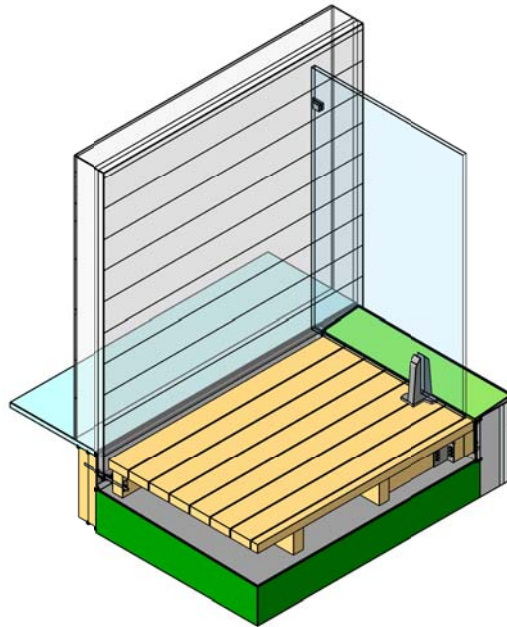
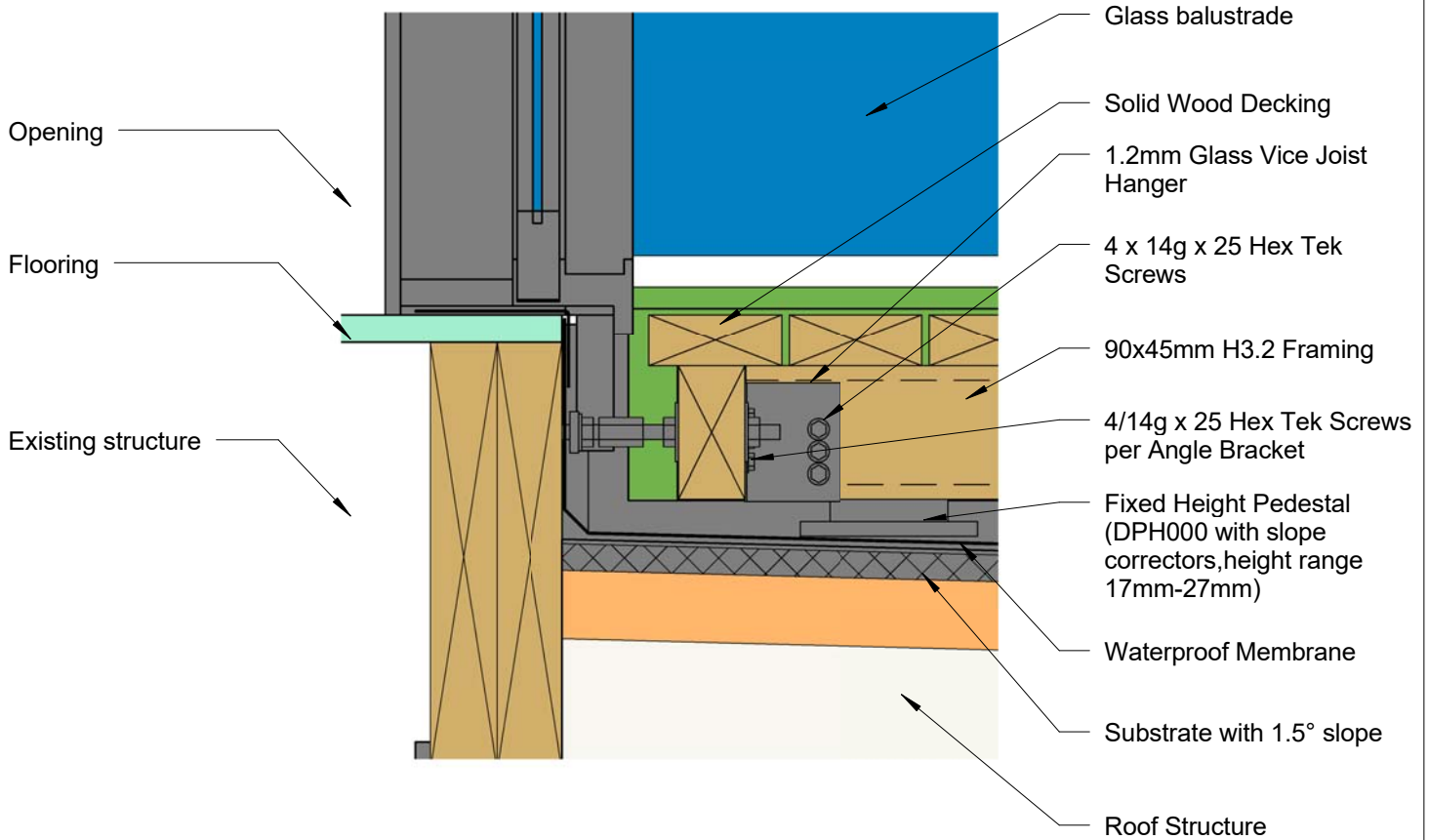
Version 3

Quick Code:

www.glassvice.com
Phone +64 9 414 6565
info@glassvice.com

DKF32

12mm gap min.



© 2017. The copyright of this document is the property of Glass Vice Limited and shall not be reproduced, copied, loaned or disposed of directly, or indirectly, nor used for any purpose other than that for which it is specifically furnished without prior consent.

glass_vice_deck_float_nib.rvt
All dimensions in millimetres



Glass Vice

Deck Overlay for Glass Vice Fittings - 3875

Detail 4

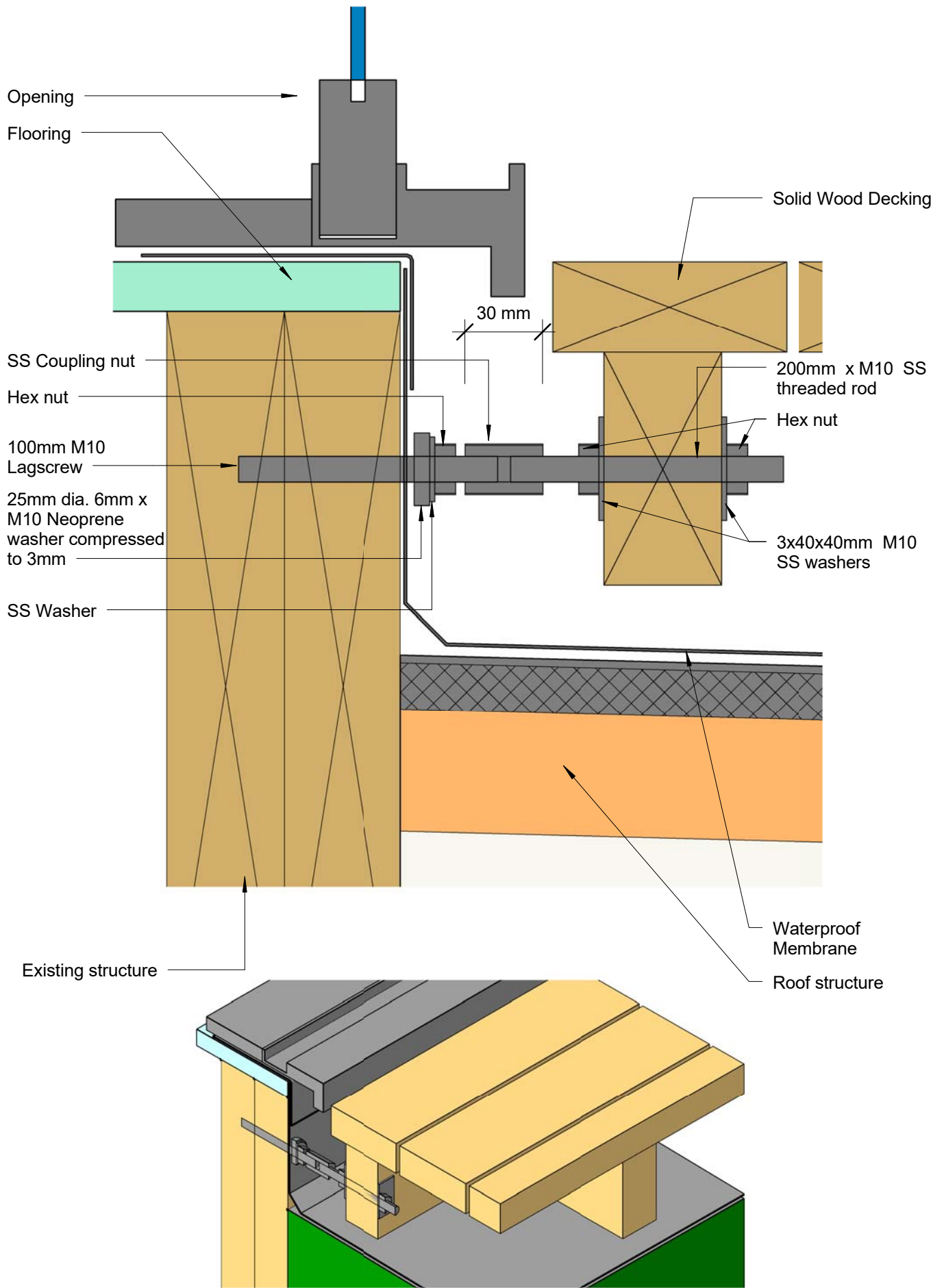
Date: 03/11/17
Scale: 1 : 5

Version 3

Quick Code:

www.glassvice.com
Phone +64 9 414 6565
info@glassvice.com

DKF33



© 2017. The copyright of this document is the property of Glass Vice Limited and shall not be reproduced, copied, loaned or disposed of directly, or indirectly, nor used for any purpose other than that for which it is specifically furnished without prior consent.

glass_vice_deck_float_nib.rvt
All dimensions in millimetres



Glass Vice

Deck Overlay for Glass Vice Fittings - 3875

Detail 5 - Deck Connection Detail

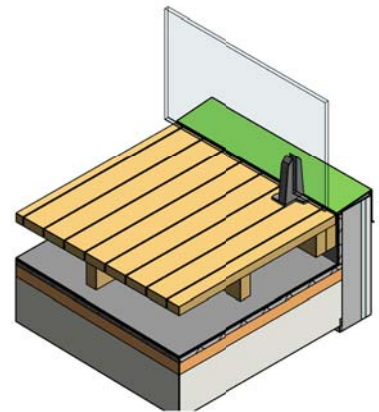
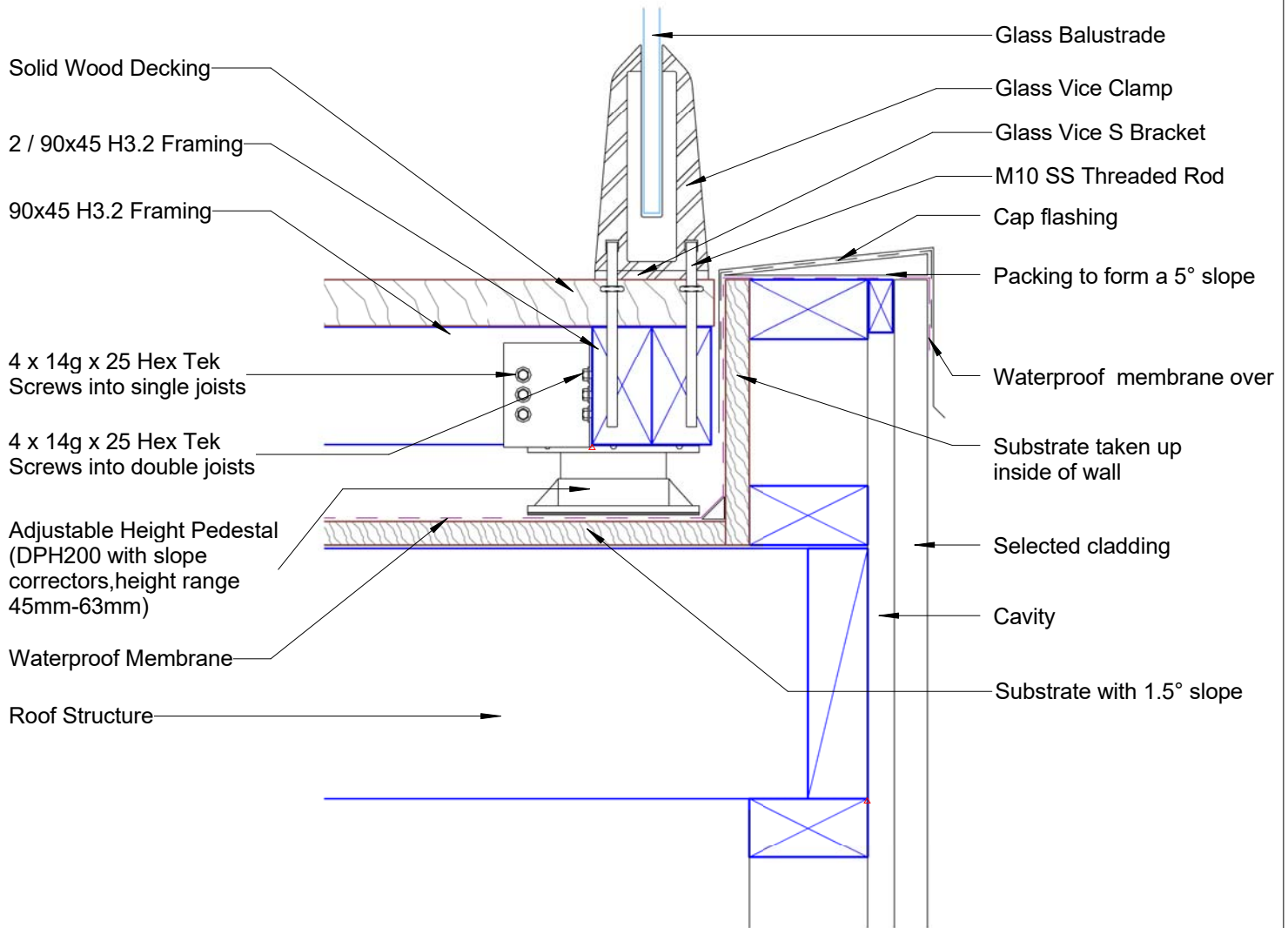
Date: 25/04/17
Scale: 1 : 2

Version 3

Quick Code:

www.glassvice.com
Phone +64 9 414 6565
info@glassvice.com

DKF34



© 2017. The copyright of this document is the property of Glass Vice Limited and shall not be reproduced, copied, loaned or disposed of directly, or indirectly, nor used for any purpose other than that for which it is specifically furnished without prior consent.

glass_vice_deck_float_nib.rvt
All dimensions in millimetres



Glass Vice

Deck Overlay for Glass Vice Fittings - 3875

Nib Edge Detail

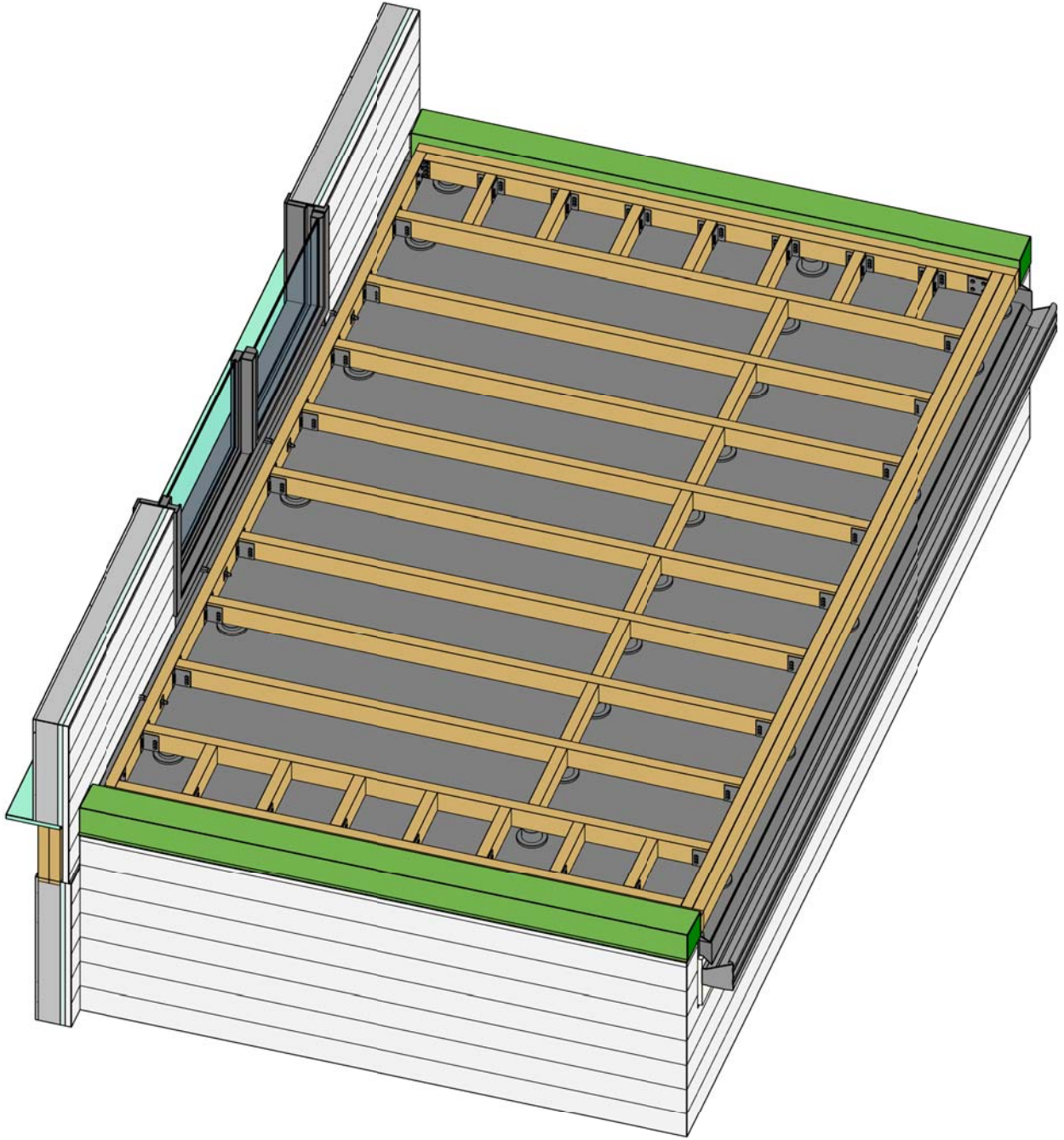
Date: 25/04/17
Scale: 1 : 5

Version 3

Quick Code:

www.glassvice.com
Phone +64 9 414 6565
info@glassvice.com

DKF35



© 2017. The copyright of this document is the property of Glass Vice Limited and shall not be reproduced, copied, loaned or disposed of directly, or indirectly, nor used for any purpose other than that for which it is specifically furnished without prior consent.

glass_vice_deck_float_nib.rvt
All dimensions in millimetres

**GLASS
VICE**

Glass Vice

Deck Overlay for Glass Vice Fittings - 3875

Deck Framing, Indicative wall edges

Date: 25/04/17
Scale:

Version 3

Quick Code:

www.glassvice.com
Phone +64 9 414 6565
info@glassvice.com

DKF36