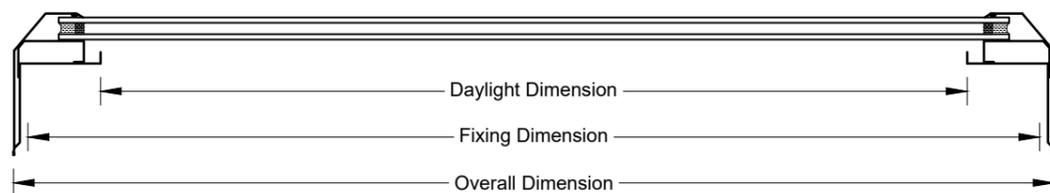
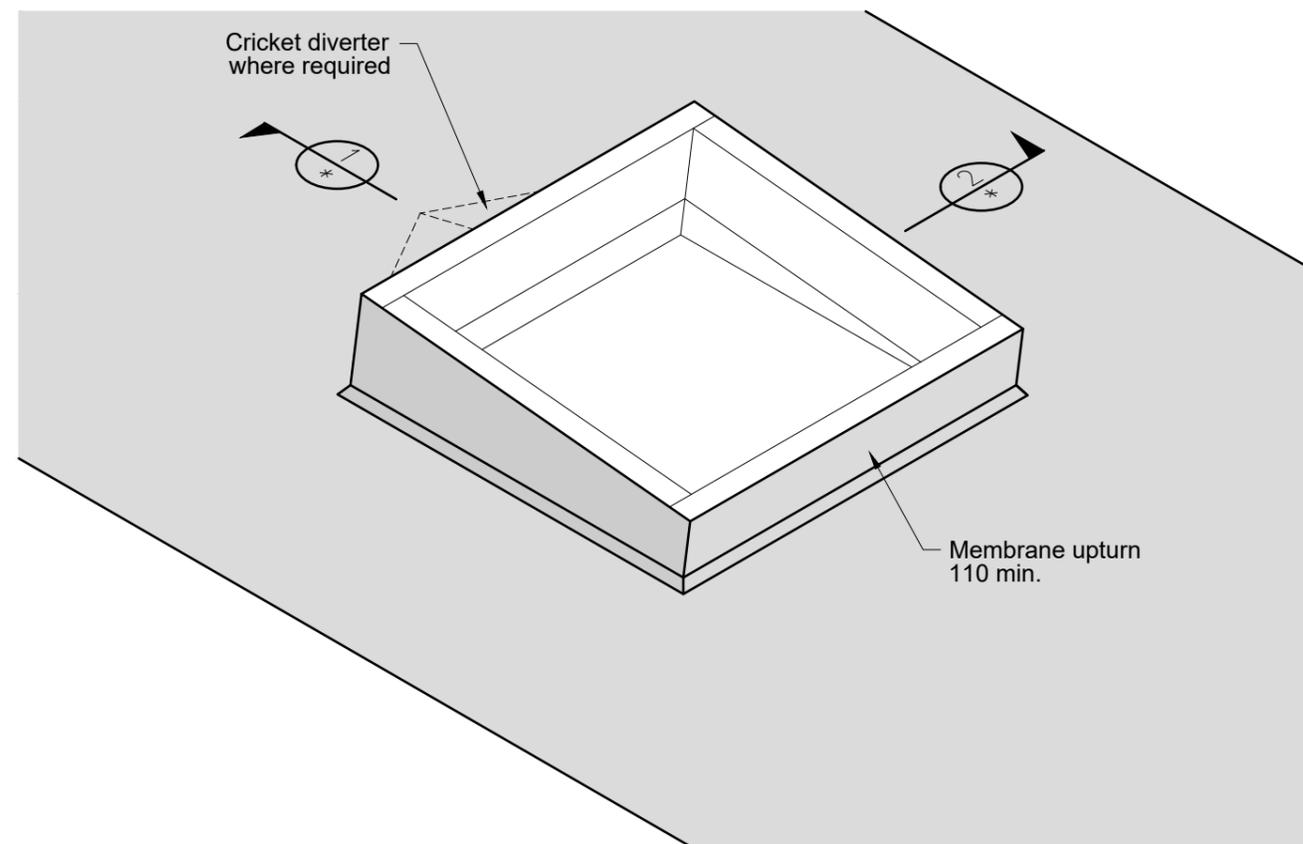


\* Dimensions to be in accordance with NZBC Clause E2



Roof Window (non-vent)			
Model No.	Daylight Dimension (mm)	Fixing Dimension (mm)	Overall Dimension (mm)
<b>RW77</b>	580 x 580	680 x 680	705 x 705
<b>RW86</b>	625 x 475	725 x 575	750 x 600
<b>RW99</b>	785 x 785	885 x 885	910 x 910
<b>RW106</b>	905 x 475	1005 x 575	1030 x 600
<b>RW108</b>	905 x 705	1005 x 805	1030 x 830
<b>RW128</b>	1105 x 705	1205 x 805	1230 x 830
<b>RW137</b>	1190 x 580	1290 x 680	1315 x 705
<b>RW148</b>	1325 x 705	1425 x 805	1450 x 830
<b>RW1212</b>	1105 x 1065	1205 x 1165	1230 x 1190
<b>RW1313</b>	1190 x 1190	1290 x 1290	1315 x 1315
<b>RW1412</b>	1325 x 1065	1425 x 1165	1450 x 1190



Not to scale, do not scale from drawing. All details are generic in nature and should be read in conjunction with the roofing manufacturers' standard penetration details.



ADLUX Industries Ltd. ©  
 36 Olive Road, Penrose  
 P.O. Box 13866, Auckland  
 New Zealand.  
 Ph: (09) 636 6866  
 Fax: (09) 636 6846  
 Email: sales@adlux.co.nz

**ROOF WINDOW non-vent (Double Glazed)**  
**MEMBRANE ROOFING (Pitched Upstand)**  
 For roofs less than 5°

DATE: 13/02/19

DWG No: RW-MEM-PU