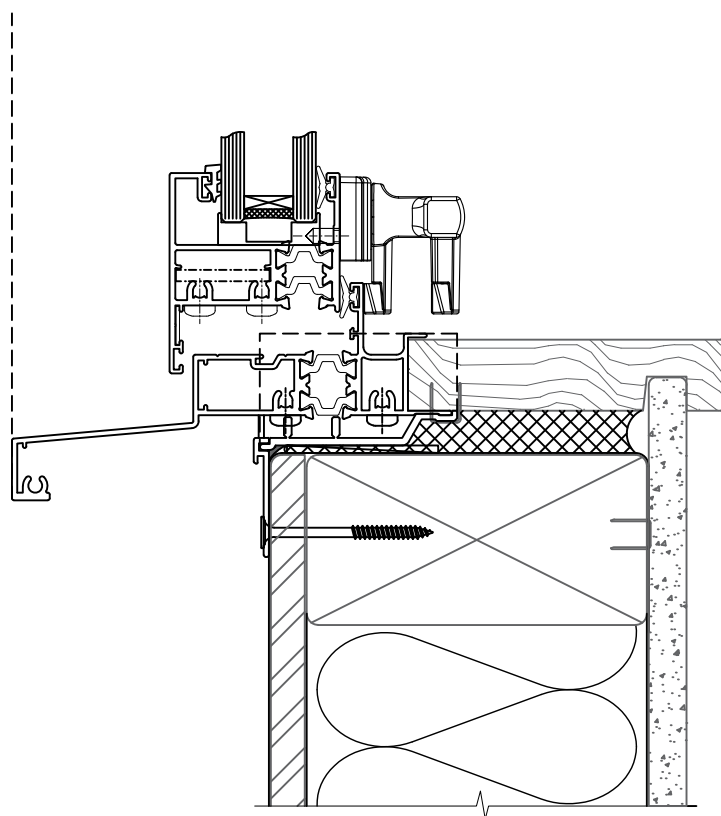
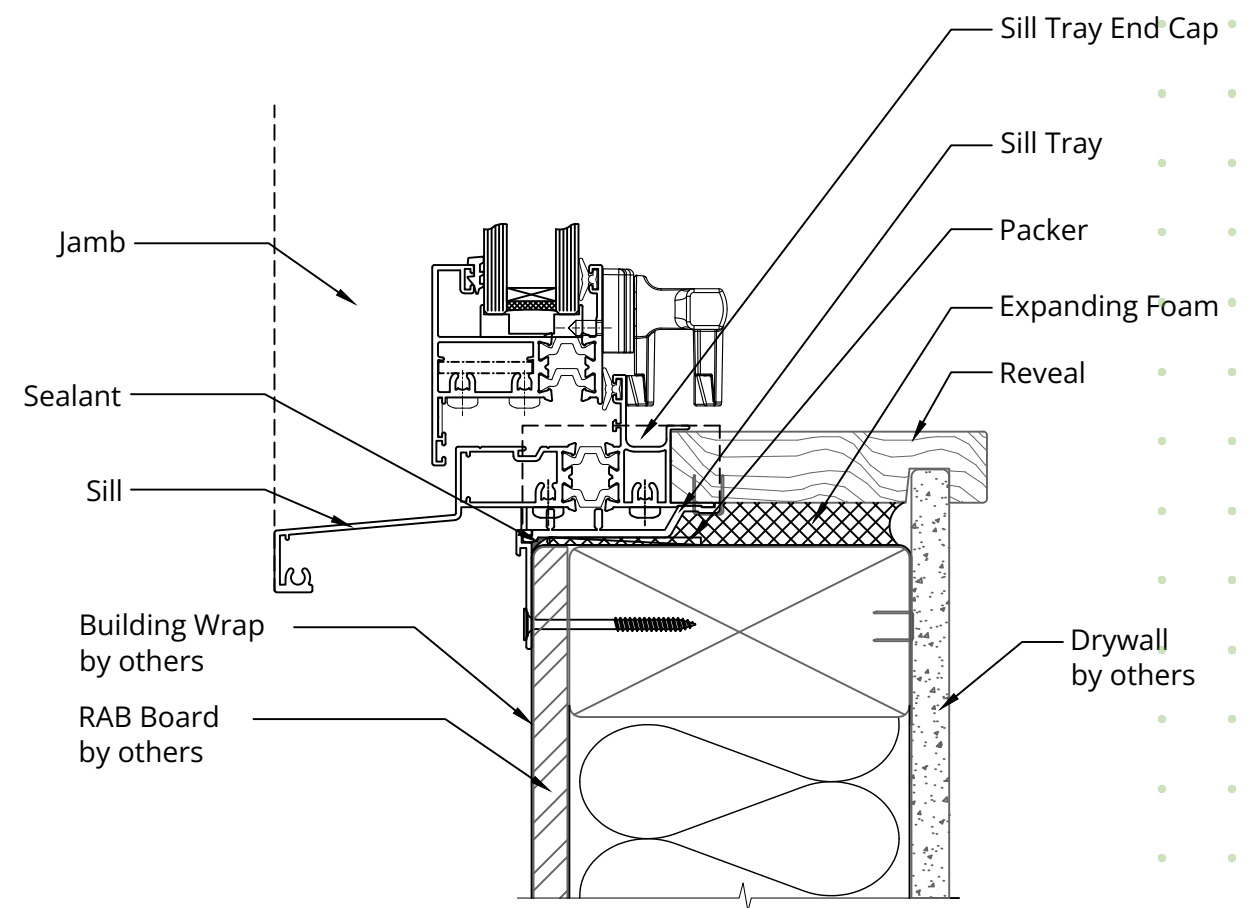


FMI BUILDING INNOVATION TL40+ THERMAL INSTALLATION METHOD

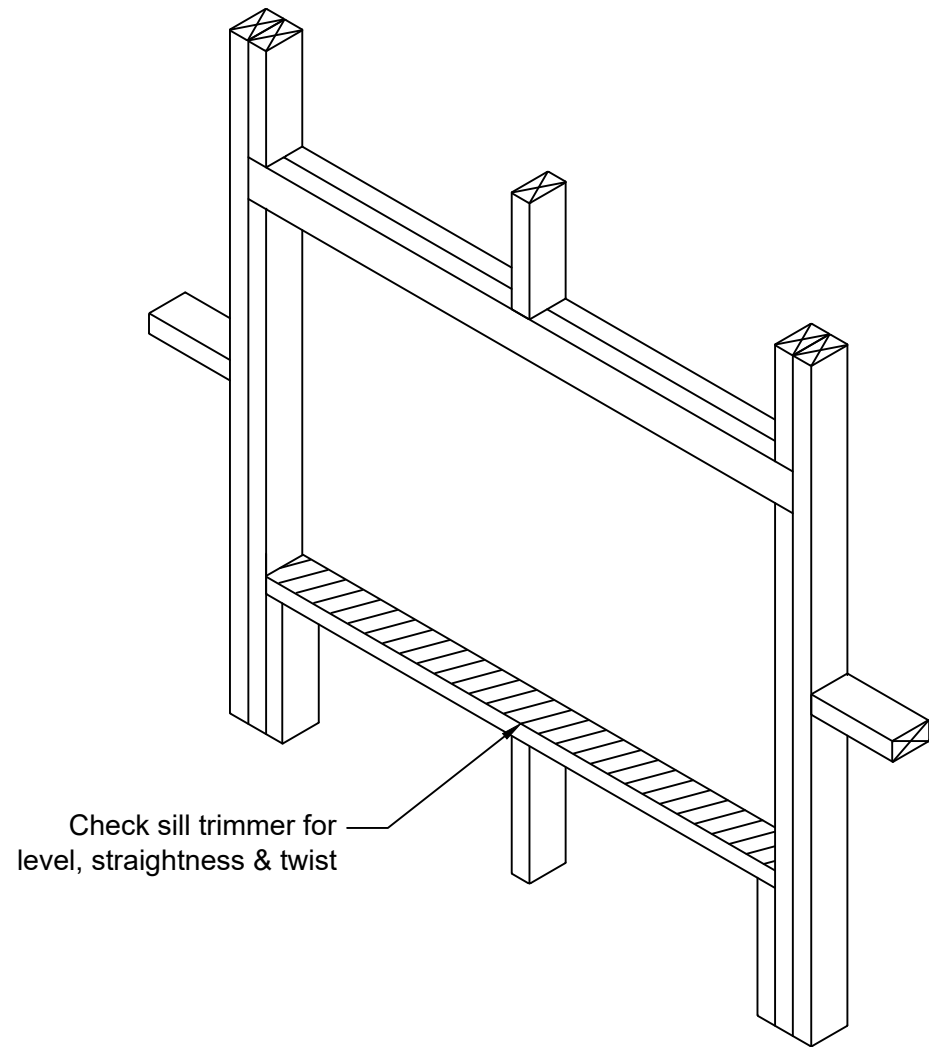


Cavity details allow window and door units to be fully sealed to the cladding. These details are suitable for cleaning with hose water



FMI Building Innovation Limited will not accept direct or consequential liability of any kind, howsoever arising, associated with the use, application or modification of the FMI BI described herein or any losses, costs or expenses associated therewith.

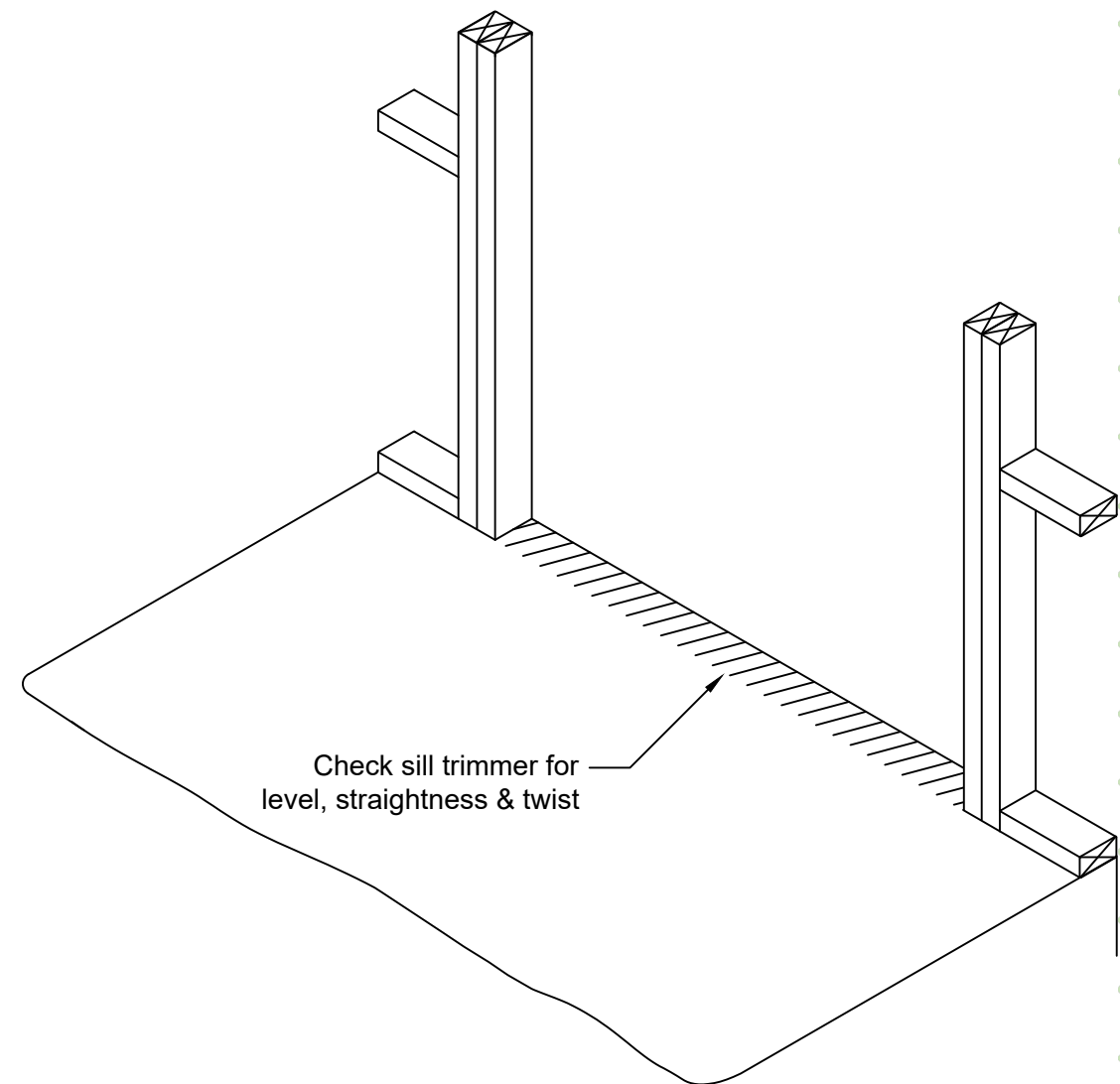


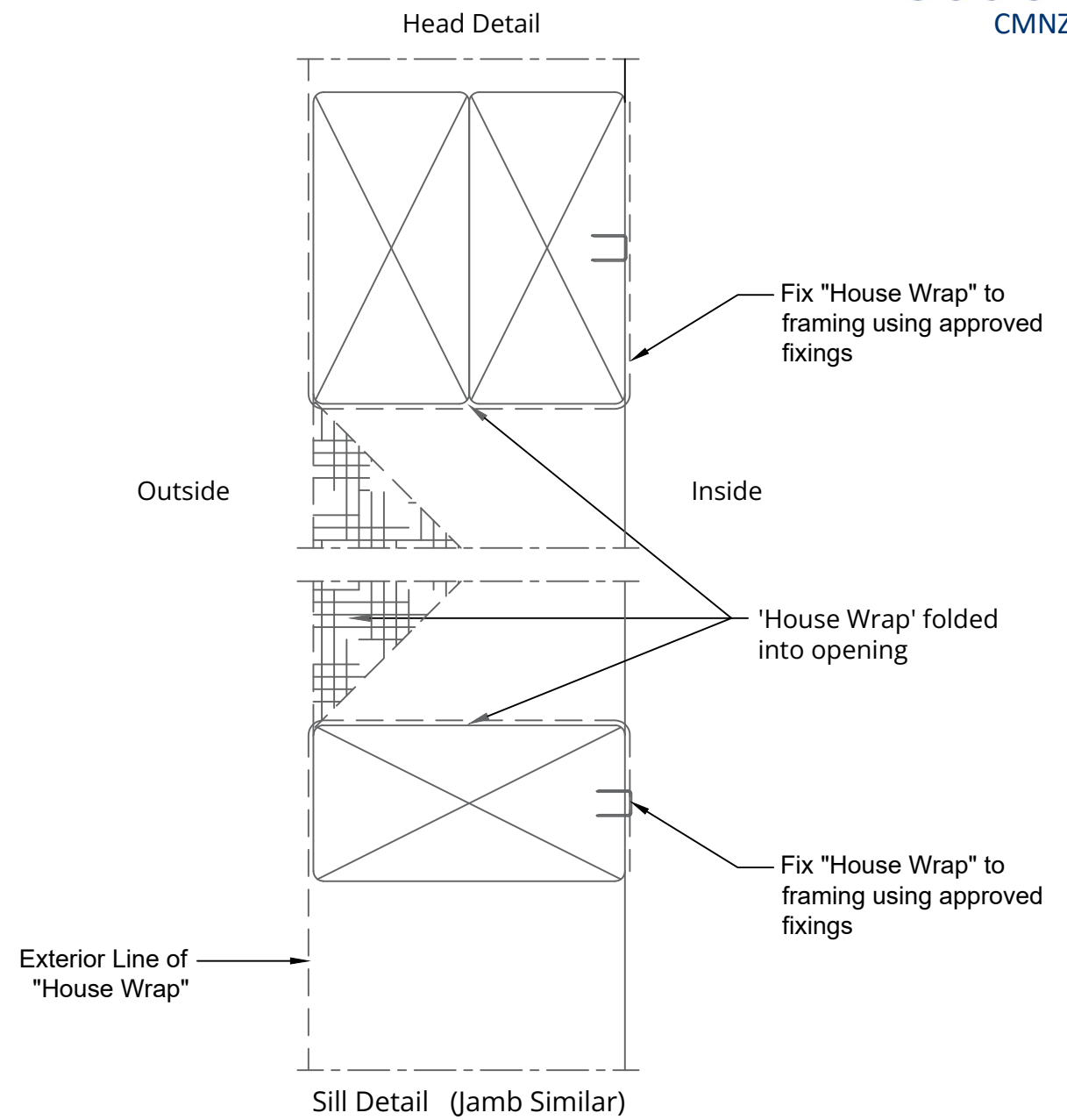
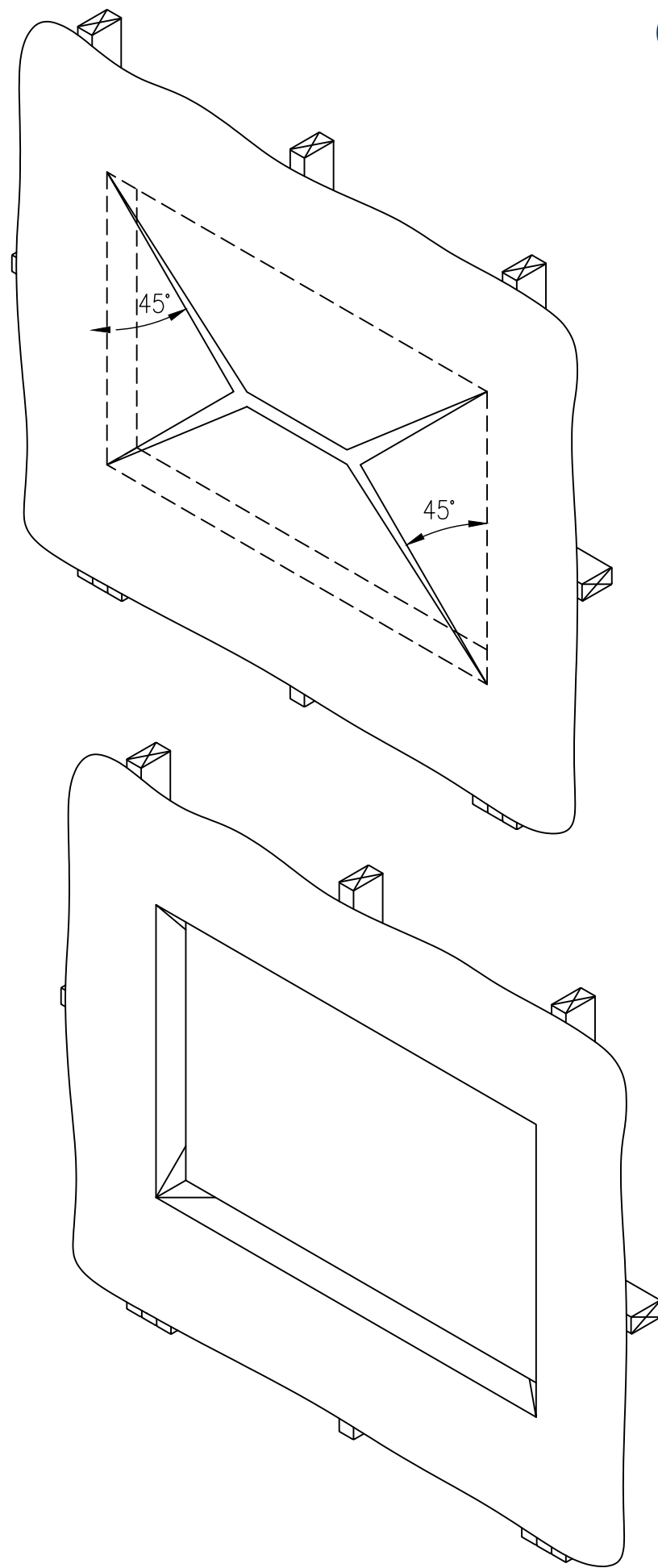


IMPORTANT NOTE

Before the house wrap is cut and prepared, the sill trimmer is checked for level, straightness and twist. If required the sill trimmer should be planed level to ensure optimum performance of the FMI BI Installation System.

Recommendation
FMI BI recommend the use of stable timber for the sill trimmer.



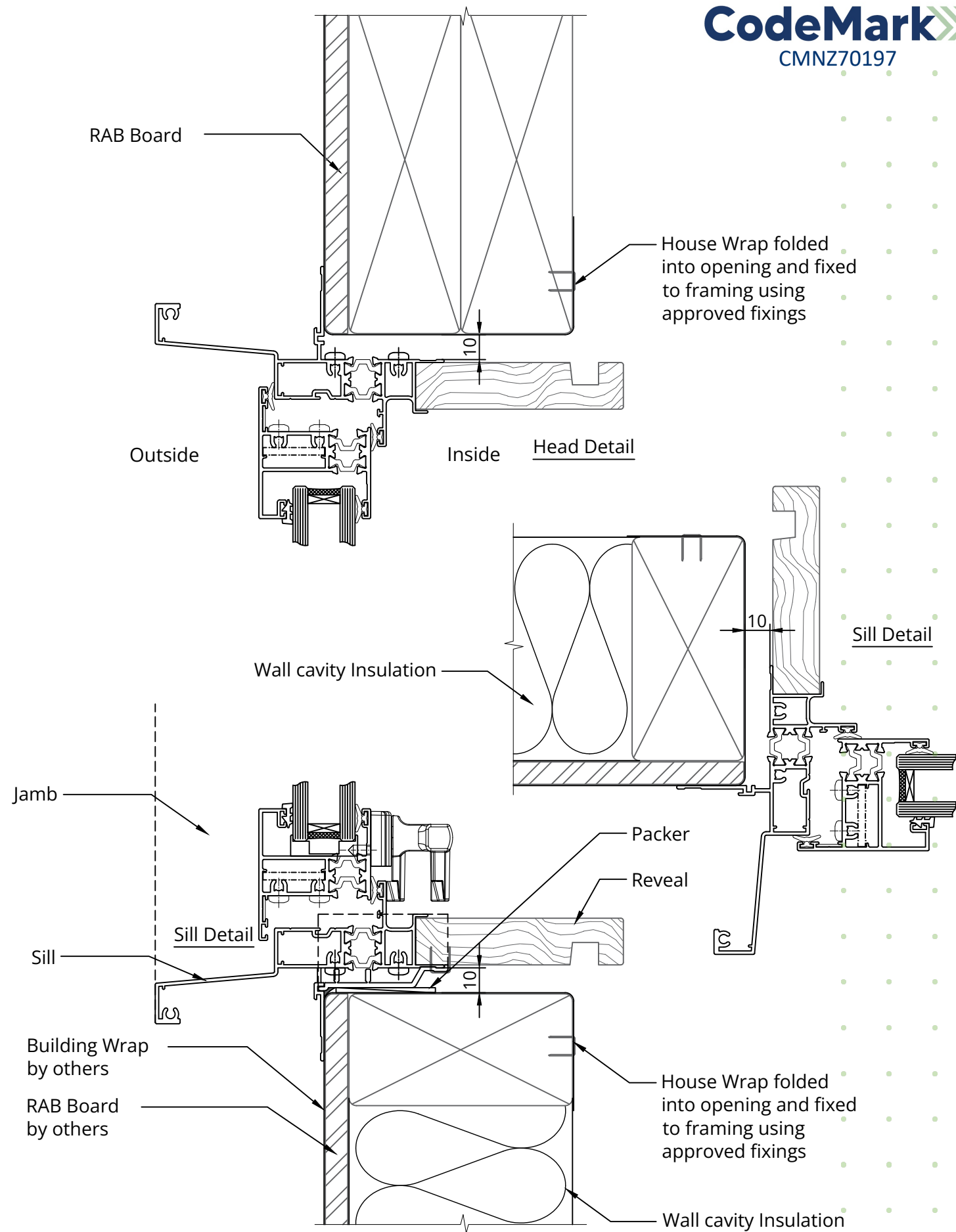


- 2.1 Cut 'House Wrap' at 45° away from each corner.

NOTE:
45° gives maximum possible coverage of timber when the wrap is folded in.

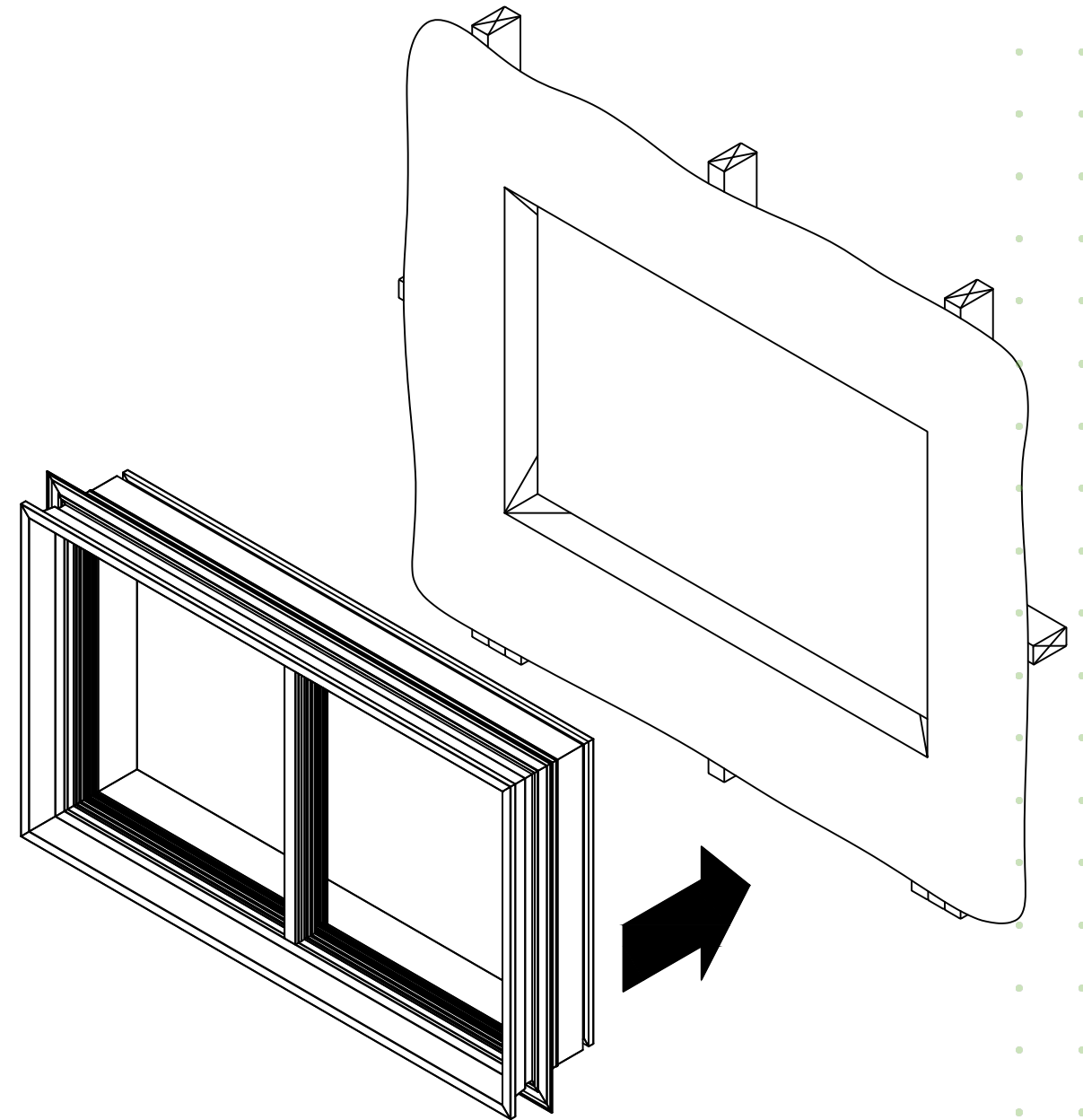
- 2.2 Fold flaps tightly into opening and secure on all sides, ensure fixings are on the inside face of framing.
- 2.3 Trim off excess after fixing.





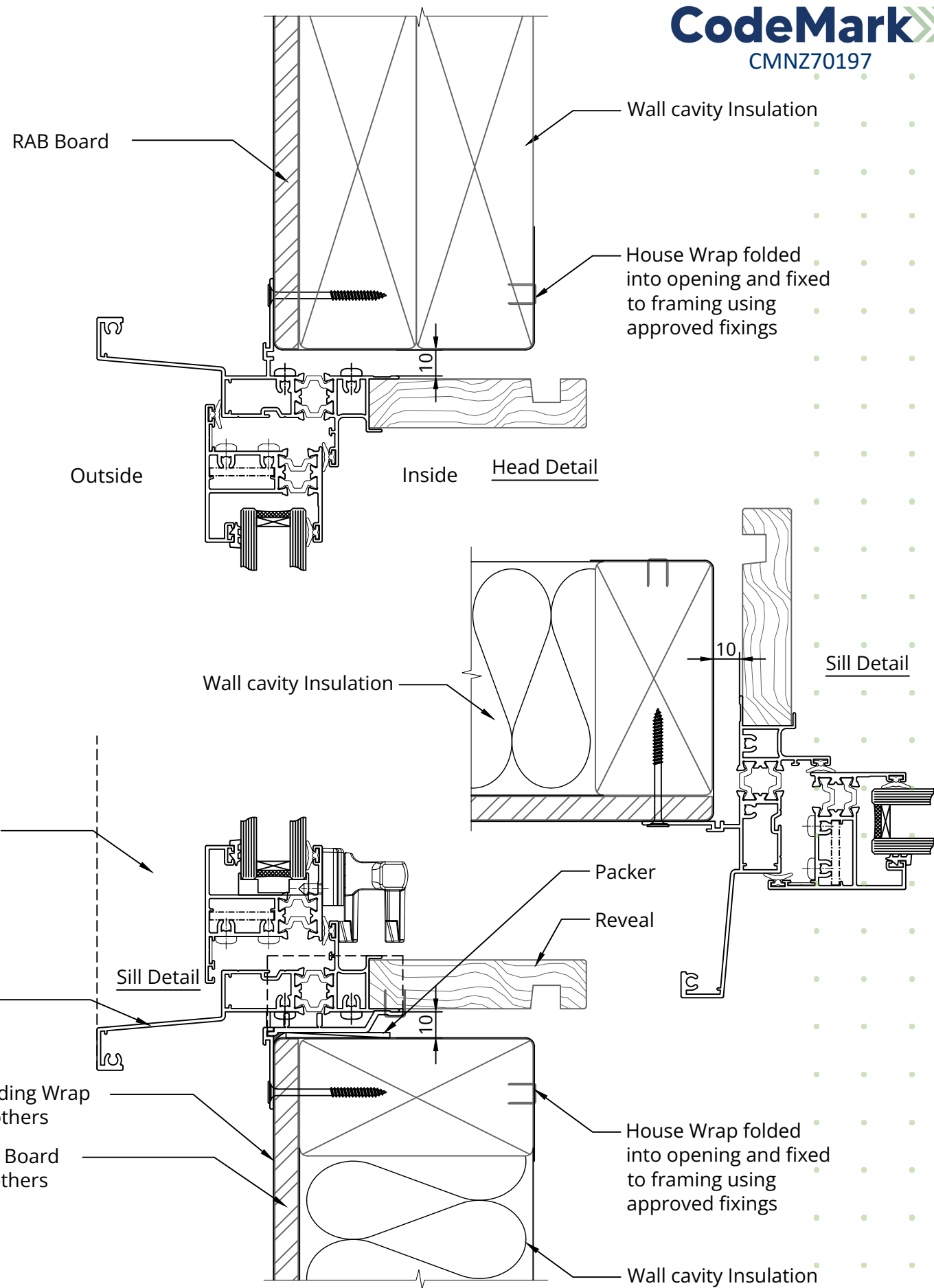
Step 3 Position unit in opening

- 3.1 Position unit into opening.
- 3.2 Ensure unit is positioned so that;
 - i) interior linings finish in the correct plane.
 - ii) a 10mm nominal gap is maintained between unit and trimmer.



View from outside



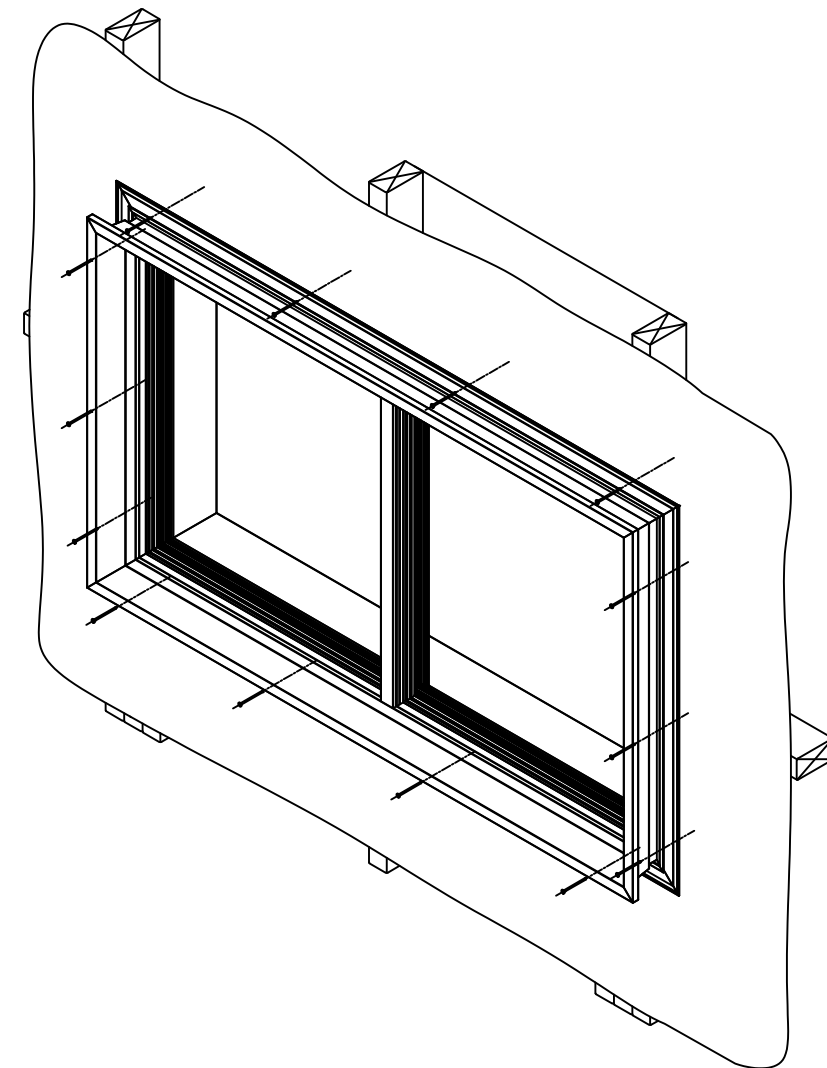


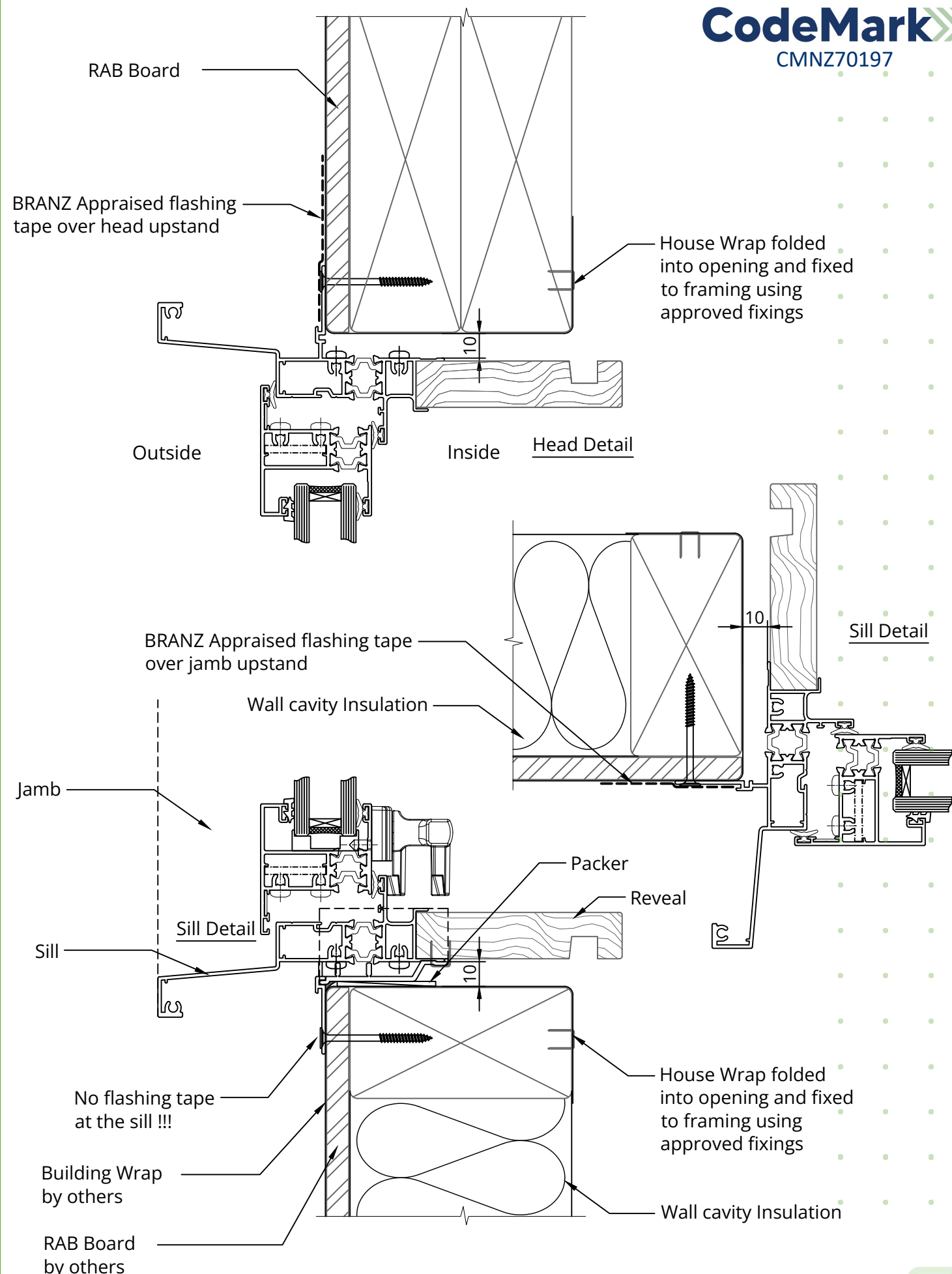
Step 4 Fix off outside of unit

- 4.1 Insert flat packers between window sill and wall framing at 450 ctrs to level the unit.
- 4.2 If necessary, insert face packers between the wall framing and the frame nailing fin.
- 4.3 Fix the aluminium window to the wall structure using 10g x 32 SS screws 150mm from corners and at 300mm centres. For concrete floors, used 10g x 50mm SS into plugs 150mm from corners and at 300mm centres.

NOTE: Mechanical fixings only 150mm from corners and at 300mm centres.

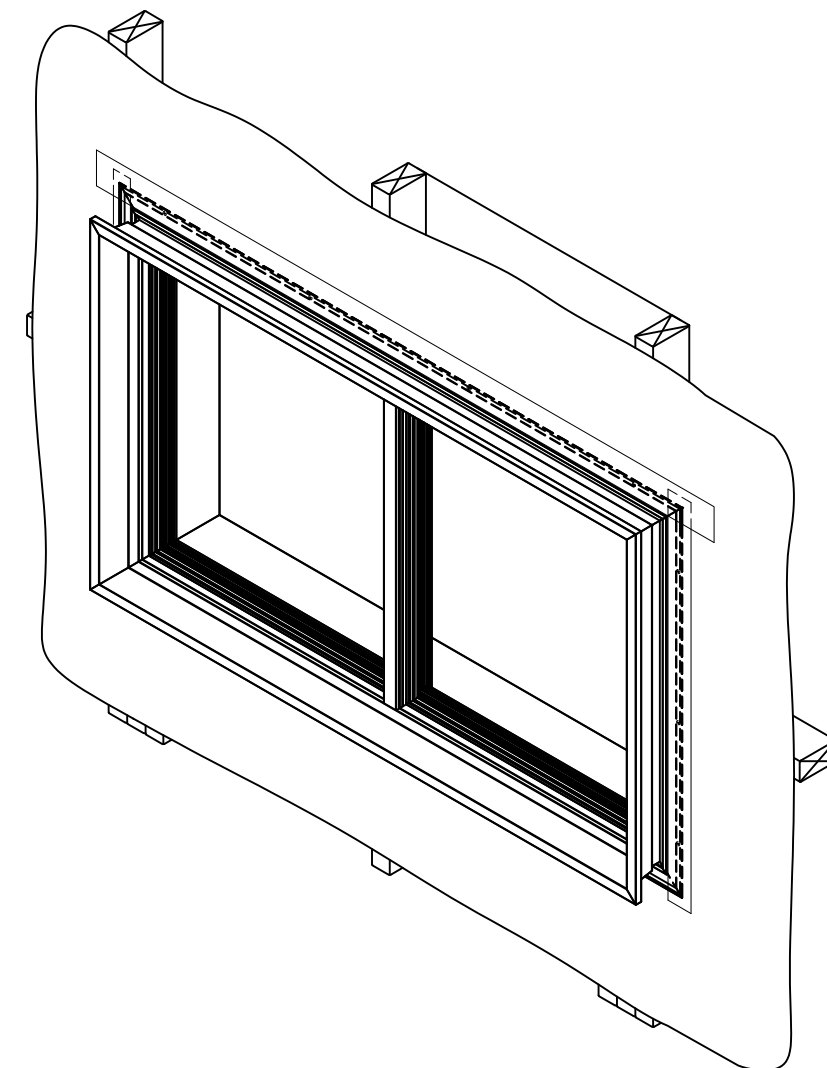
Expandable foam is NOT an approved fixing method.

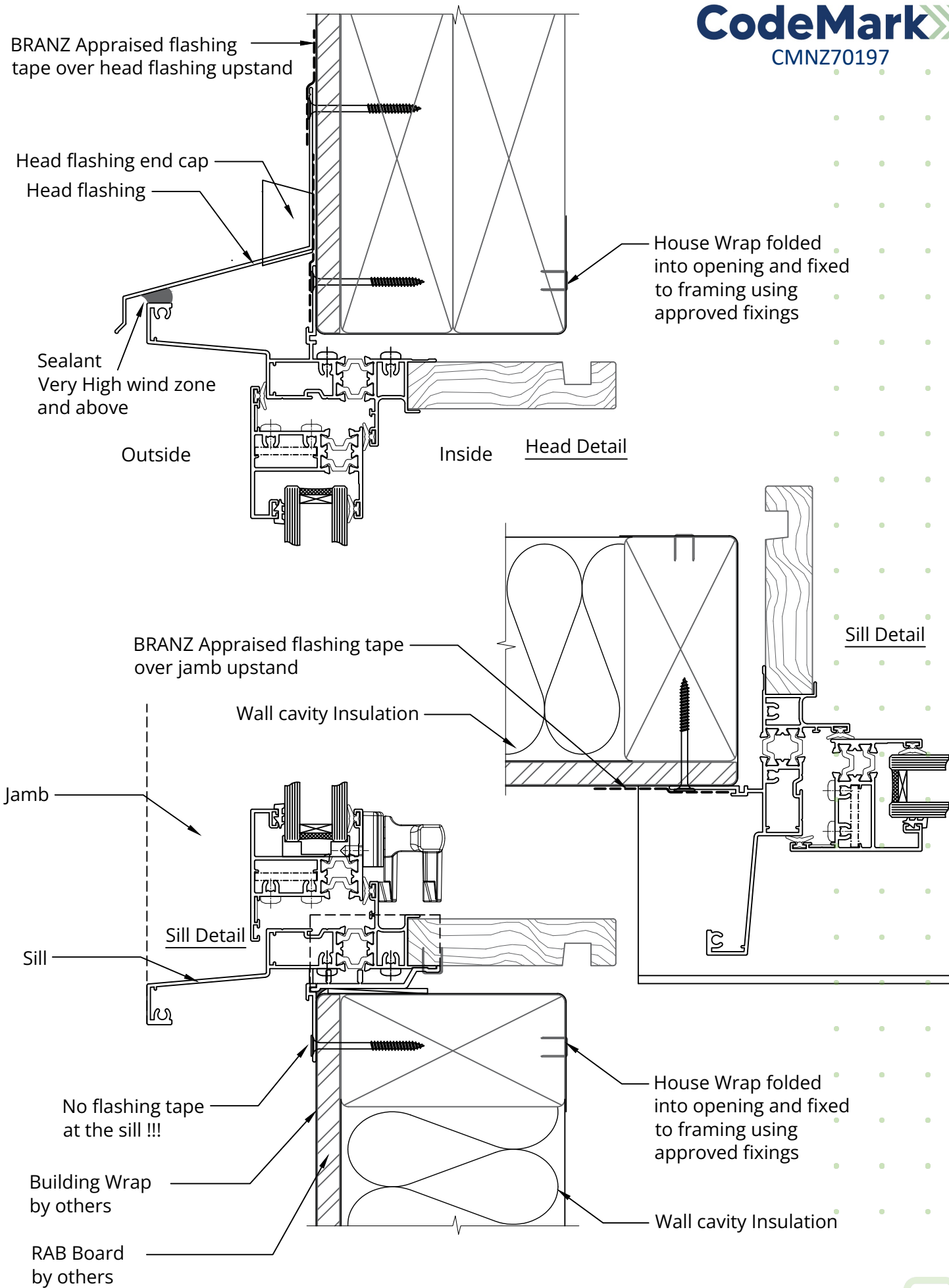




Step 5 Tape outside of unit

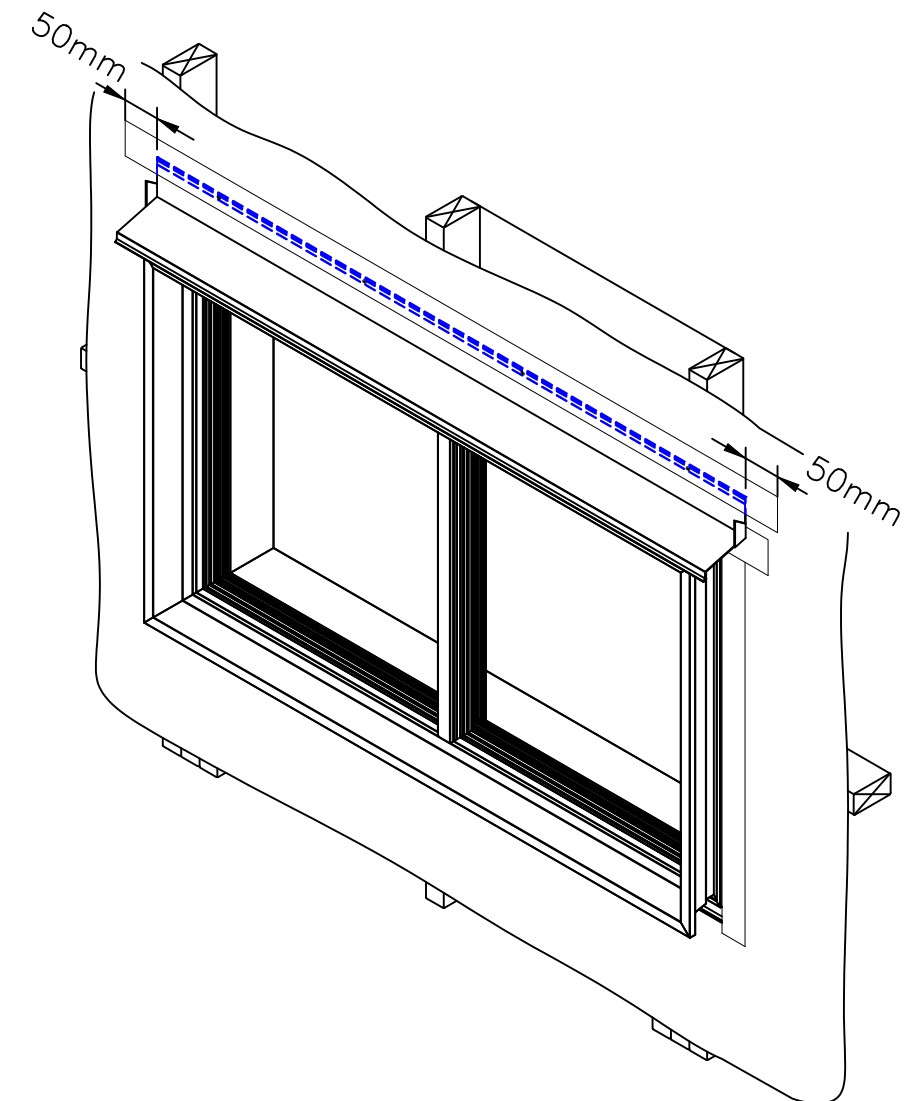
- 5.1 The unit needs to be taped at head and jambs. No tape at the sill.
- 5.2 The tape should be a BRANZ appraised flashing tape with a minimum width of 50mm suitable for bonding to powdercoated or anodised aluminium, rigid barrier or building wrap.
- 5.3 Apply the jamb tapes first making sure that the tape covers all the screw heads.
- 5.4 Apply the head tape making sure it covers over top ends of jamb tapes.

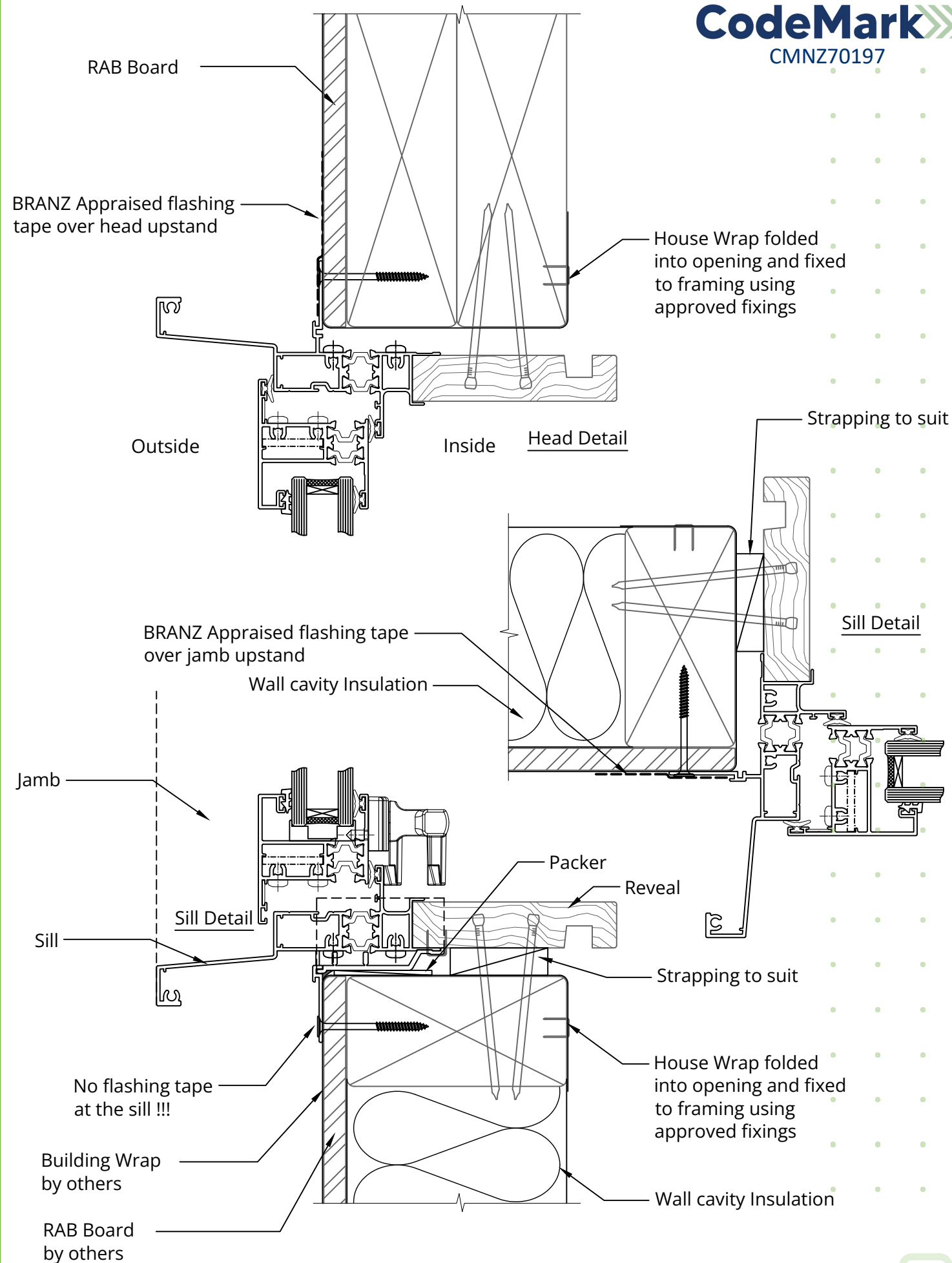




Step 6 Head Flashing

- 6.1 Fix the head flashing in place above the window.
- 6.2 Seal between head flashing and window flange for Very High wind zone and above.
- 6.3 Tape top edge of head flashing to house wrap or RAB board. The tape should be a BRANZ appraised flashing tape with a minimum width of 50mm, suitable for bonding to powdercoated or anodised aluminium, rigid barrier or building wrap. Run tape 50mm wider than head flashing covering all fixings.

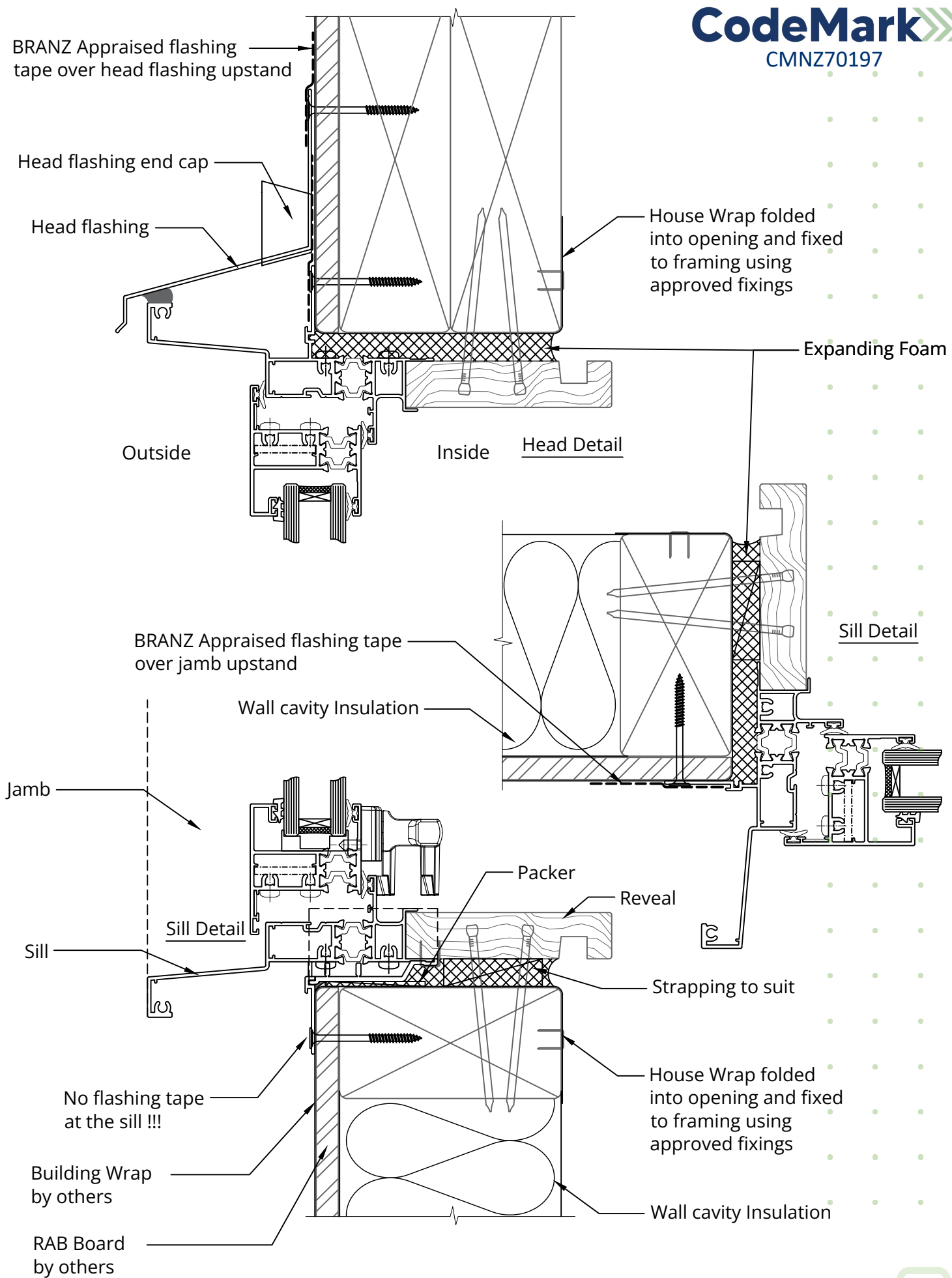




Step 7 Fix off inside of unit

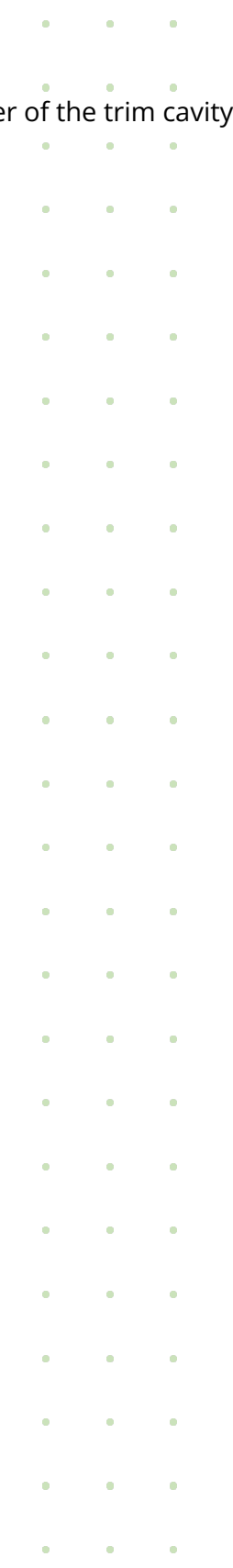
- 7.1 The primary means for fixing the window to the structure is through the front nailing fin. The internal reveal fixing is only to fix the reveal in place.
- 7.2 Insert flat packers between the wall framing and the window or door reveals at the head, sill and jambs at fixing points.
- 7.3 Fixings to be min 2 off 75x3.15 galvanised jolt head nails or 8g x 65mm SS screw.
 - 150mm from corners
 - 450mm centres thereafter
- 7.4 After fixing the unit in place, remove the packers from the head of the unit to allow any potential settlement of the building structure

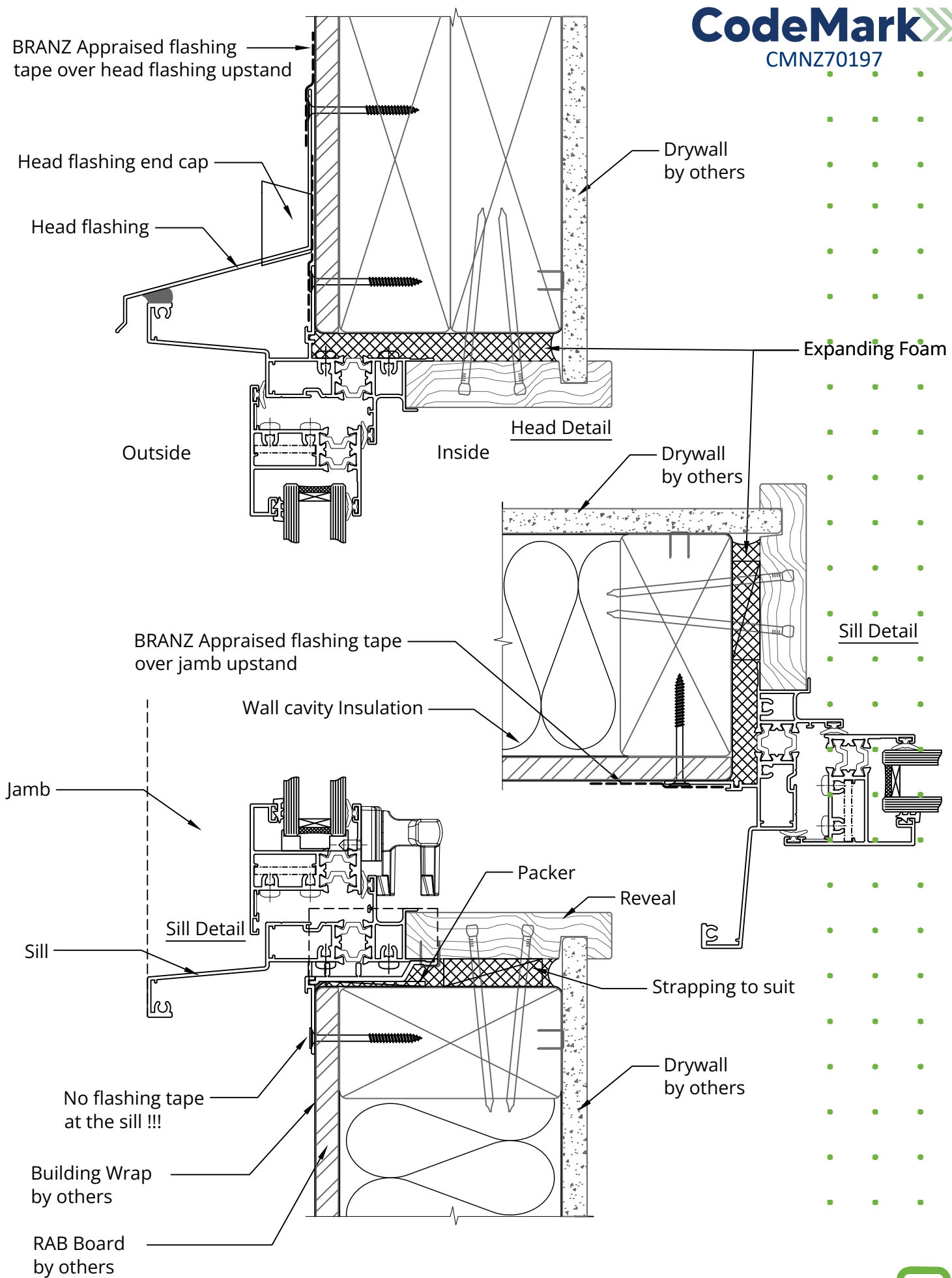




Step 8 Expanding foam

- 8.1 Apply a continuous bead of an approved expanding foam to the interior perimeter of the trim cavity (see drawing). Run the seal around the inside edge of the trim cavity, ensuring contact with both window framing and House Wrap.





Step 9 Drywall

9.1 Install the drywall in accordance with the 'Manufacturers Recommendations'.

