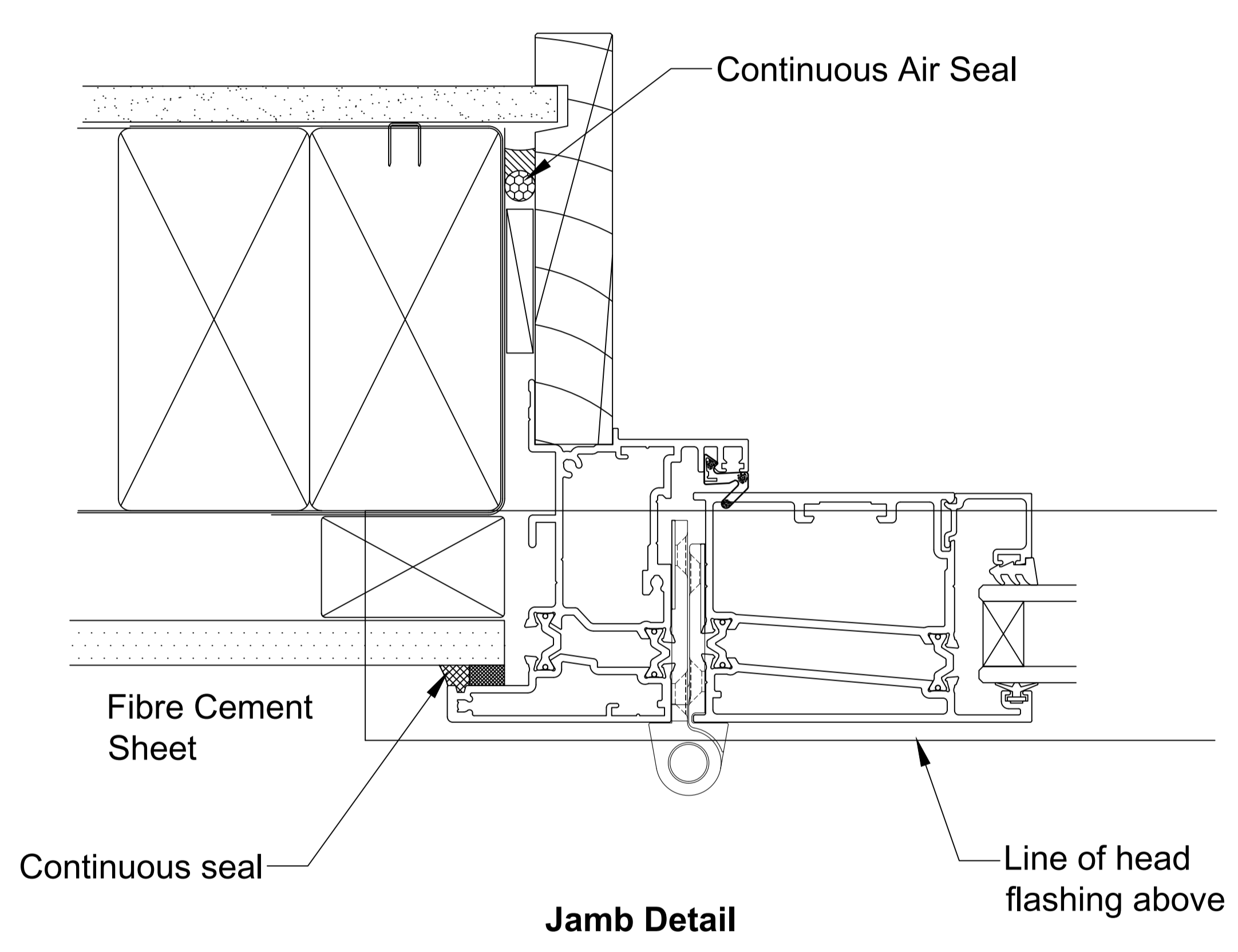
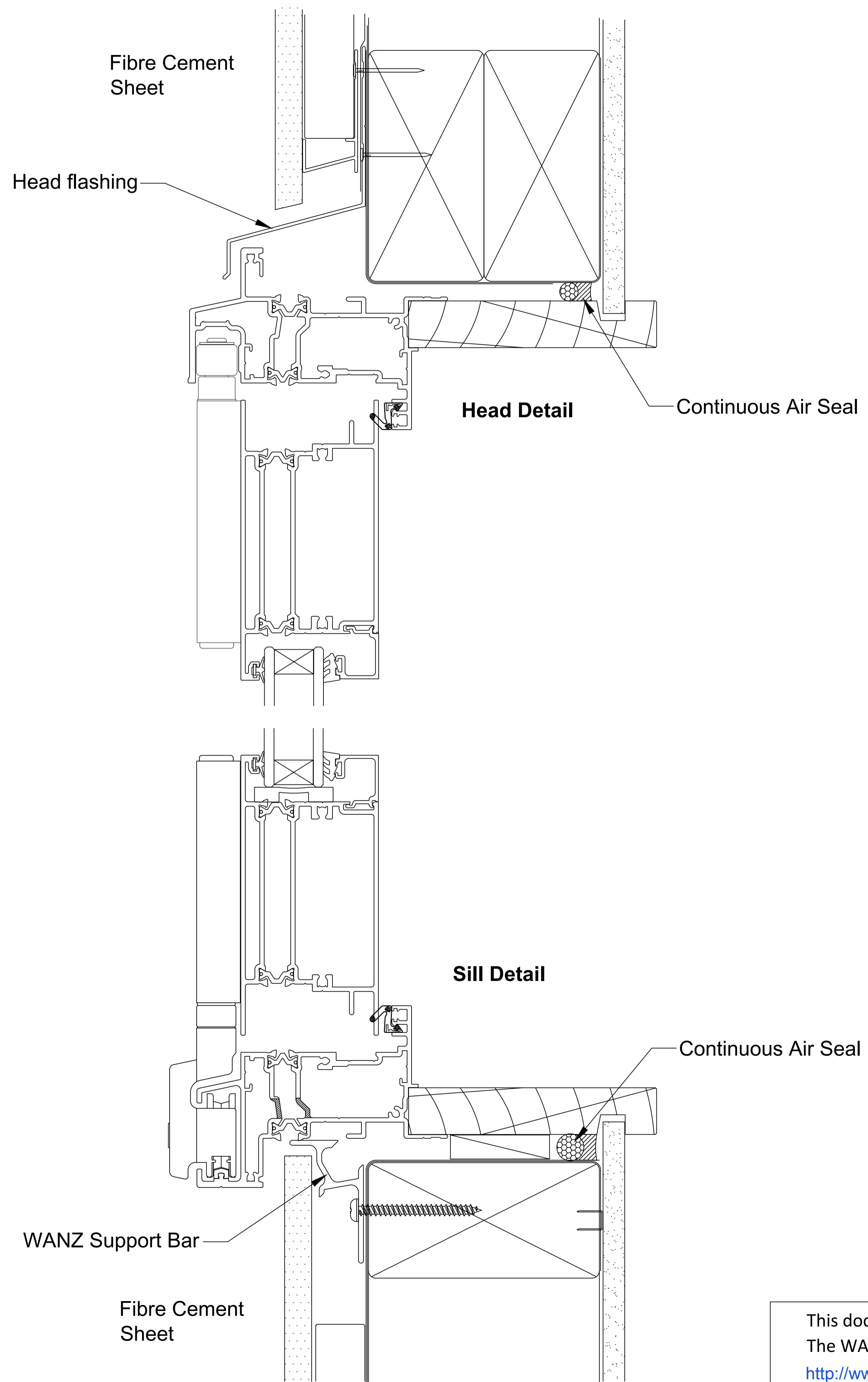
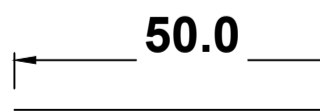


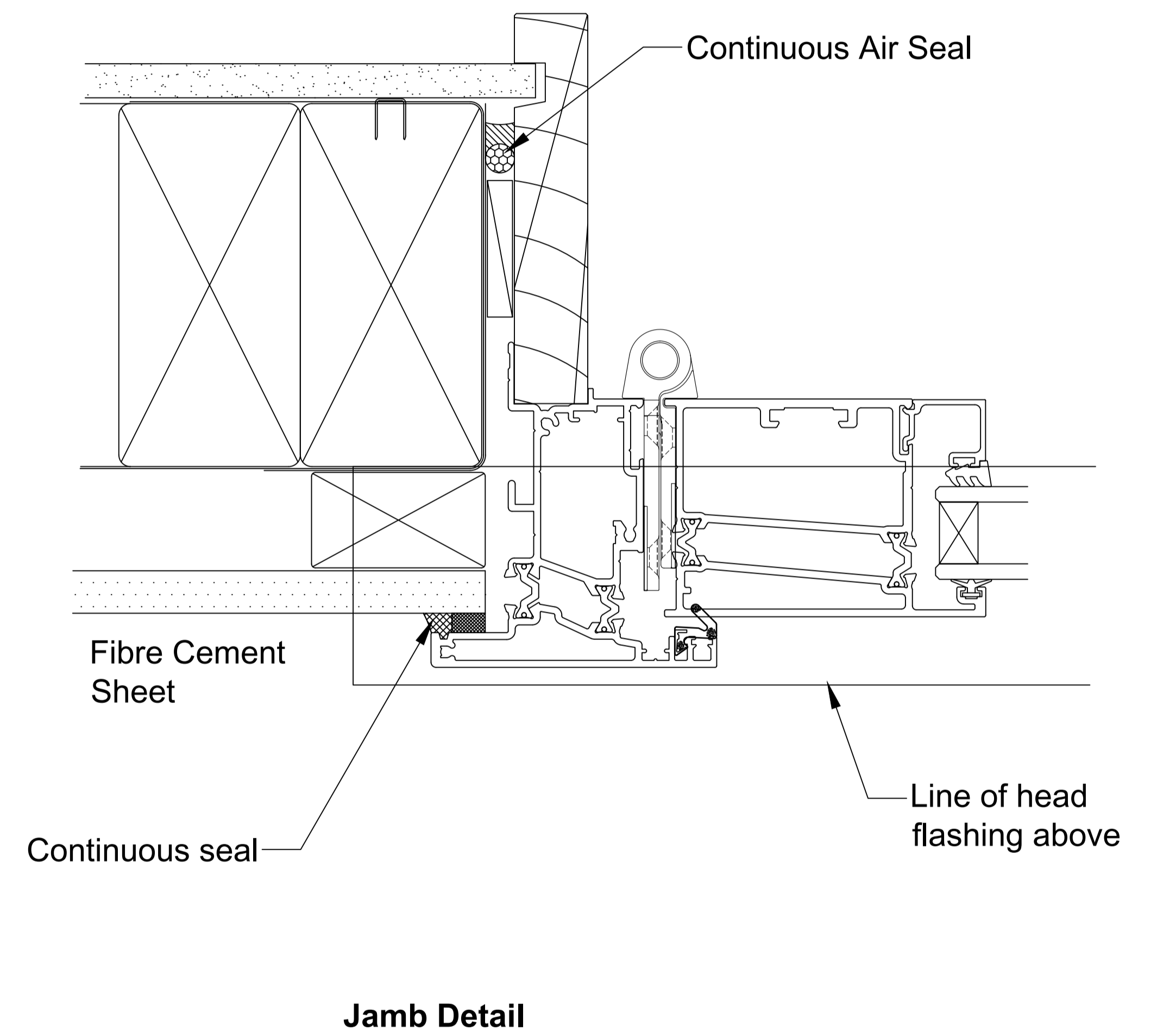
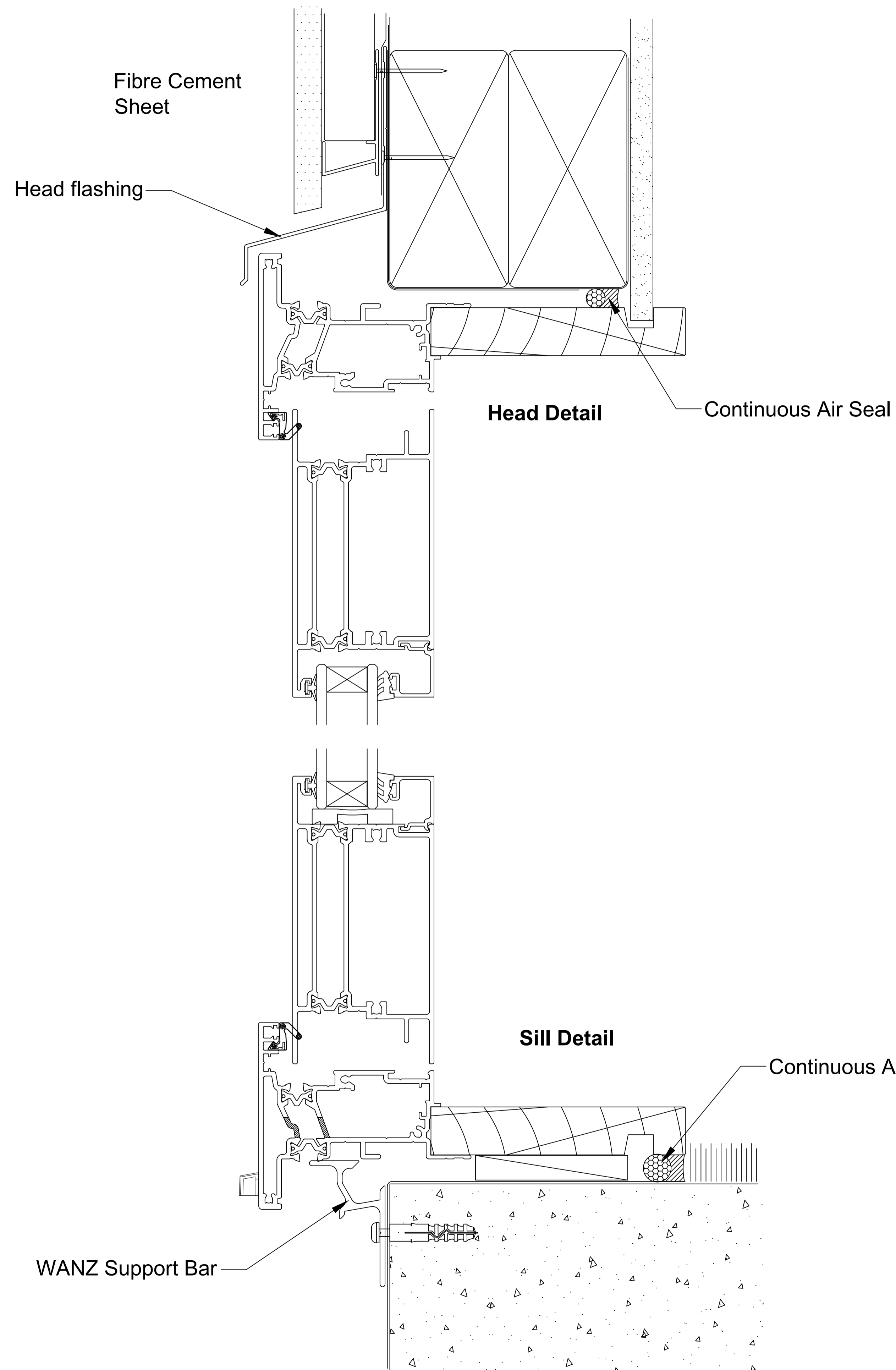
Note:
 Sill support bar may be up to 100mm short of the Trim Opening at either end.
 It is recommended that the bar is installed the full Width of the opening to ensure it picks up the window or door frame support blocks.



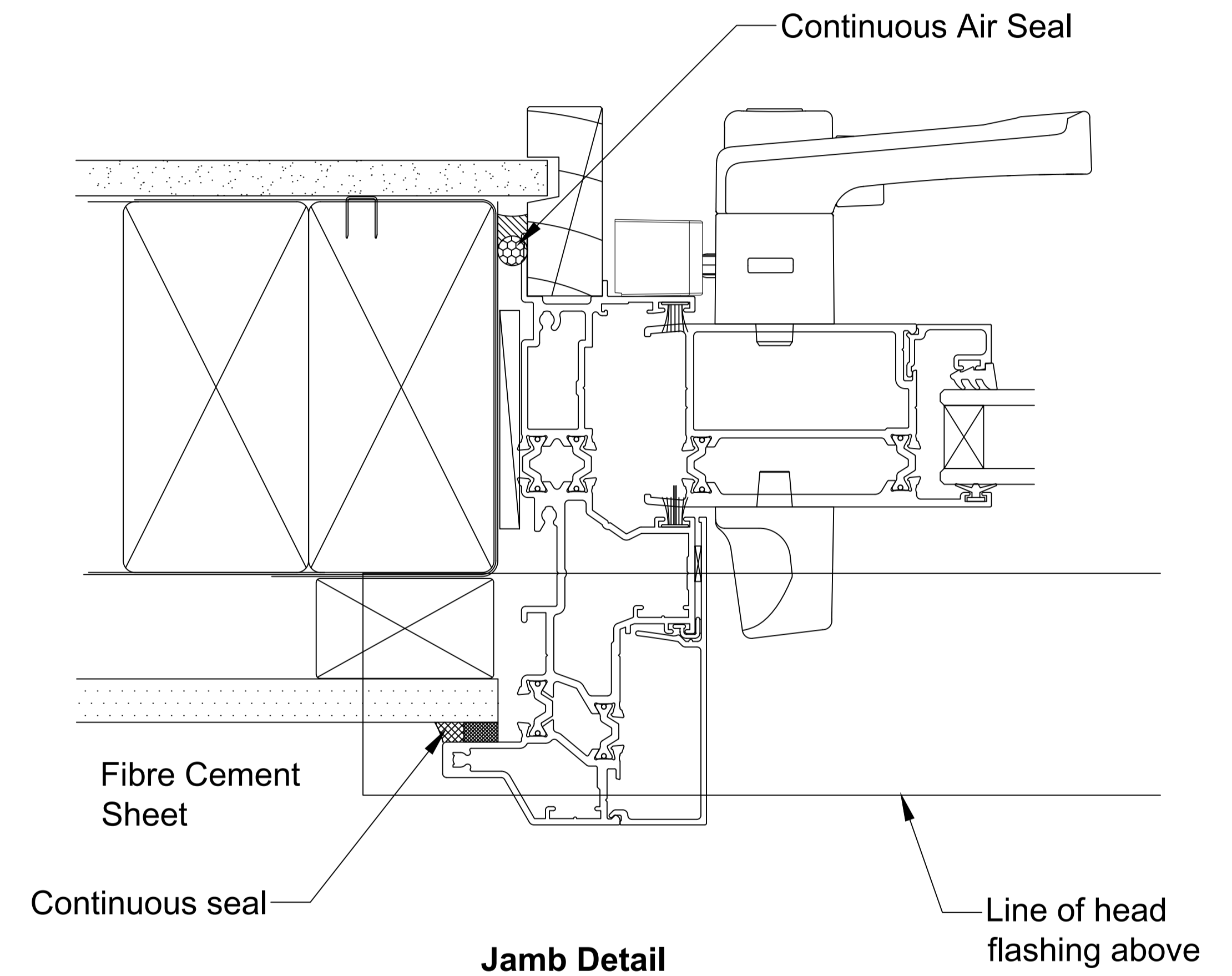
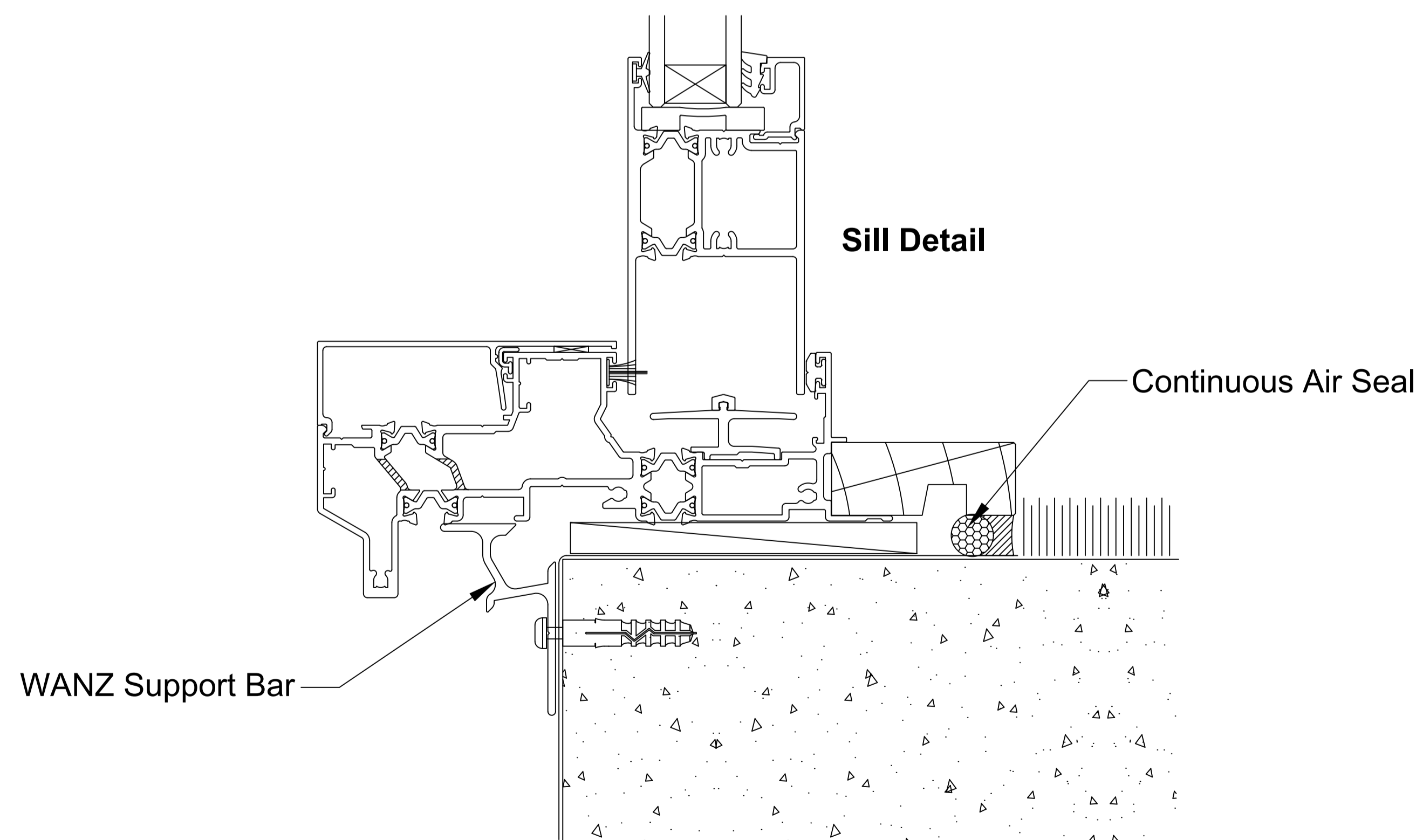
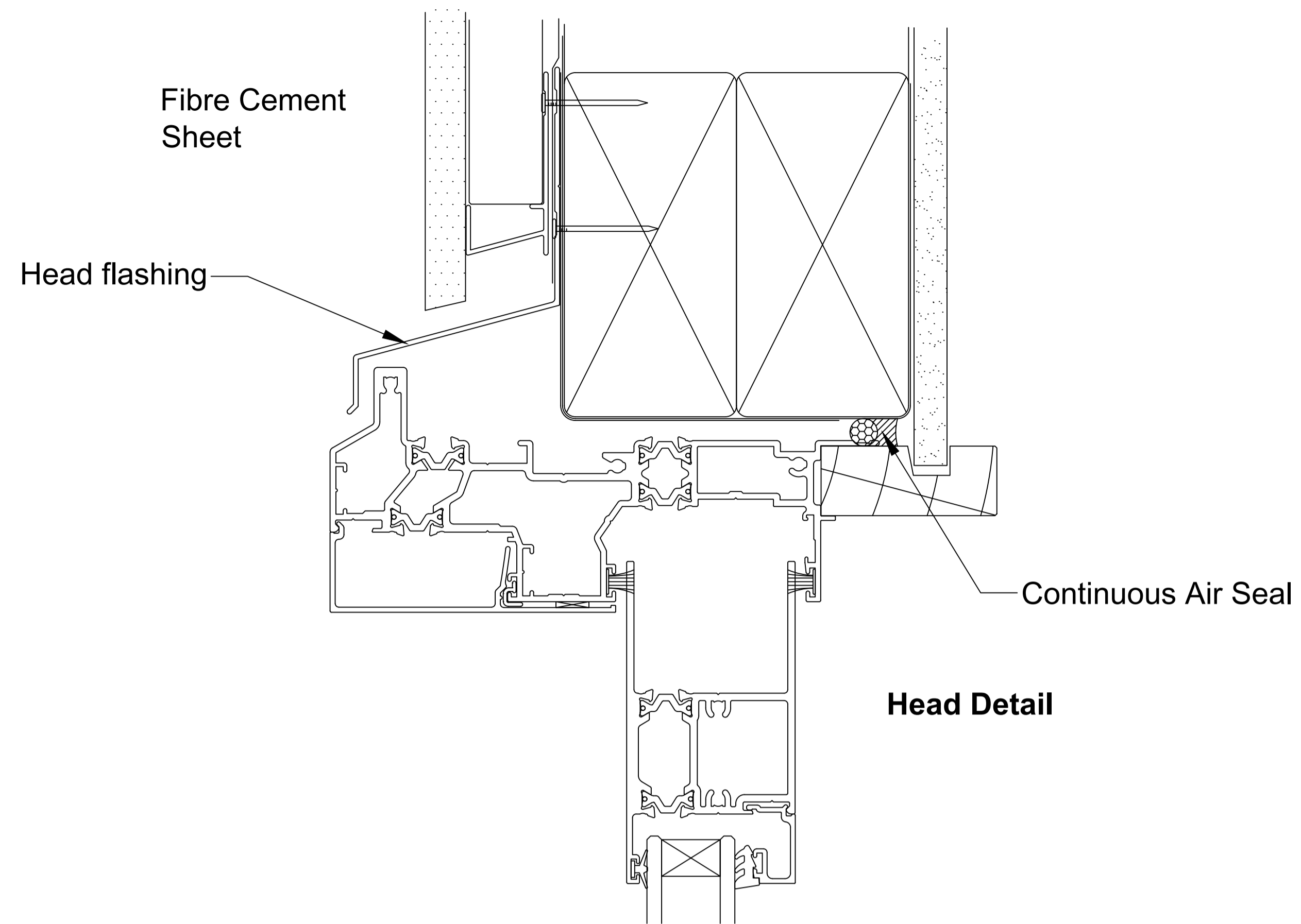
Note:
 Sill support bar may be up to 100mm short of the Trim Opening at either end.
 It is recommended that the bar is installed the full Width of the opening to ensure it picks up the window or door frame support blocks.

OMEGA WINDOWS AND DOORS BIFOLD DOOR 400 SERIES THERMAL	FIBRE CEMENT SHEET	 SCALE 1:1 @ A1
---	---------------------------	--

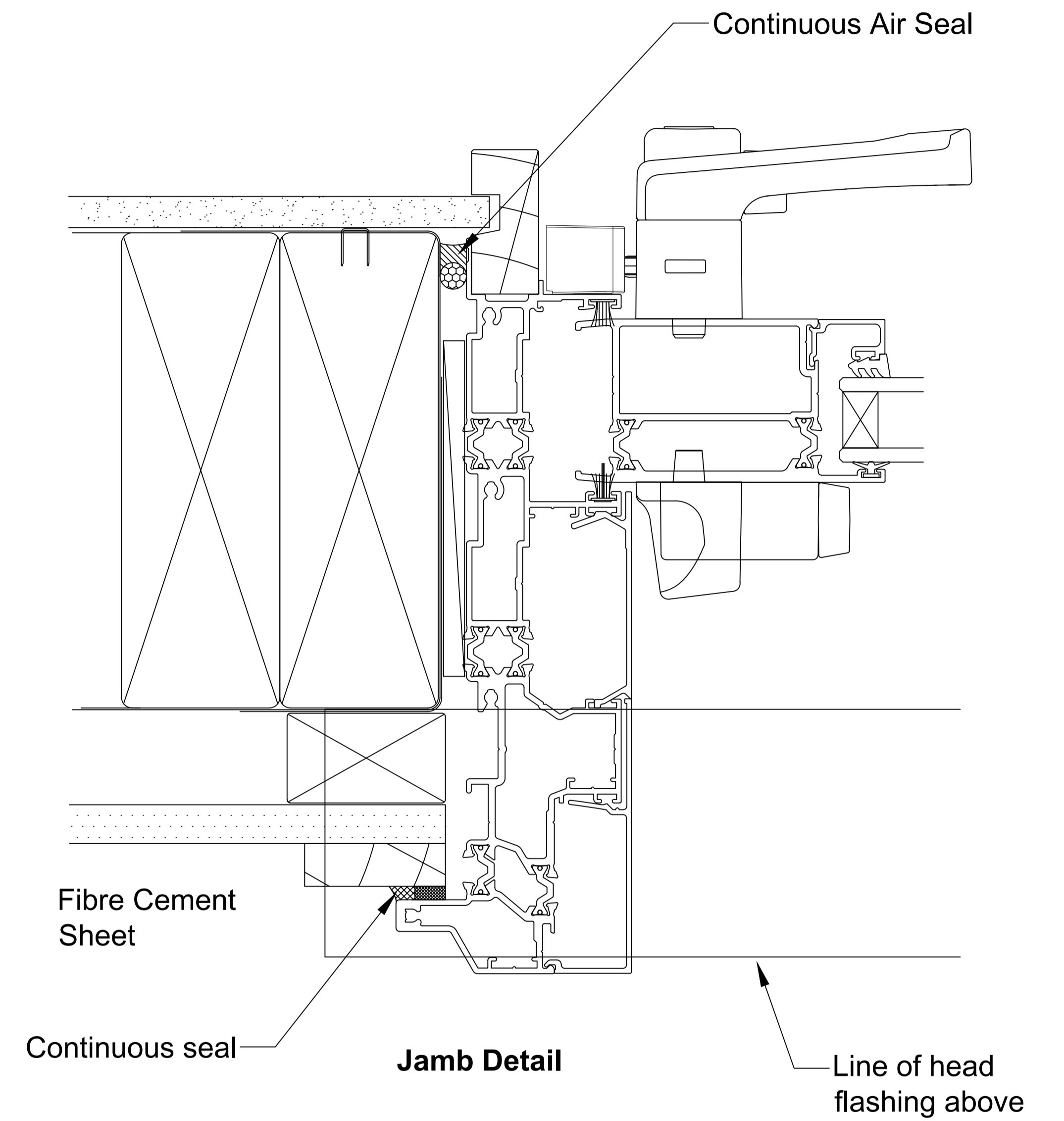
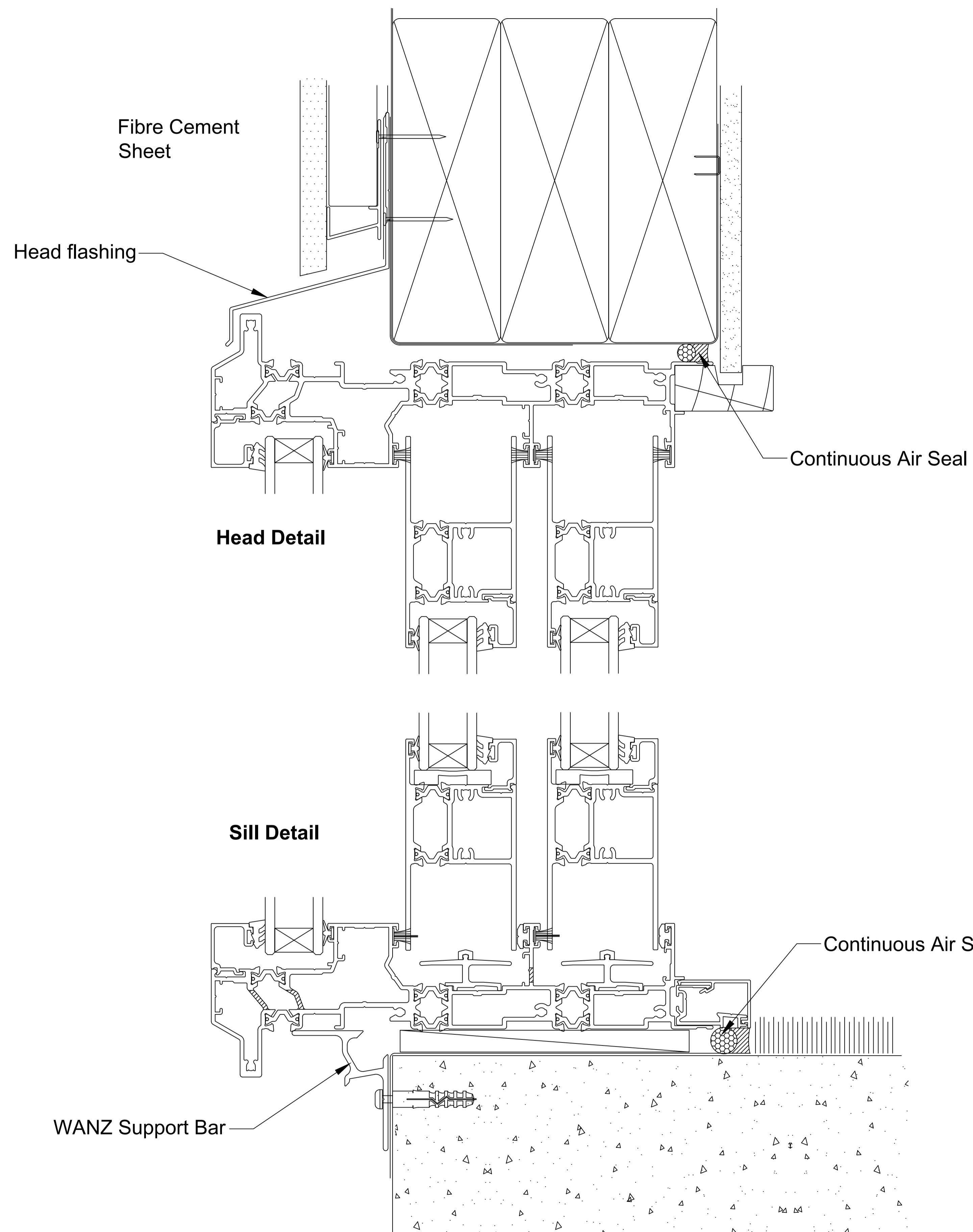
This document is intended as a guide only and is to be used in conjunction with
 The Wanz Guide to Window Installation as described in E2/AS1 Amendment 5 (see link below)
<http://www.wanz.org.nz/download/WANZ%20Guide%20to%20E2%20AS1%20Amd%206%20V1.3%20Dec%202014.pdf>



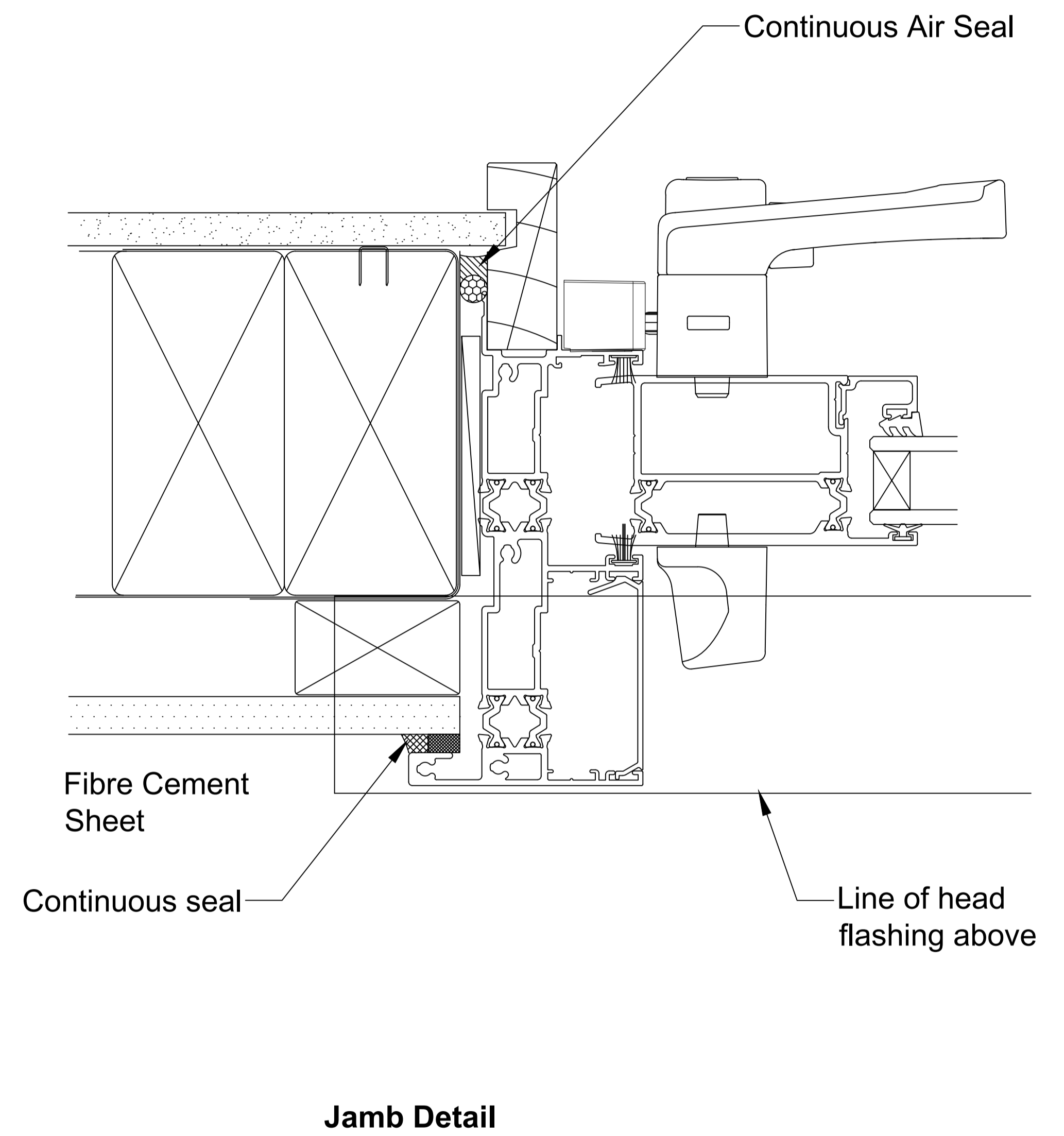
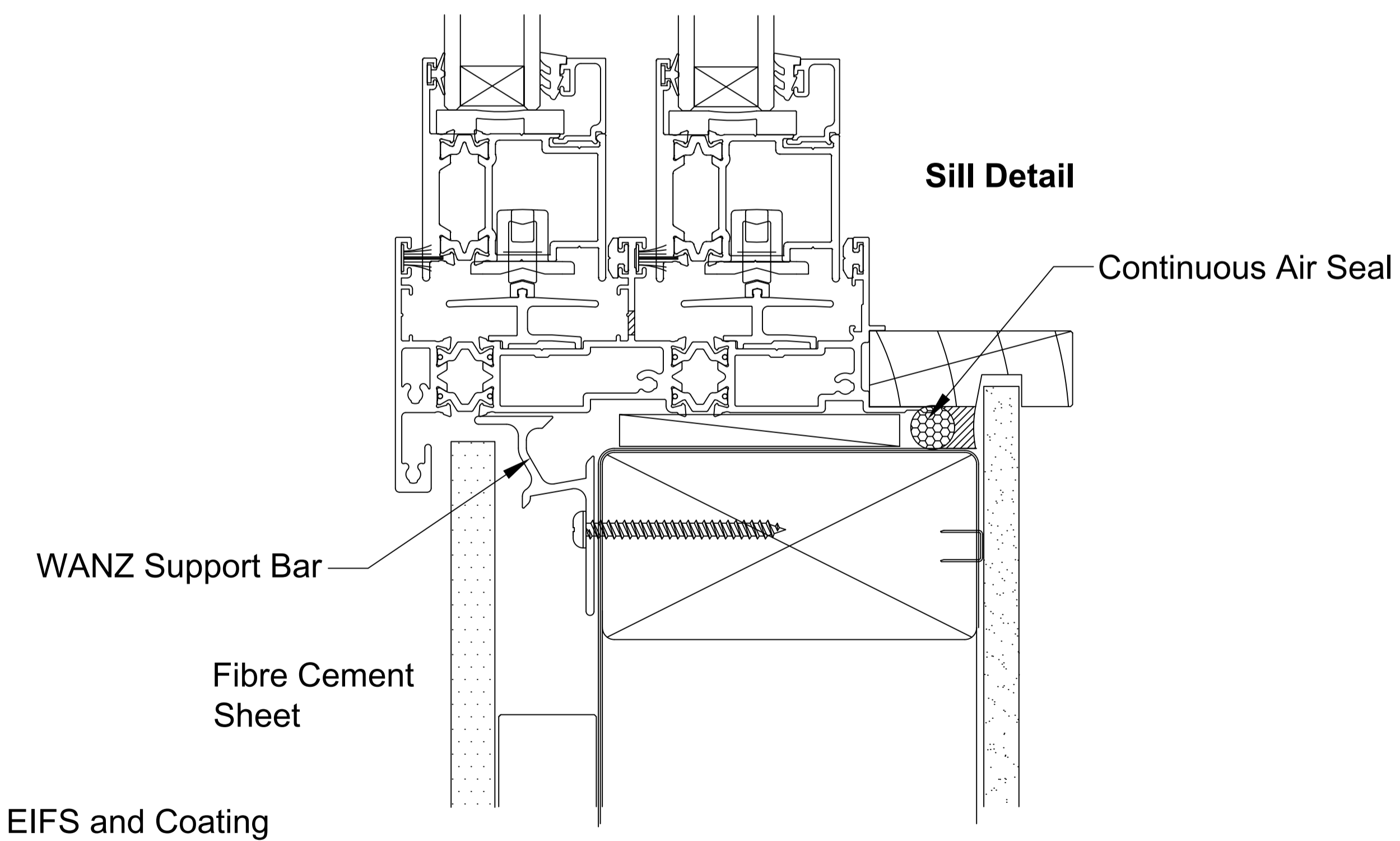
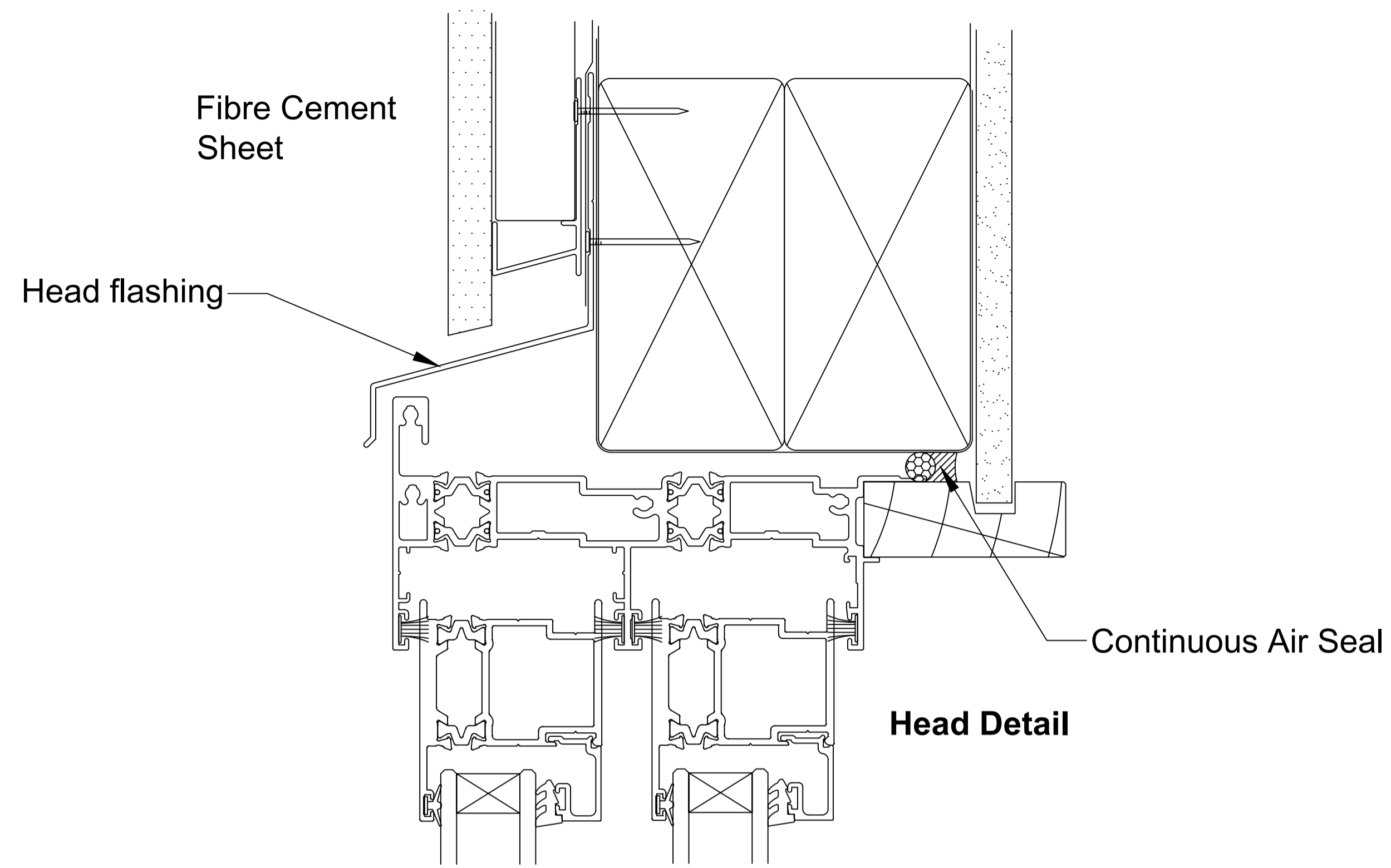
Note:
 Sill support bar may be up to 100mm short of the Trim Opening at either end.
 It is recommended that the bar is installed the full Width of the opening to ensure it picks up the window or door frame support blocks.



Note:
 Sill support bar may be up to 100mm short of the Trim Opening at either end.
 It is recommended that the bar is installed the full Width of the opening to ensure it picks up the window or door frame support blocks.



Note:
 Sill support bar may be up to 100mm short of the Trim Opening at either end.
 It is recommended that the bar is installed the full Width of the opening to ensure it picks up the window or door frame support blocks.



Note:
 Sill support bar may be up to 100mm short of the Trim Opening at either end.
 It is recommended that the bar is installed the full Width of the opening to ensure it picks up the window or door frame support blocks.