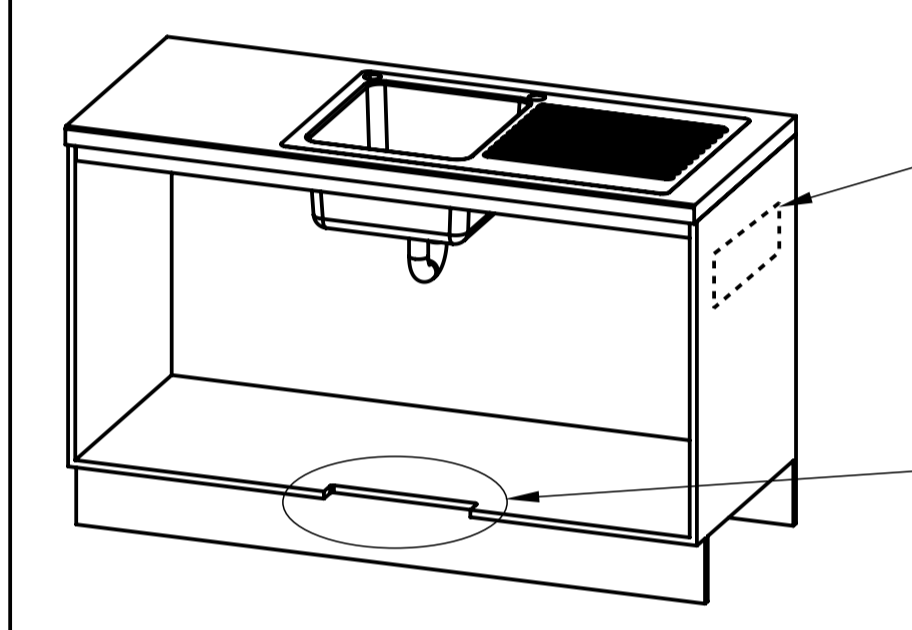
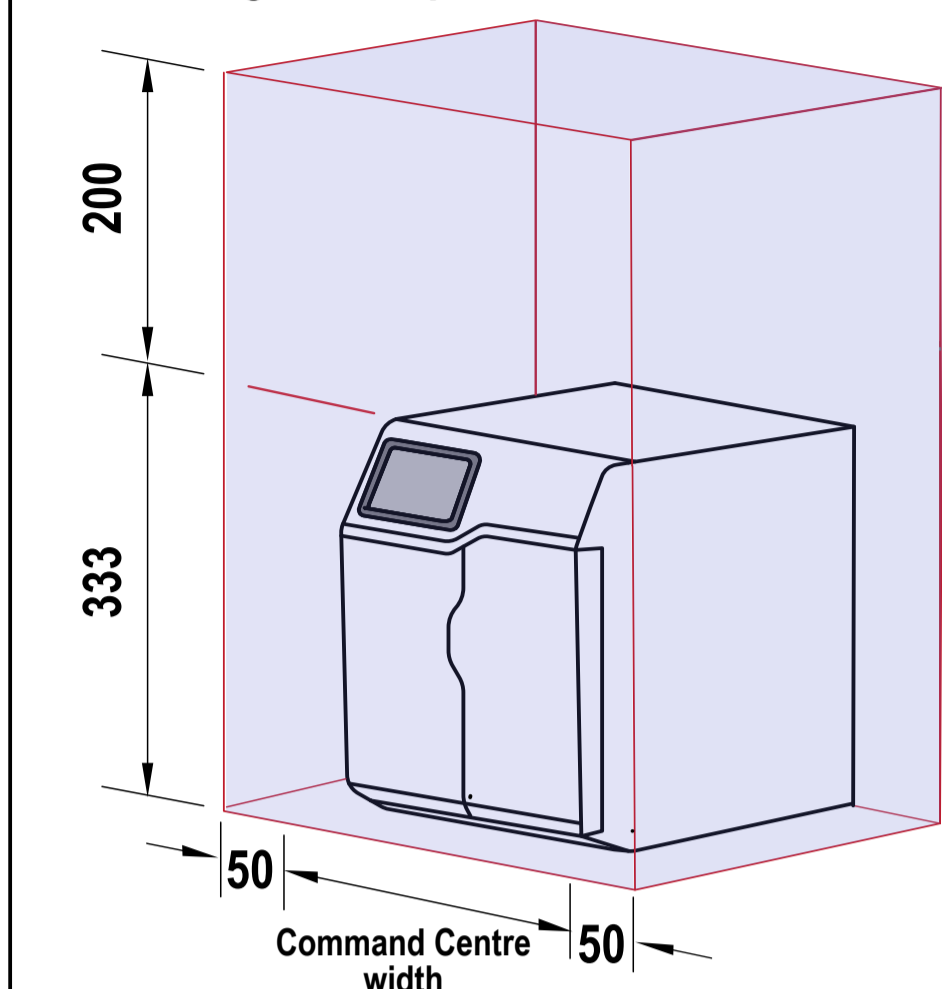


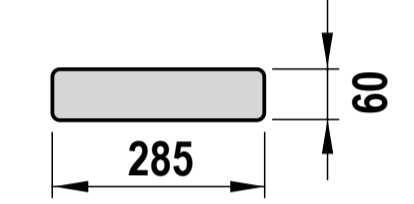
**Ventilation requirements** Contact your local service provider if ventilation is not suitable

**Clearance envelope**

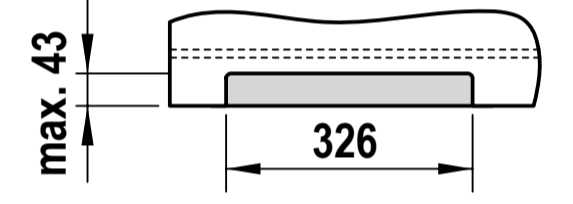
Position the Tap and the Command Centre as close together as possible.



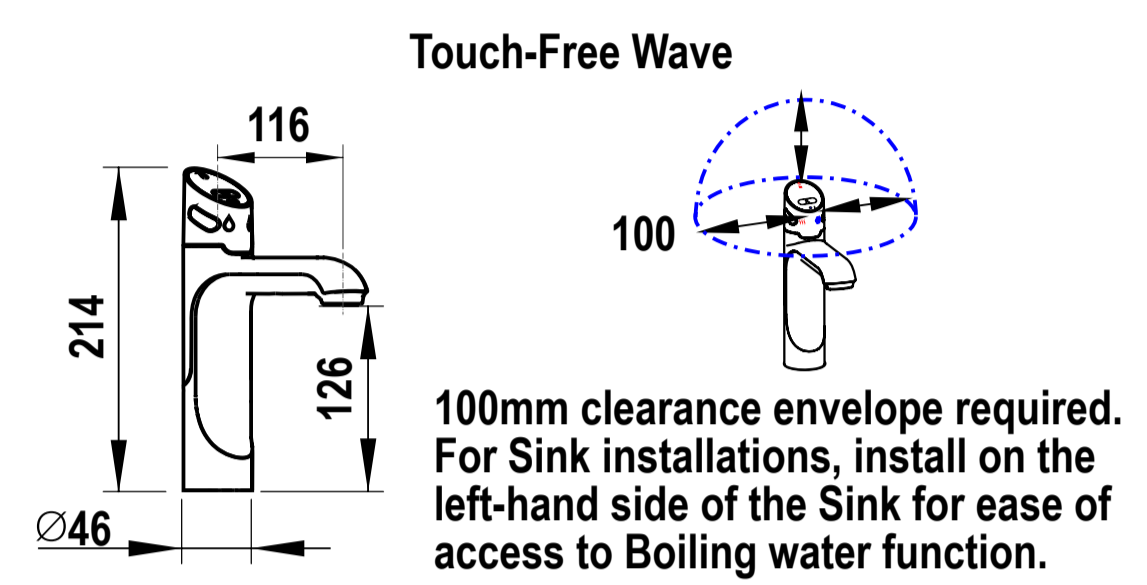
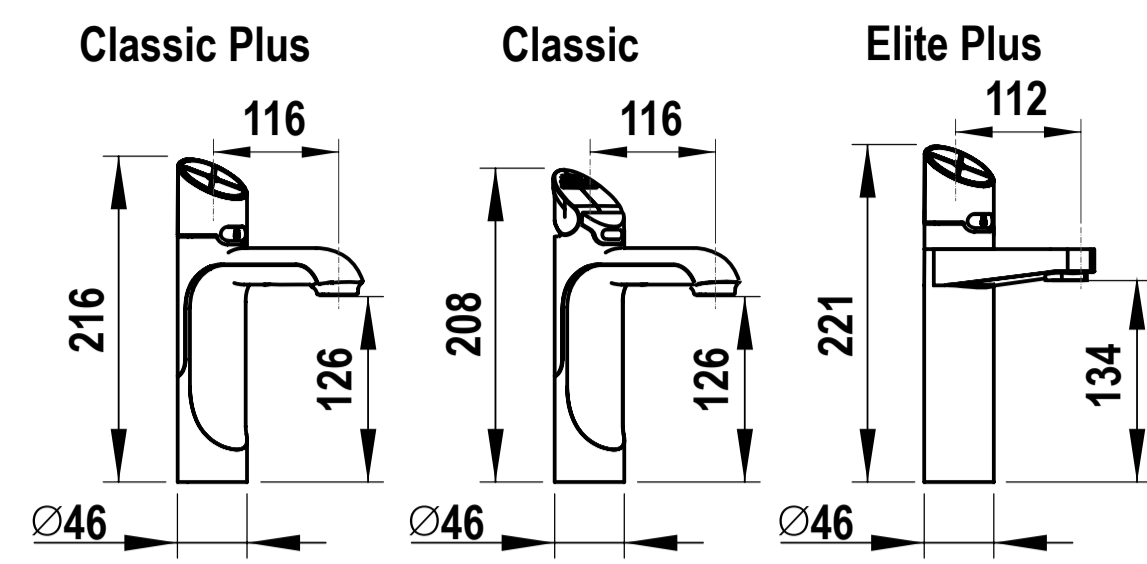
Air outlet louvre (if required)  
Cut-out in door/wall, towards the top of the cabinet



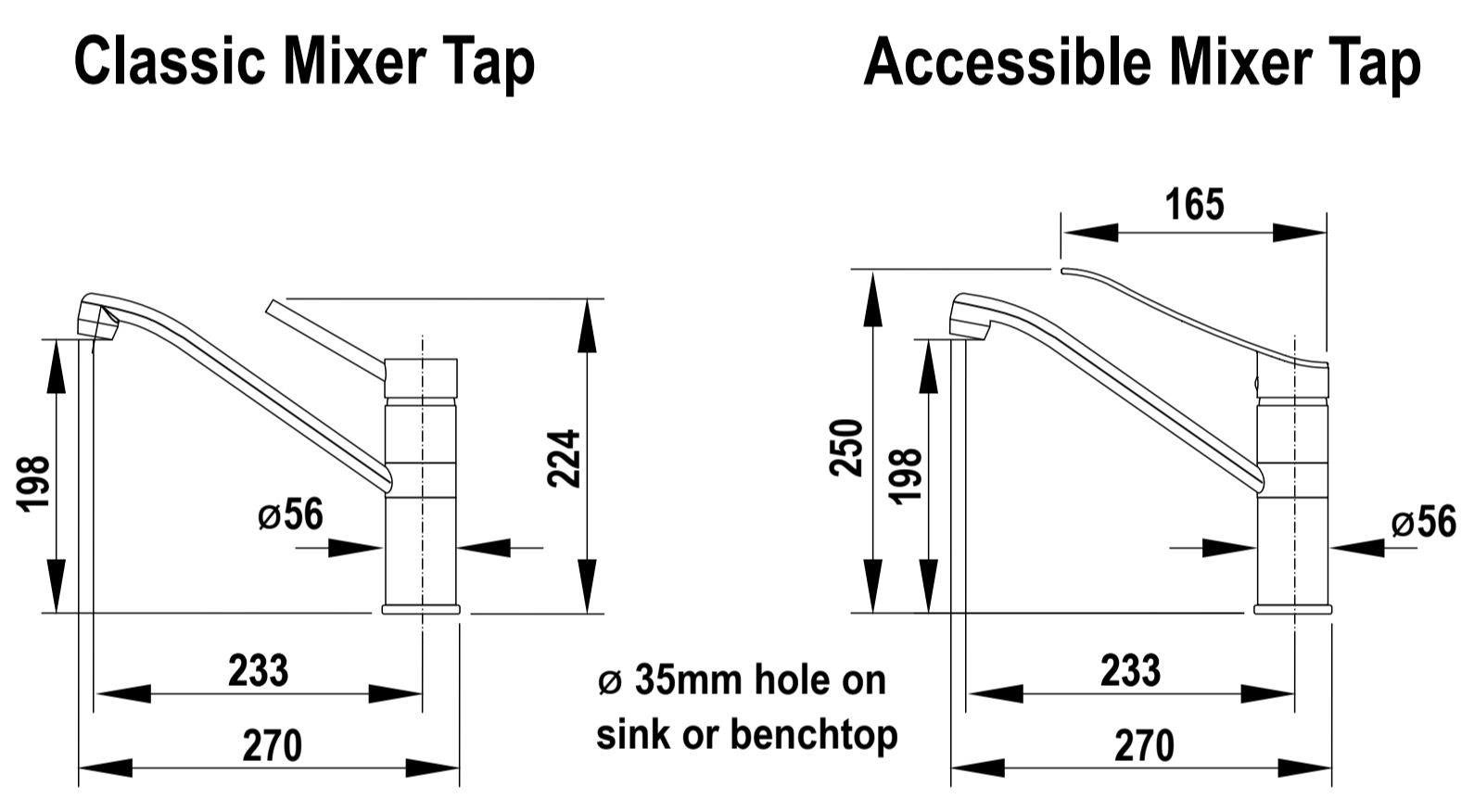
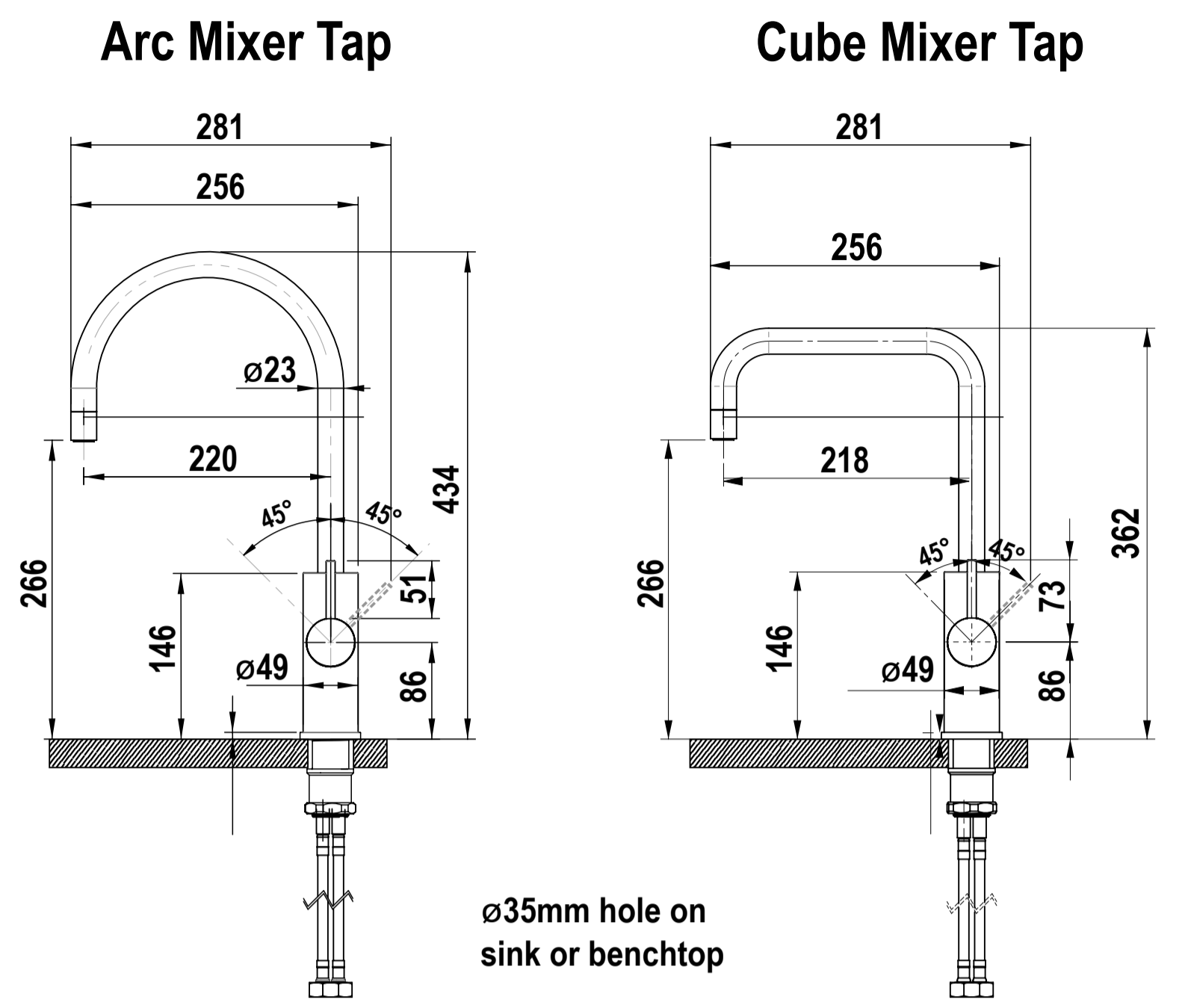
Air inlet cut-out (required)  
Cut-out in cabinet floor



**HydroTap Tap options**

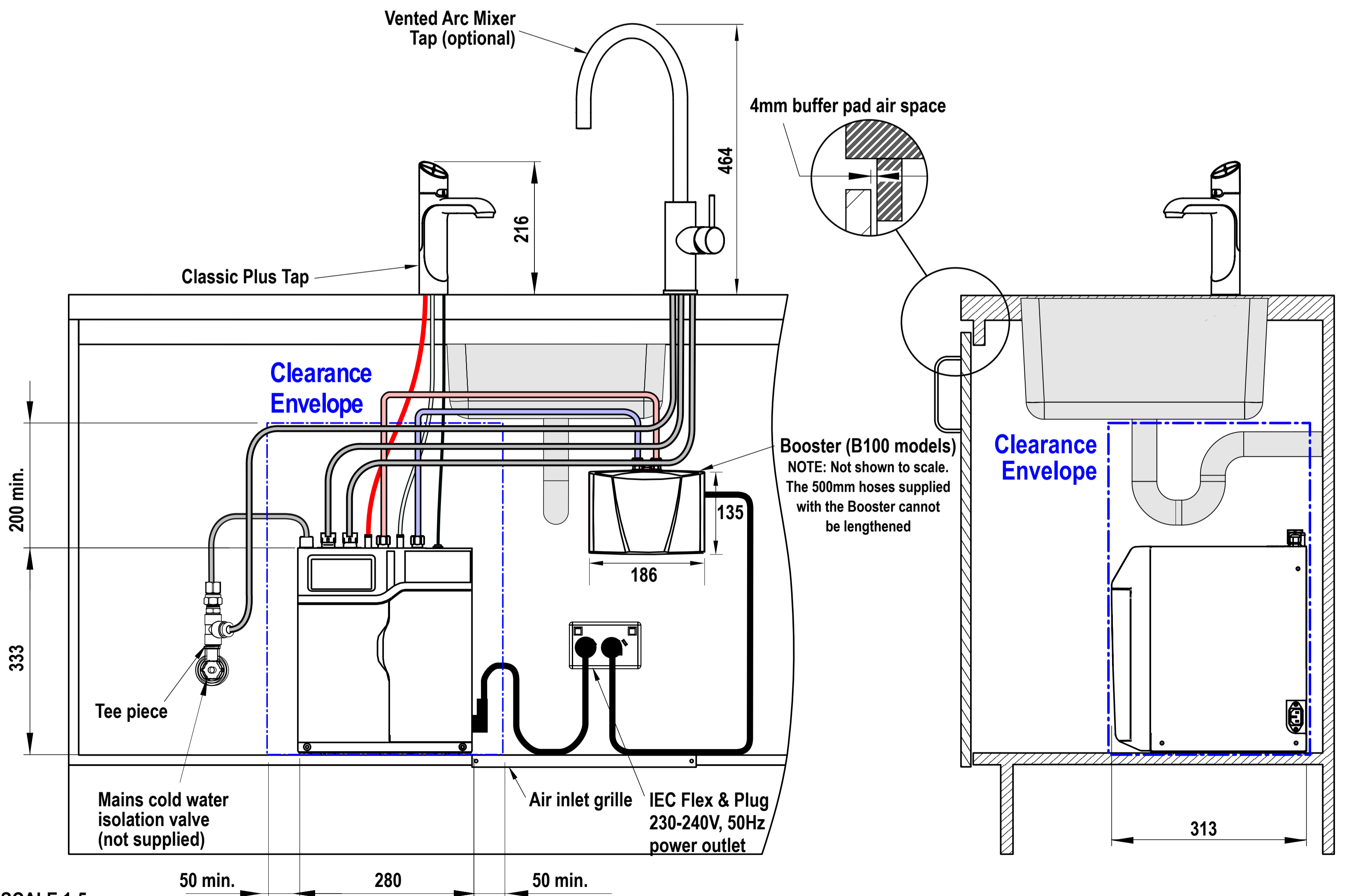
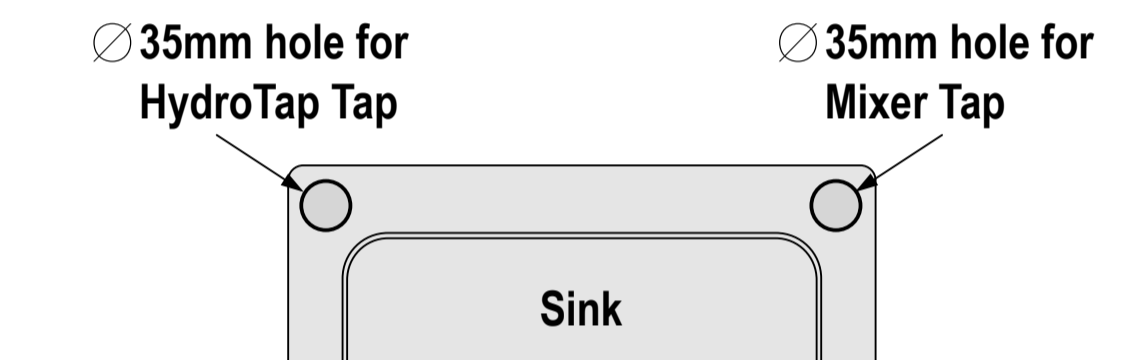


**Mixer Tap options**

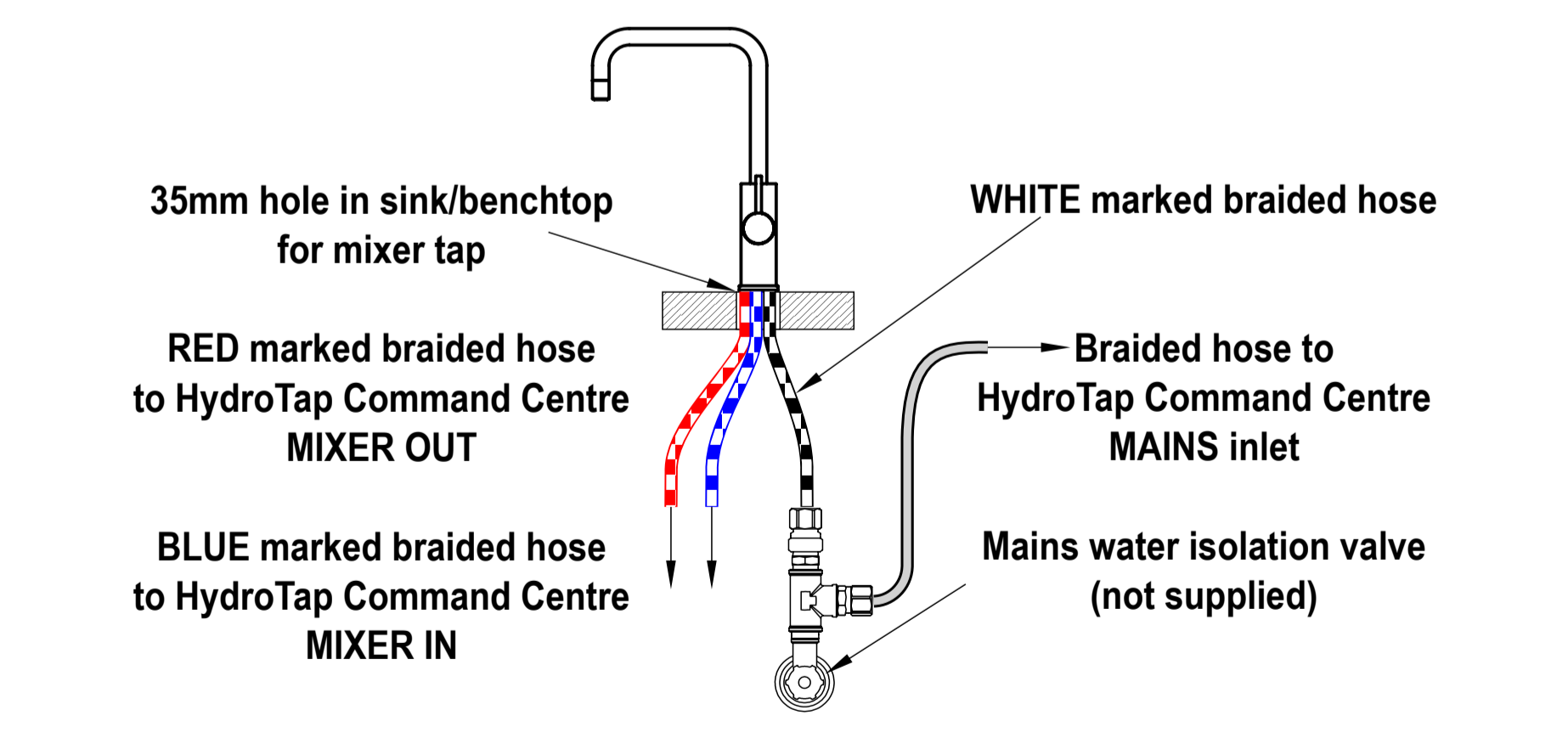


**Tap Positioning**

Position the Tap to dispense into the sink, allowing clearance for a cup or teapot. Alternatively, mount the HydroTap Tap on a Font (available as an accessory).



**Vented mixer tap installation**  
Only cold water supply required



**HydroTap G5  
B60 H, B100 H**

shown with "Classic Plus" Tap and Arc Mixer Tap (V)

SCALE 1:5  
ALL DIMENSIONS IN MM UNLESS OTHERWISE SPECIFIED. INSTALLATION DIAGRAMS ARE FOR ILLUSTRATIVE PURPOSES ONLY. HOSES ARE NOT SHOWN TO SCALE AND CANNOT BE LENGTHENED.