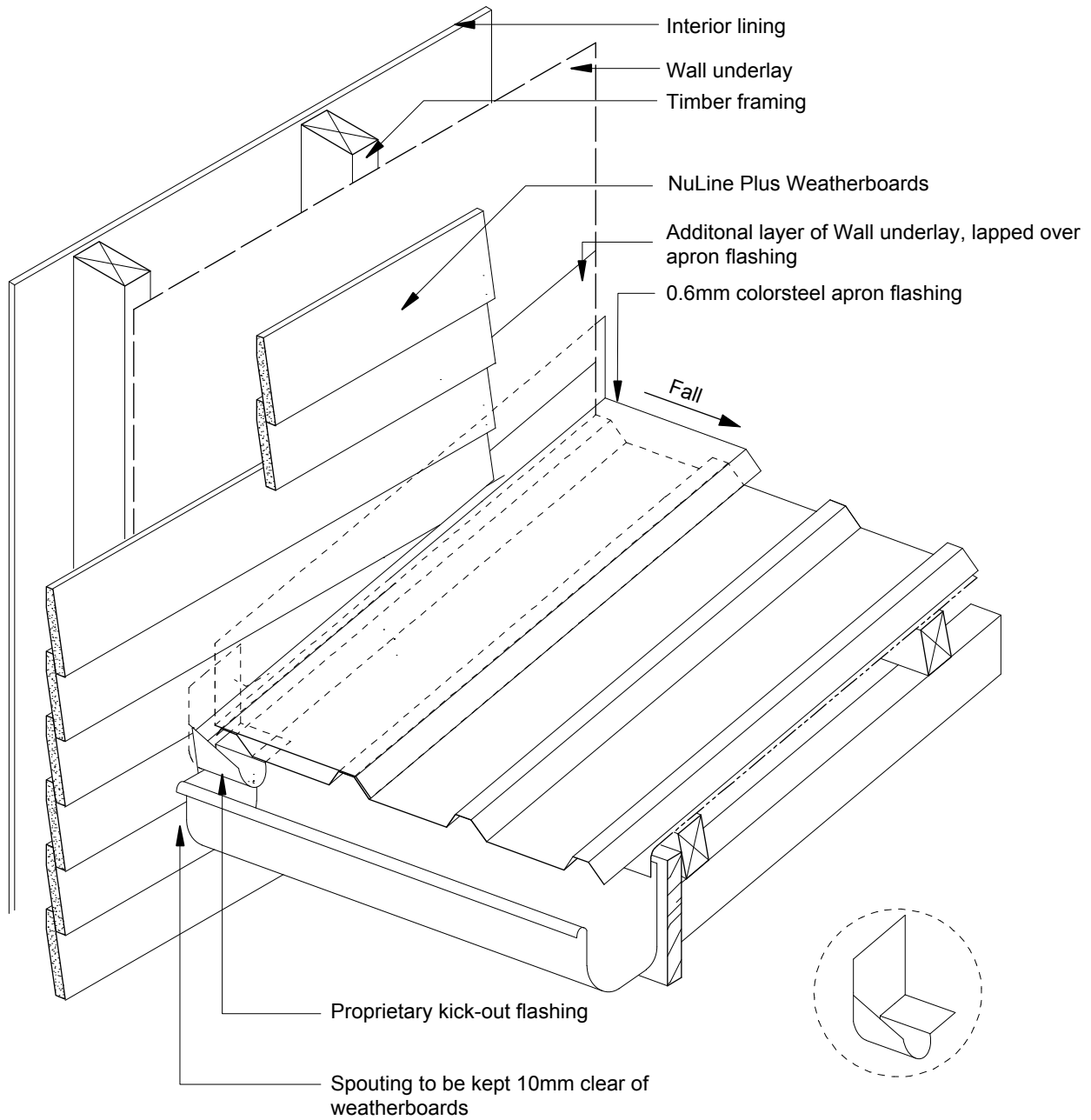


BGC

Fibre Cement



PROFILE NuLine™ Plus Weatherboards

DATE Sep 2012

DETAIL Gutter To Wall Junction
Detail Direct Fixed

SCALE 1:5 @ A4

DETAIL NO. NU-21 D