

SECTION A-A

SECTION B-B

AWNING / CASEMENT WINDOW

FAIRVIEW SYSTEMS LIMITED SPECIFIERS GUIDE 2014 © TECHNICAL SPECIFICATIONS & PROFILE DETAILS SUBJECT TO CHANGE WITHOUT NOTICE

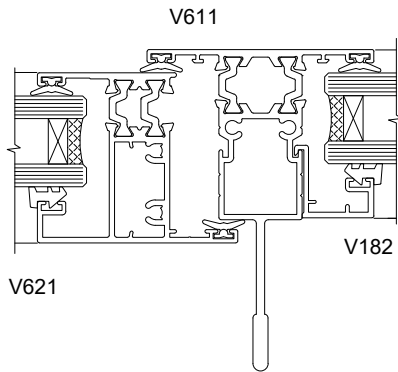
THERMAL LINEAR 40 - COMPLETE SUITE

DATE
21.06.2018

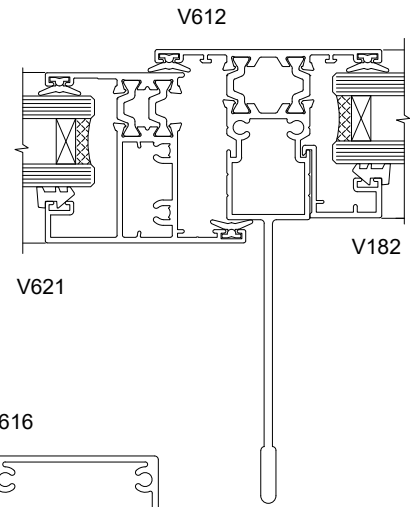
SCALE
1:2

REF. TL45.0001

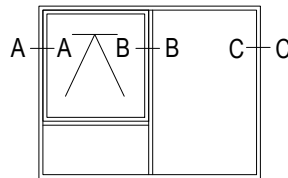
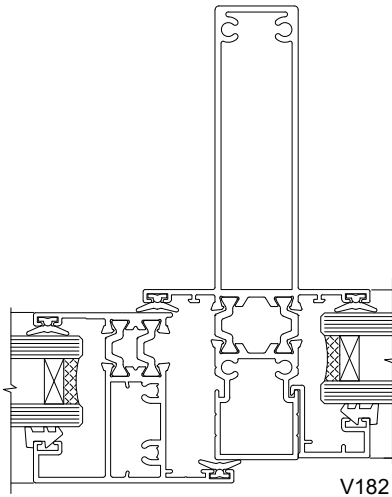
SECTION B-B



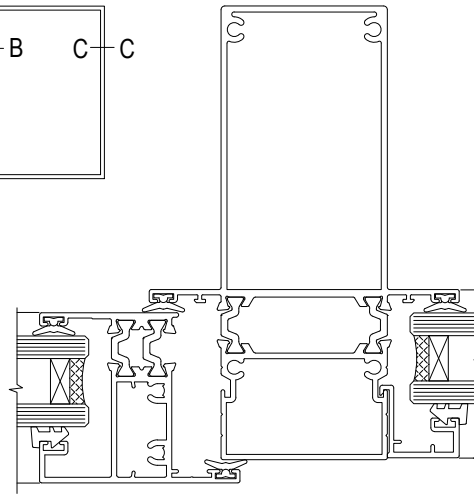
SECTION B-B



V615



V616

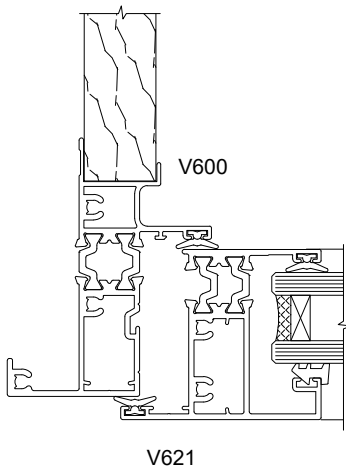


V621

SECTION B-B

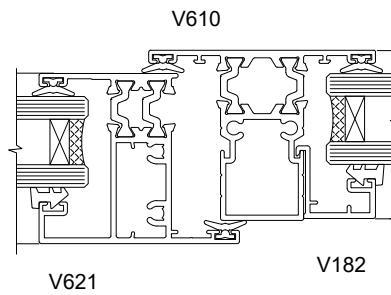
V621

SECTION B-B



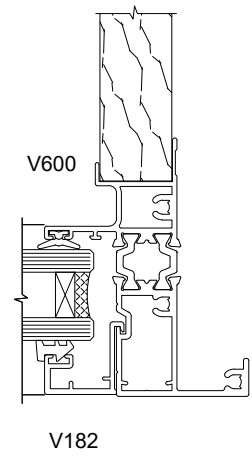
V621

SECTION A-A



V621

SECTION B-B



V182

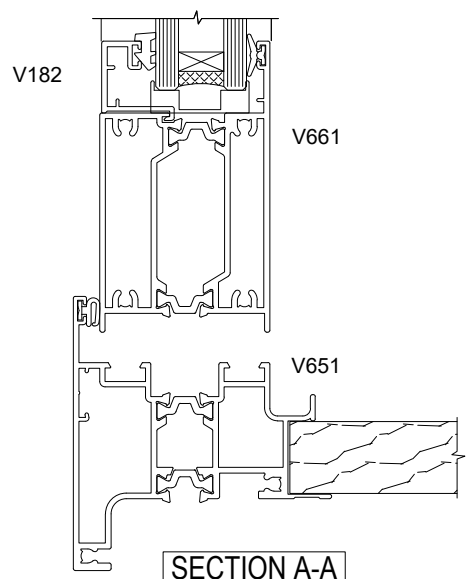
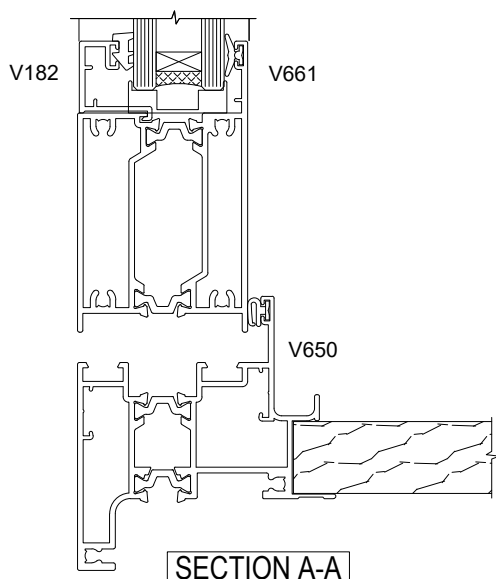
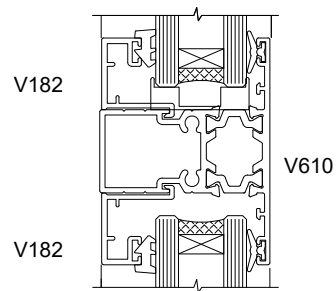
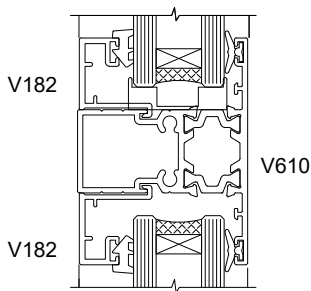
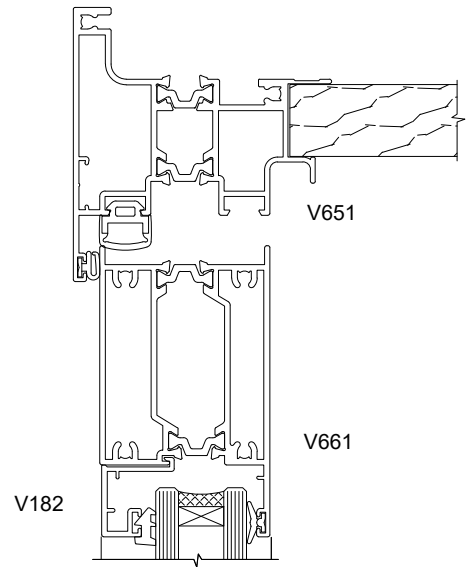
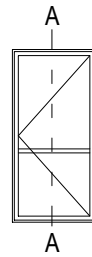
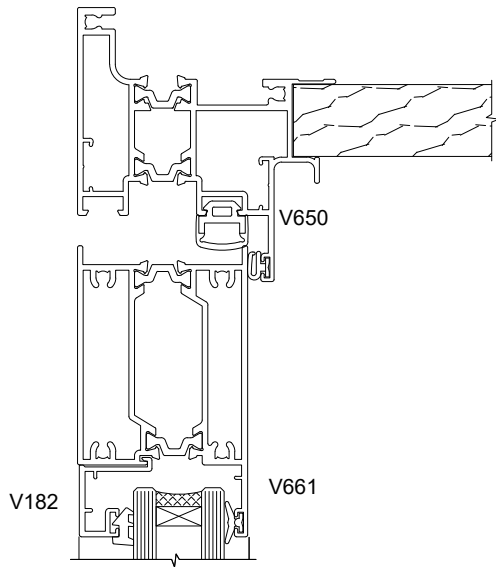
SECTION C-C

AWNING / CASEMENT WINDOW

FAIRVIEW SYSTEMS LIMITED SPECIFIERS GUIDE 2014 © TECHNICAL SPECIFICATIONS & PROFILE DETAILS SUBJECT TO CHANGE WITHOUT NOTICE

THERMAL LINEAR 40 - COMPLETE SUITE

DATE 21.06.2018	SCALE 1:2
REF. TL45.0002	

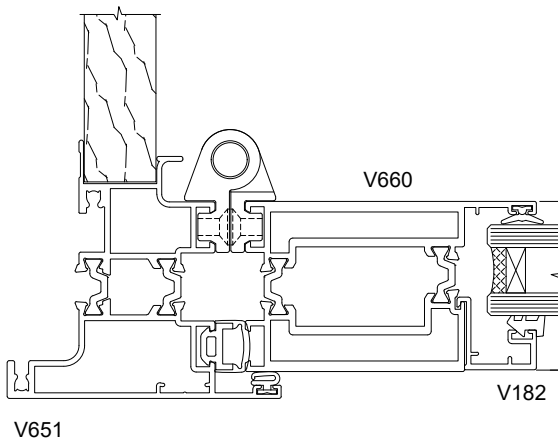


HINGED DOOR

FAIRVIEW SYSTEMS LIMITED SPECIFIERS GUIDE 2014 © TECHNICAL SPECIFICATIONS & PROFILE DETAILS SUBJECT TO CHANGE WITHOUT NOTICE

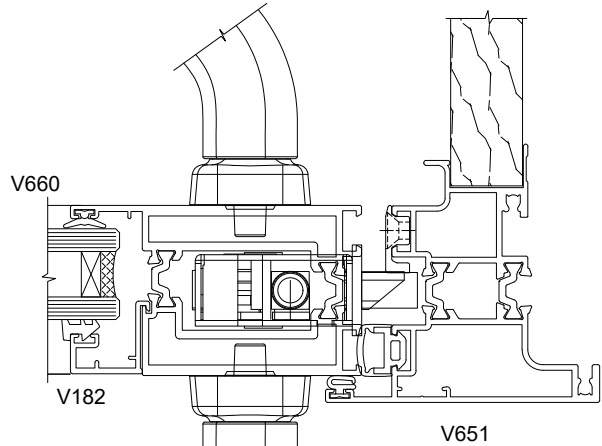
THERMAL LINEAR 40 - COMPLETE SUITE

DATE 21.06.2018	SCALE 1:2
REF. TL45.0011	



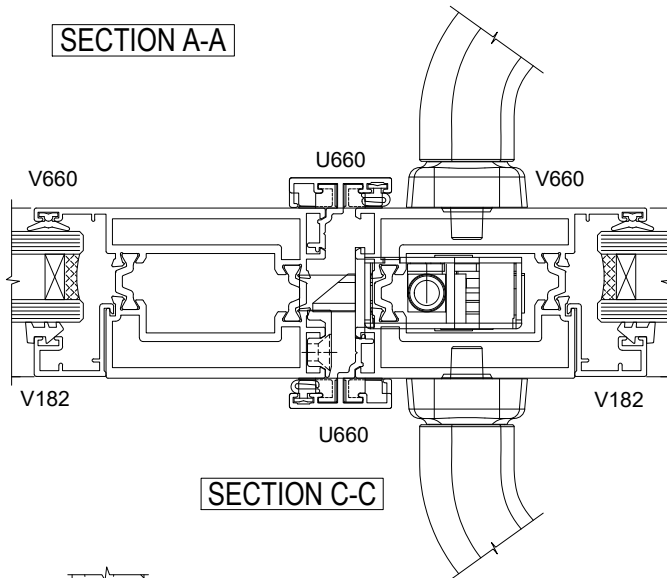
V651

SECTION A-A

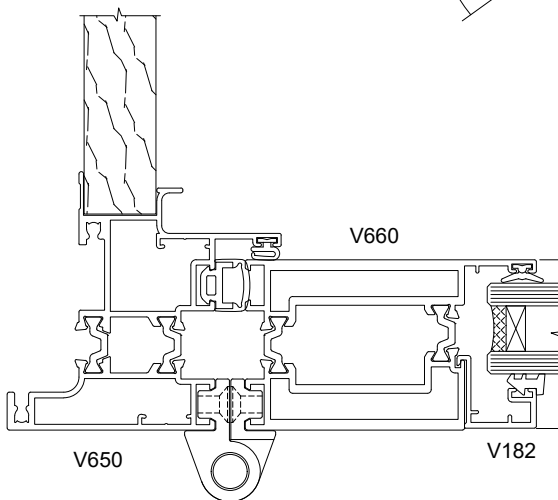
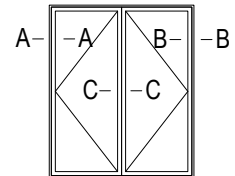


V651

SECTION B-B



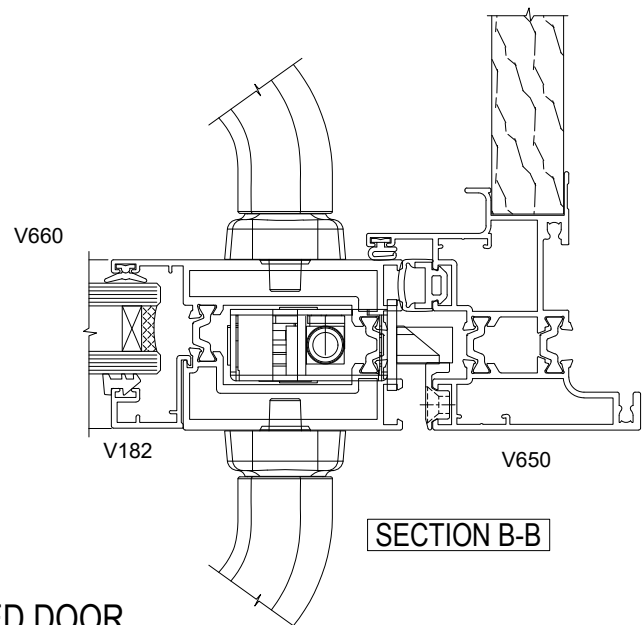
SECTION C-C



V650

V182

SECTION A-A



V660

V182

V650

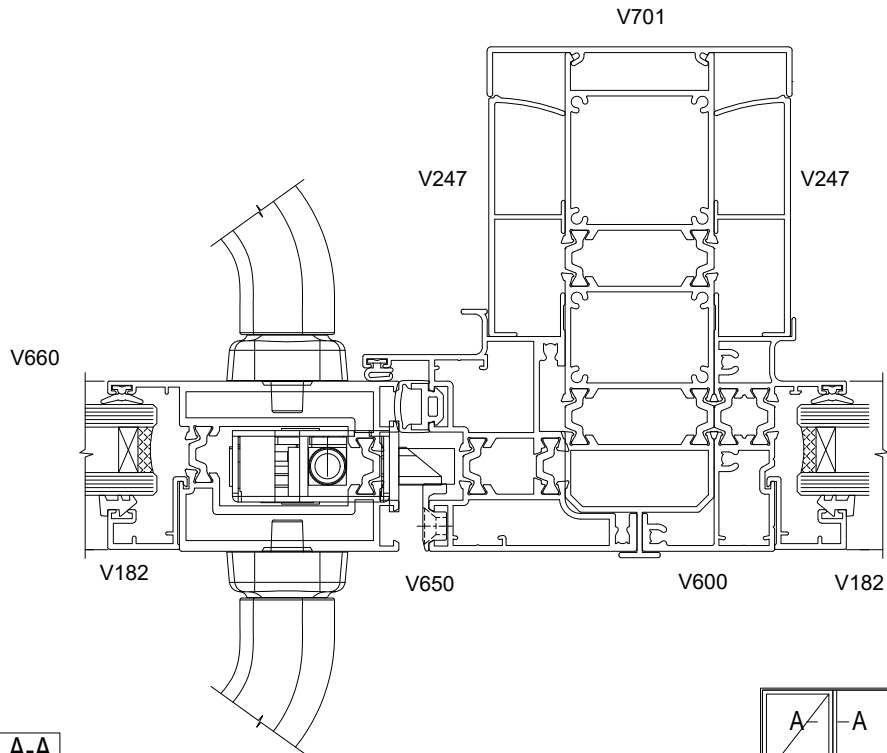
SECTION B-B

HINGED DOOR

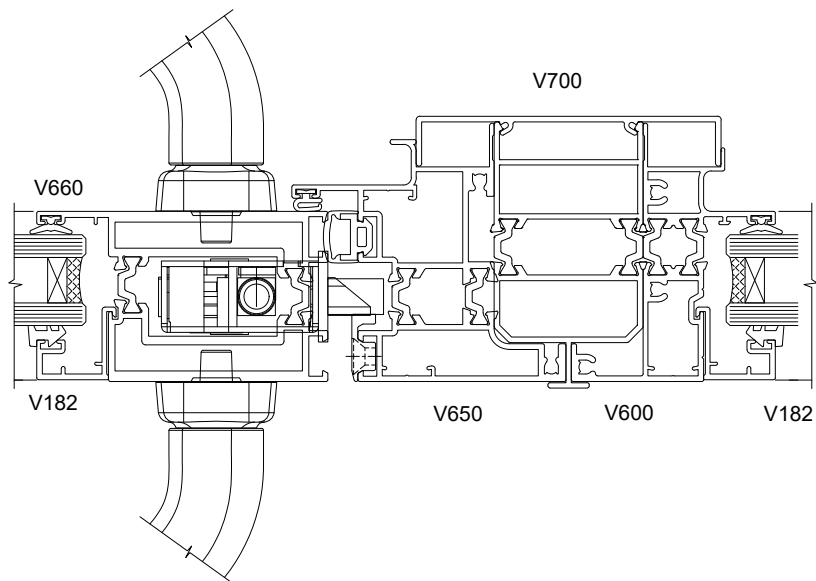
FAIRVIEW SYSTEMS LIMITED SPECIFIERS GUIDE 2014 © TECHNICAL SPECIFICATIONS & PROFILE DETAILS SUBJECT TO CHANGE WITHOUT NOTICE

THERMAL LINEAR 40 - COMPLETE SUITE

DATE 21.06.2018	SCALE 1:2
REF. TL45.0012	



SECTION A-A

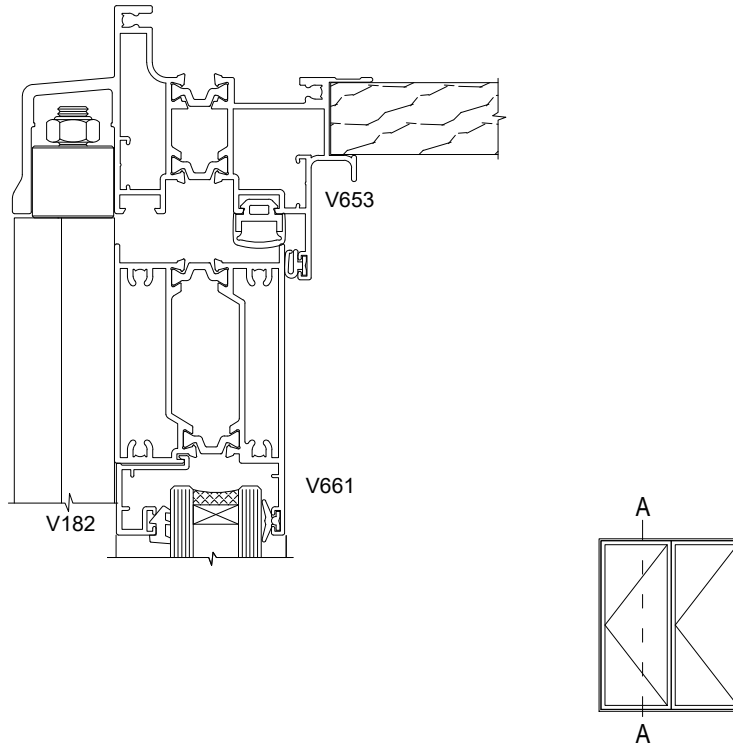


SECTION A-A

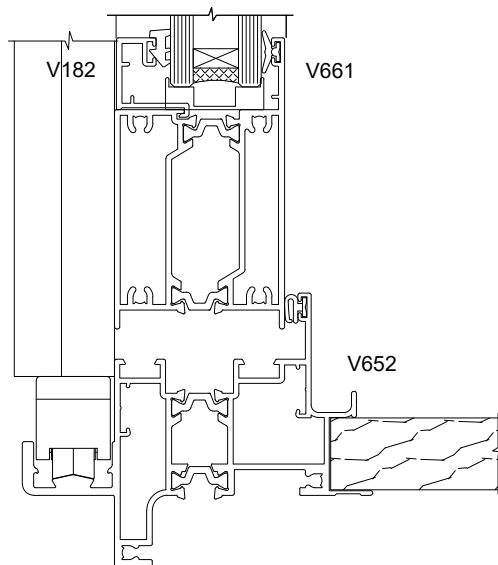
HINGED DOOR

FAIRVIEW SYSTEMS LIMITED SPECIFIERS GUIDE 2014 © TECHNICAL SPECIFICATIONS & PROFILE DETAILS SUBJECT TO CHANGE WITHOUT NOTICE

<h3>THERMAL LINEAR 40 - COMPLETE SUITE</h3>	DATE 21.06.2018	SCALE 1:2
	REF. TL45.0013	



SECTION A-A



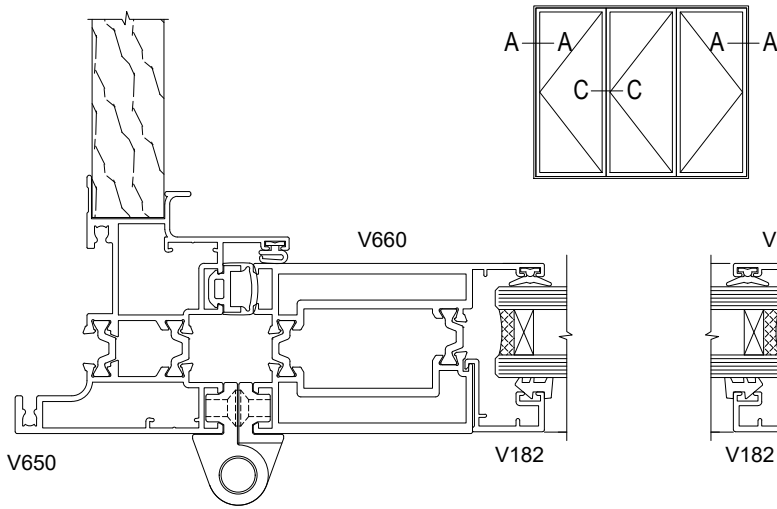
BOTTOM ROLLING BI-FOLD DOOR

FAIRVIEW SYSTEMS LIMITED SPECIFIERS GUIDE 2014 © TECHNICAL SPECIFICATIONS & PROFILE DETAILS SUBJECT TO CHANGE WITHOUT NOTICE

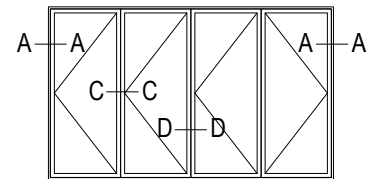
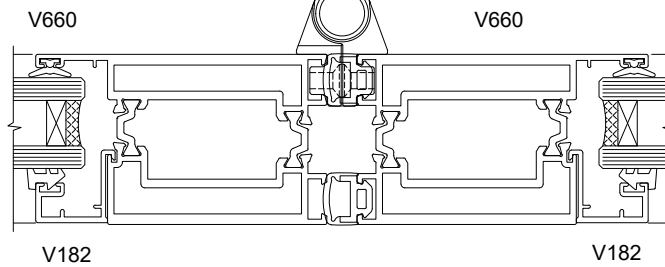
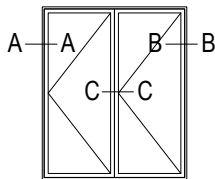
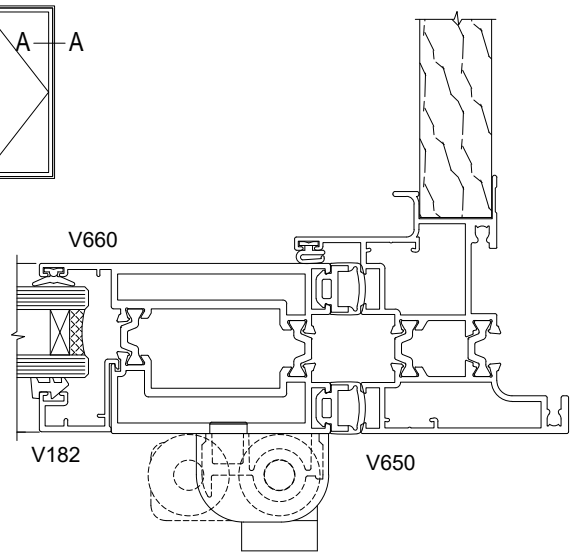
THERMAL LINEAR 40 - COMPLETE SUITE

DATE 21.06.2018	SCALE 1:2
REF. TL45.0021	

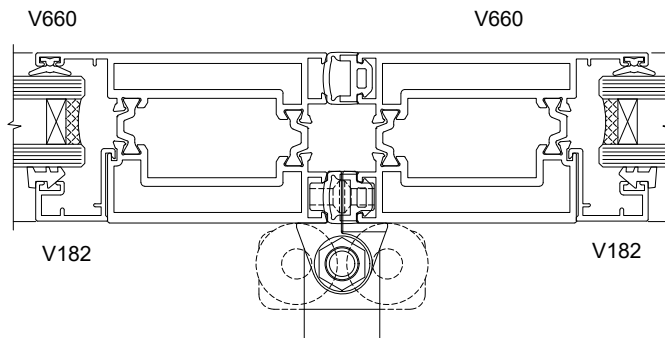
SECTION A-A



SECTION B-B



SECTION C-C



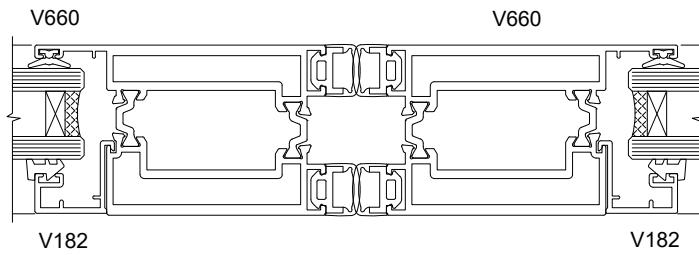
SECTION D-D

BOTTOM ROLLING BI-FOLD DOOR

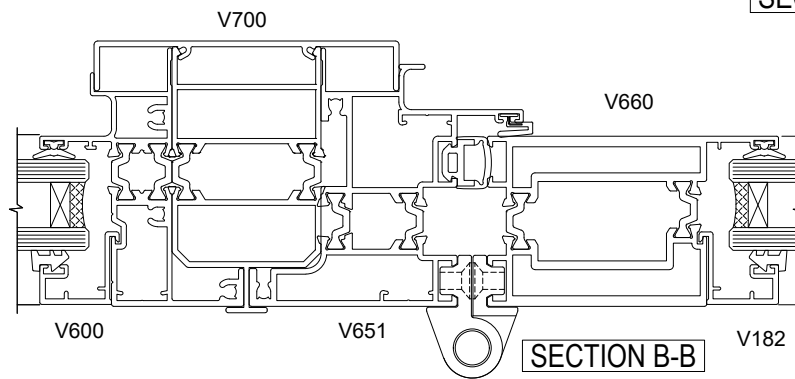
FAIRVIEW SYSTEMS LIMITED SPECIFIERS GUIDE 2014 © TECHNICAL SPECIFICATIONS & PROFILE DETAILS SUBJECT TO CHANGE WITHOUT NOTICE

THERMAL LINEAR 40 - COMPLETE SUITE

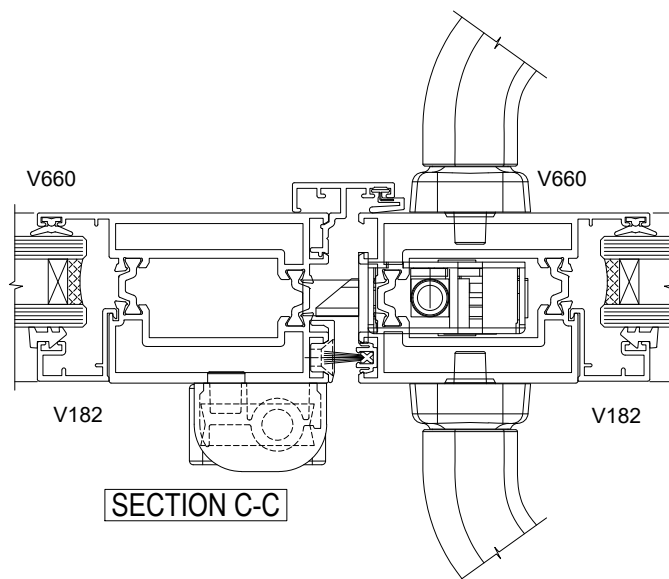
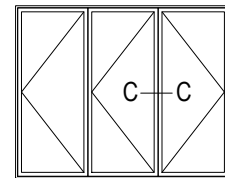
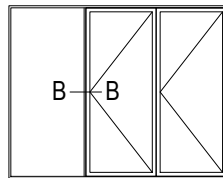
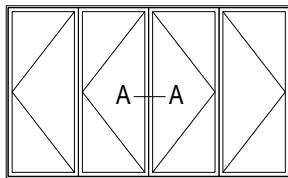
DATE 21.06.2018	SCALE 1:2
REF. TL45.0022	



SECTION A-A



SECTION B-B



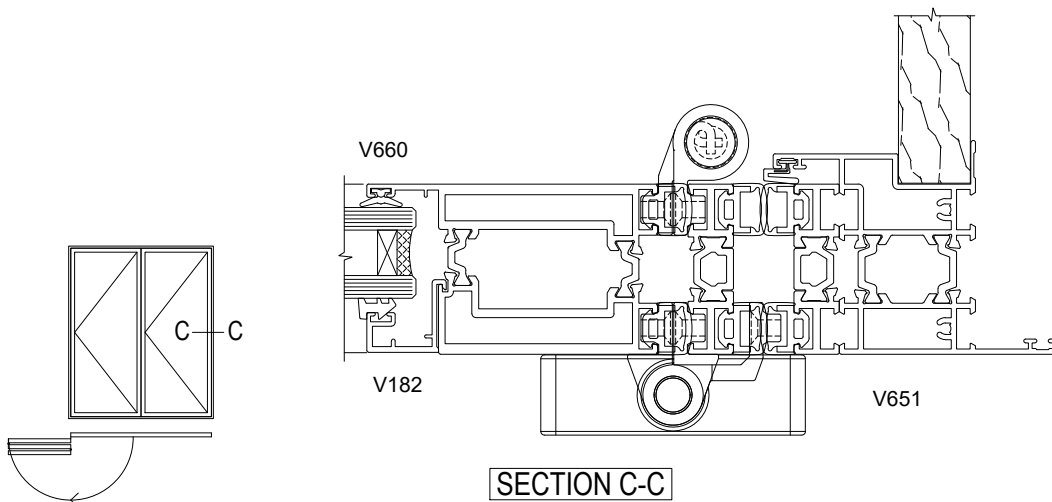
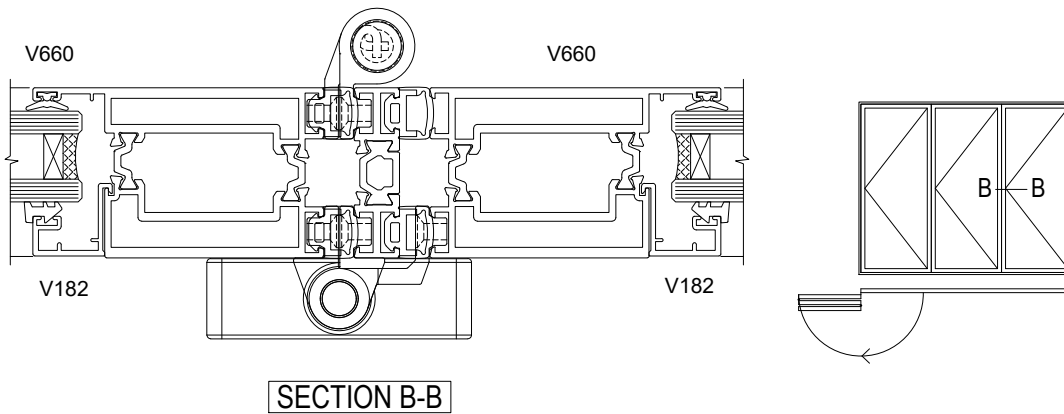
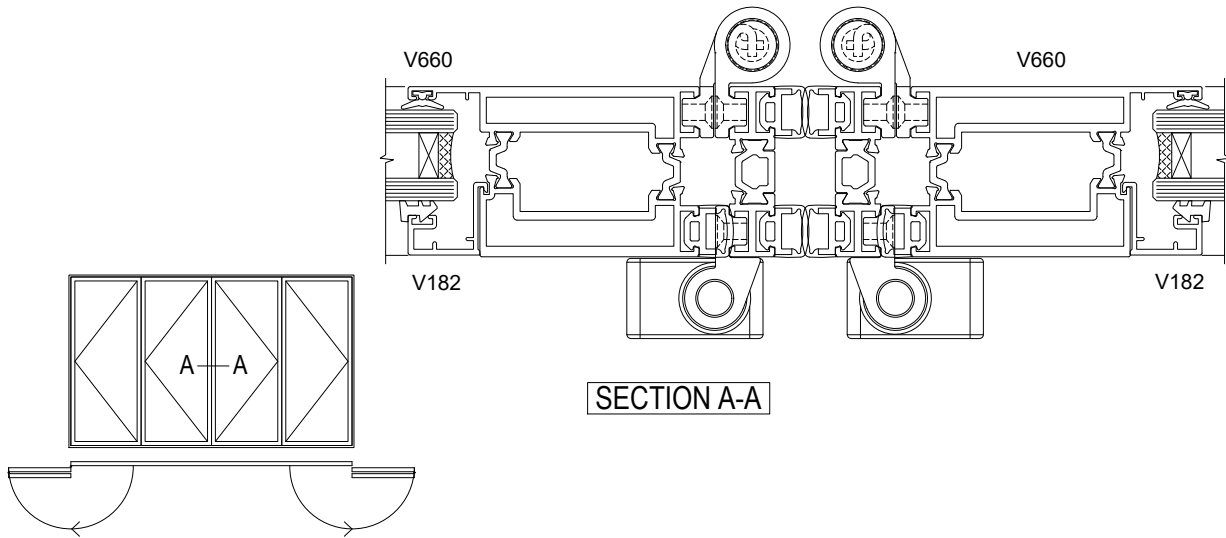
SECTION C-C

BOTTOM ROLLING BI-FOLD DOOR

FAIRVIEW SYSTEMS LIMITED SPECIFIERS GUIDE 2014 © TECHNICAL SPECIFICATIONS & PROFILE DETAILS SUBJECT TO CHANGE WITHOUT NOTICE

THERMAL LINEAR 40 - COMPLETE SUITE

DATE 21.06.2018	SCALE 1:2
REF. TL45.0023	



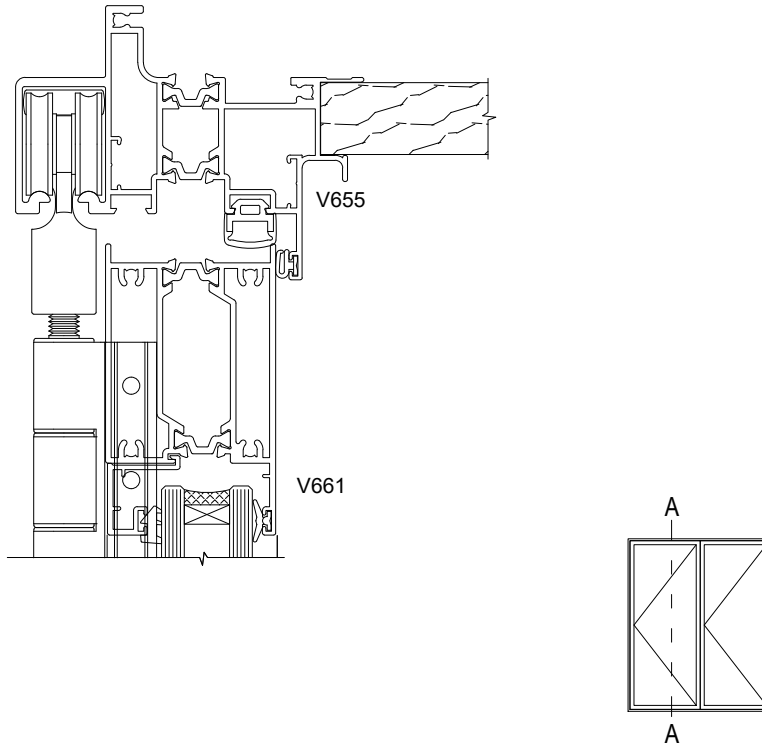
FREEFOLD

BOTTOM ROLLING BI-FOLD DOOR

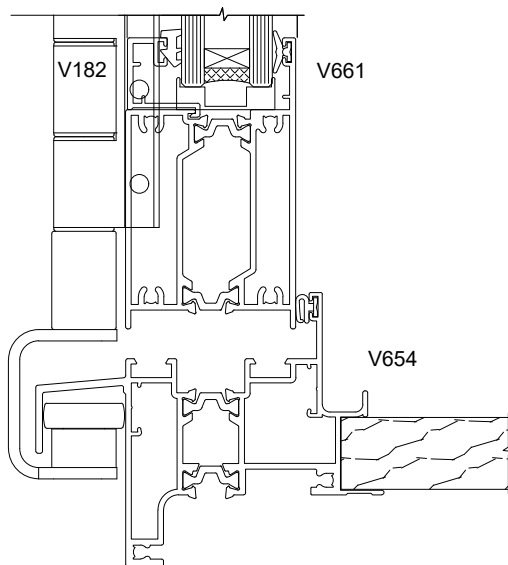
FAIRVIEW SYSTEMS LIMITED SPECIFIERS GUIDE 2014 © TECHNICAL SPECIFICATIONS & PROFILE DETAILS SUBJECT TO CHANGE WITHOUT NOTICE

THERMAL LINEAR 40 - COMPLETE SUITE

DATE 21.06.2018	SCALE 1:2
REF. TL45.0024	



SECTION A-A



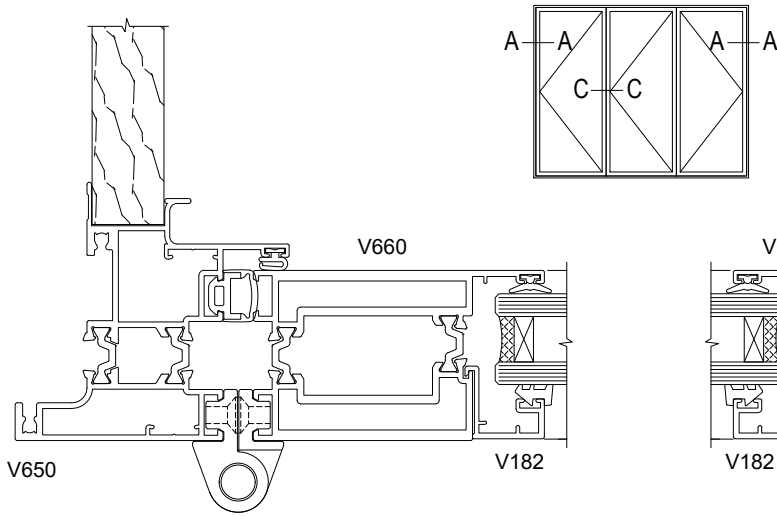
TOP HUNG BI-FOLD DOOR

FAIRVIEW SYSTEMS LIMITED SPECIFIERS GUIDE 2014 © TECHNICAL SPECIFICATIONS & PROFILE DETAILS SUBJECT TO CHANGE WITHOUT NOTICE

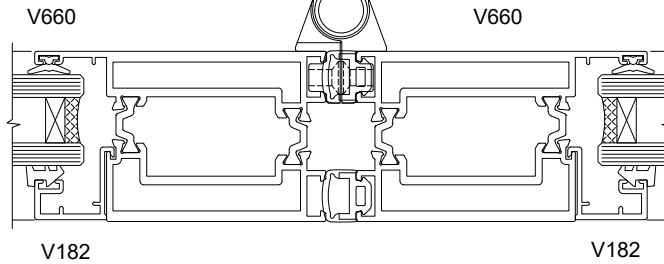
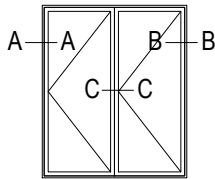
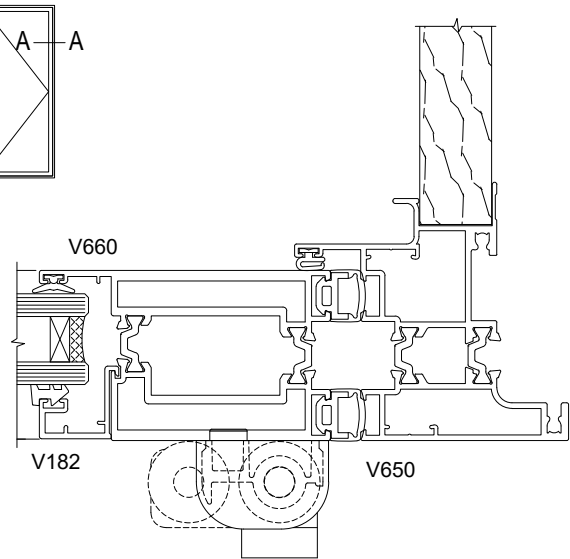
THERMAL LINEAR 40 - COMPLETE SUITE

DATE 21.06.2018	SCALE 1:2
REF. TL45.0031	

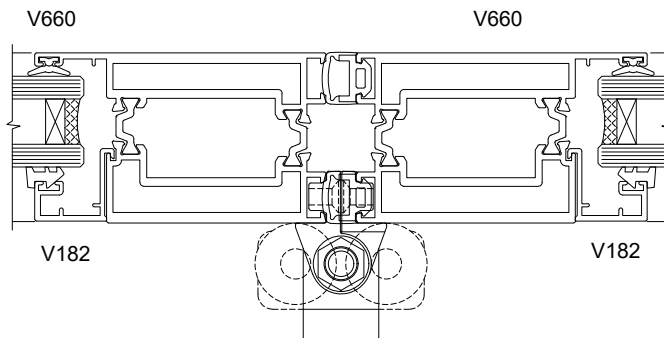
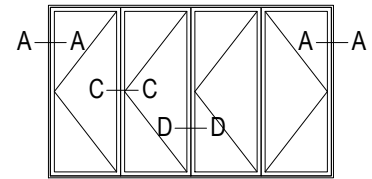
SECTION A-A



SECTION B-B



SECTION C-C



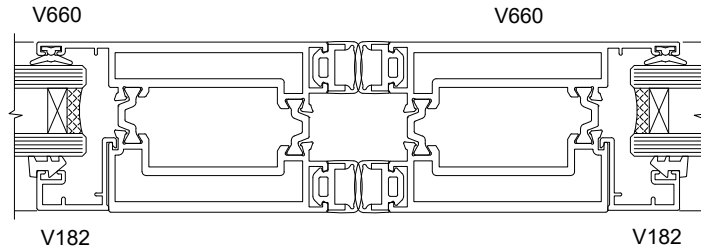
SECTION D-D

TOP HUNG BI-FOLD DOOR

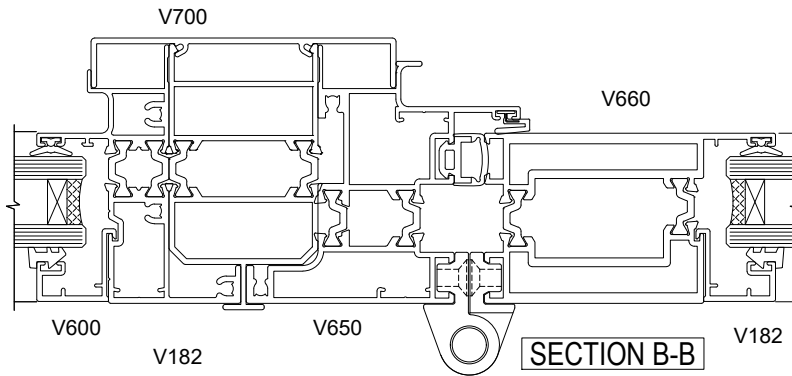
FAIRVIEW SYSTEMS LIMITED SPECIFIERS GUIDE 2014 © TECHNICAL SPECIFICATIONS & PROFILE DETAILS SUBJECT TO CHANGE WITHOUT NOTICE

THERMAL LINEAR 40 - COMPLETE SUITE

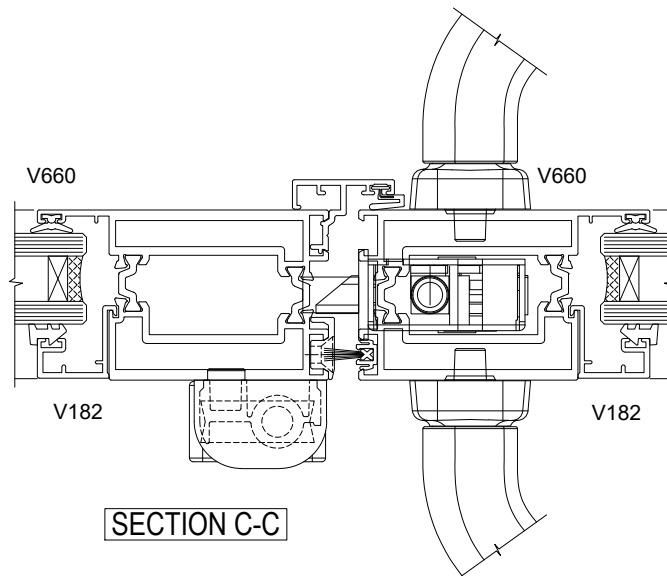
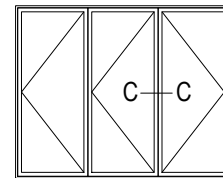
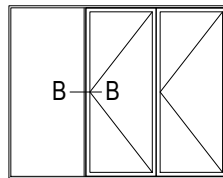
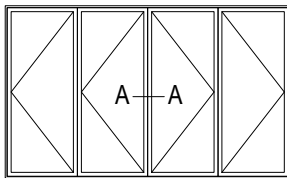
DATE 21.06.2018	SCALE 1:2
REF. TL45.0032	



SECTION A-A



SECTION B-B



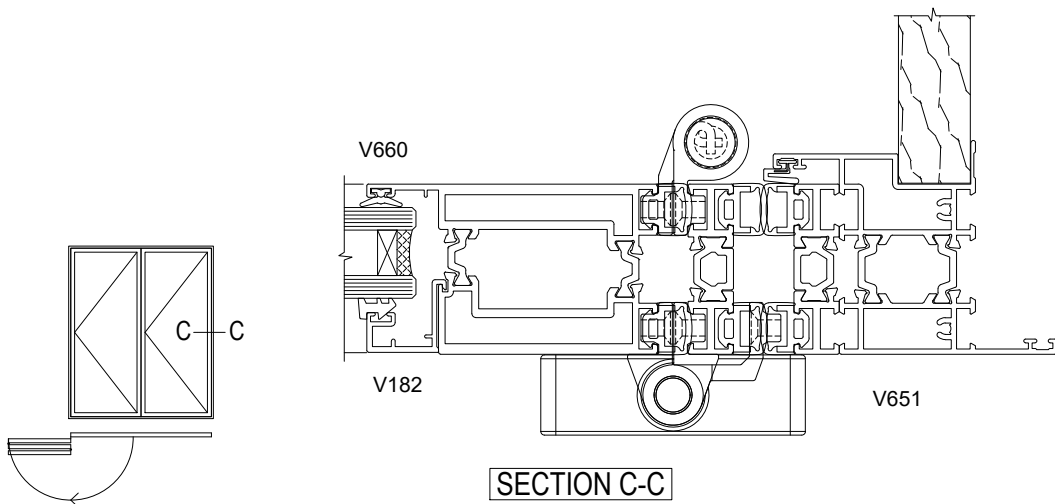
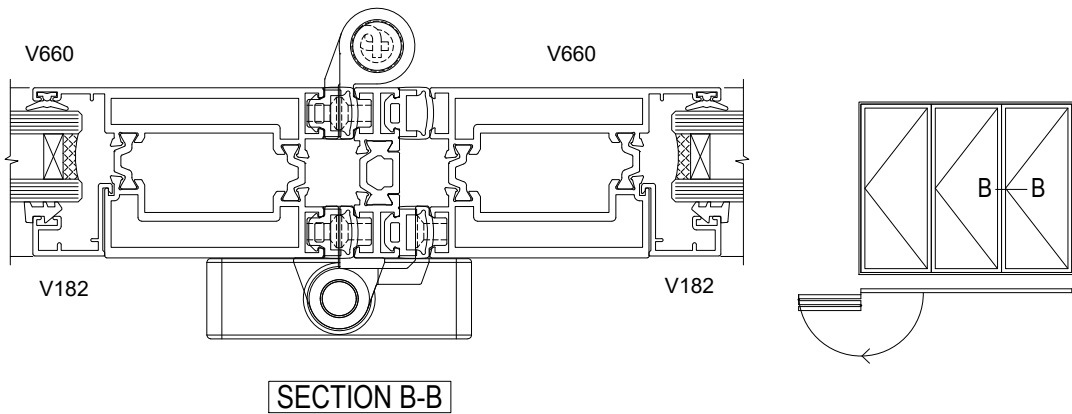
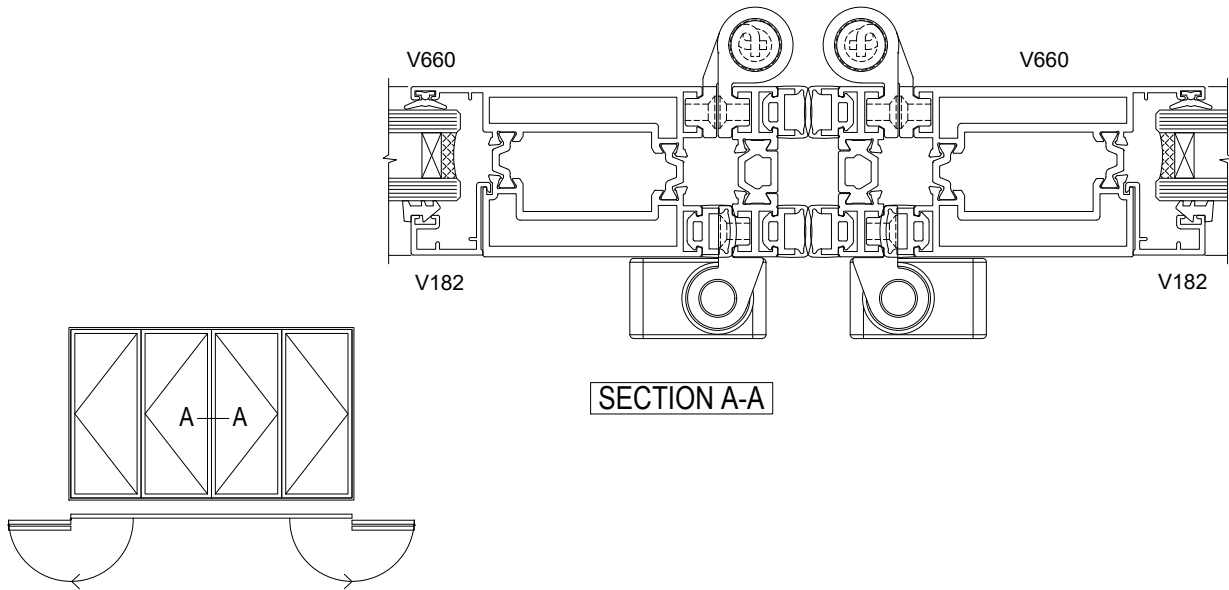
SECTION C-C

TOP HUNG BI-FOLD DOOR

FAIRVIEW SYSTEMS LIMITED SPECIFIERS GUIDE 2014 © TECHNICAL SPECIFICATIONS & PROFILE DETAILS SUBJECT TO CHANGE WITHOUT NOTICE

THERMAL LINEAR 40 - COMPLETE SUITE

DATE 21.06.2018	SCALE 1:2
REF. TL45.0033	



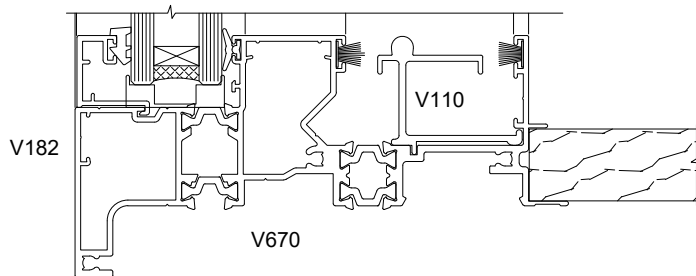
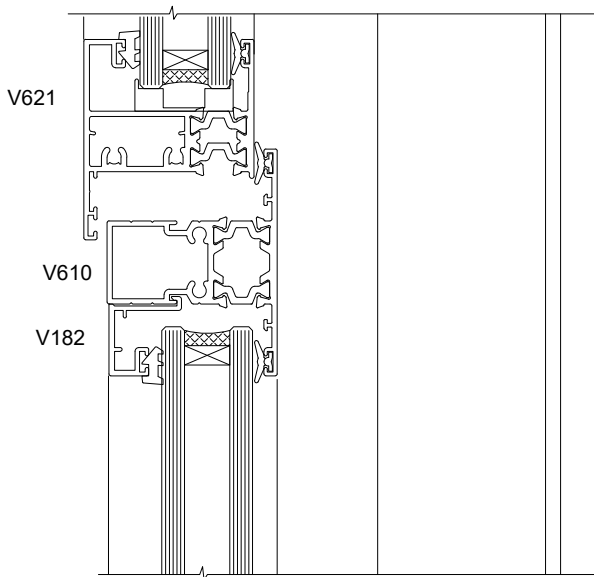
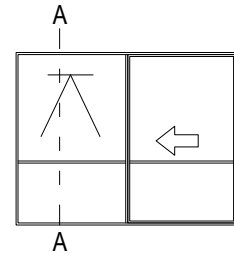
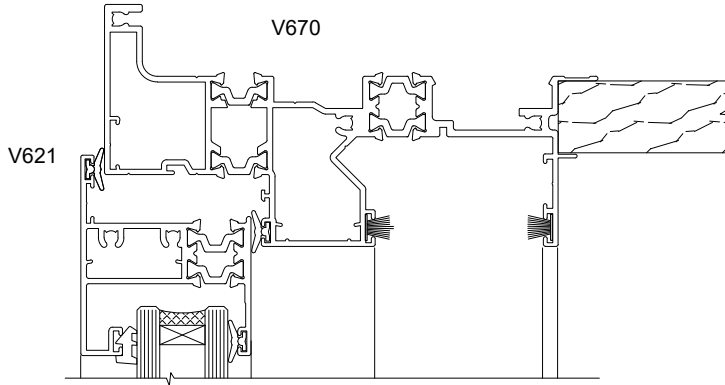
FREEFOLD

TOP HUNG BI-FOLD DOOR

FAIRVIEW SYSTEMS LIMITED SPECIFIERS GUIDE 2014 © TECHNICAL SPECIFICATIONS & PROFILE DETAILS SUBJECT TO CHANGE WITHOUT NOTICE

THERMAL LINEAR 40 - COMPLETE SUITE

DATE 21.06.2018	SCALE 1:2
REF. TL45.0034	



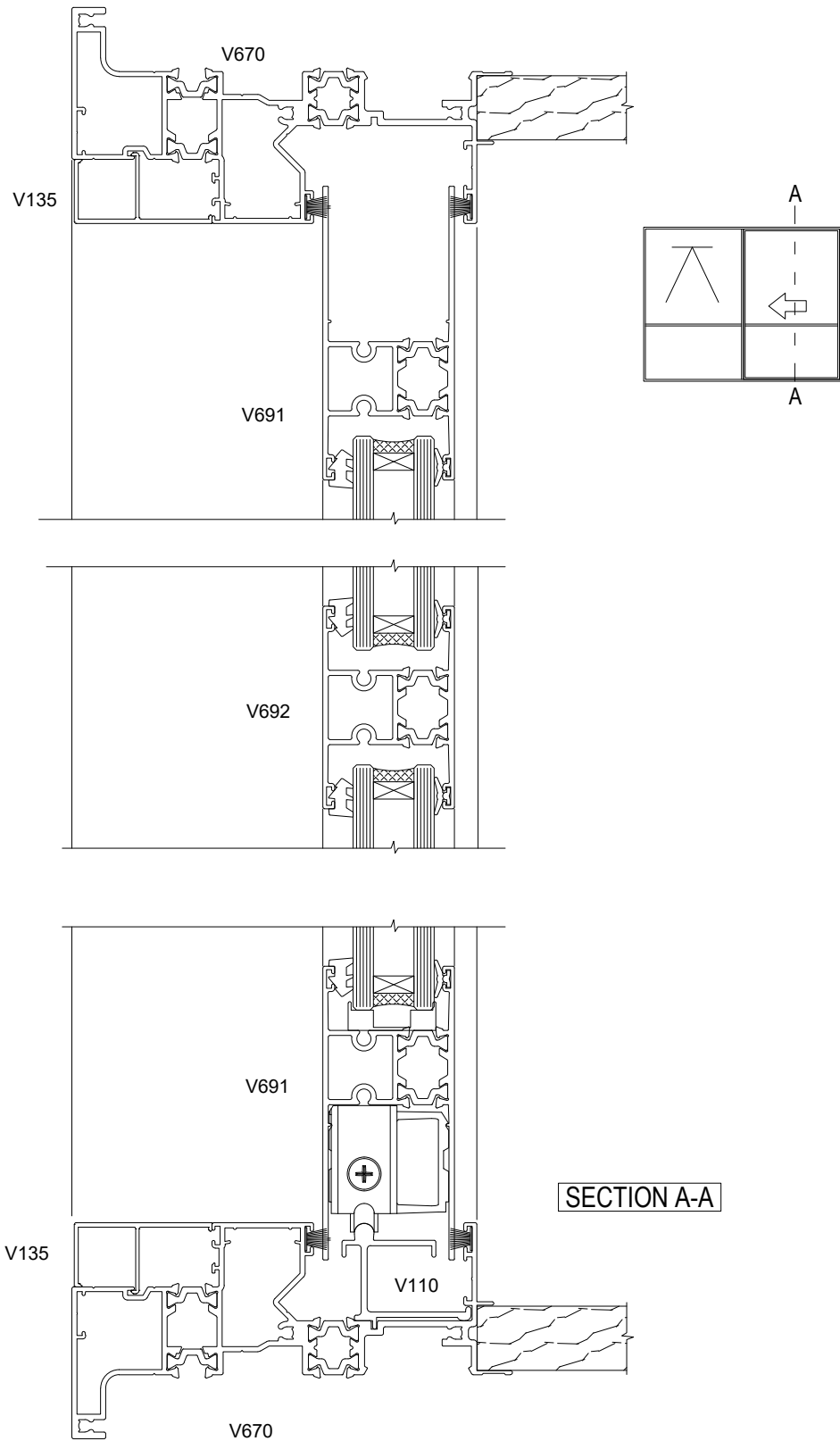
SECTION A-A

SLIDING DOOR

FAIRVIEW SYSTEMS LIMITED SPECIFIERS GUIDE 2014 © TECHNICAL SPECIFICATIONS & PROFILE DETAILS SUBJECT TO CHANGE WITHOUT NOTICE

THERMAL LINEAR 40 - COMPLETE SUITE

DATE 21.06.2018	SCALE 1:2
REF. TL45.0041	

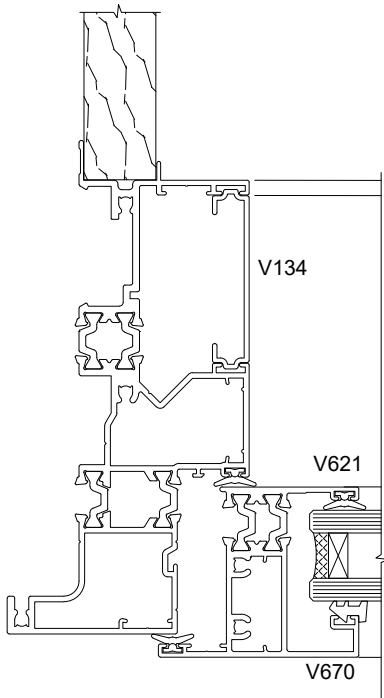


SLIDING DOOR

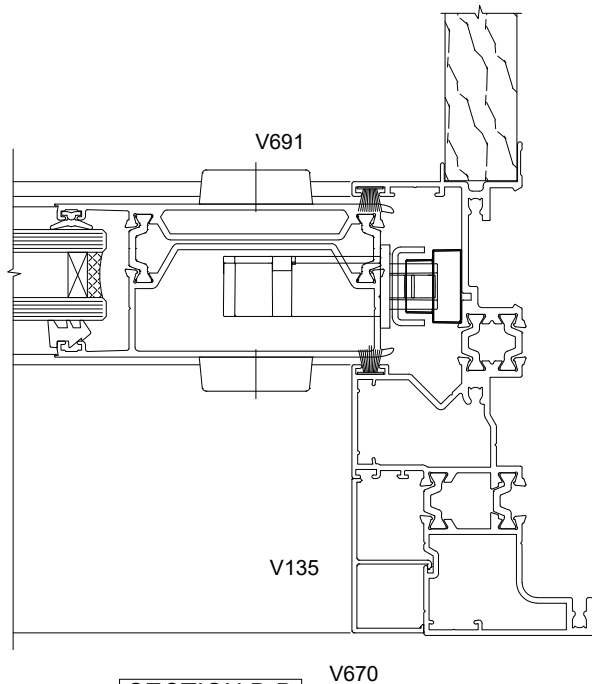
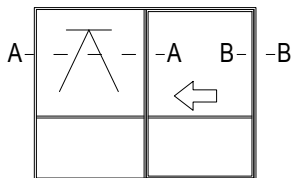
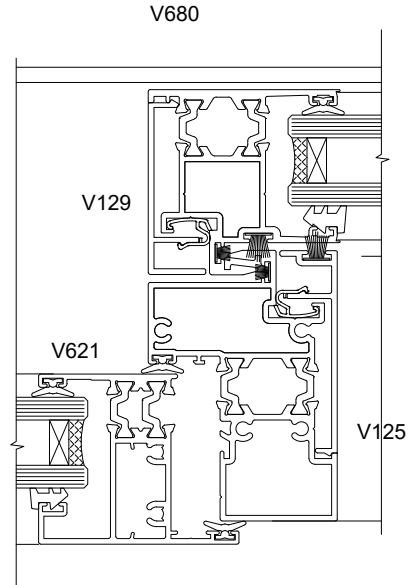
FAIRVIEW SYSTEMS LIMITED SPECIFIERS GUIDE 2014 © TECHNICAL SPECIFICATIONS & PROFILE DETAILS SUBJECT TO CHANGE WITHOUT NOTICE

THERMAL LINEAR 40 - COMPLETE SUITE

DATE 21.06.2018	SCALE 1:2
REF. TL45.0042	



SECTION A-A



SECTION B-B

SLIDING DOOR

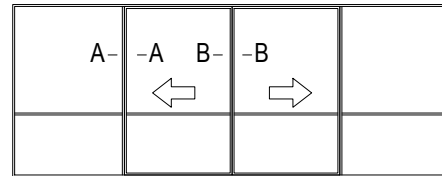
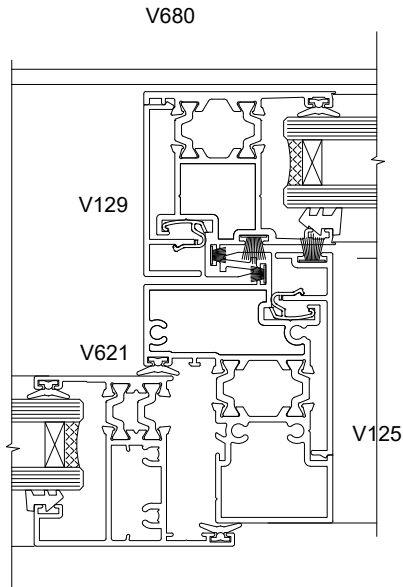
FAIRVIEW SYSTEMS LIMITED SPECIFIERS GUIDE 2014 © TECHNICAL SPECIFICATIONS & PROFILE DETAILS SUBJECT TO CHANGE WITHOUT NOTICE

THERMAL LINEAR 40 - COMPLETE SUITE

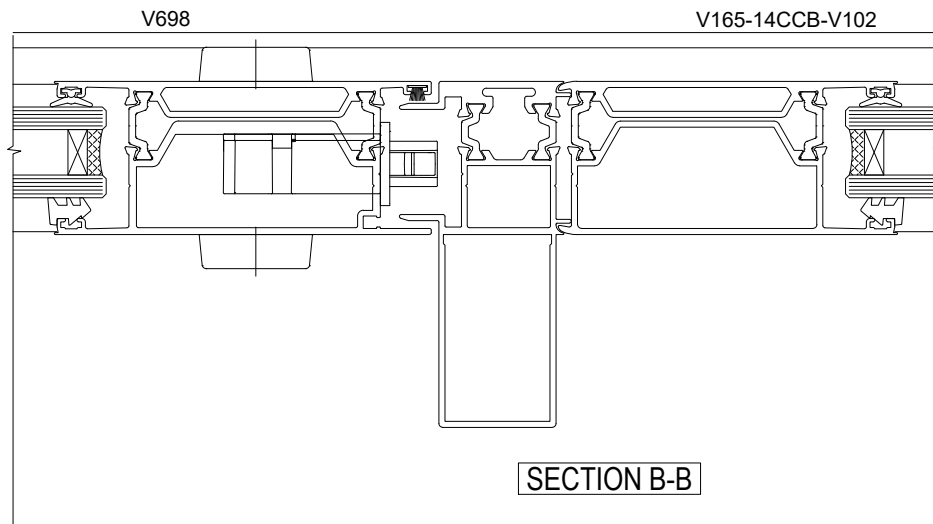
DATE
21.06.2018

SCALE
1:2

REF. TL45.0043



SECTION A-A



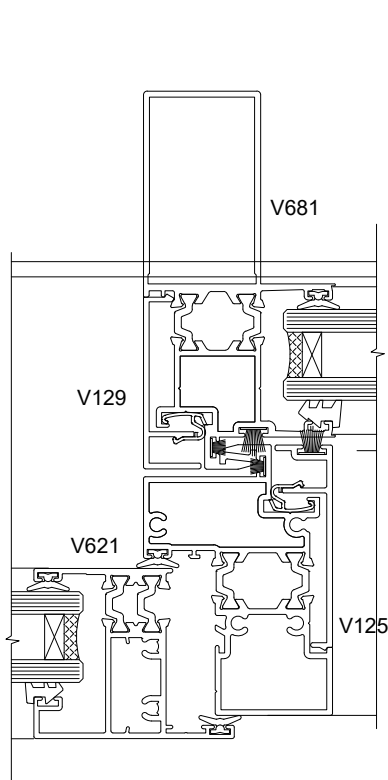
SECTION B-B

SLIDING DOOR

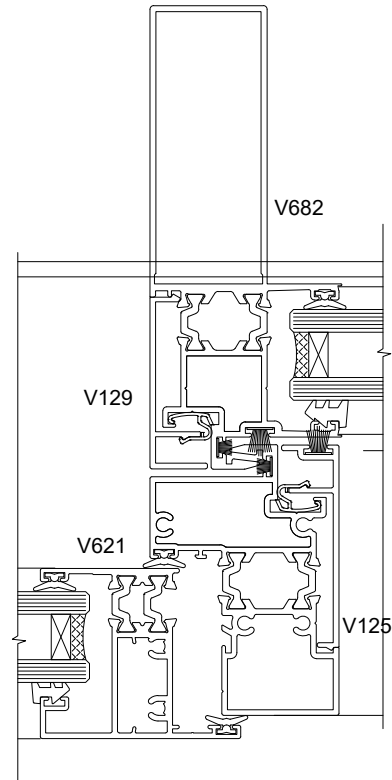
FAIRVIEW SYSTEMS LIMITED SPECIFIERS GUIDE 2014 © TECHNICAL SPECIFICATIONS & PROFILE DETAILS SUBJECT TO CHANGE WITHOUT NOTICE

THERMAL LINEAR 40 - COMPLETE SUITE

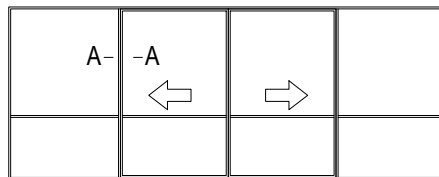
DATE 21.06.2018	SCALE 1:2
REF. TL45.0044	



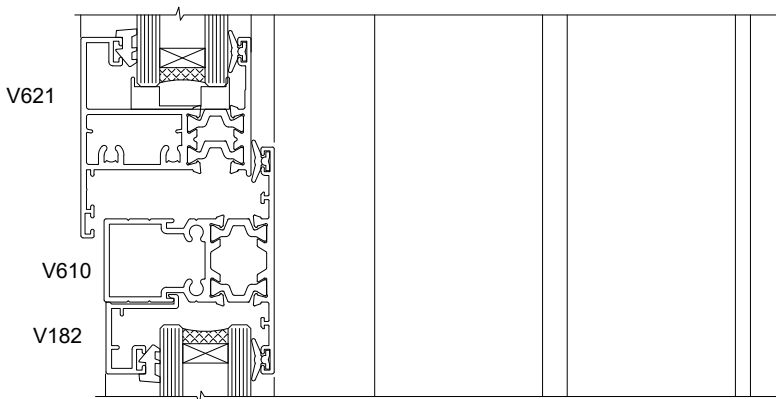
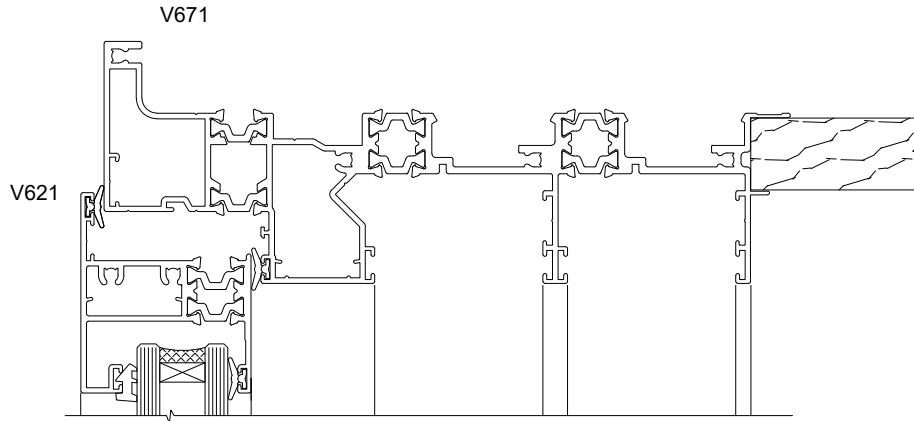
SECTION A-A



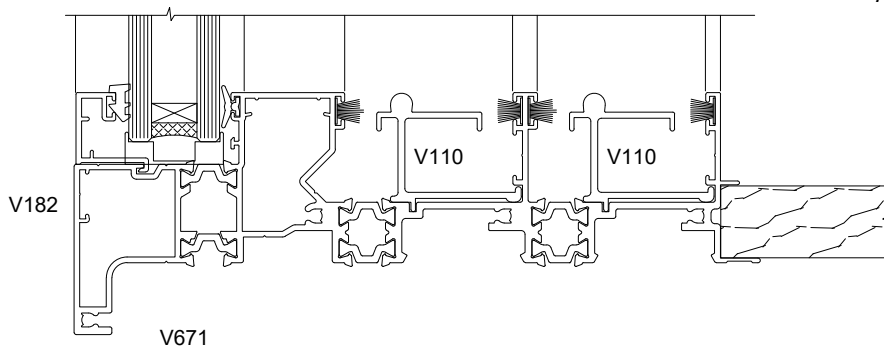
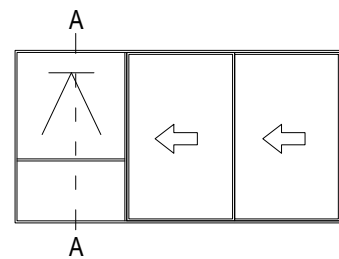
SECTION A-A



<h2>THERMAL LINEAR 40 - COMPLETE SUITE</h2>	DATE 21.06.2018	SCALE 1:2
	REF. TL45.0045	



SECTION A-A

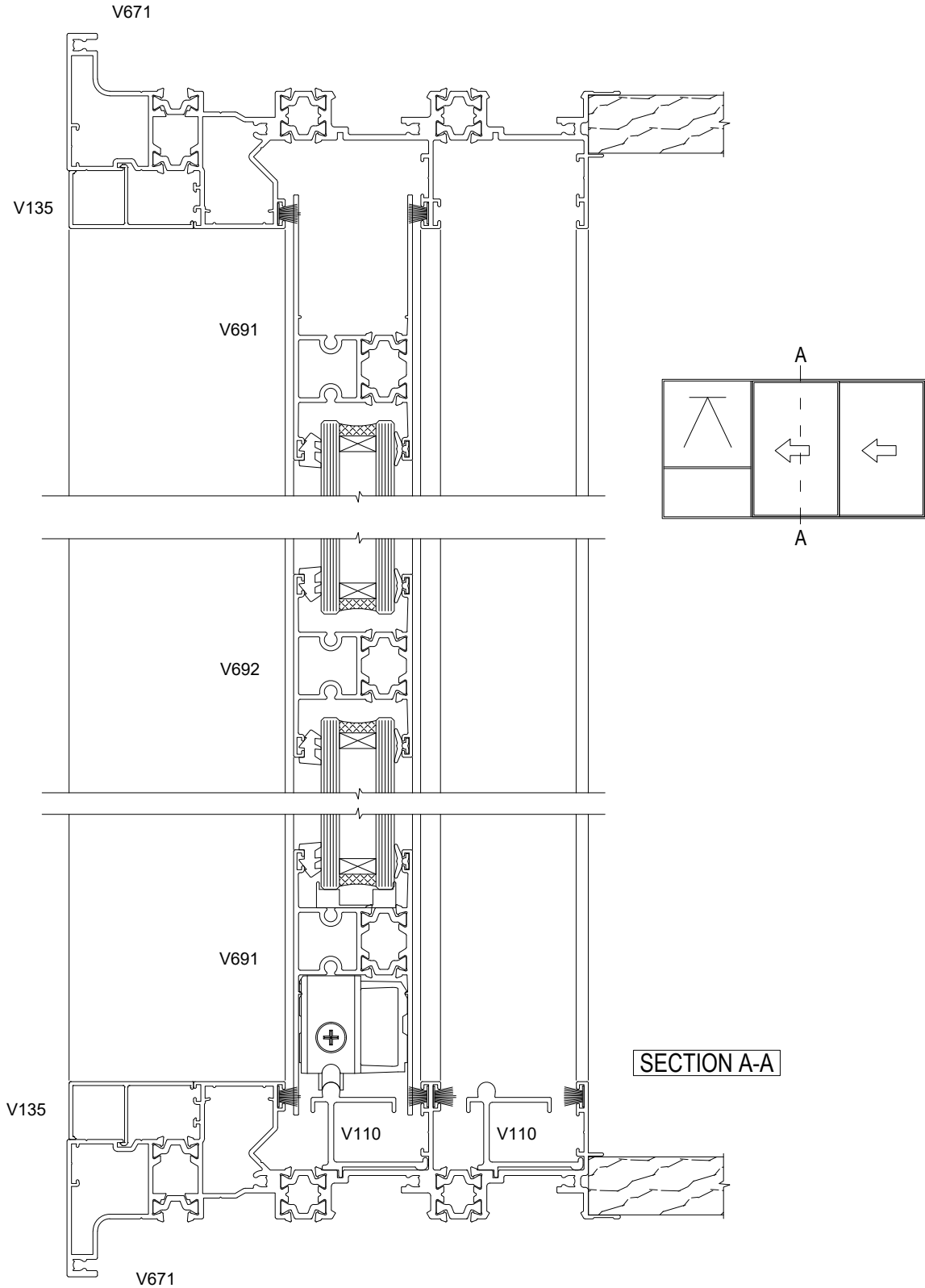


STACKING DOOR

FAIRVIEW SYSTEMS LIMITED SPECIFIERS GUIDE 2014 © TECHNICAL SPECIFICATIONS & PROFILE DETAILS SUBJECT TO CHANGE WITHOUT NOTICE

THERMAL LINEAR 40 - COMPLETE SUITE

DATE 21.06.2018	SCALE 1:2
REF. TL45.0051	

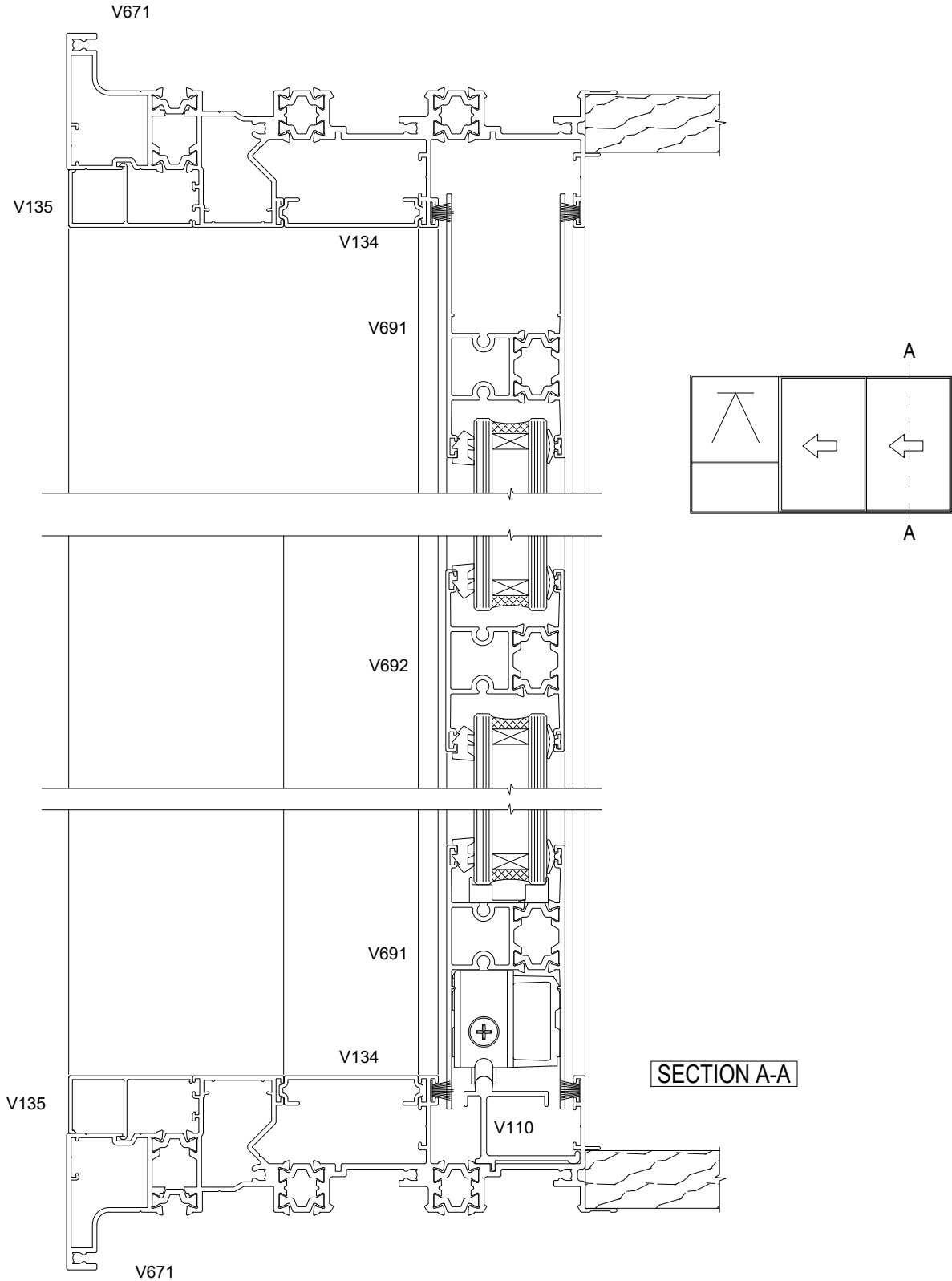


STACKING DOOR

FAIRVIEW SYSTEMS LIMITED SPECIFIERS GUIDE 2014 © TECHNICAL SPECIFICATIONS & PROFILE DETAILS SUBJECT TO CHANGE WITHOUT NOTICE

THERMAL LINEAR 40 - COMPLETE SUITE

DATE 21.06.2018	SCALE 1:2
REF. TL45.0052	

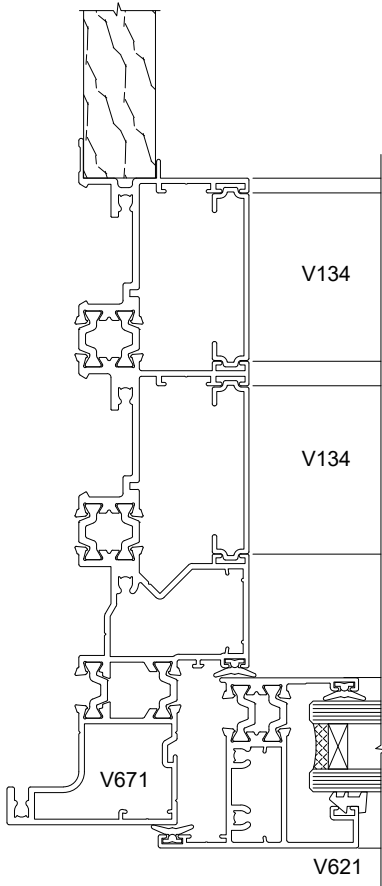


STACKING DOOR

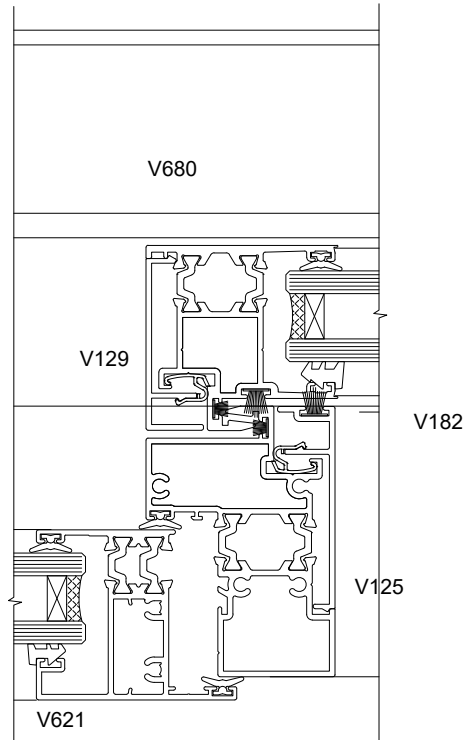
FAIRVIEW SYSTEMS LIMITED SPECIFIERS GUIDE 2014 © TECHNICAL SPECIFICATIONS & PROFILE DETAILS SUBJECT TO CHANGE WITHOUT NOTICE

THERMAL LINEAR 40 - COMPLETE SUITE

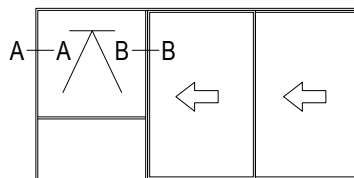
DATE 21.06.2018	SCALE 1:2
REF. TL45.0053	



SECTION A-A



SECTION B-B

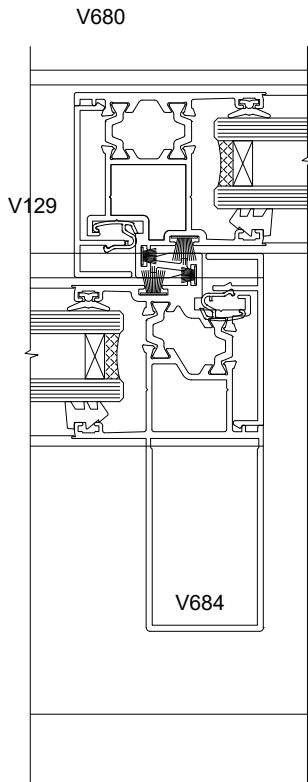


STACKING DOOR

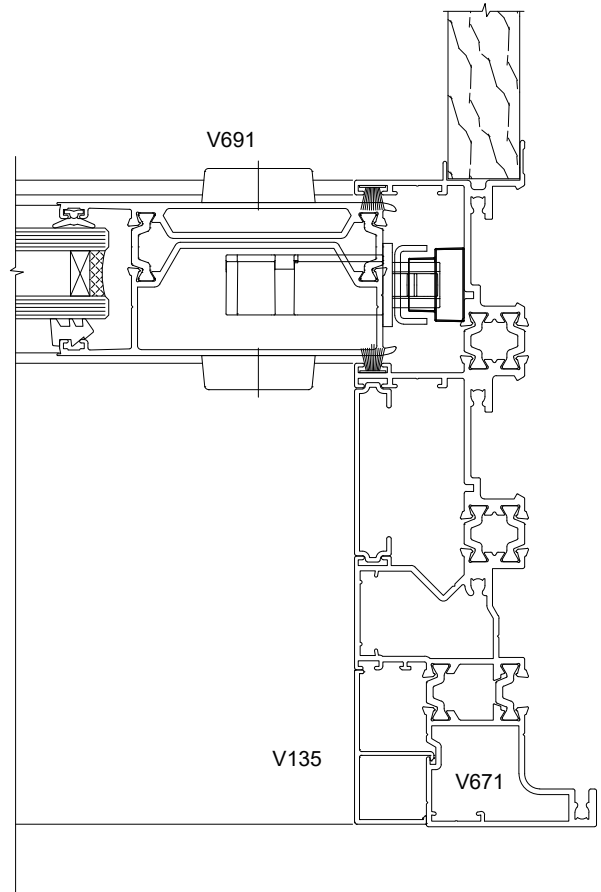
FAIRVIEW SYSTEMS LIMITED SPECIFIERS GUIDE 2014 © TECHNICAL SPECIFICATIONS & PROFILE DETAILS SUBJECT TO CHANGE WITHOUT NOTICE

THERMAL LINEAR 40 - COMPLETE SUITE

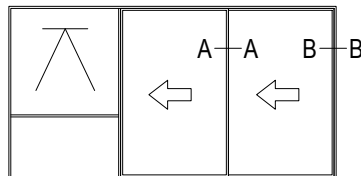
DATE 21.06.2018	SCALE 1:2
REF. TL45.0054	



SECTION A-A



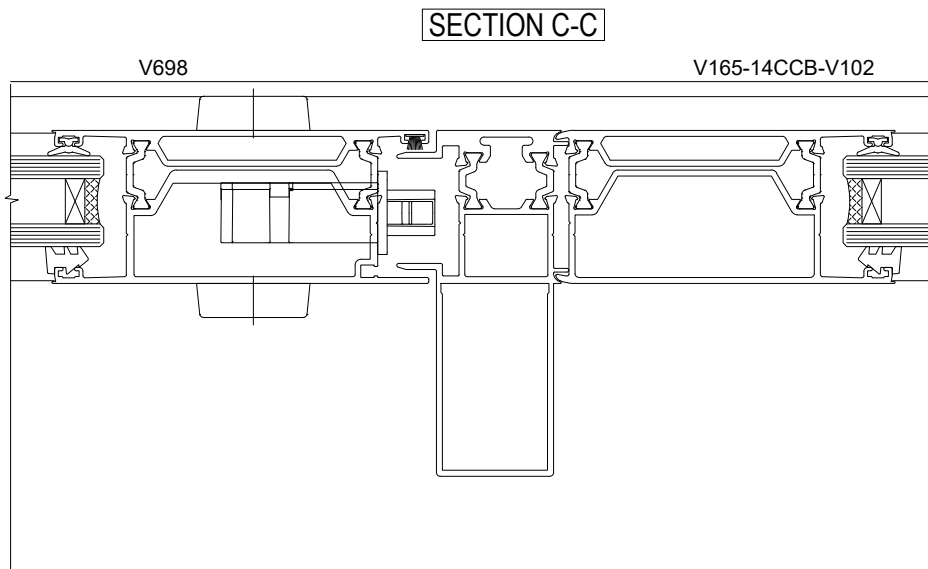
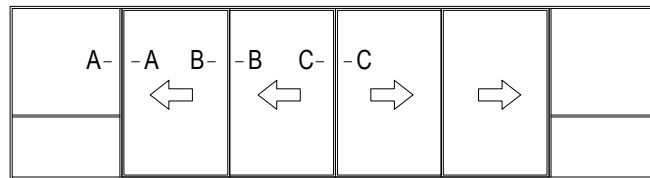
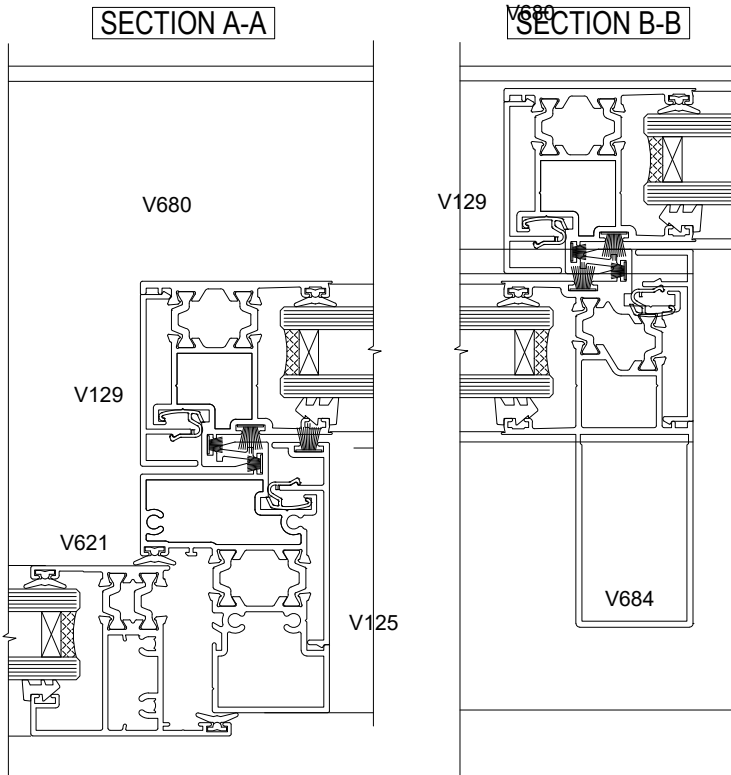
SECTION B-B



STACKING DOOR

FAIRVIEW SYSTEMS LIMITED SPECIFIERS GUIDE 2014 © TECHNICAL SPECIFICATIONS & PROFILE DETAILS SUBJECT TO CHANGE WITHOUT NOTICE

<h3>THERMAL LINEAR 40 - COMPLETE SUITE</h3>	DATE 21.06.2018	SCALE 1:2
	REF. TL45.0055	



FAIRVIEW SYSTEMS LIMITED SPECIFIERS GUIDE 2014 © TECHNICAL SPECIFICATIONS & PROFILE DETAILS SUBJECT TO CHANGE WITHOUT NOTICE

THERMAL LINEAR 40 - COMPLETE SUITE

DATE 21.06.2018	SCALE 1:2
REF. TL45.0056	