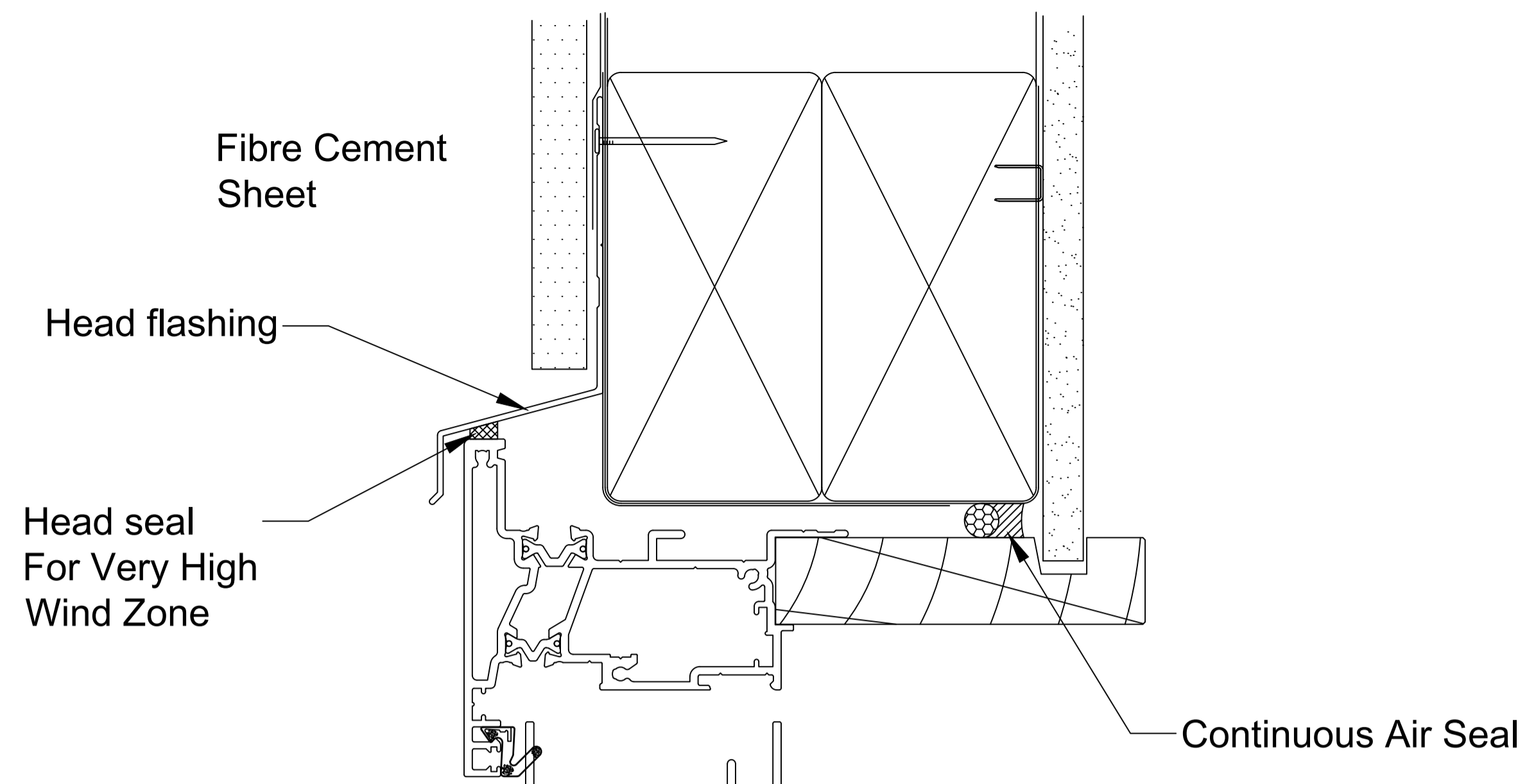


This document is intended as a guide only and is to be used in conjunction with The Wanz Guide to Window Installation as described in E2/AS1 Amendment 5 (see link below) <http://www.wanz.org.nz/download/WANZ%20Guide%20to%20E2%20AS1%20Amd%206%20V1.3%20Dec%202014.pdf>

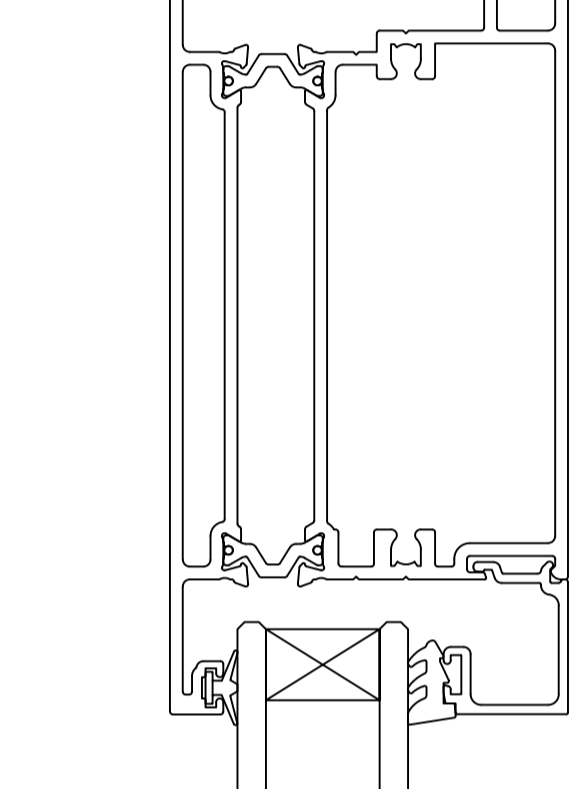
OMEGA WINDOWS AND DOORS
BIFOLD DOOR
400 SERIES THERMAL

FIBRE CEMENT SHEET

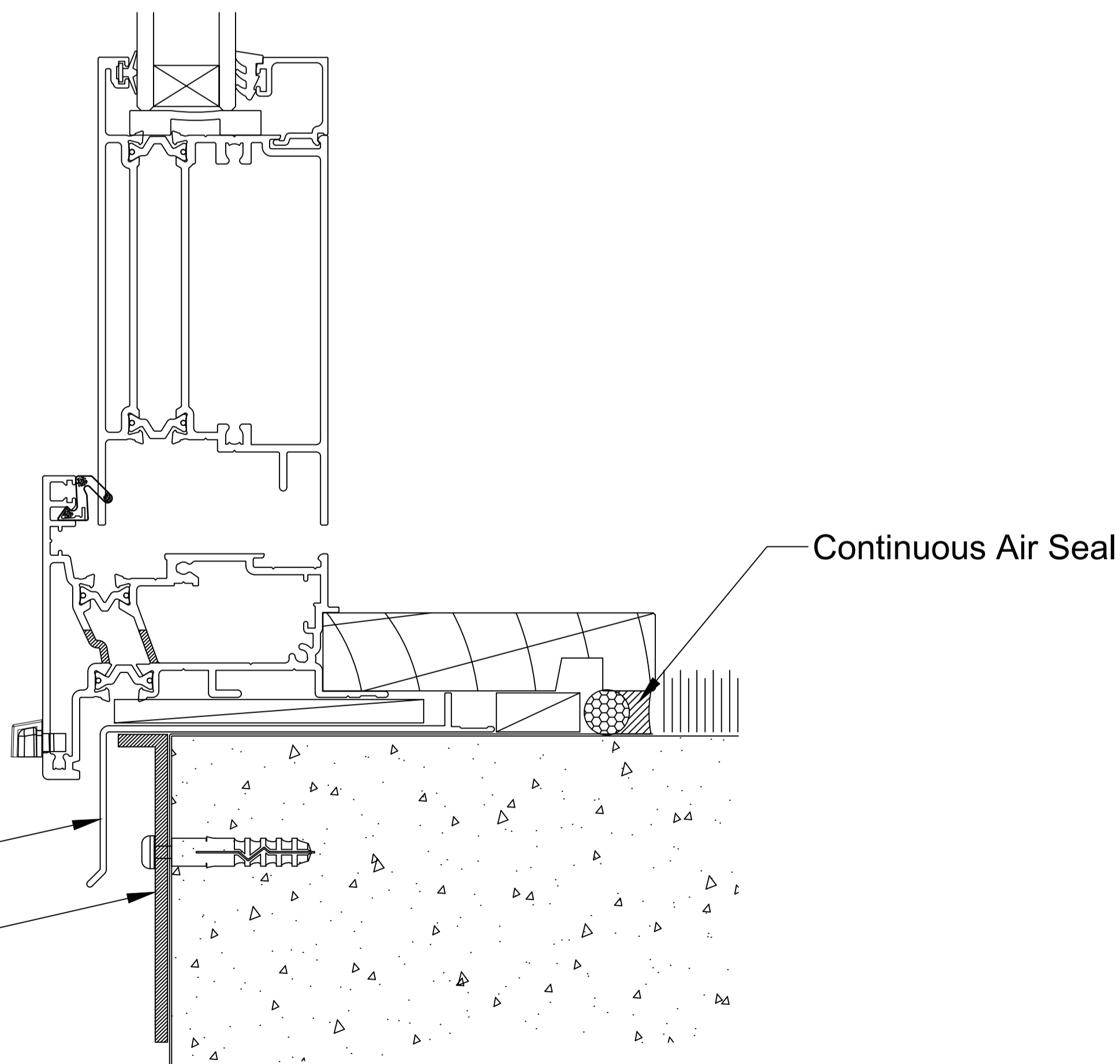
50.0
SCALE 1:1 @ A1



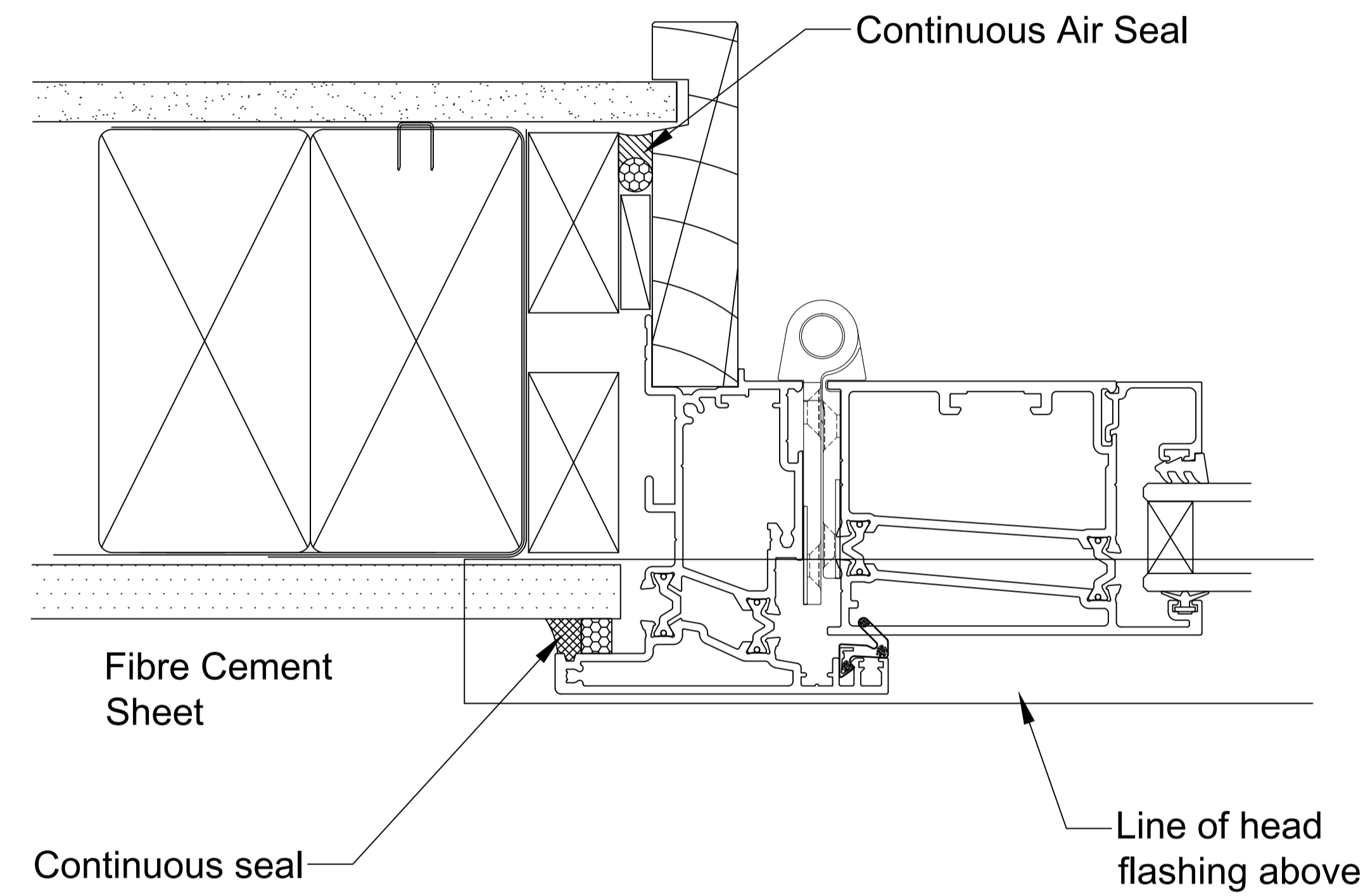
Head Detail



Sill Detail



Jamb Detail

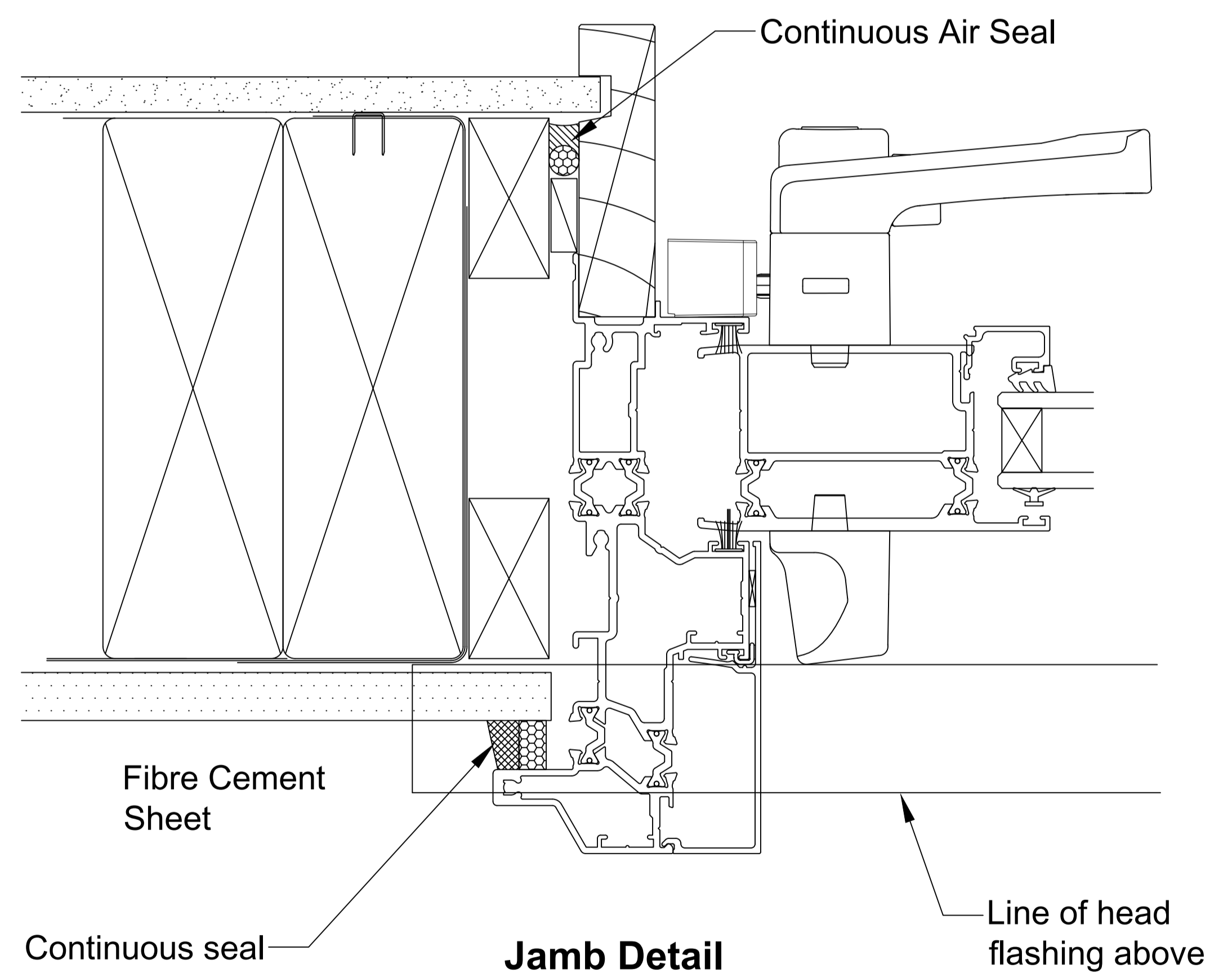
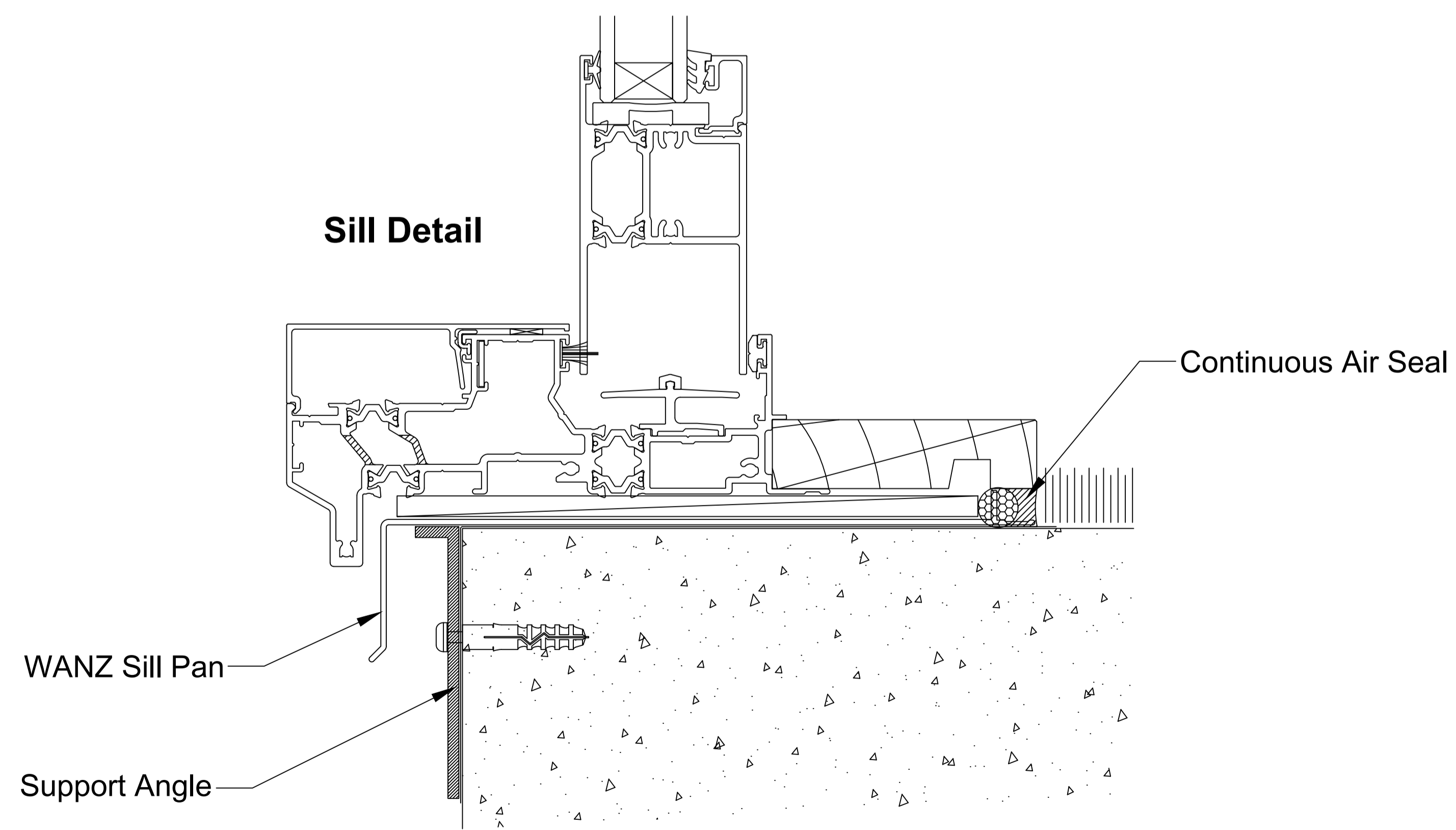
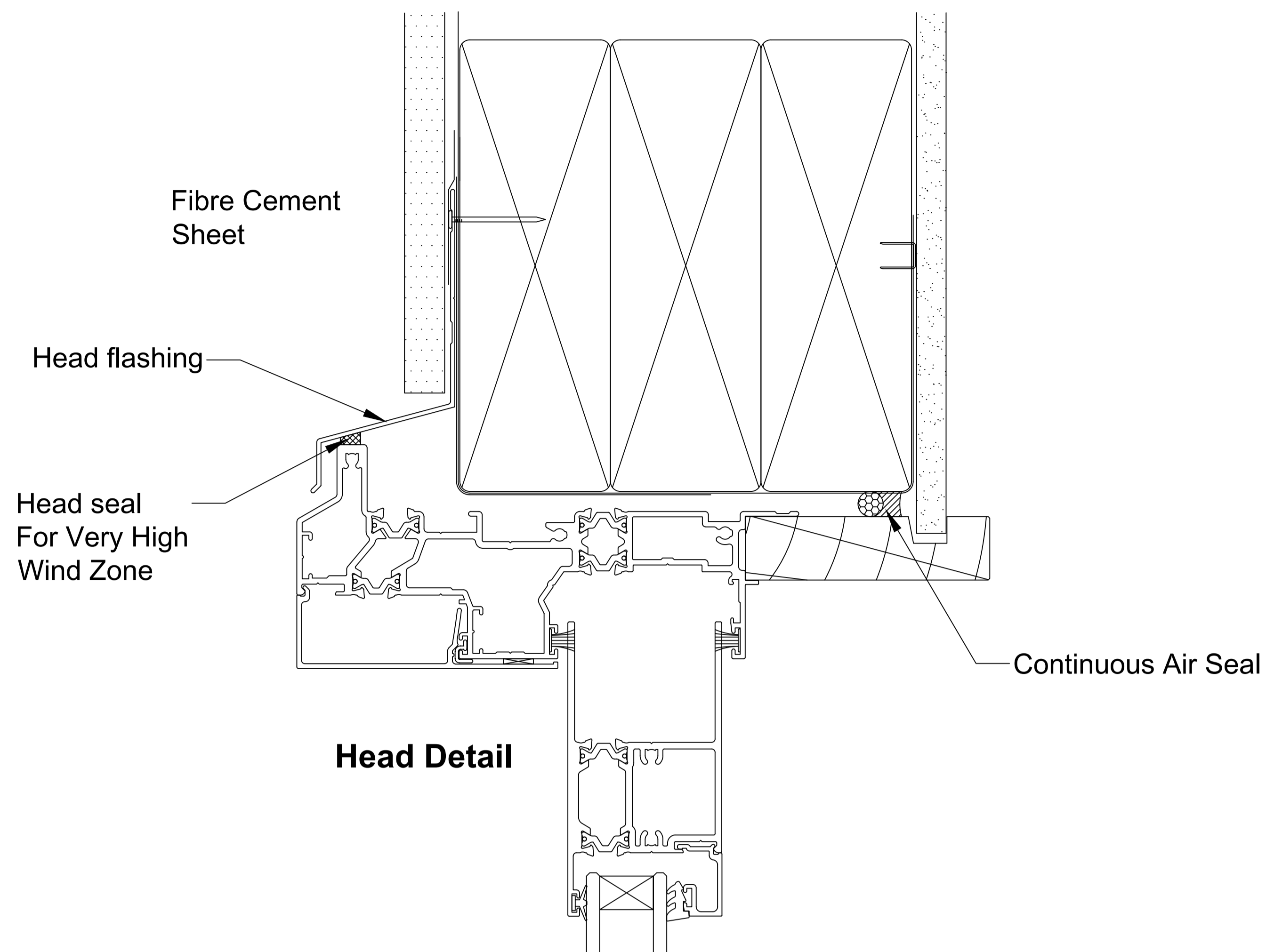


This document is intended as a guide only and is to be used in conjunction with The Wanz Guide to Window Installation as described in E2/AS1 Amendment 5 (see link below) <http://www.wanz.org.nz/download/WANZ%20Guide%20to%20E2%20AS1%20Amd%206%20V1.3%20Dec%202014.pdf>

OMEGA WINDOWS AND DOORS
HINGE DOOR OPEN OUT
400 SERIES THERMAL

FIBRE CEMENT SHEET

50.0
SCALE 1:1 @ A1

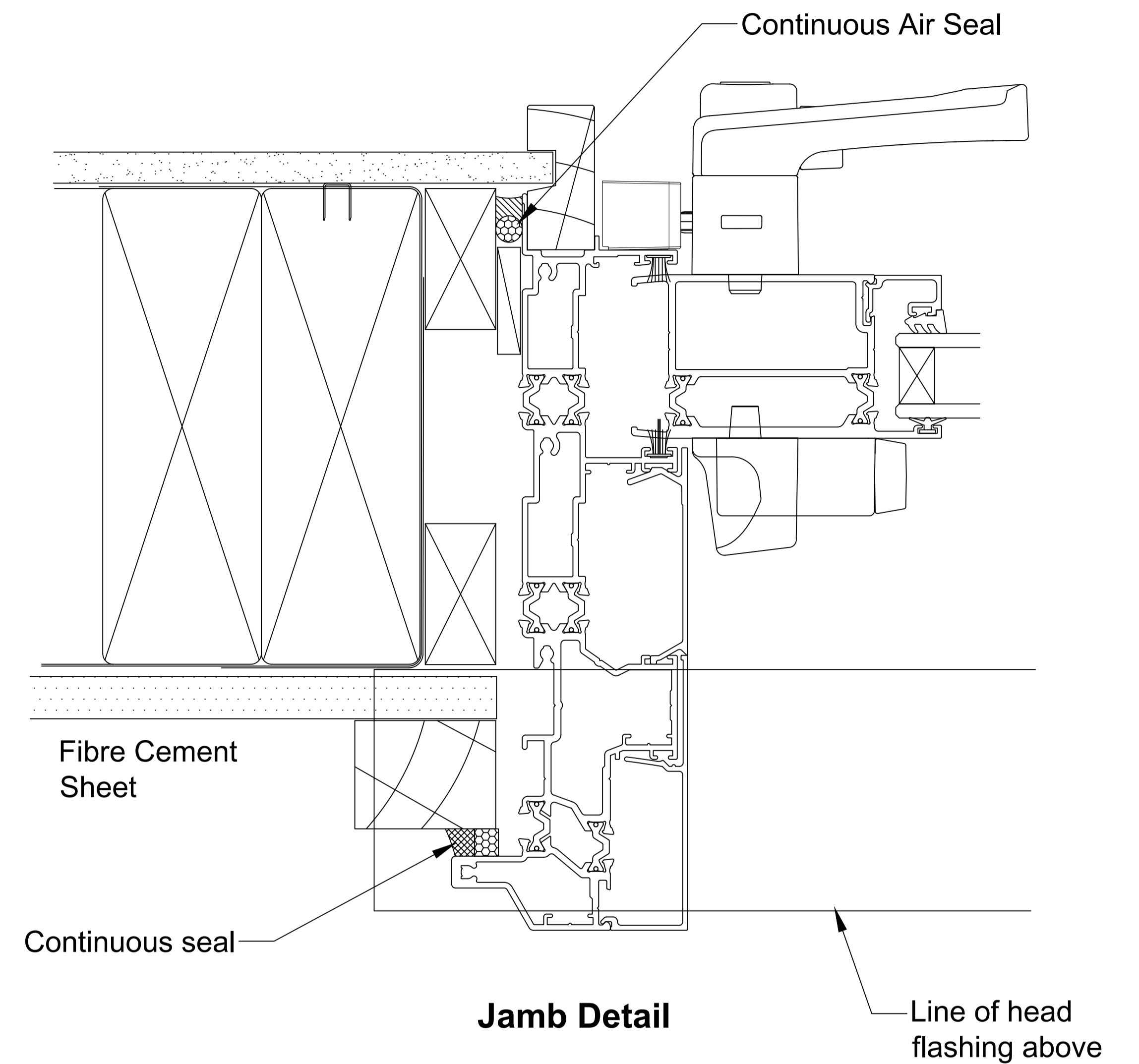
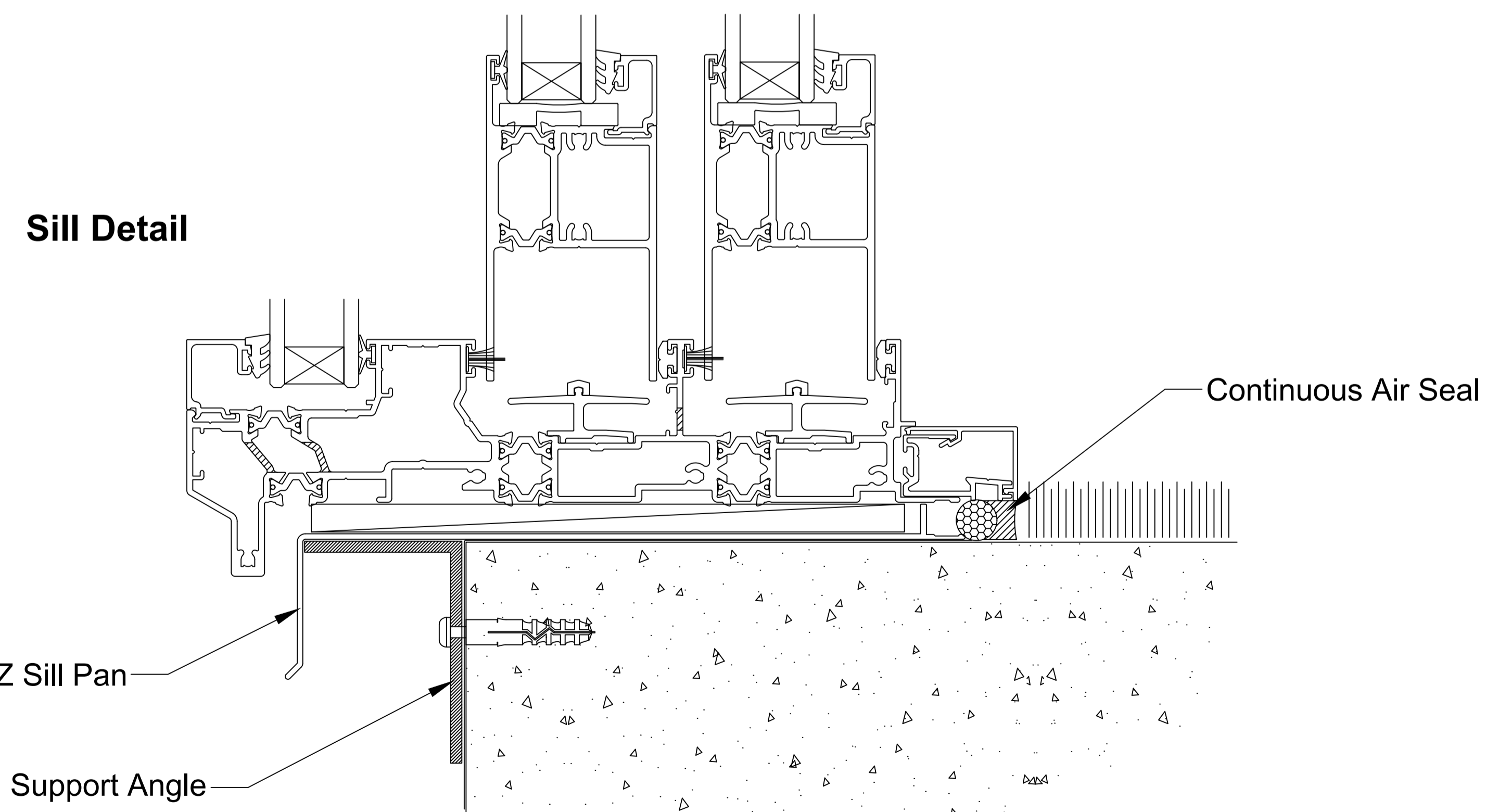
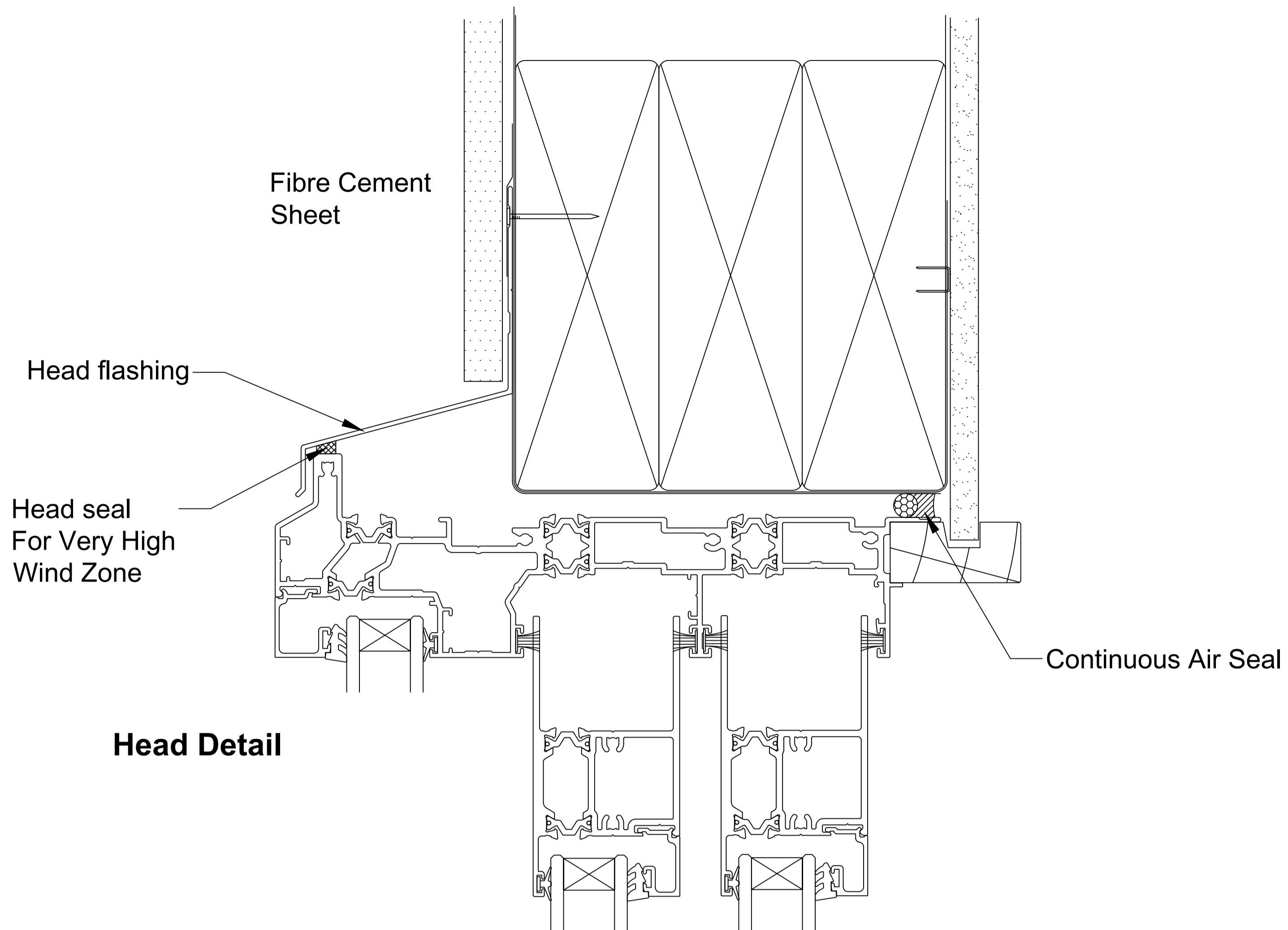


This document is intended as a guide only and is to be used in conjunction with The Wanz Guide to Window Installation as described in E2/AS1 Amendment 5 (see link below) <http://www.wanz.org.nz/download/WANZ%20Guide%20to%20E2%20AS1%20Amd%206%20V1.3%20Dec%202014.pdf>

**OMEGA WINDOWS AND DOORS
SLIDING DOOR
400 SERIES THERMAL**

FIBRE CEMENT SHEET

50.0
SCALE 1:1 @ A1



This document is intended as a guide only and is to be used in conjunction with The Wanz Guide to Window Installation as described in E2/AS1 Amendment 5 (see link below) <http://www.wanz.org.nz/download/WANZ%20Guide%20to%20E2%20AS1%20Amd%206%20V1.3%20Dec%202014.pdf>

OMEGA WINDOWS AND DOORS
STACKING DOOR
400 SERIES THERMAL

FIBRE CEMENT SHEET

50.0
 SCALE 1:1 @ A1

