

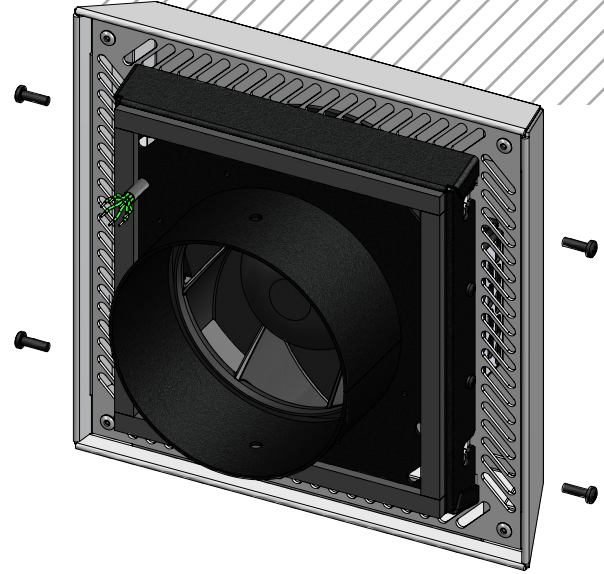
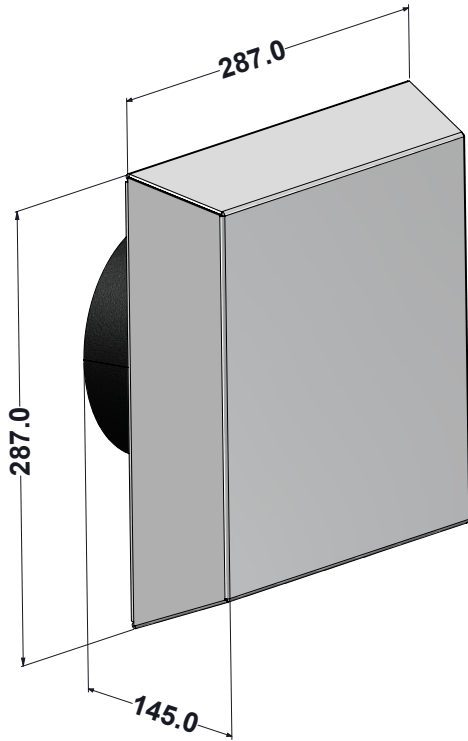
MAGNUM ARCHITECTURAL EXTERNAL GRILLE



**CUSTOM
POWDERCOAT
OPTIONS
AVAILABLE**

**5 YEAR
WARRANTY**

**HIGH
PERFORMANCE**
(582m³/hr 161.7L/s)



MAGNUM

- Available in powder coated aluminium and stainless steel. Custom powdercoating available on request.
- Backward curve centrifugal fan in VEF2S, VEF2W and VEF2B.
- Performance: 582m³/hr 161.7L/s, Wattage 60W, Noise 64/66dB.
- Supplied with terminal box and motor capacitor.

CODE	DESCRIPTION	DUCT SIZE (Ø)	OVERALL SIZE
VEF2S	STAINLESS STEEL FAN AND GRILLE	150mm	287 x 287x145mm
VEF2W	WHITE POWDER COATED FAN AND GRILLE	150mm	287 x 287x145mm
VEF2B	BLACK POWDER COATED FAN AND GRILLE	150mm	287 x 287x145mm
VEG2S	STAINLESS STEEL GRILLE ONLY	150mm	287 x 287x145mm
VEG2W	WHITE POWDER COATED GRILLE ONLY	150mm	287 x 287x145mm
VEG2B	BLACK POWDER COATED GRILLE ONLY	150mm	287 x 287x145mm