

PS75

PR75

1UL/SH

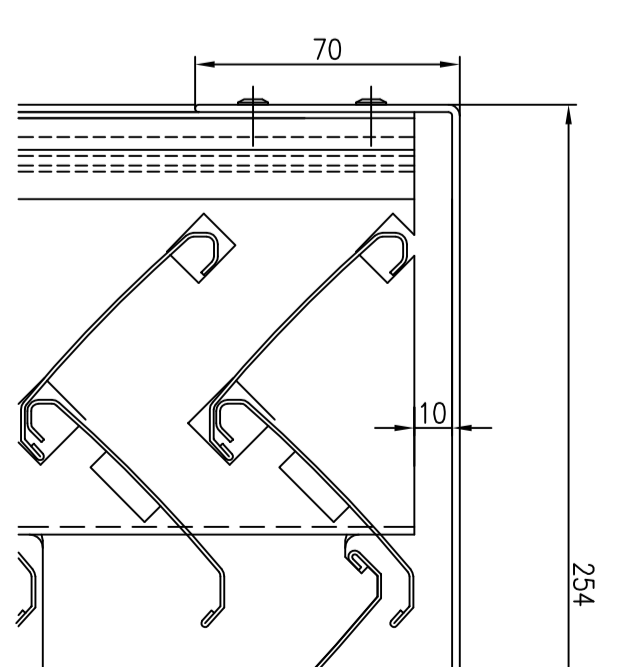
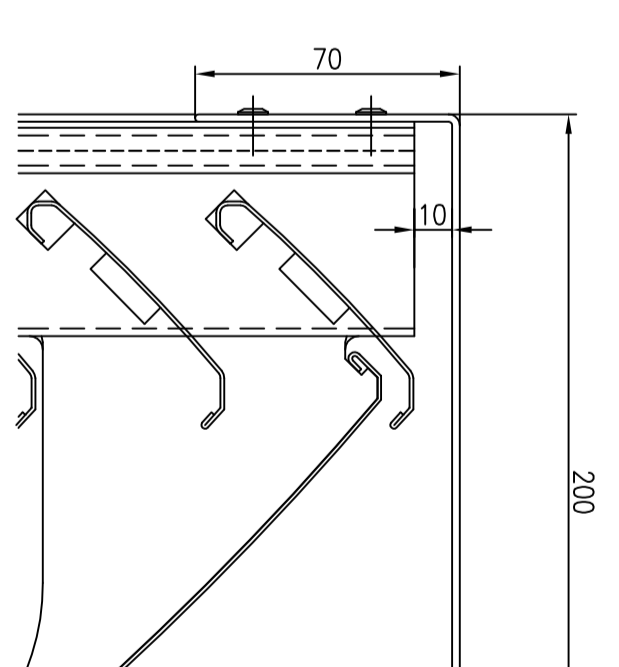
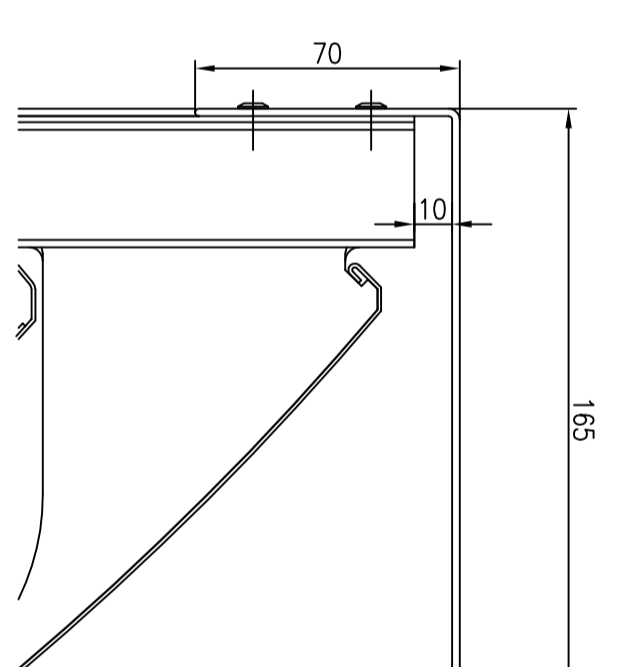
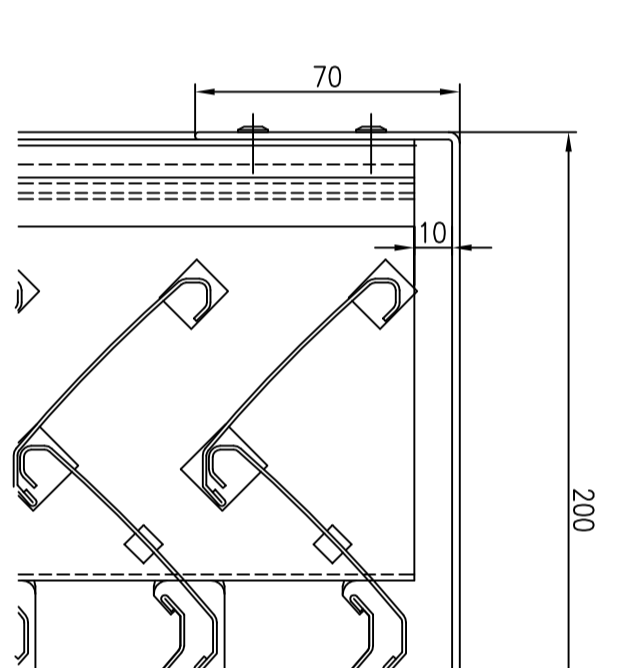
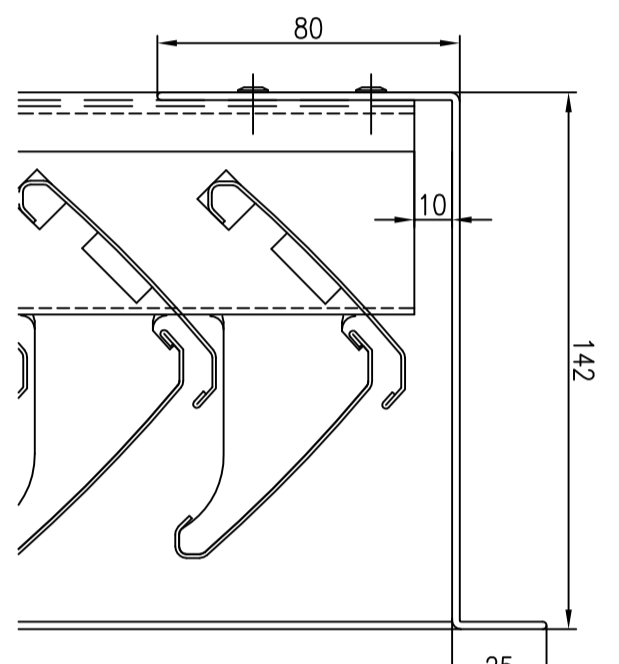
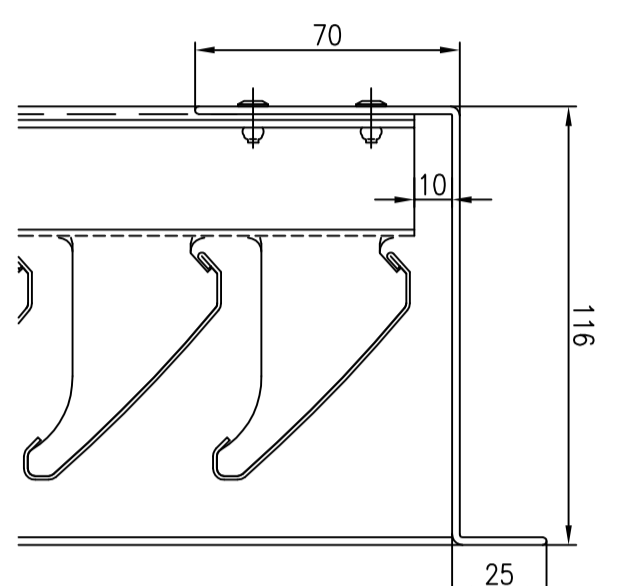
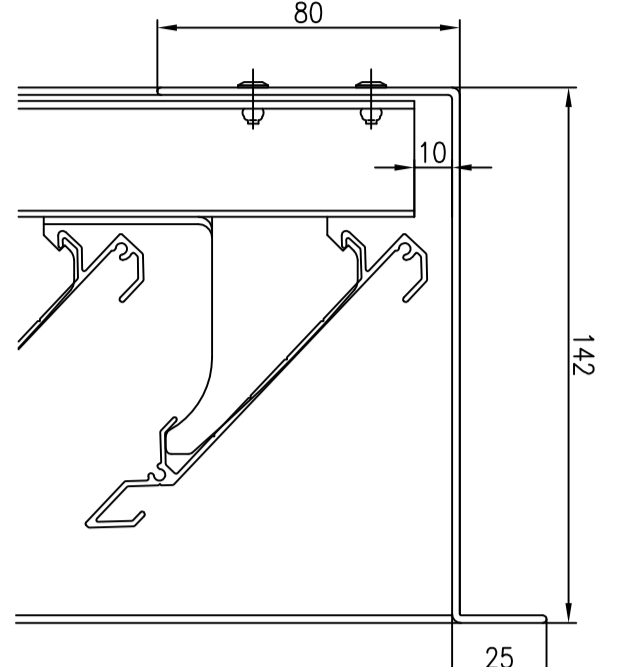
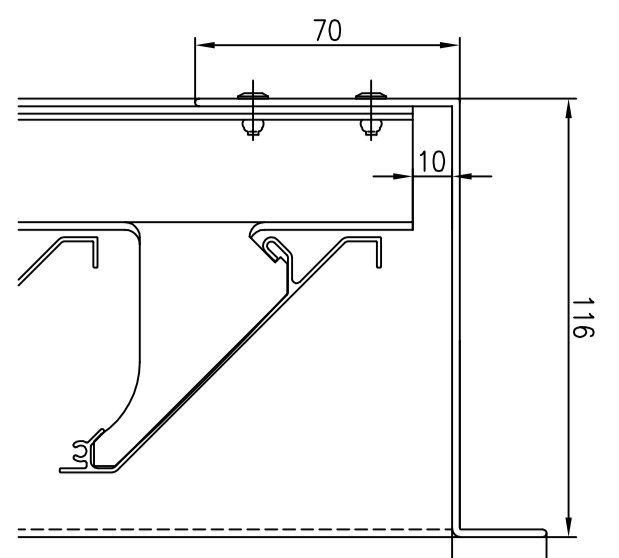
2UL/SH

3UL/SH

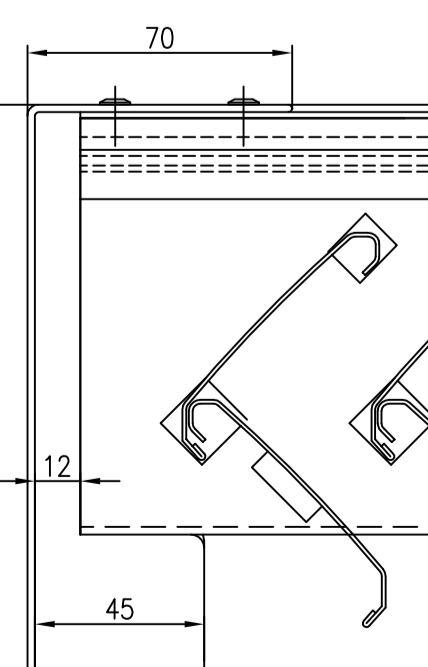
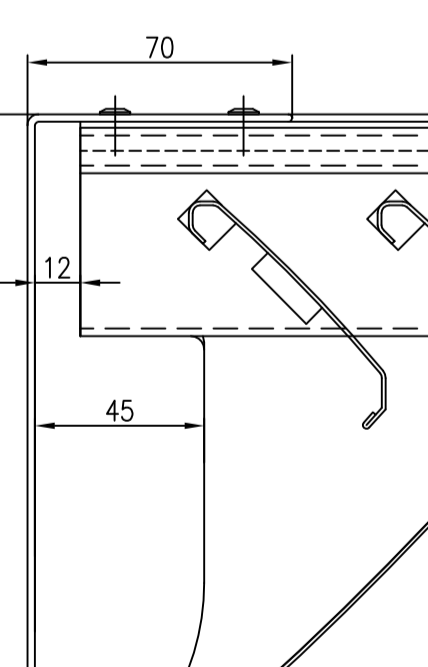
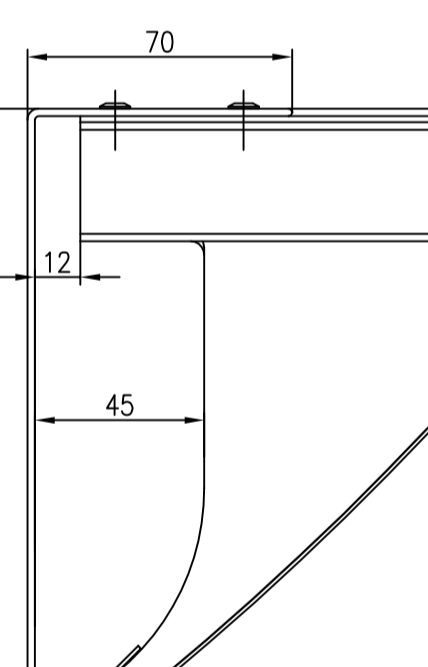
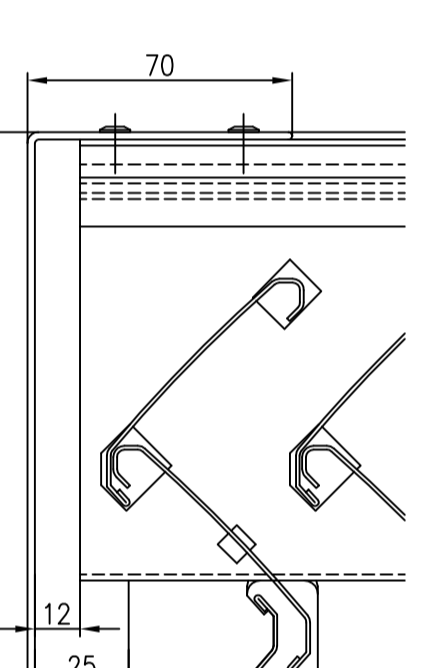
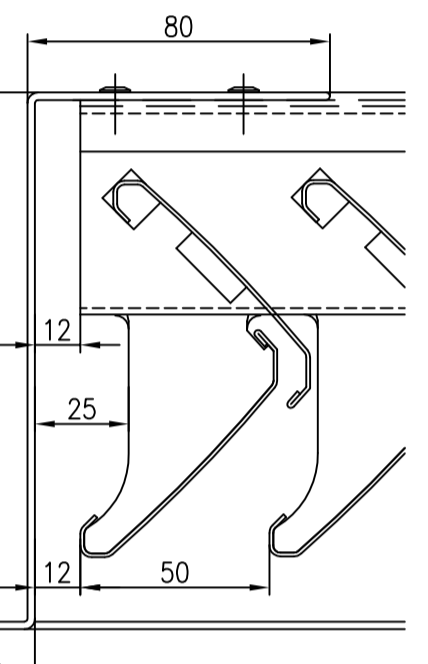
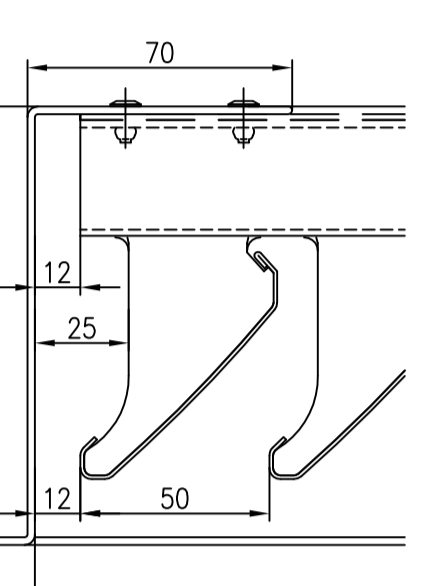
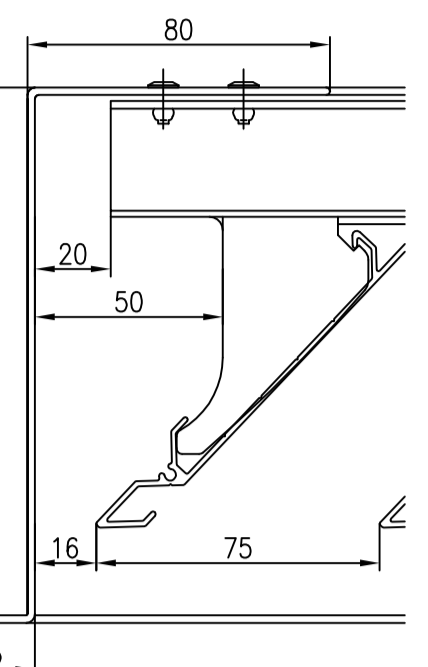
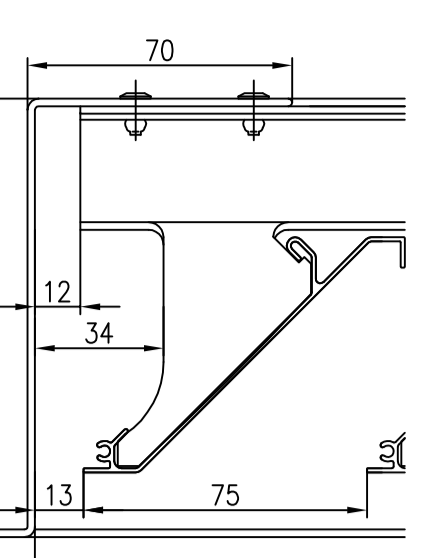
1UL/DH

2UL/DH

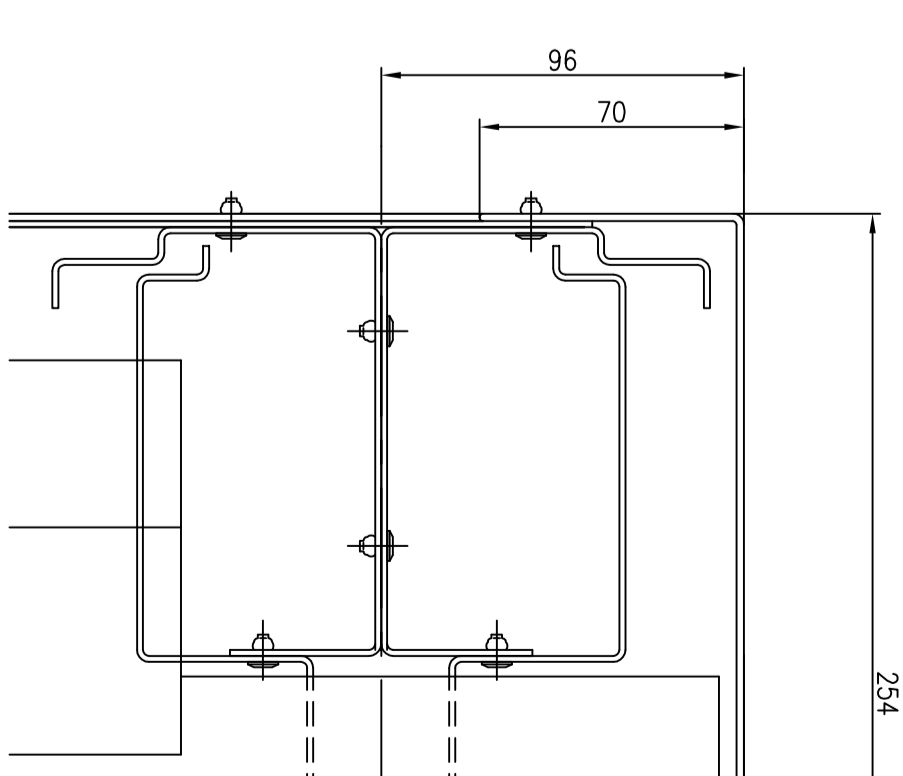
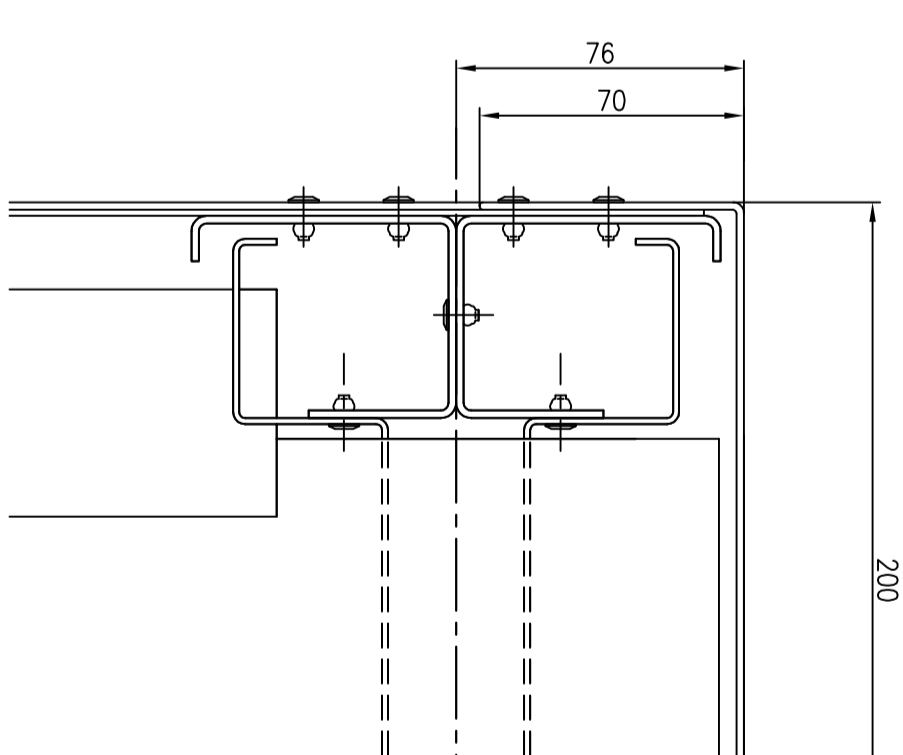
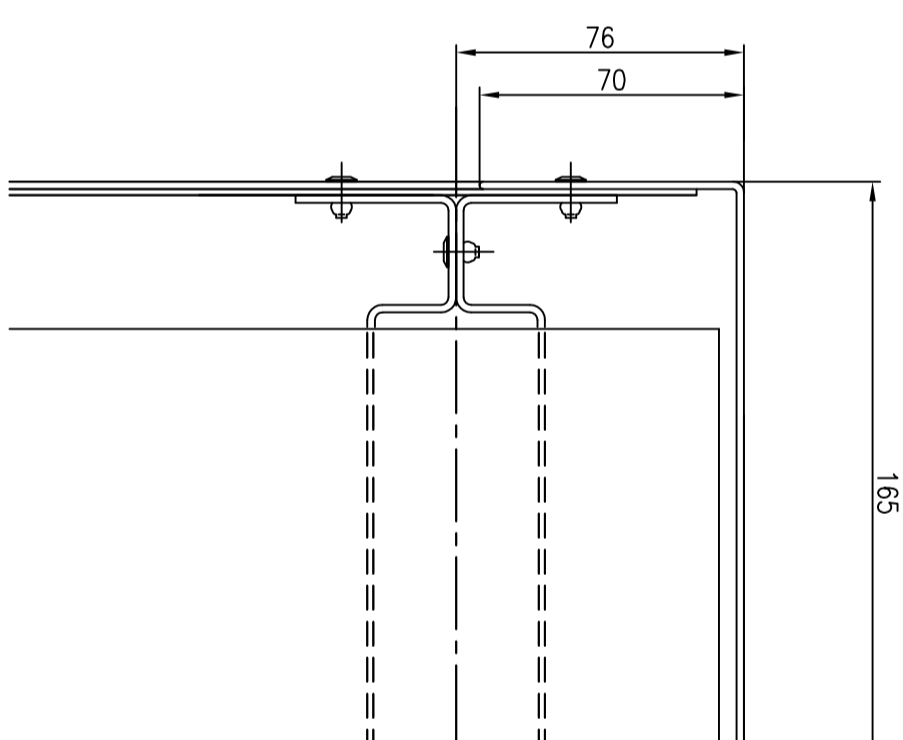
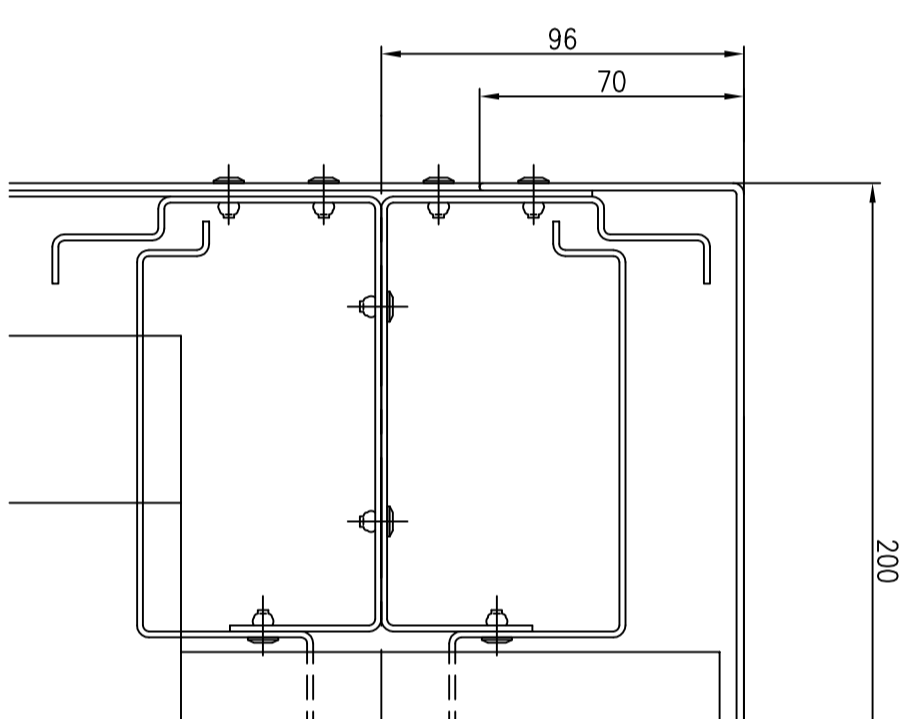
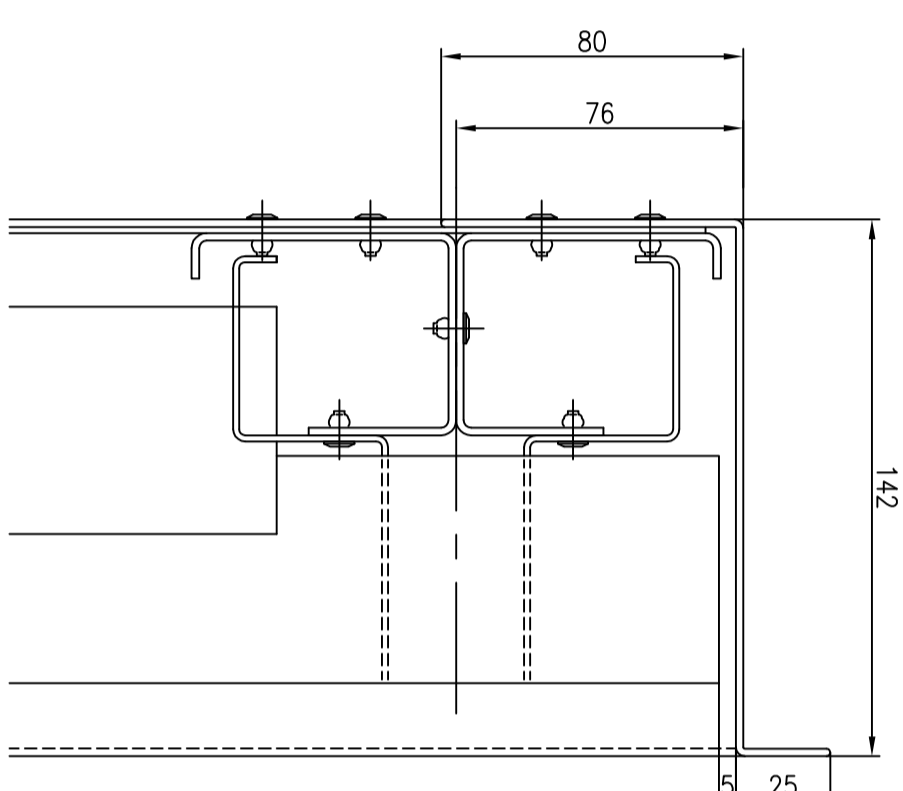
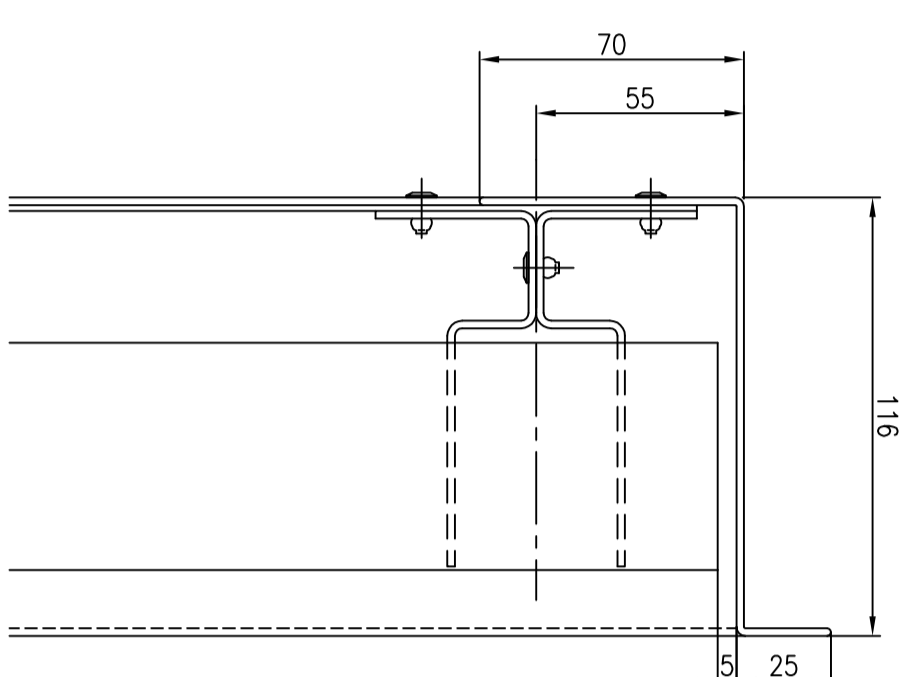
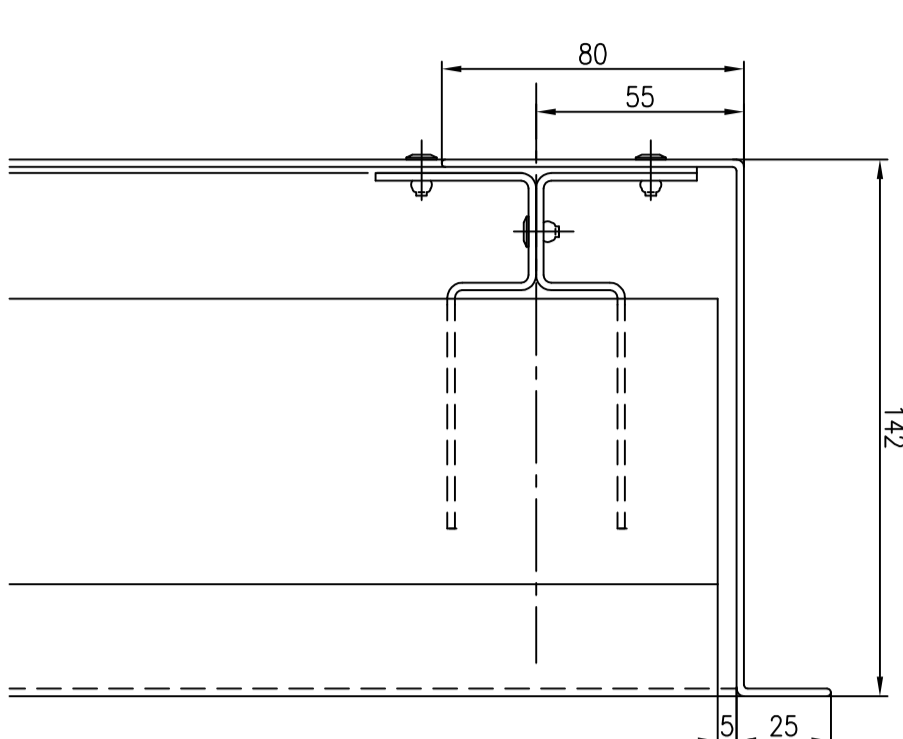
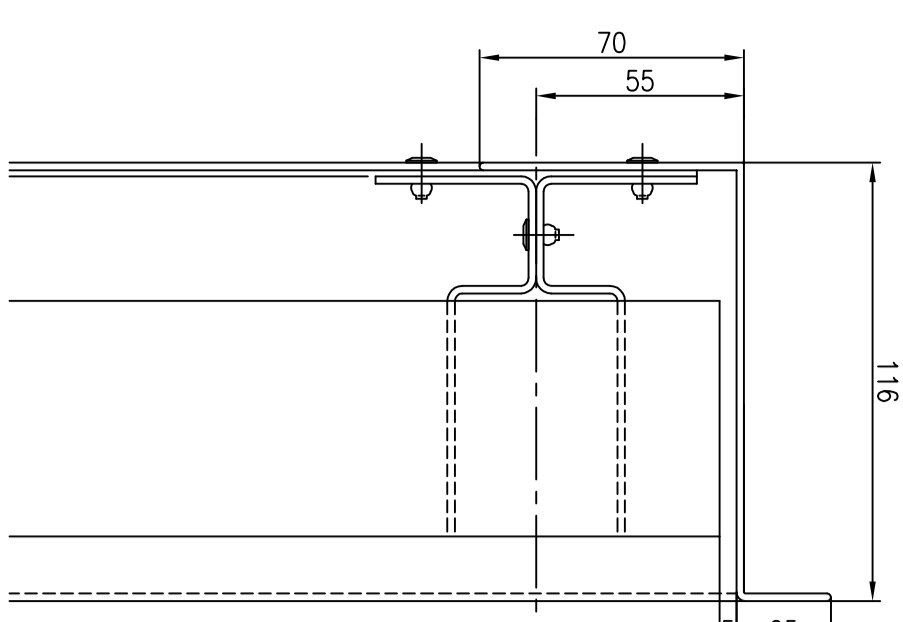
3UL/DH



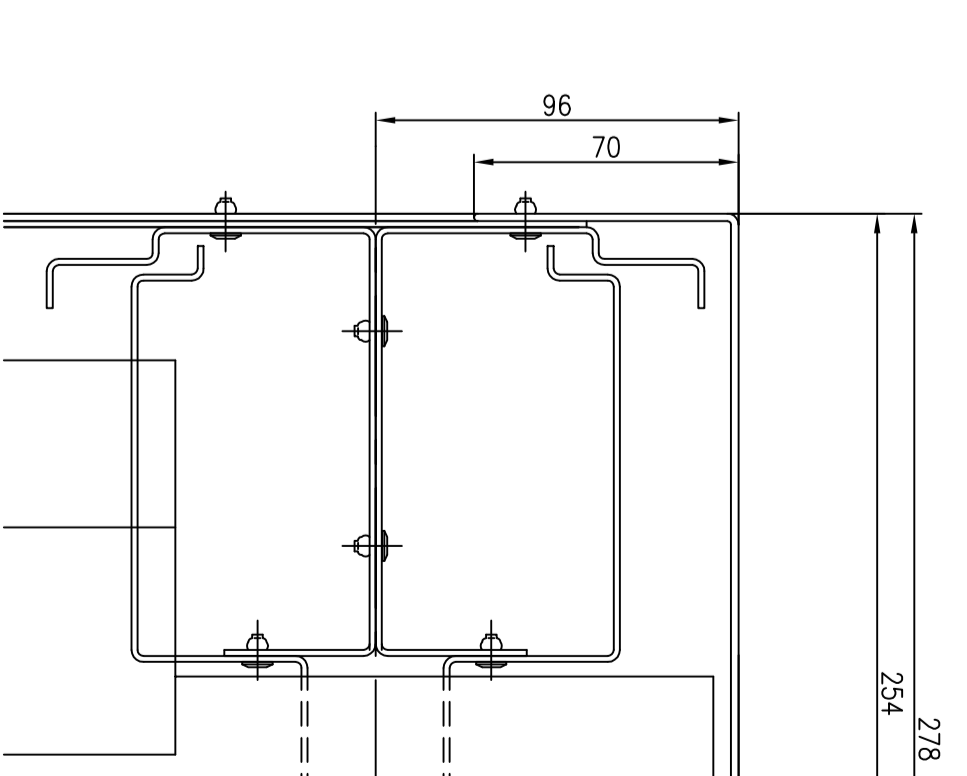
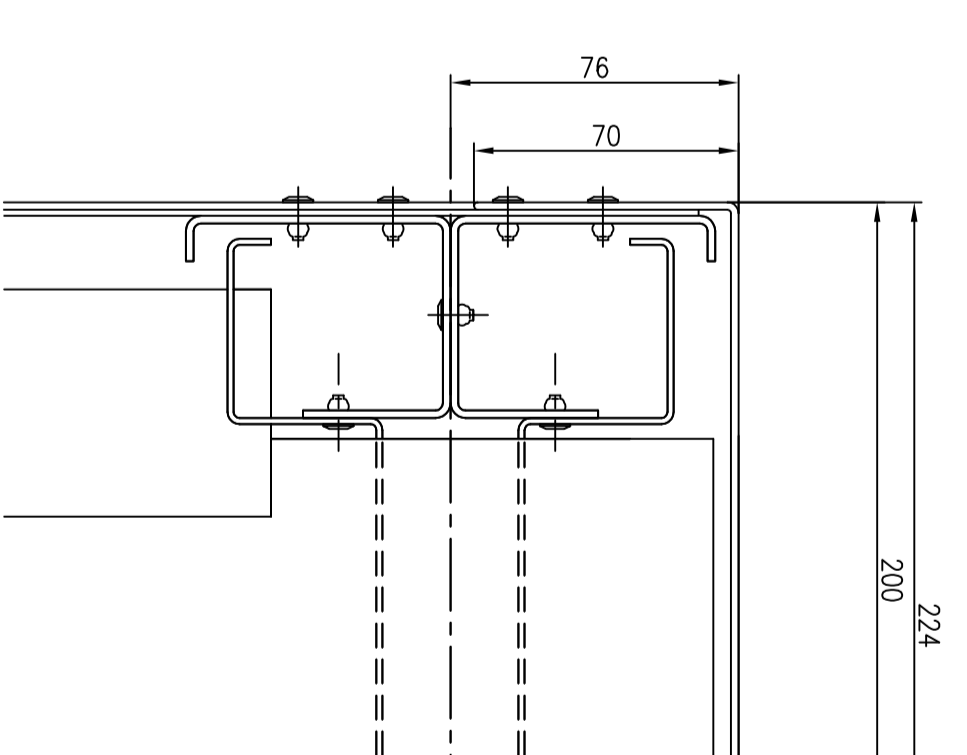
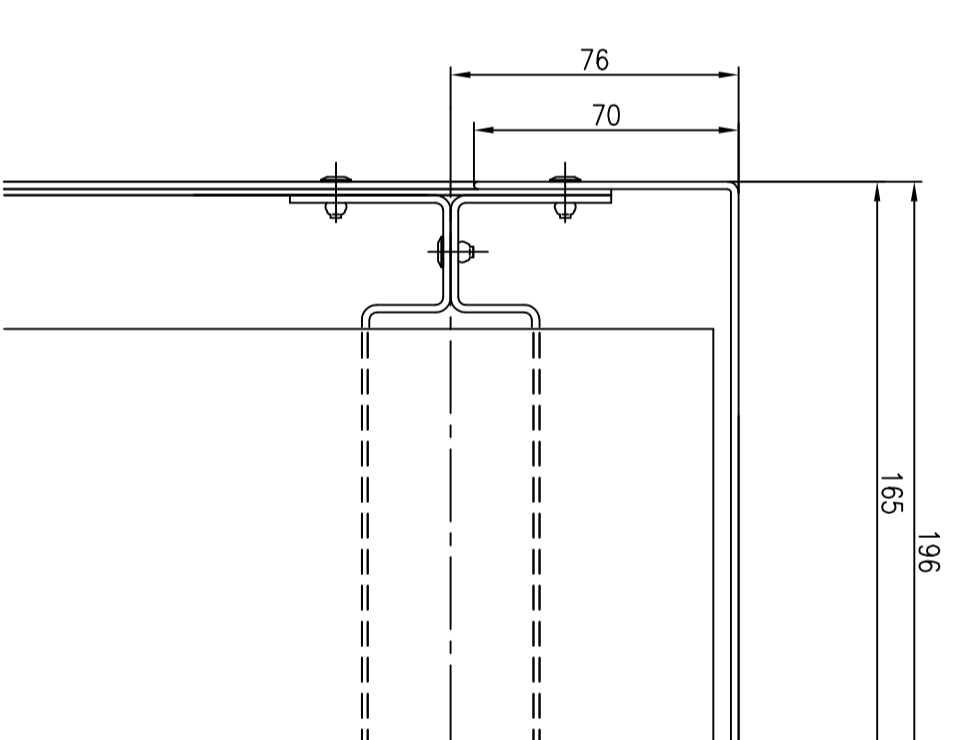
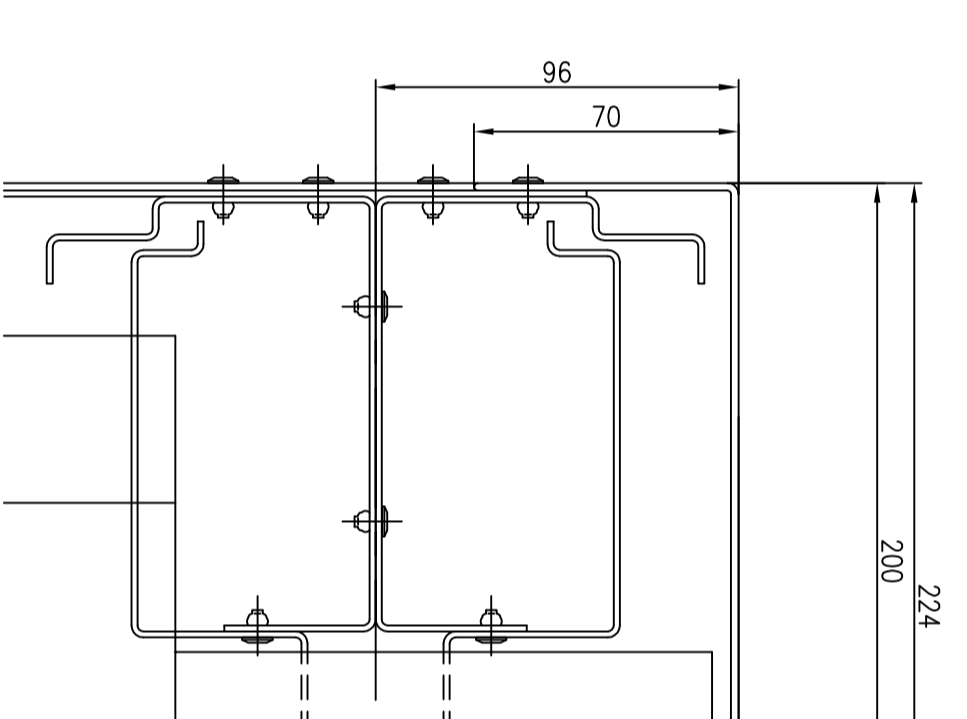
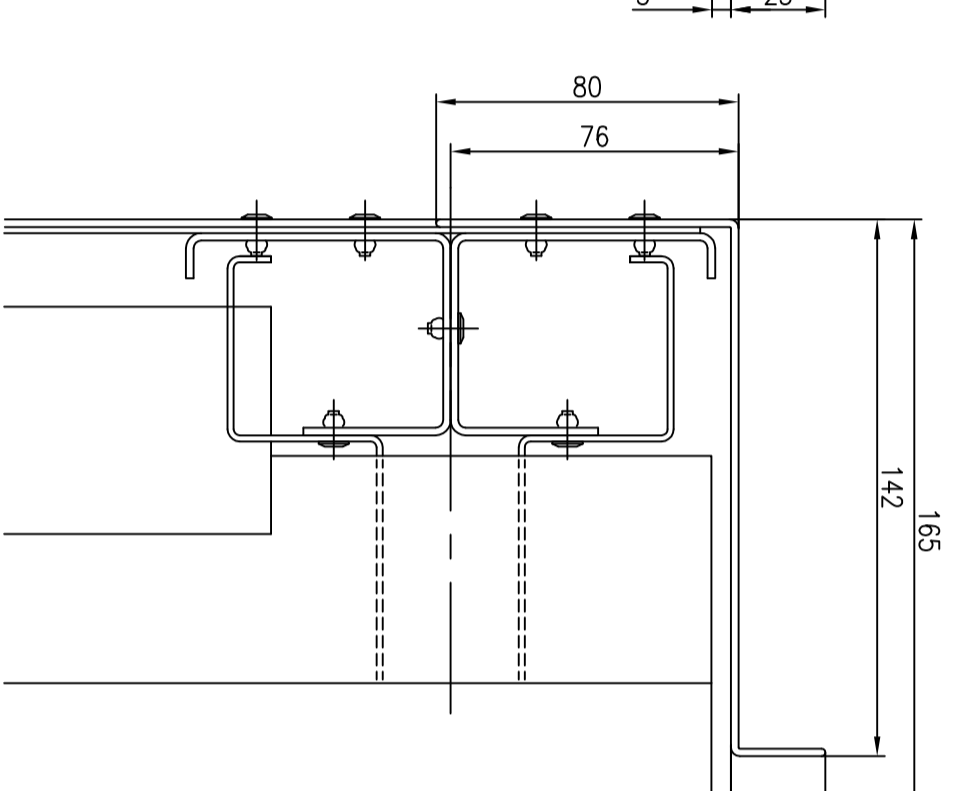
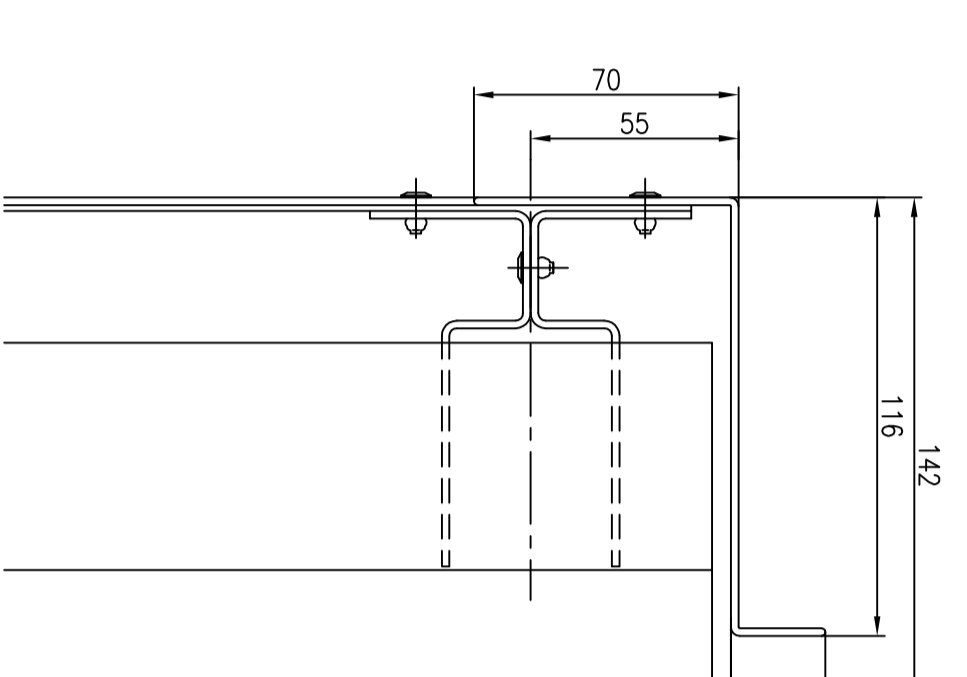
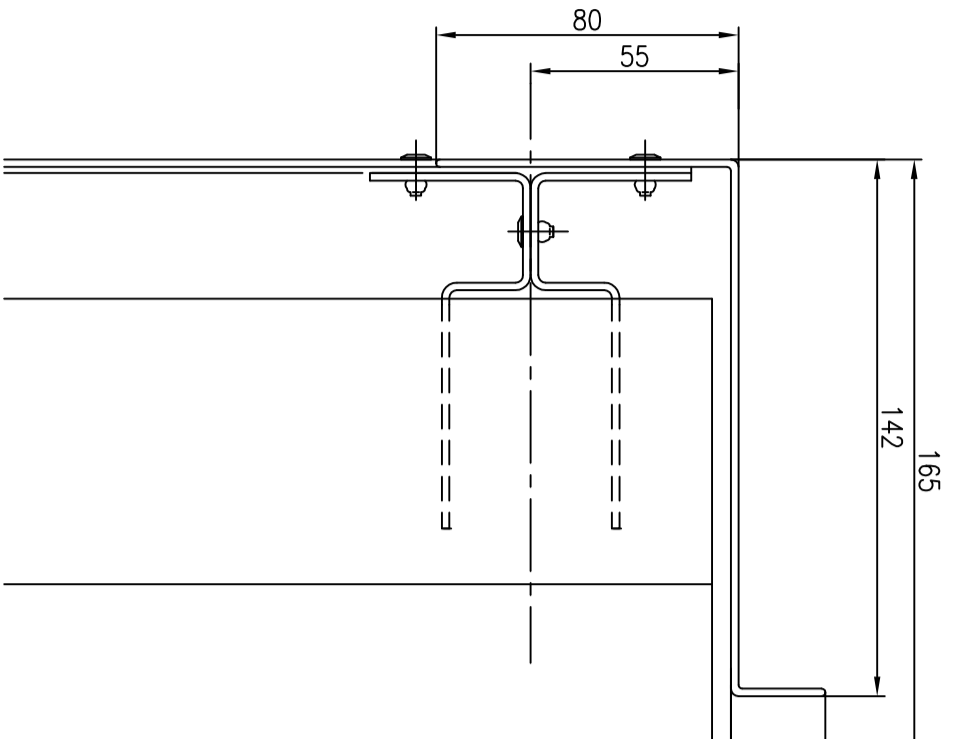
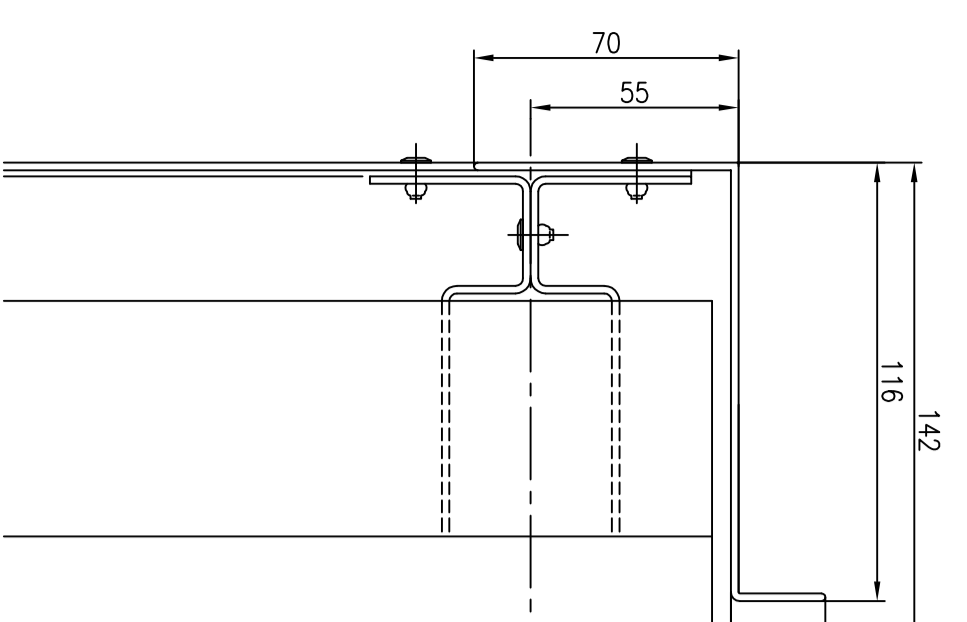
FLANGED HEAD & JAMB



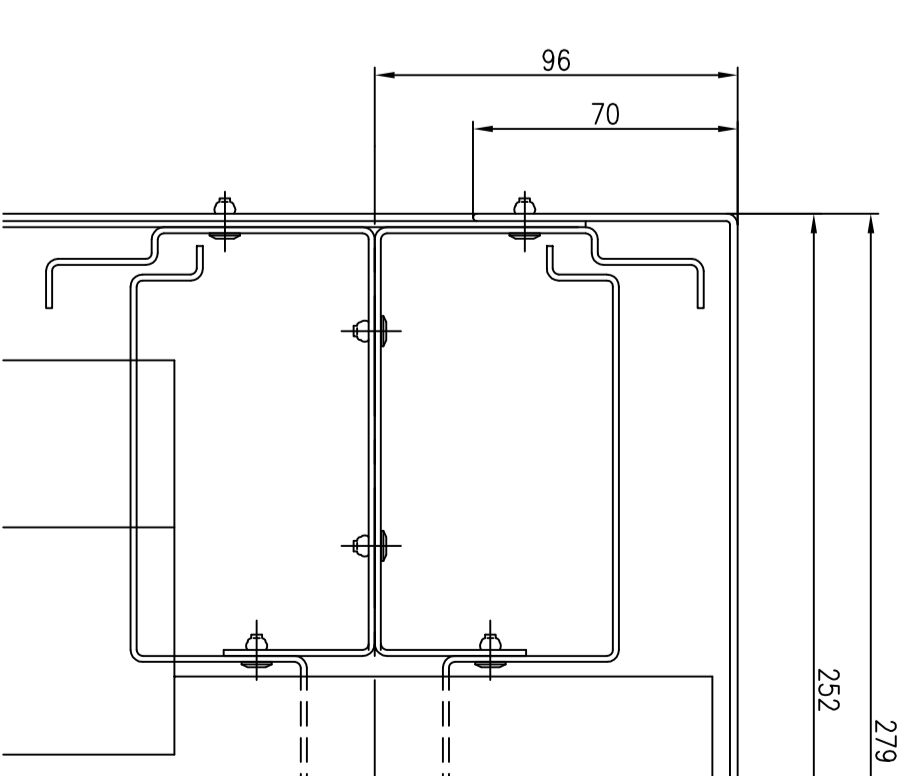
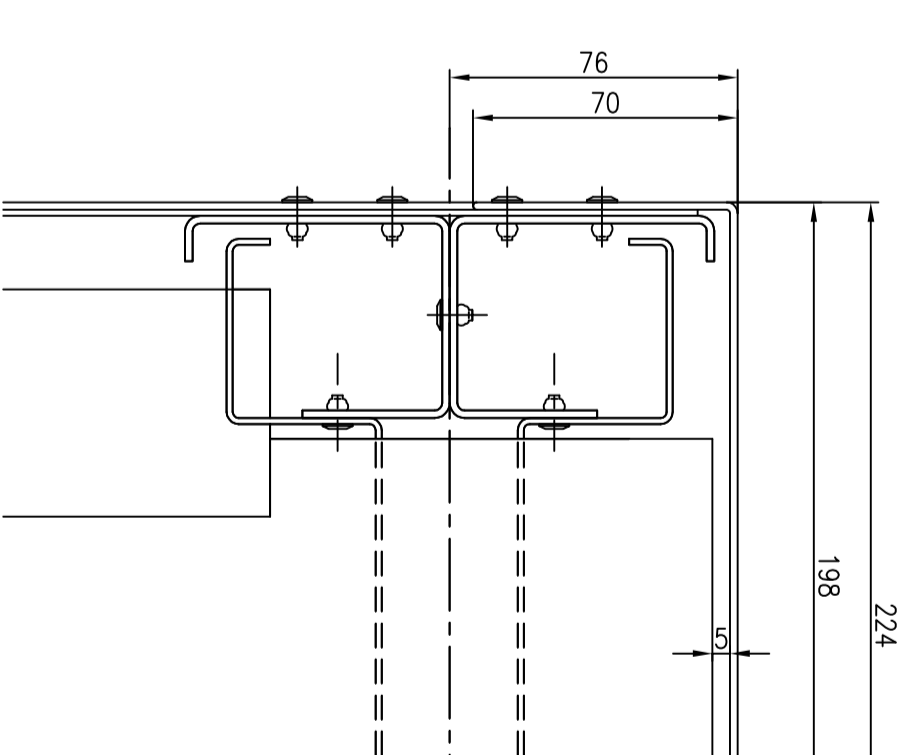
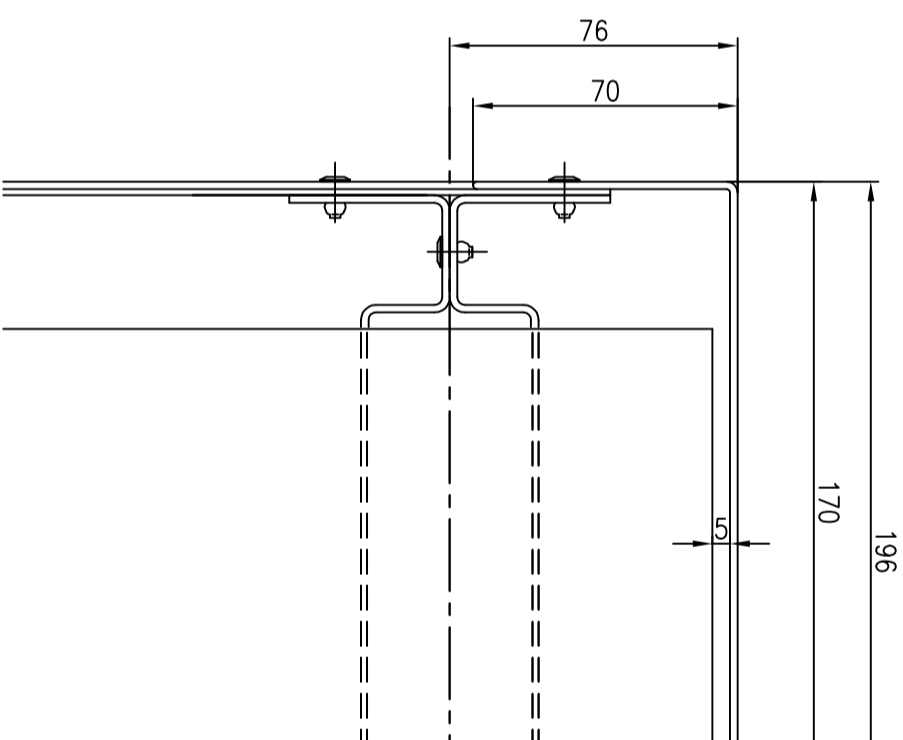
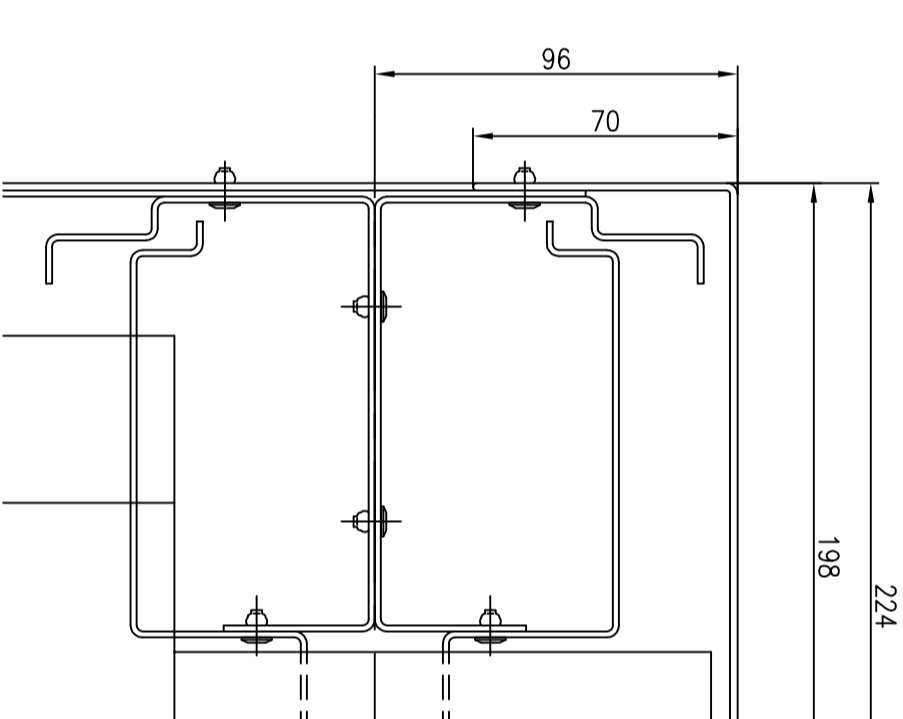
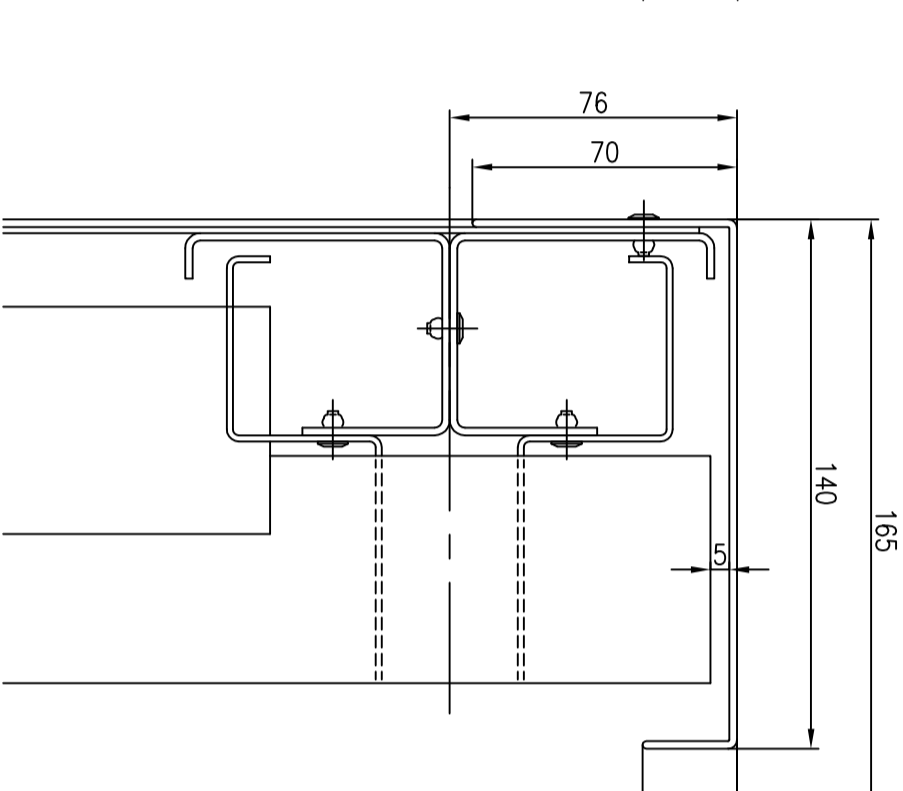
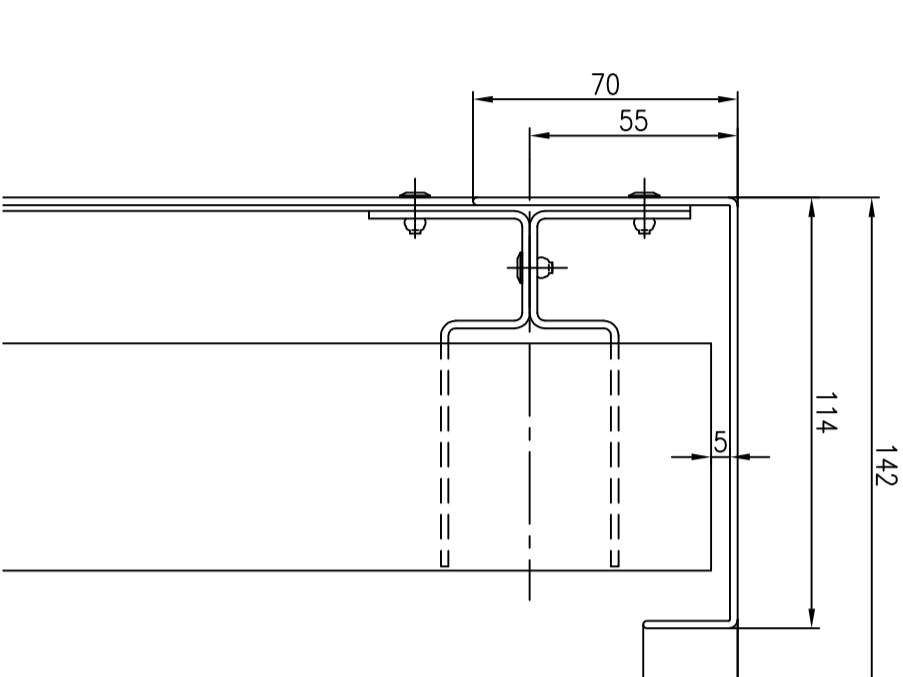
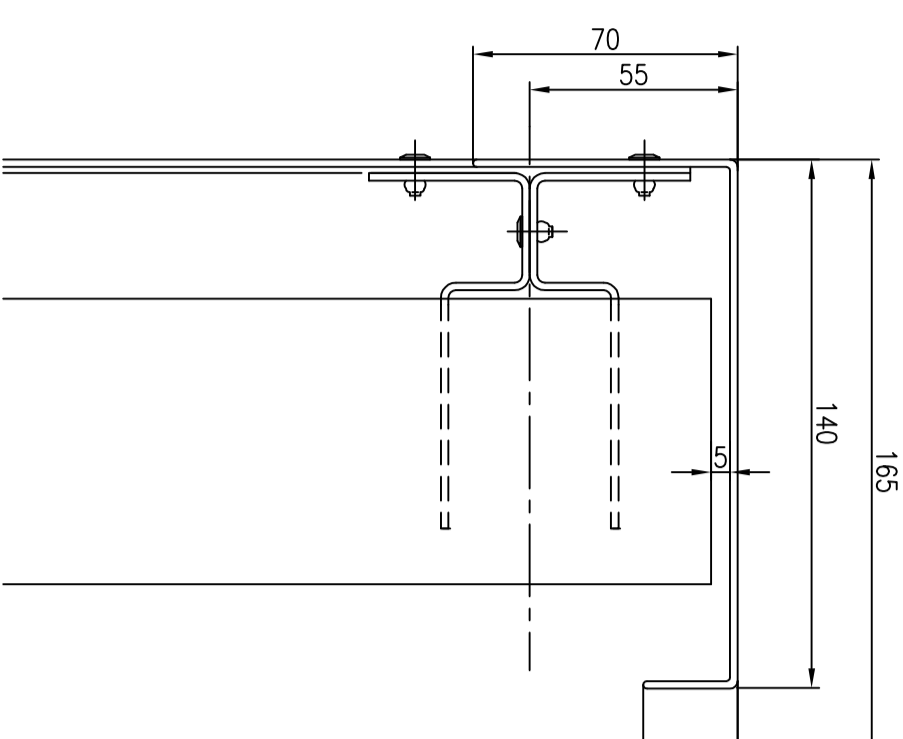
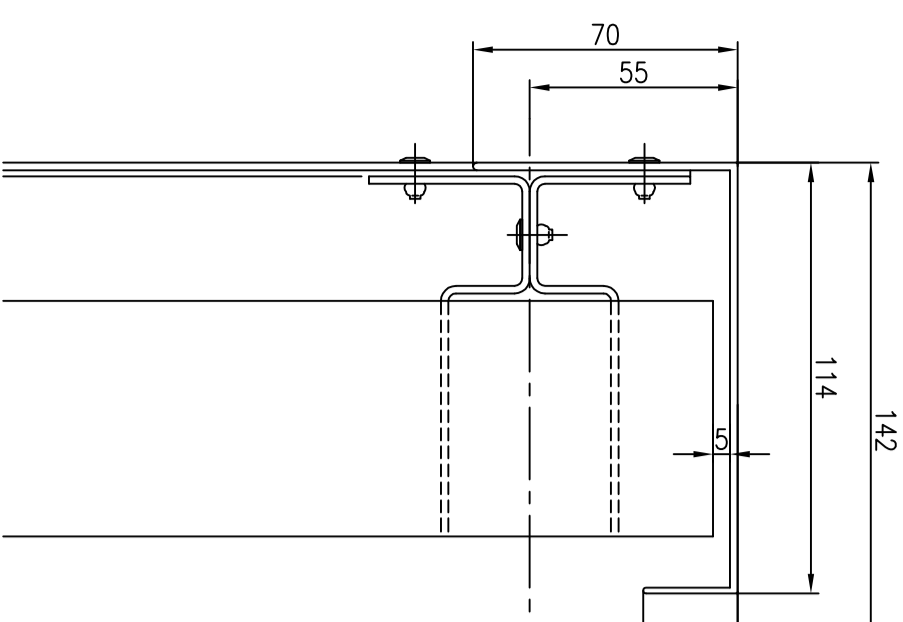
FLUSH SILL & FLANGE JAMB



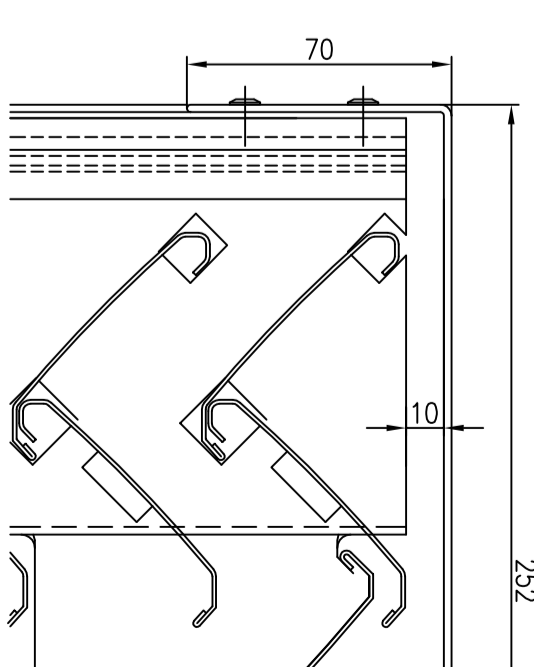
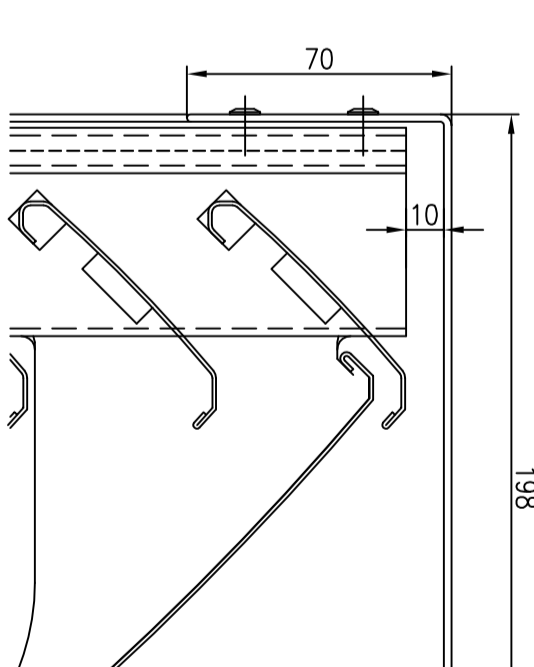
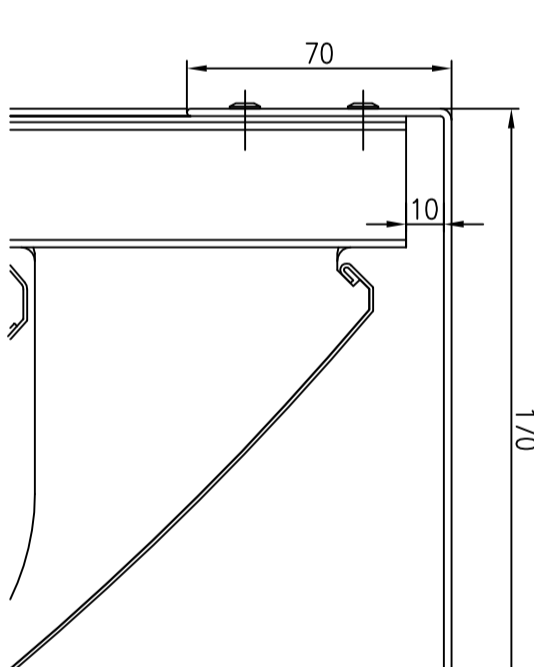
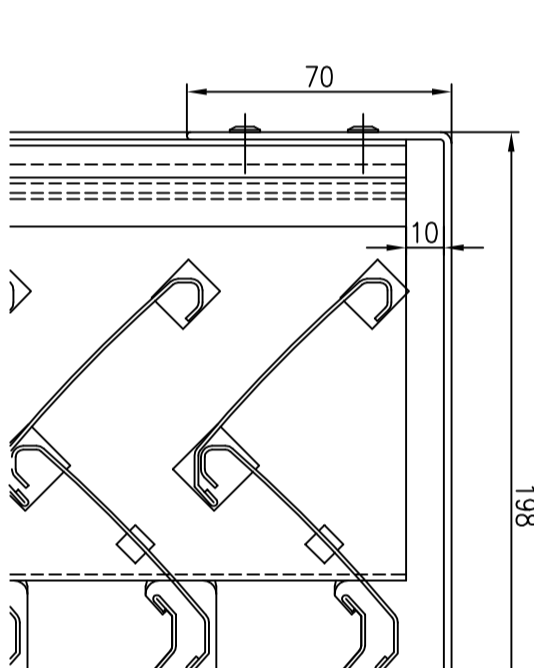
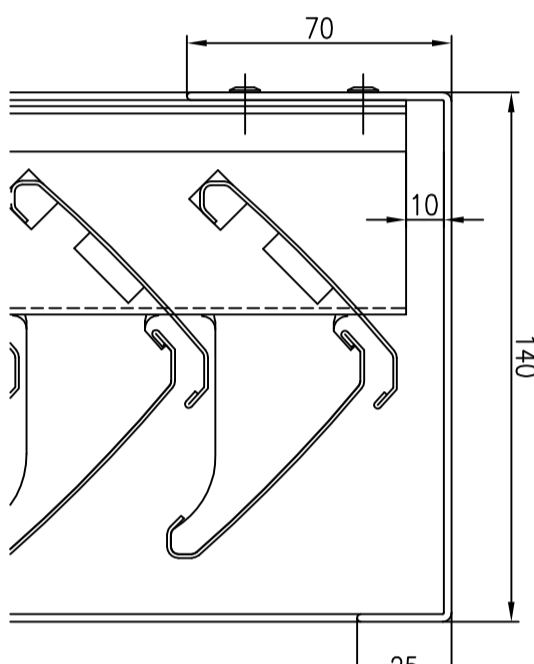
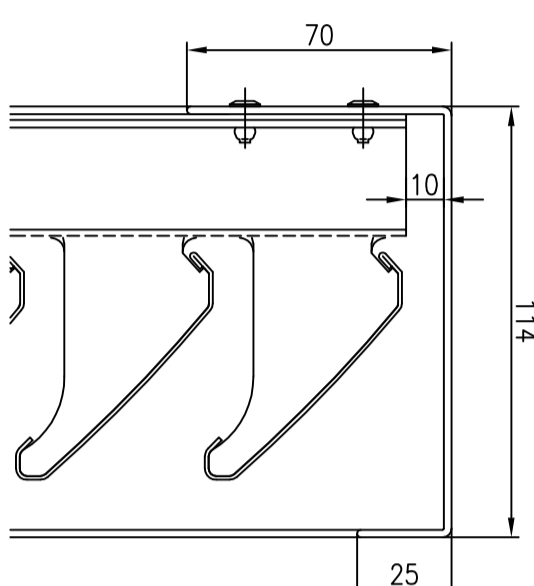
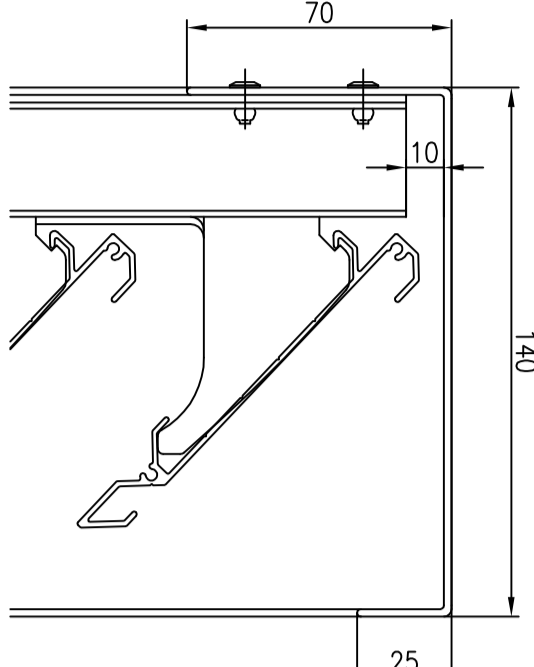
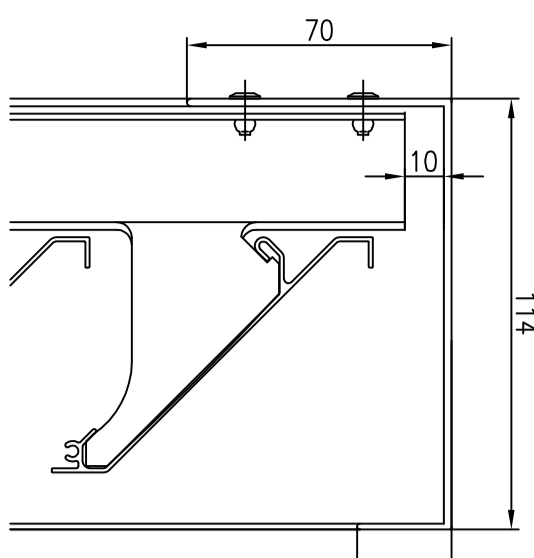
FLANGED JAMB WITH FLUSH SILL



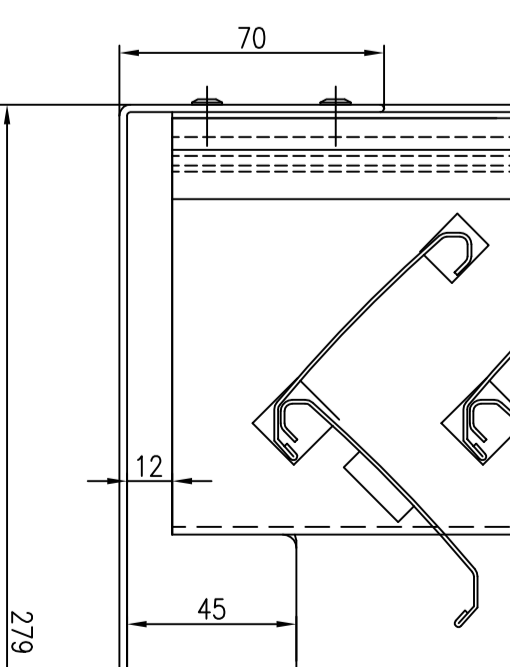
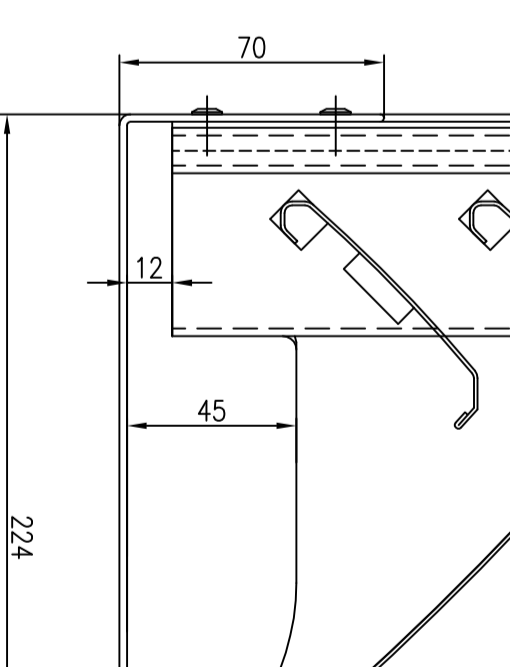
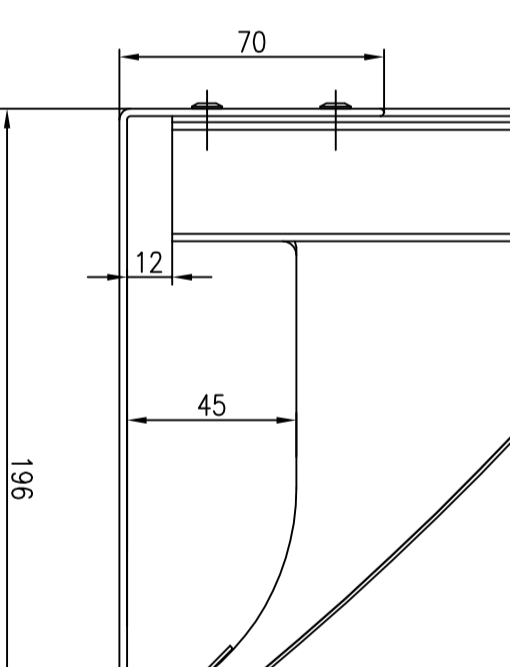
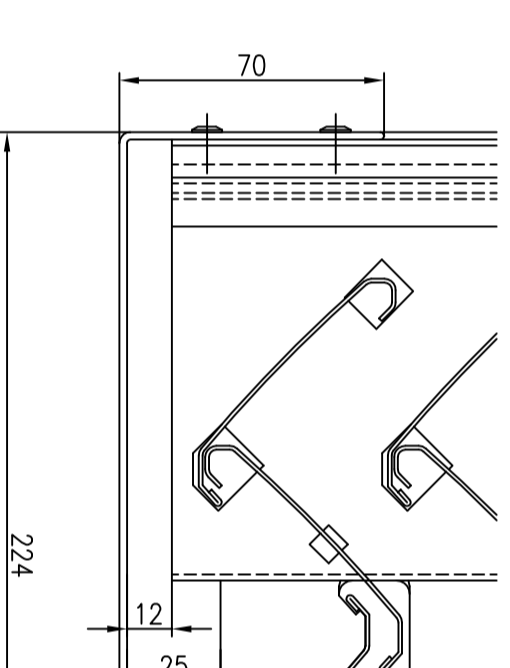
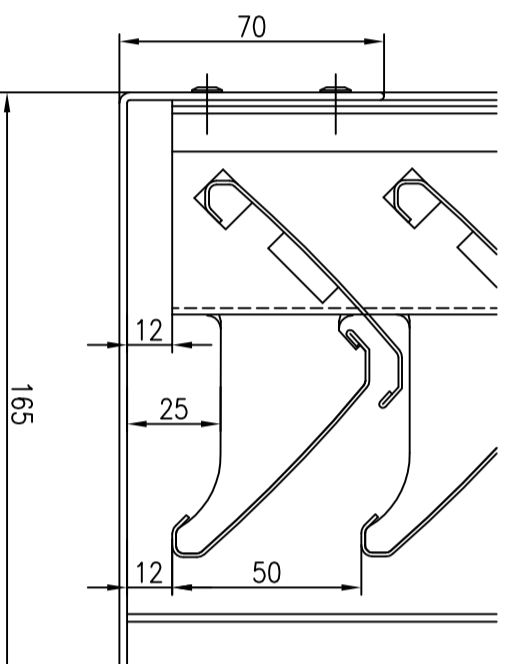
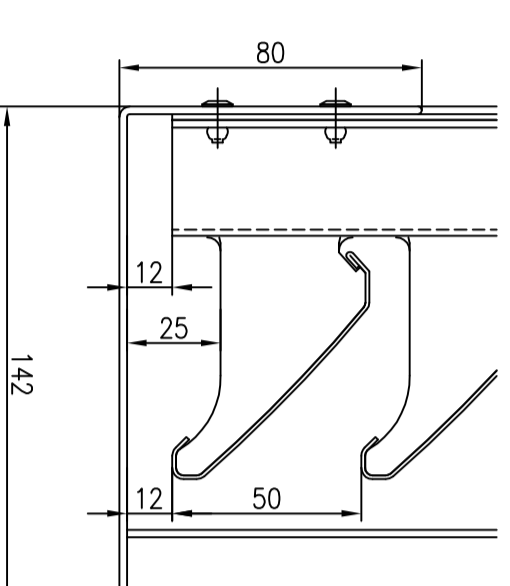
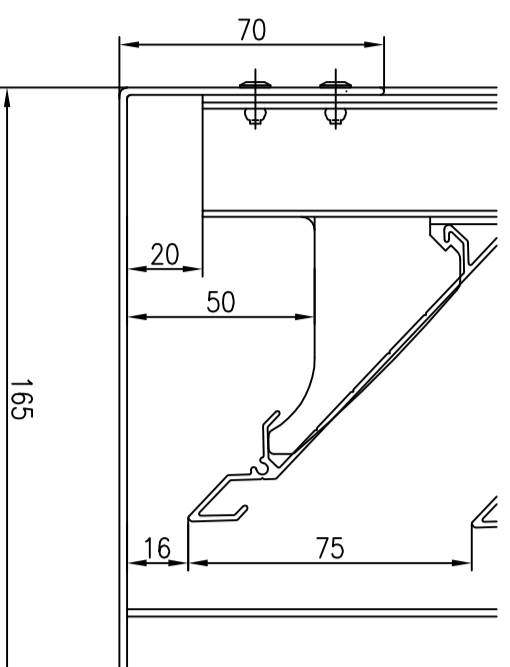
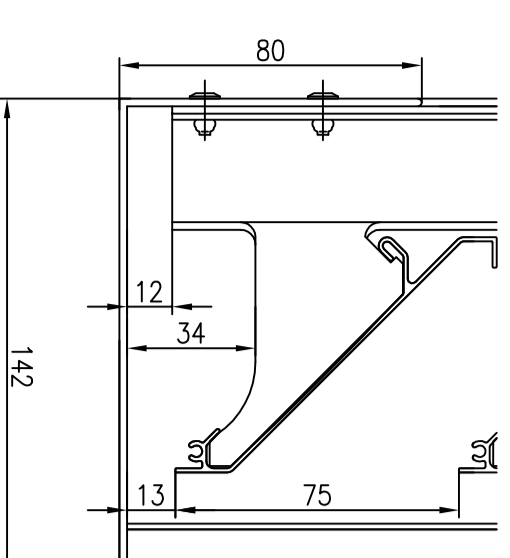
FLANGED JAMB WITH DRAIN-ABLE SILL



CHANNEL JAMB WITH OVERHUNG SILL



CHANNEL HEAD & JAMB



OVERHUNG SILL & CHANNEL JAMB

COLT UNIVERSAL LOUVRE ASSEMBLY

SCALE A0 = 1:2
SHOES NOT SHOWN FOR CLARITY