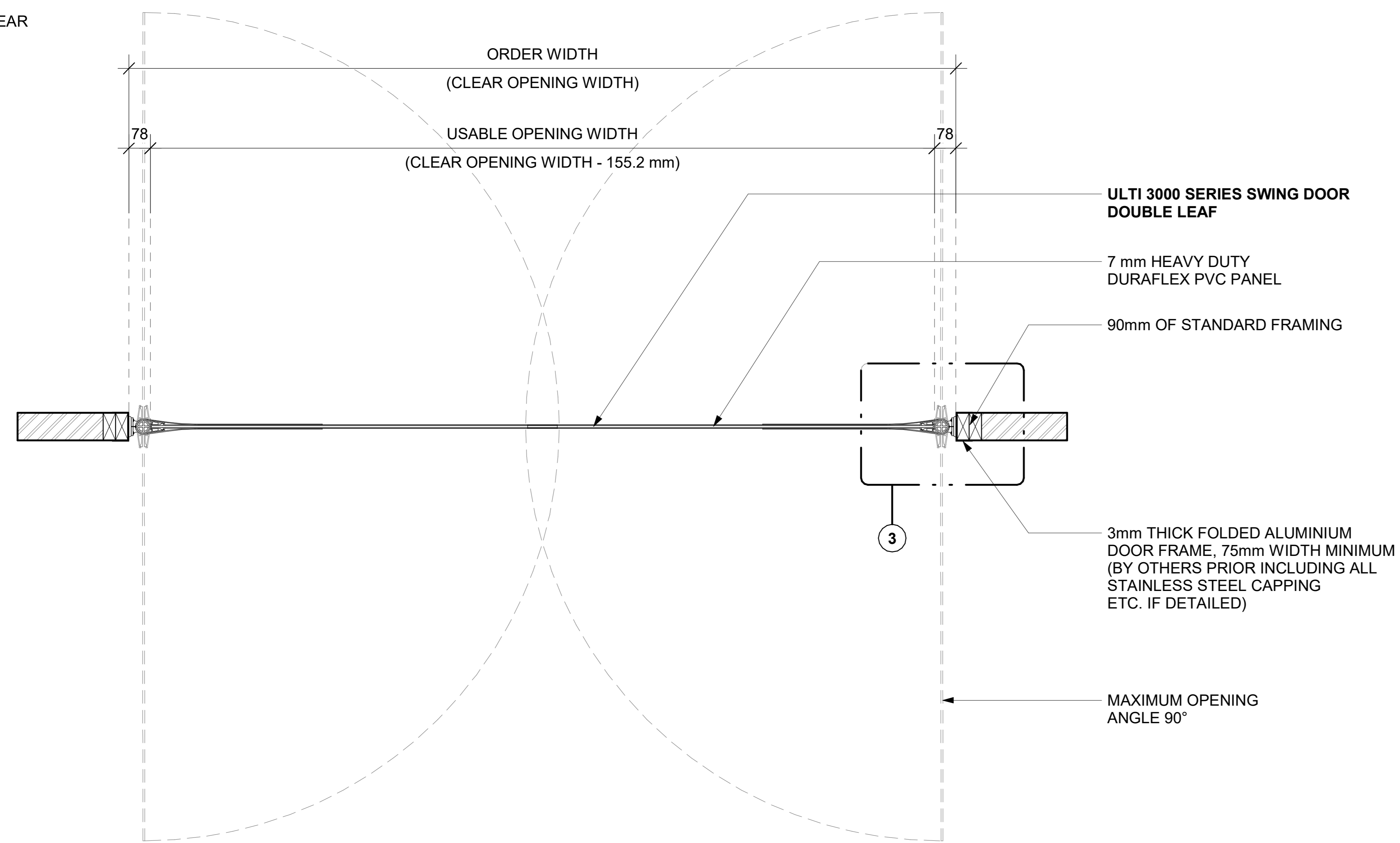
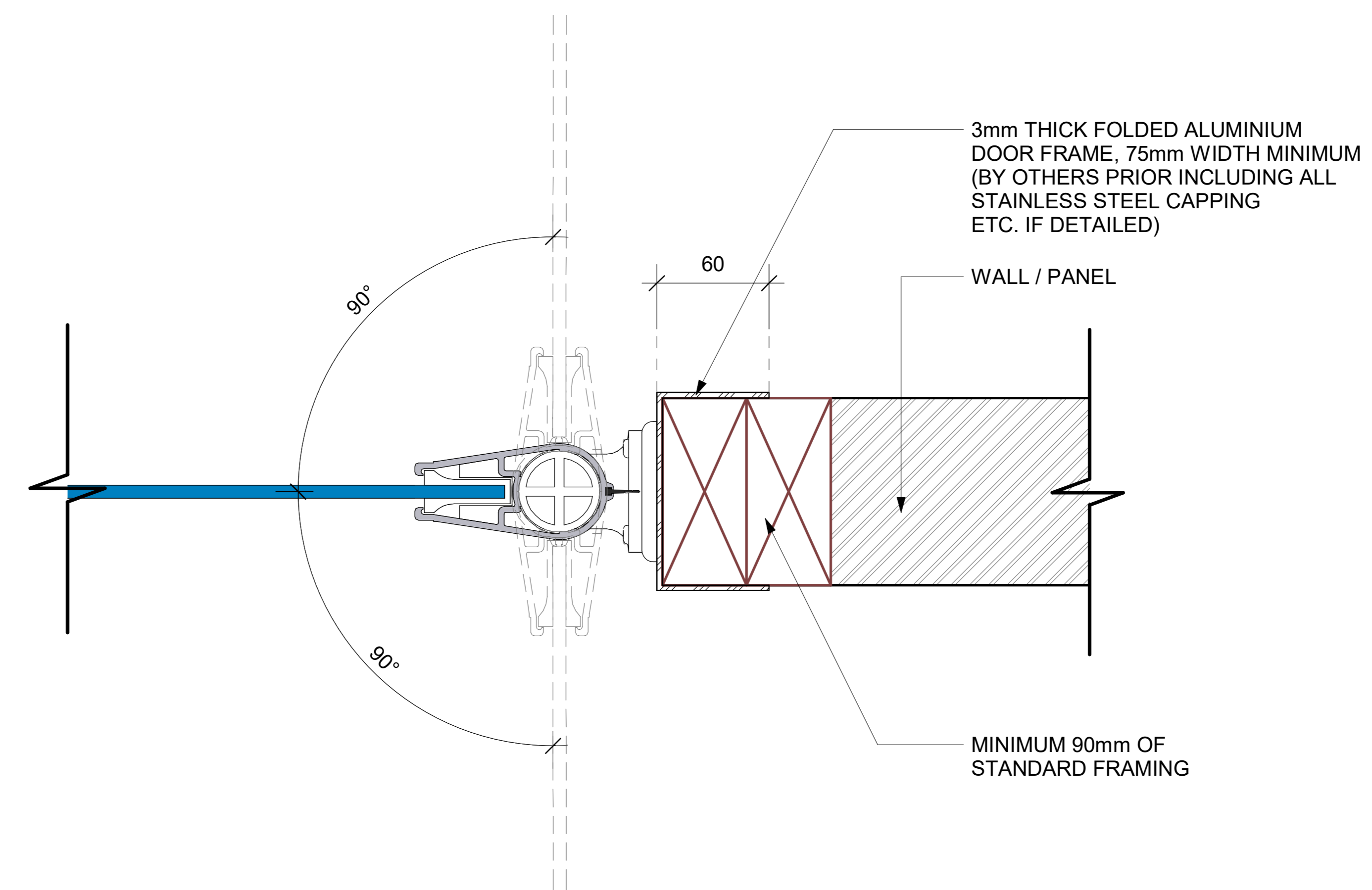


NOTE:
ORDER DOORS BY CLEAR
OPENING DIMENSION
REQUIRED



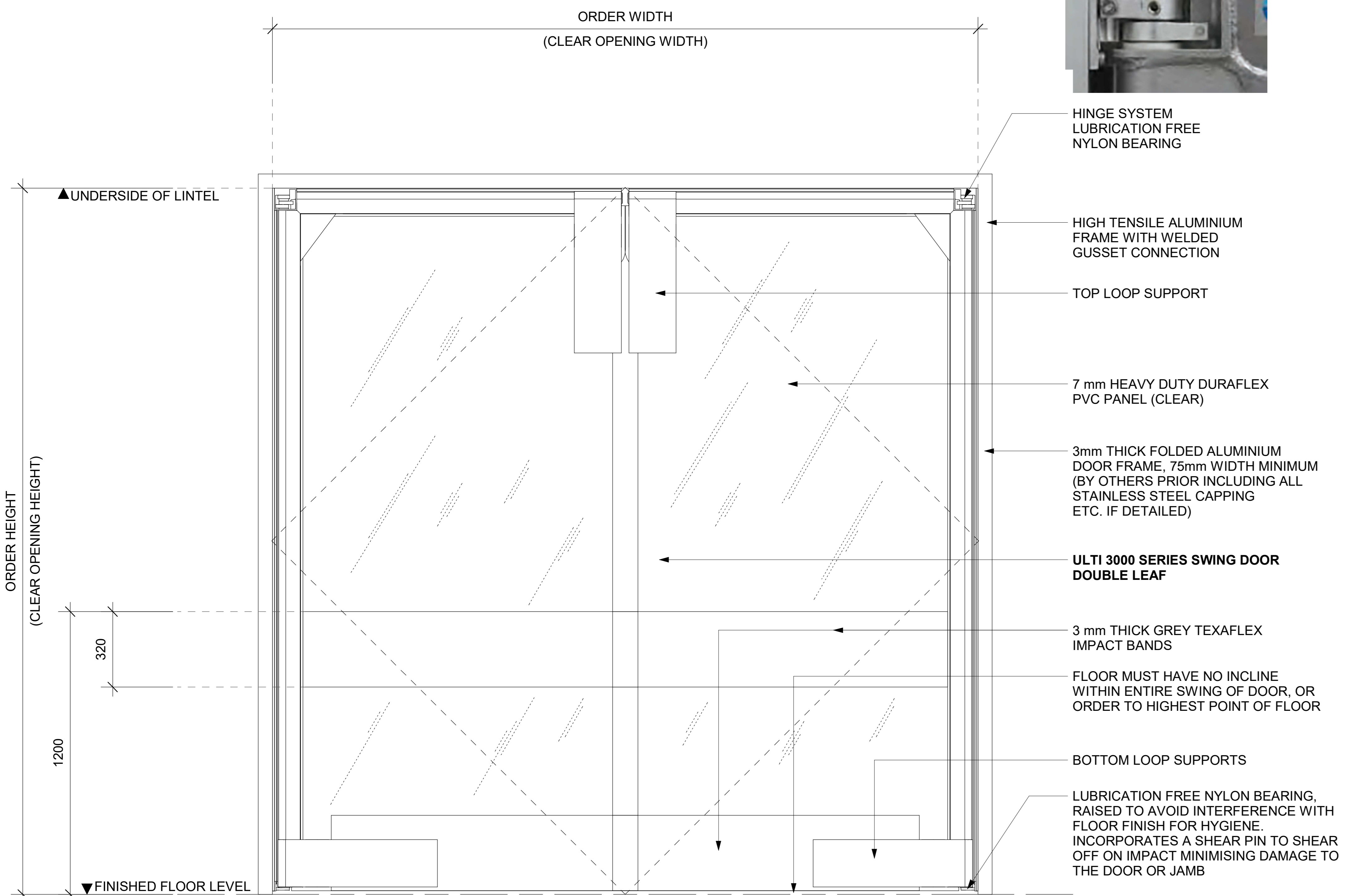
1 FLOOR PLAN VIEW

SCALE: 1:10 MTS.



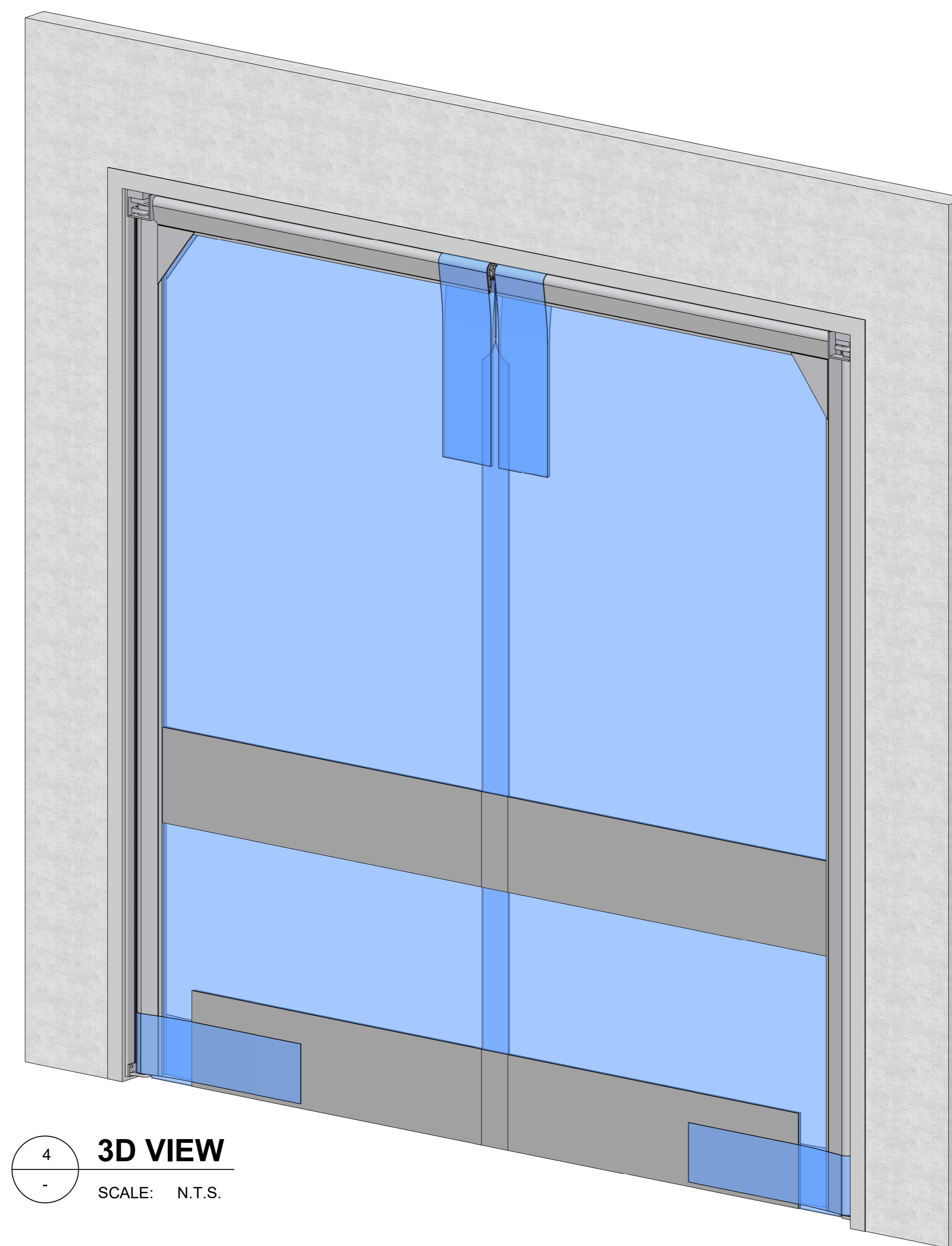
3 ULTI TYPICAL HINGED DOOR FRAME PREPARATION

SCALE: 1:2 MTS.



2 FRONT ELEVATION VIEW

SCALE: 1:10 MTS.



4 3D VIEW

SCALE: N.T.S.



© Ulti Group Ltd, 2021

NOTE:

CONTACT ULTI GROUP FOR ANY
CUSTOMISATIONS AND TO DISCUSS
PROJECT SPECIFIC INFORMATION

www.ultigroup.co.nz
hello@ultigroup.co.nz
Phone: 0800 807 753
105 Glover Road, Hawera, 4610

SPECIFICATIONS :

RELEASED VERSION NO. : **VERSION 3**

PRODUCT GROUP : **SWING DOORS**

PRODUCT ID : **00000**

APPLICATION : **INTERNAL**

SIZES : **UP TO 3200mm HIGH x 3060mm WIDE**

STANDARD FRAME
MATERIAL : **ANODISED ALUMINIUM**

STANDARD FRAME
COLOUR : **ANODISED ALUMINIUM**

STANDARD PANEL
MATERIAL : **7 mm THICK HEAVY DUTY
DURAFLEX PVC PANEL**

CURTAIN COLOUR : **CLEAR**

IMPACT BANDS : **3 mm THICK GREY
TEXAFLEX IMPACT BANDS**

IMPACT BANDS
COLOUR : **ALTERNATIVE COLOUR
OPTIONS AVAILABLE -
BLACK, BLUE OR CLEAR**

* ALL JAMB TRIMS OR FLASHINGS E.G. STAINLESS
STEEL CAPPING IS TO BE PROVIDED BY OTHERS
PRIOR. COMPLETE DOOR OPENING MUST BE
LEVEL, PLUMB AND SQUARE.

TITLE:
**ULTI 3000 SERIES
SWING DOOR
(DOUBLE LEAF)**

SHEET NO. : 1 OF 1 DATE : OCT. 27, 2021

DRAWING NUMBER :
ULTISD30-DOUBLE-001

APPROVED BY : J.PRESTIDGE

DRAWN BY : J.ENRIQUEZ

SCALE : As indicated SHT. SIZE : A0

*All dimensions are in millimeters unless otherwise specified