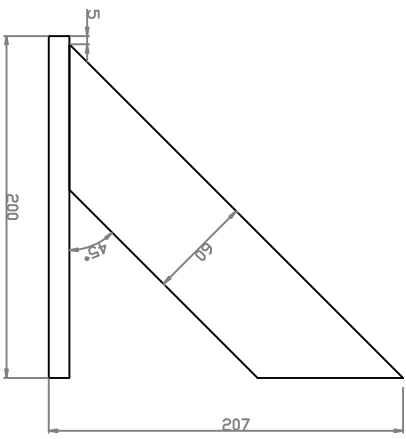
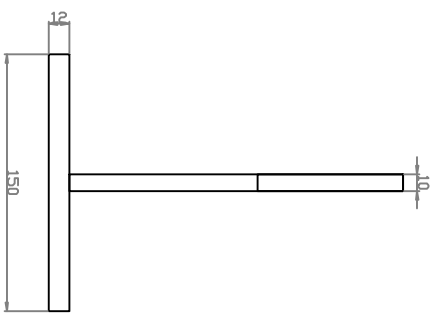


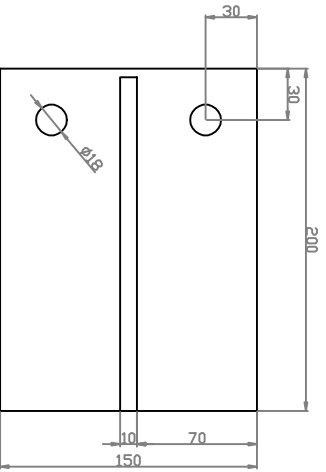
Elevation C  
Scale 1:1



Elevation B  
Scale 1:1



Elevation A  
Scale 1:1



Top Mounted Cleats Plan  
Scale 1:1