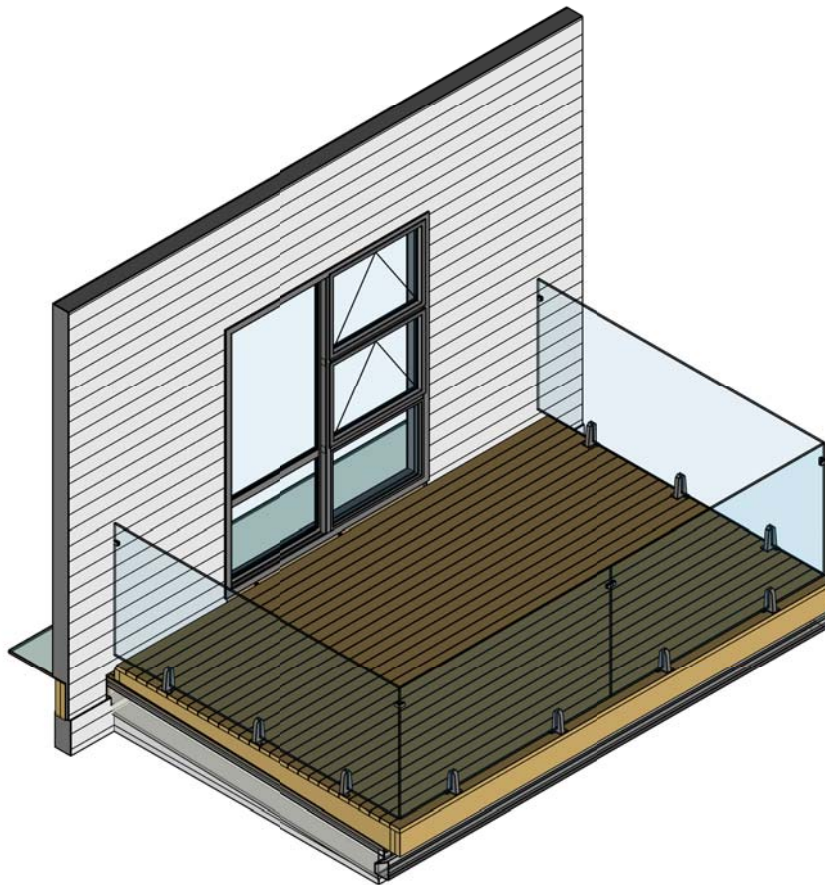


DFS00	Sheet List	9/7/18
DFS01	Joist Hanger - JV JH90SS	9/7/18
DFS10	Plan View	9/7/18
DFS11	Framing Plan	9/7/18
DFS12	Pedestal Layout	9/7/18
DFS20	Section A-A	9/7/18
DFS21	Section B-B	9/7/18
DFS30a1	Glass Vice Deck Edge Detail Glass Vice	9/7/18
DFS30a2	Glass Vice Deck Edge Detail Glass Vice	9/7/18
DFS30b	Glass Vice ClearLine Deck Edge Detail Clearline	9/7/18
DFS30c	Southern Lite Deck Edge Detail	9/7/18
DFS31	Deck Connection Detail	9/7/18
DFS32	Deck Connection Detail	9/7/18
DFS33	Deck Connection Detail	9/7/18
DFS34	Deck Connection Detail	9/7/18
DFS35a1	Side Edge Detail Glass Vice	9/7/18
DFS35a2	Side Edge Detail Glass Vice	9/7/18
DFS35b	Side Edge Detail Clearline	9/7/18
DFS35c	Side Edge Detail Southern Lites	9/7/18
DFS36	Deck Framing - Exploded View	9/7/18



© 2018. The copyright of this document is the property of Glass Vice Limited and shall not be reproduced, copied, loaned or disposed of directly, or indirectly, nor used for any purpose other than that for which it is specifically furnished without prior consent. All dimensions to be checked on site. Details and construction to conform to the New Zealand Building Code.

glass vice_deck_float_nib.rvt
All dimensions in millimetres



Glass Vice®

Deck Overlay 100mm to 190mm Raked Joists
With 250mm Maximum Overhang
Sheet List

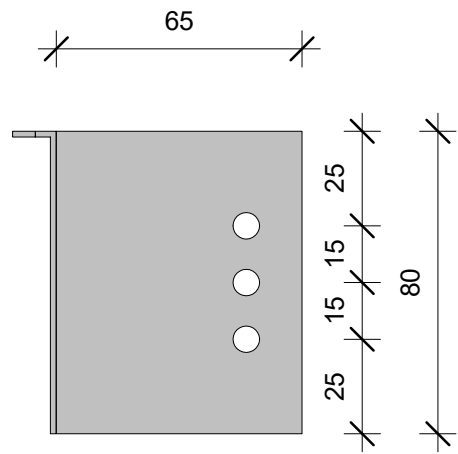
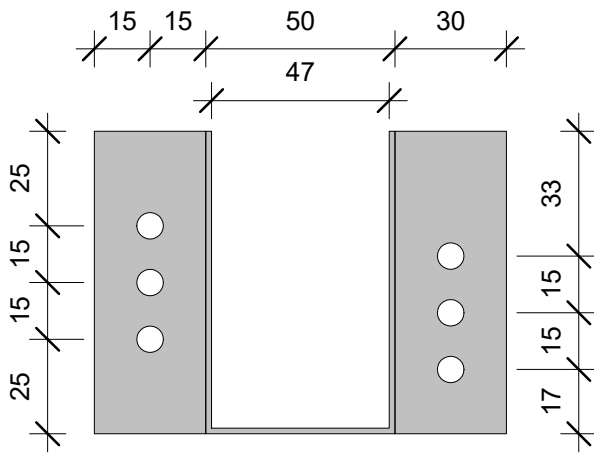
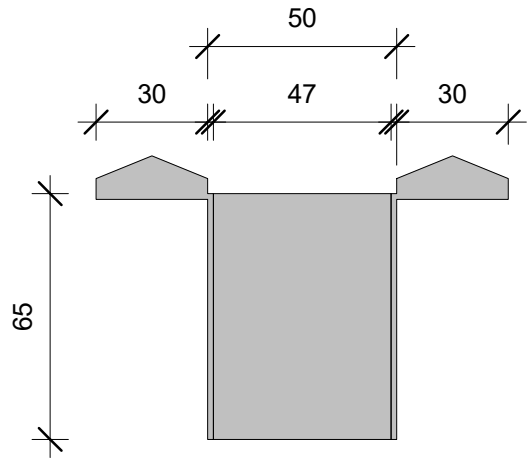
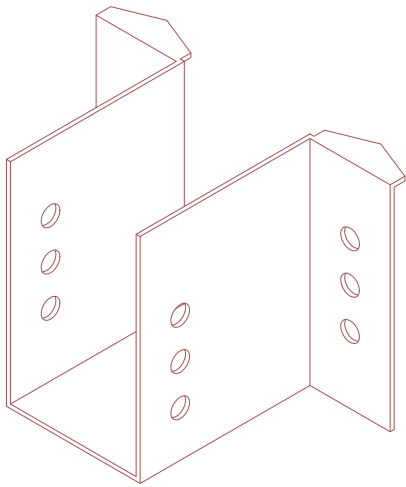
Date: 9/7/18
Scale:

Version 4

Quick Code:

www.glassvice.com
Phone +64 9 414 6565
info@glassvice.com

DFS00



© 2018. The copyright of this document is the property of Glass Vice Limited and shall not be reproduced, copied, loaned or disposed of directly, or indirectly, nor used for any purpose other than that for which it is specifically furnished without prior consent. All dimensions to be checked on site. Details and construction to conform to the New Zealand Building Code.

glass_vice_deck_float_nib.rvt
All dimensions in millimetres



Glass Vice®
Deck Overlay 100mm to 190mm Raked Joists
With 250mm Maximum Overhang
Joist Hanger - JV JH90SS

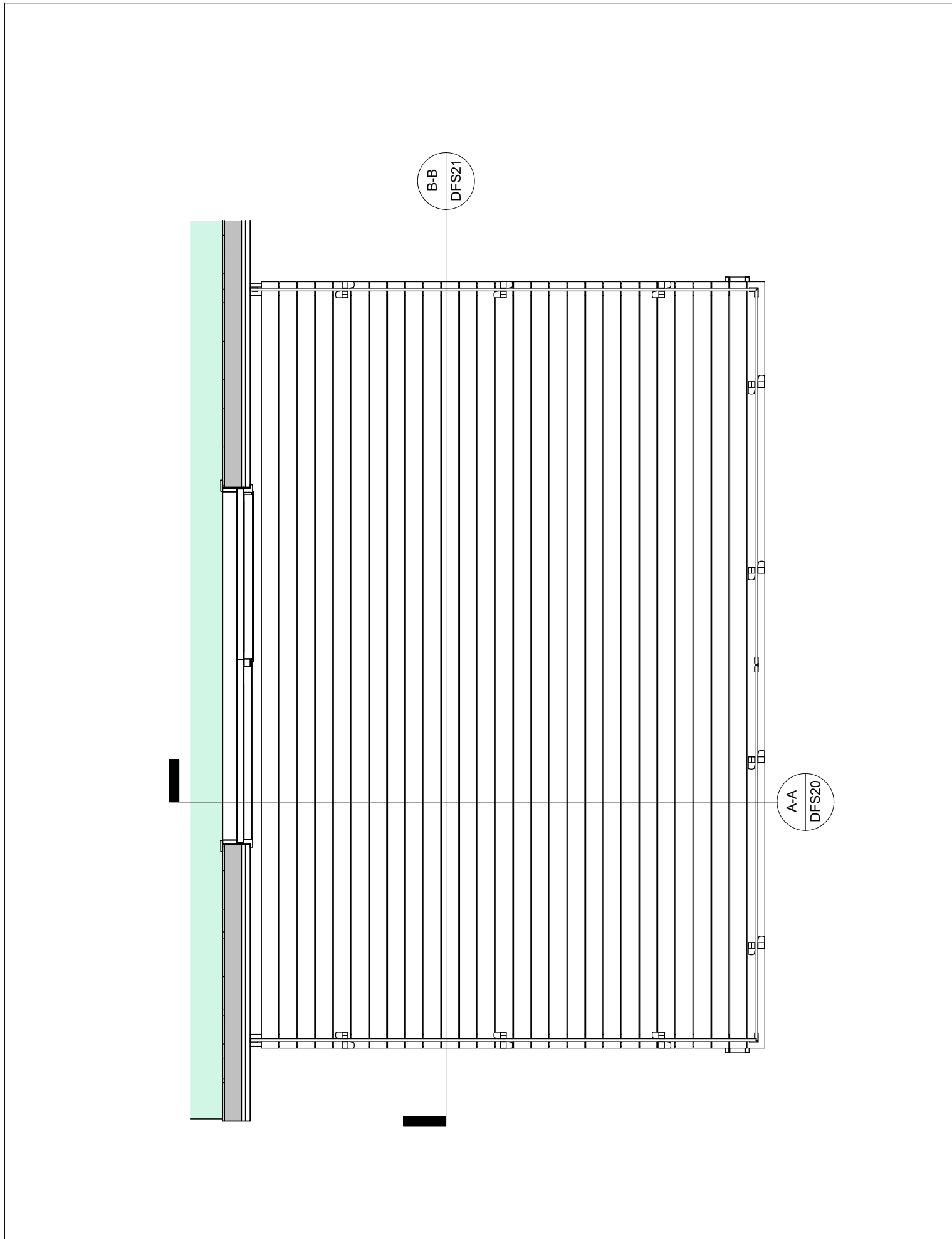
Date: 9/7/18
Scale: 1 : 2

Version 4

Quick Code:

www.glassvice.com
Phone +64 9 414 6565
info@glassvice.com

DFS01



© 2018. The copyright of this document is the property of Glass Vice Limited and shall not be reproduced, copied, loaned or disposed of directly, or indirectly, nor used for any purpose other than that for which it is specifically furnished without prior consent. All dimensions to be checked on site. Details and construction to conform to the New Zealand Building Code.

glass_vice_deck_float_nib.rvt
All dimensions in millimetres

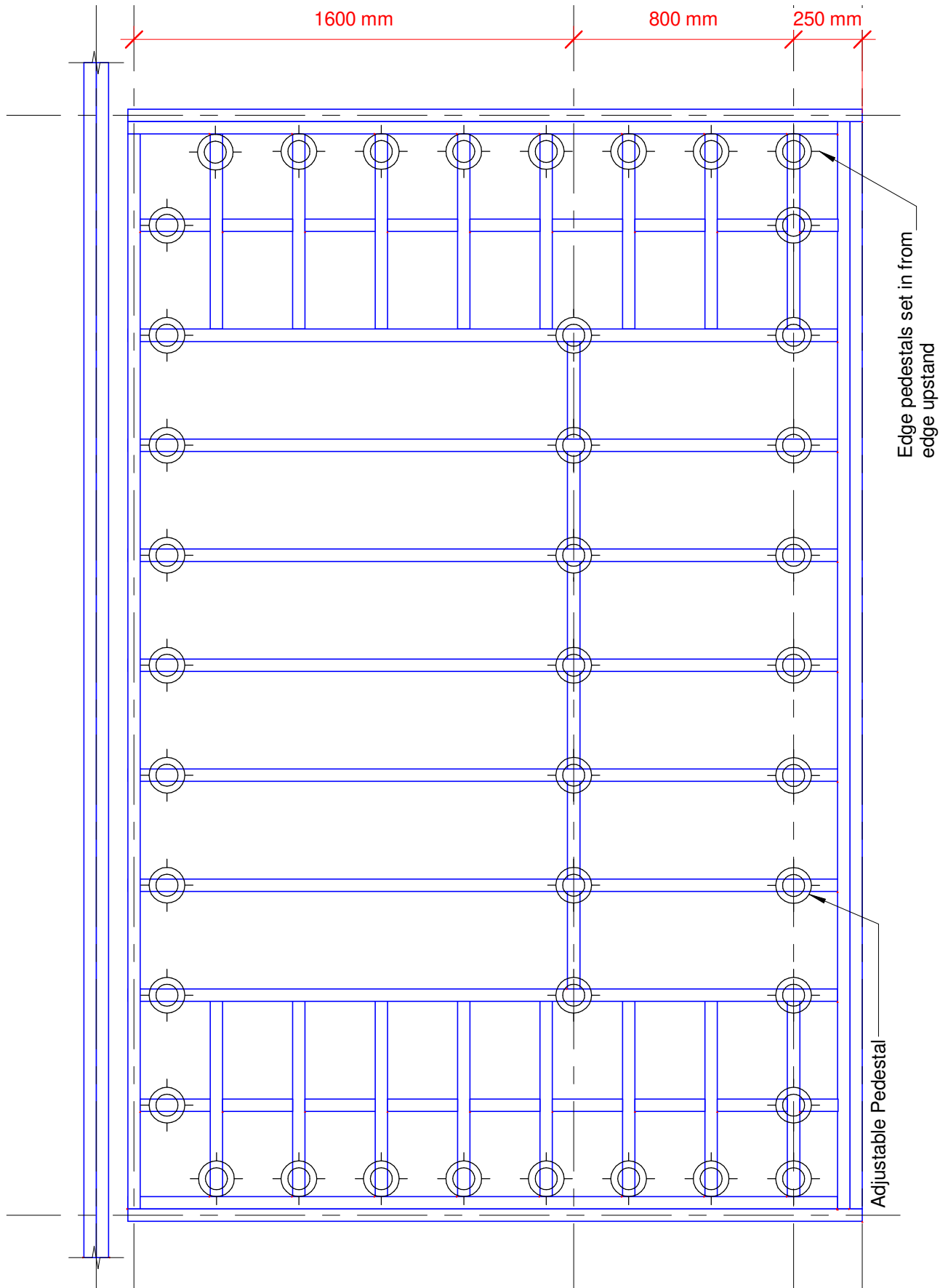


Glass Vice®
Deck Overlay 100mm to 190mm Raked Joists
With 250mm Maximum Overhang
Plan View

Date: 9/7/18
Scale: 1 : 25
Version 4
Quick Code:

www.glassvice.com
Phone +64 9 414 6565
info@glassvice.com

DFS10



© 2018. The copyright of this document is the property of Glass Vice Limited and shall not be reproduced, copied, loaned or disposed of directly, or indirectly, nor used for any purpose other than that for which it is specifically furnished without prior consent. All dimensions to be checked on site. Details and construction to conform to the New Zealand Building Code.

glass_vice_deck_float_nib.rvt
All dimensions in millimetres

**GLASS
VICE®**

Glass Vice®
Deck Overlay 100mm to 190mm Raked Joists
With 250mm Maximum Overhang
Pedestal Layout

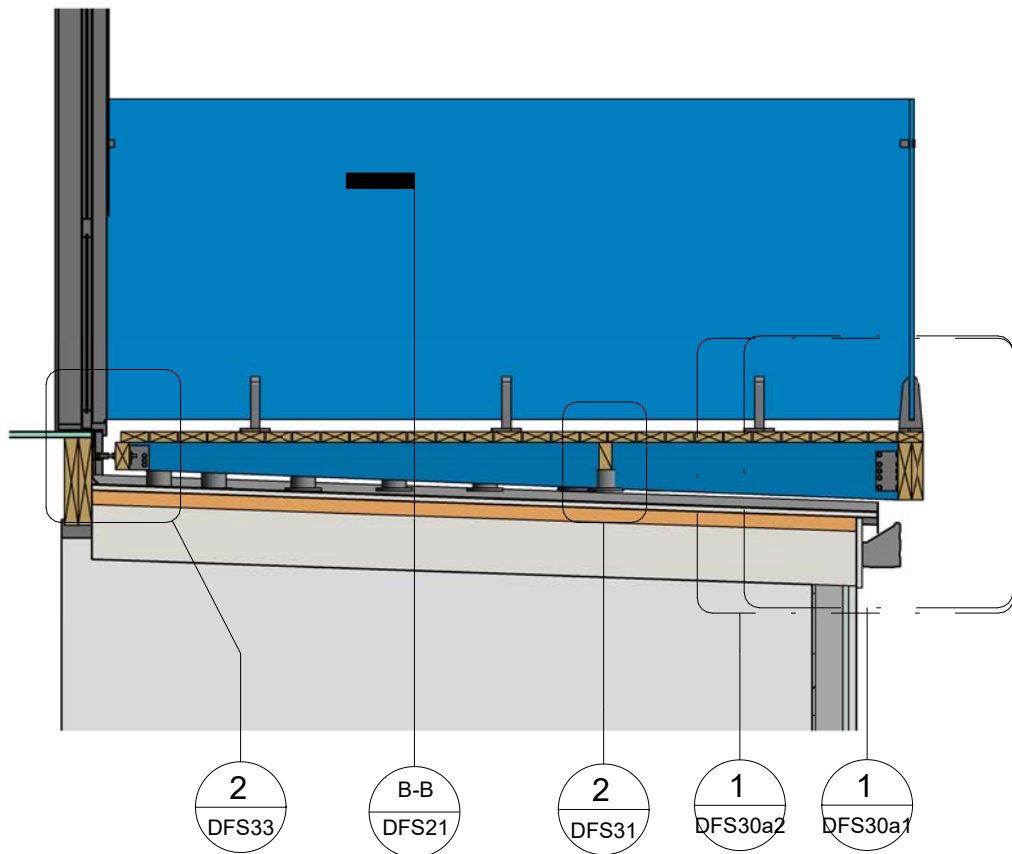
Date: 9/7/18
Scale: 1 : 20

Version 4

Quick Code:

www.glassvice.com
Phone +64 9 414 6565
info@glassvice.com

DFS12



© 2018. The copyright of this document is the property of Glass Vice Limited and shall not be reproduced, copied, loaned or disposed of directly, or indirectly, nor used for any purpose other than that for which it is specifically furnished without prior consent. All dimensions to be checked on site. Details and construction to conform to the New Zealand Building Code.

glass_vice_deck_float_nib.rvt
All dimensions in millimetres



Glass Vice®
Deck Overlay 100mm to 190mm Raked Joists
With 250mm Maximum Overhang
Section A-A

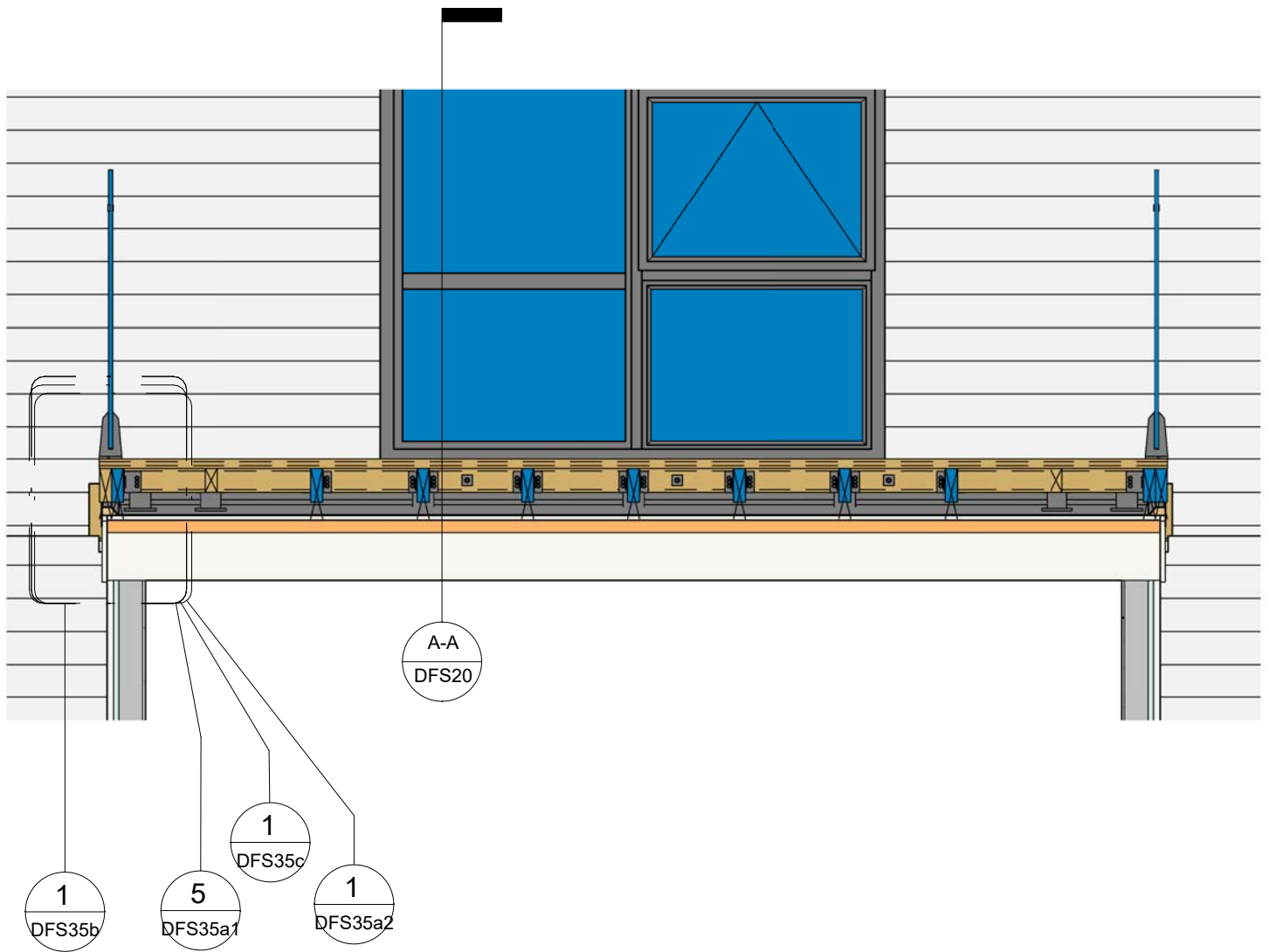
Date: 9/7/18
Scale: 1 : 25

Version 4

Quick Code:

www.glassvice.com
Phone +64 9 414 6565
info@glassvice.com

DFS20



© 2018. The copyright of this document is the property of Glass Vice Limited and shall not be reproduced, copied, loaned or disposed of directly, or indirectly, nor used for any purpose other than that for which it is specifically furnished without prior consent. All dimensions to be checked on site. Details and construction to conform to the New Zealand Building Code.

glass_vice_deck_float_nib.rvt
All dimensions in millimetres



Glass Vice®
Deck Overlay 100mm to 190mm Raked Joists
With 250mm Maximum Overhang
Section B-B

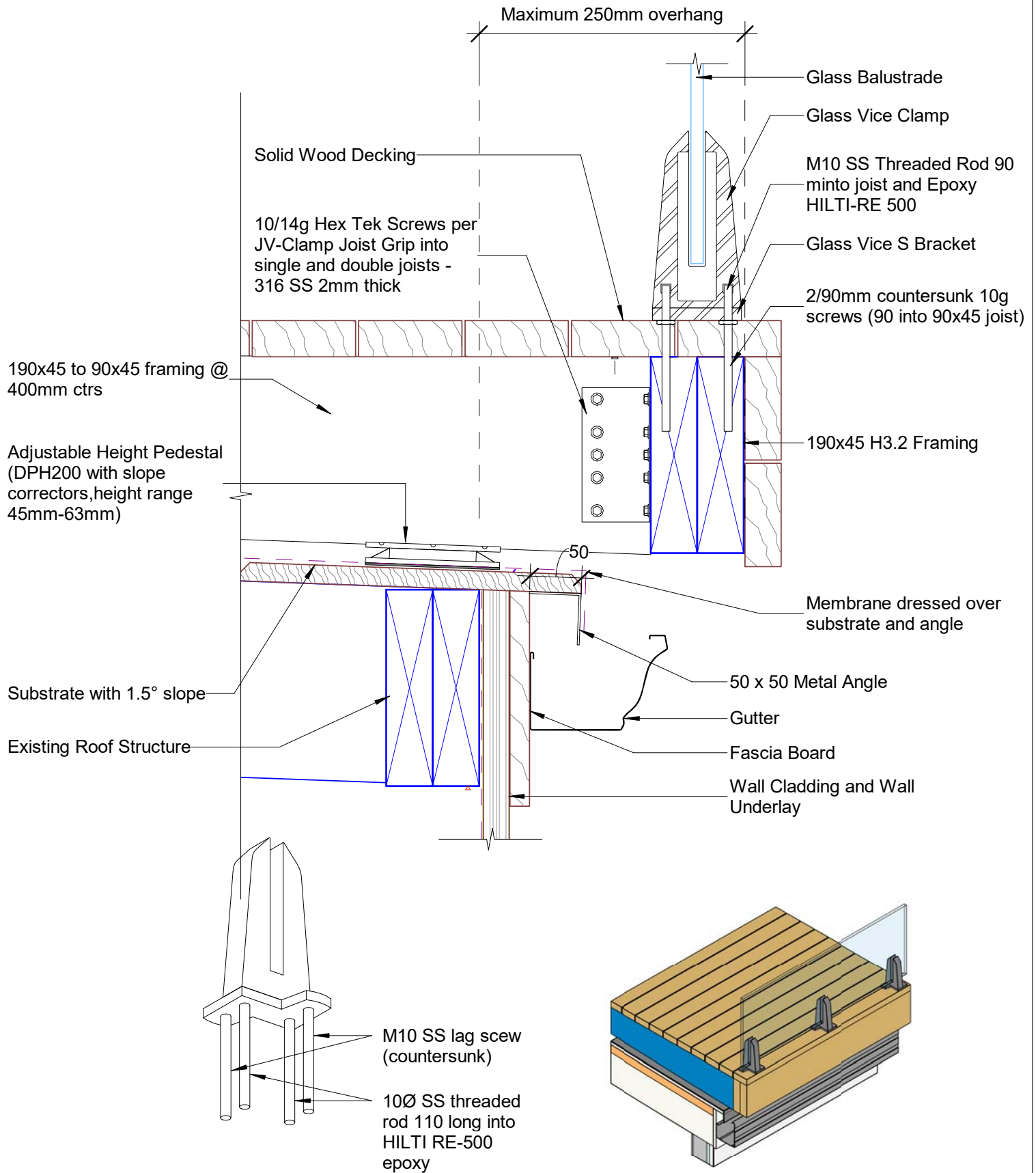
Date: 9/7/18
Scale: 1 : 25

Version 4

Quick Code:

www.glassvice.com
Phone +64 9 414 6565
info@glassvice.com

DFS21



© 2018. The copyright of this document is the property of Glass Vice Limited and shall not be reproduced, copied, loaned or disposed of directly, or indirectly, nor used for any purpose other than that for which it is specifically furnished without prior consent. All dimensions to be checked on site. Details and construction to conform to the New Zealand Building Code.

glass_vice_deck_float_nib.rvt
All dimensions in millimetres



Glass Vice®
Deck Overlay 100mm to 190mm Raked Joists
With 250mm Maximum Overhang
Glass Vice Deck Edge Detail Glass Vice

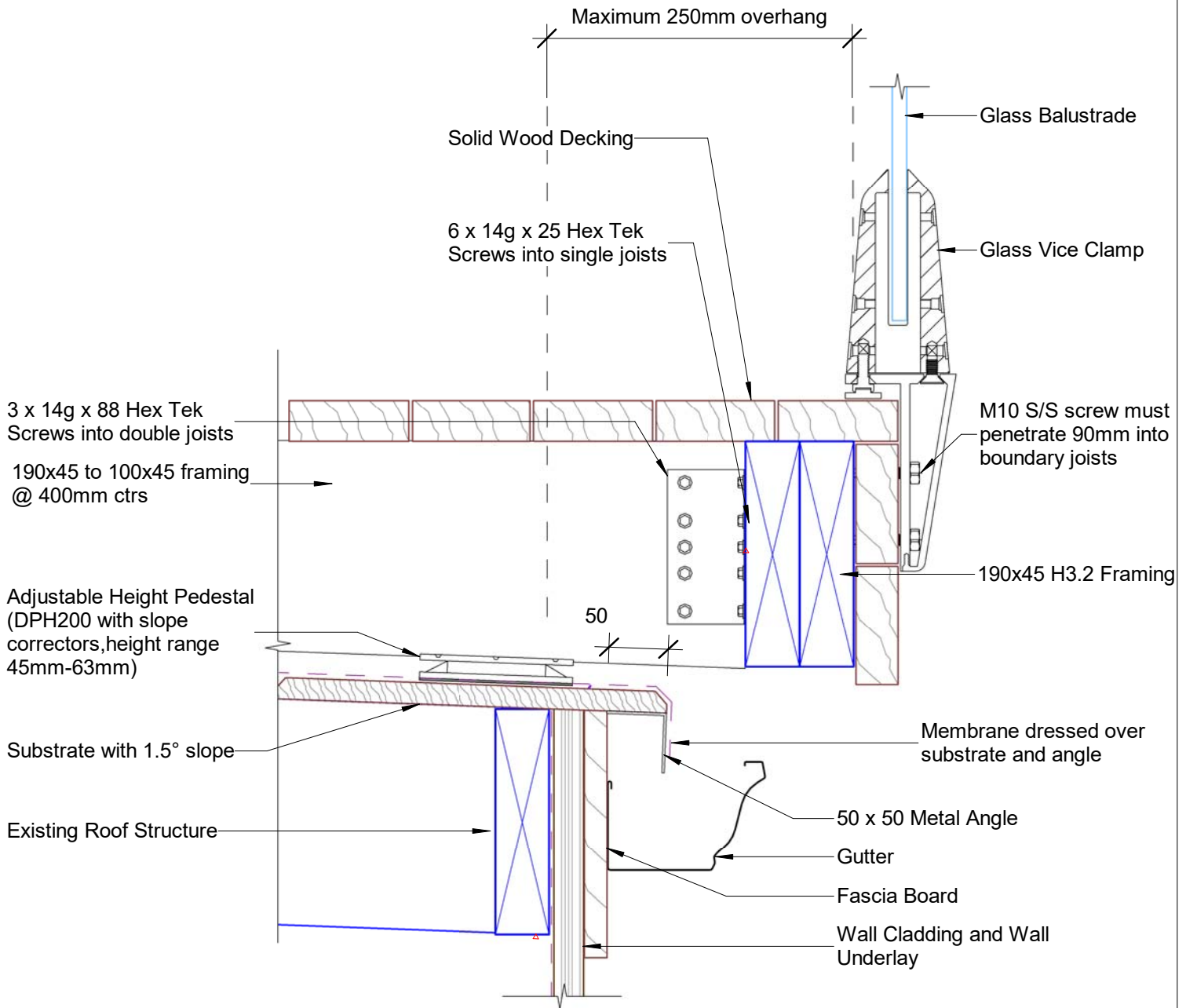
Date: 9/7/18
Scale: 1 : 5

www.glassvice.com
Phone +64 9 414 6565
info@glassvice.com

Version 4

Quick Code:

DFS30a1



© 2018. The copyright of this document is the property of Glass Vice Limited and shall not be reproduced, copied, loaned or disposed of directly, or indirectly, nor used for any purpose other than that for which it is specifically furnished without prior consent. All dimensions to be checked on site. Details and construction to conform to the New Zealand Building Code.

All dimensions in millimetres



Glass Vice®
 Deck Overlay 100mm to 190mm Raked Joists
 With 250mm Maximum Overhang
 Glass Vice Deck Edge Detail Glass Vice

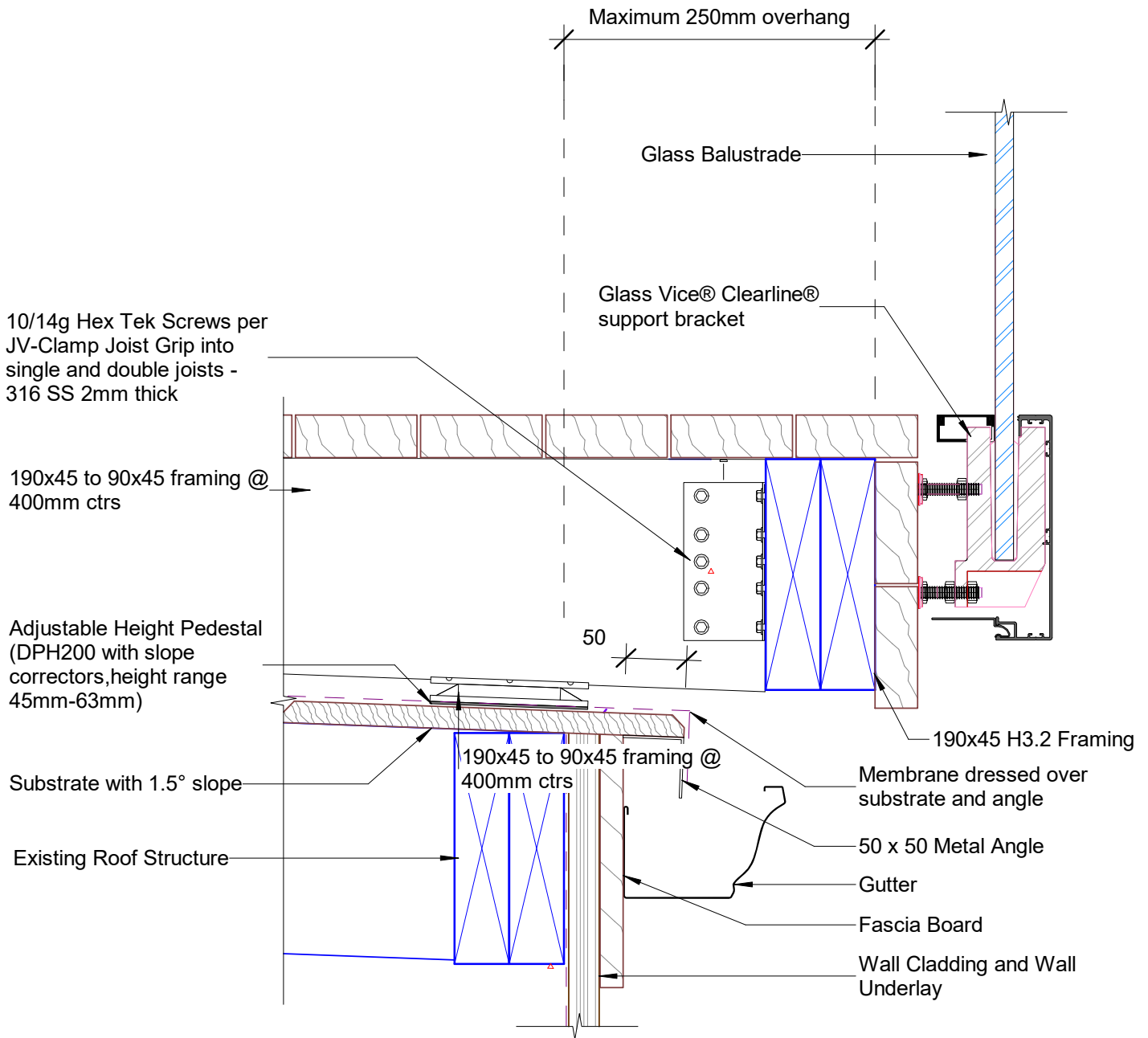
Date: 9/7/18
 Scale: 1 : 5

Version 4

Quick Code:

www.glassvice.com
 Phone +64 9 414 6565
 info@glassvice.com

DFS30a2



Note: Installation to be in accordance with E2/AS1

© 2018. The copyright of this document is the property of Glass Vice Limited and shall not be reproduced, copied, loaned or disposed of directly, or indirectly, nor used for any purpose other than that for which it is specifically furnished without prior consent. All dimensions to be checked on site. Details and construction to conform to the New Zealand Building Code.

All dimensions in millimetres



Glass Vice®
 Deck Overlay 100mm to 190mm Raked Joists
 With 250mm Maximum Overhang
 Glass Vice ClearLine Deck Edge Detail Clearline

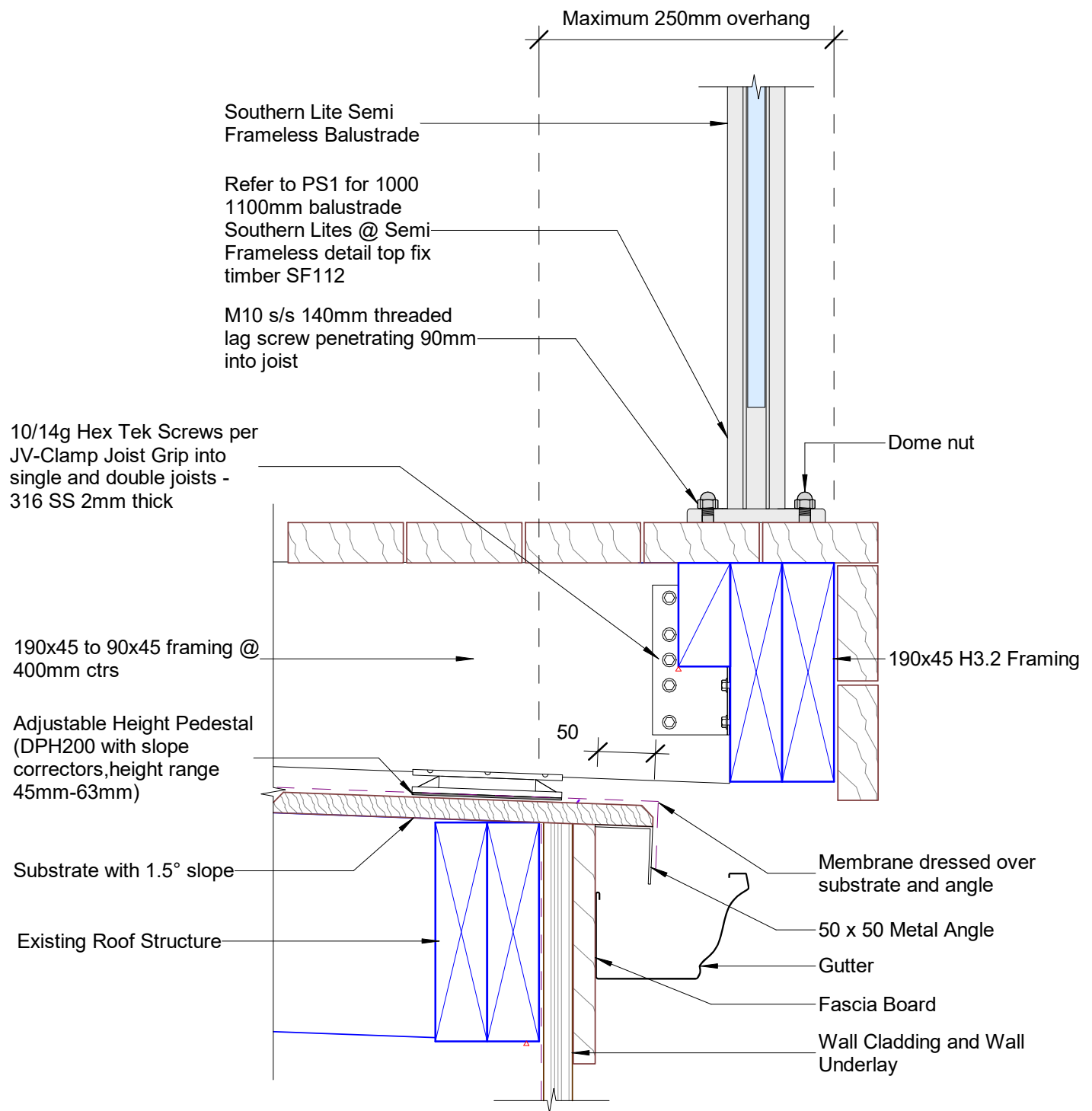
Date: 9/7/18
 Scale: 1 : 5

Version 4

Quick Code:

www.glassvice.com
 Phone +64 9 414 6565
 info@glassvice.com

DFS30b



Note: Installation to be in accordance with E2/AS1

© 2018. The copyright of this document is the property of Glass Vice Limited and shall not be reproduced, copied, loaned or disposed of directly, or indirectly, nor used for any purpose other than that for which it is specifically furnished without prior consent. All dimensions to be checked on site. Details and construction to conform to the New Zealand Building Code.

All dimensions in millimetres



Glass Vice®
 Deck Overlay 100mm to 190mm Raked Joists
 With 250mm Maximum Overhang
 Southern Lite Deck Edge Detail

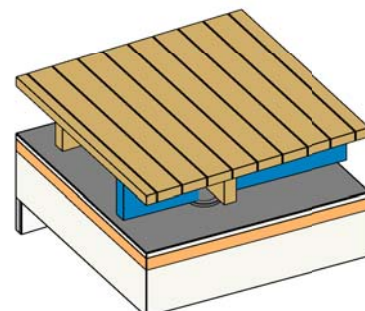
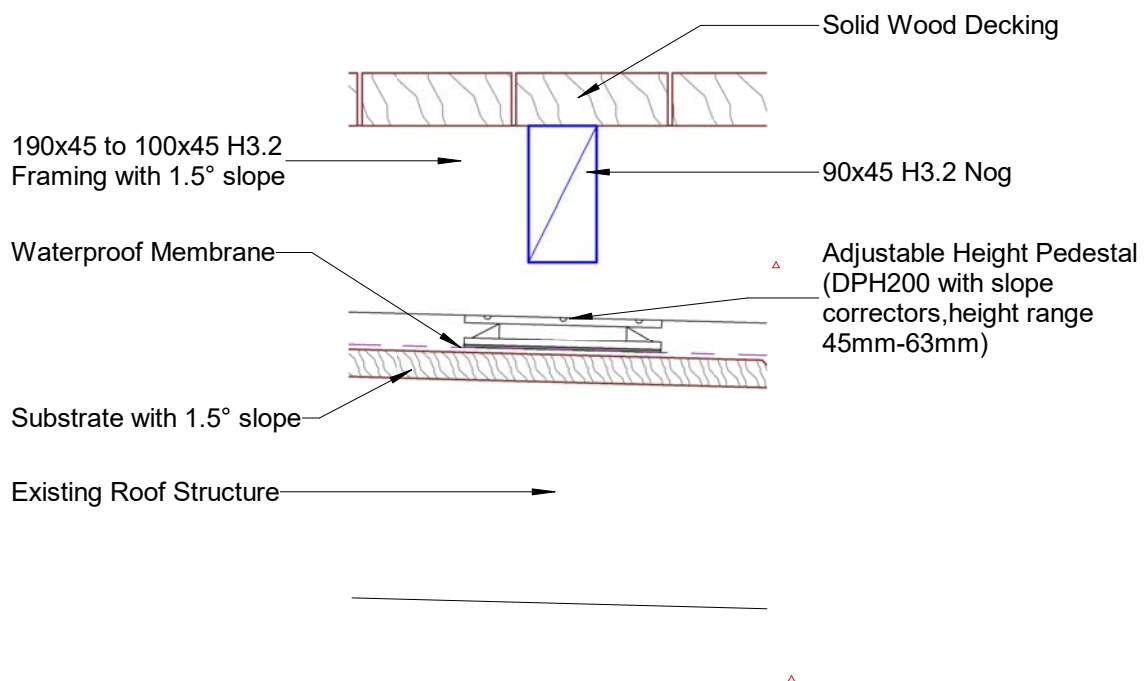
Date: 9/7/18
 Scale: 1 : 5

Version 4

Quick Code:

www.glassvice.com
 Phone +64 9 414 6565
 info@glassvice.com

DFS30c



© 2018. The copyright of this document is the property of Glass Vice Limited and shall not be reproduced, copied, loaned or disposed of directly, or indirectly, nor used for any purpose other than that for which it is specifically furnished without prior consent. All dimensions to be checked on site. Details and construction to conform to the New Zealand Building Code.

glass_vice_deck_float_nib.rvt
All dimensions in millimetres



Glass Vice®
 Deck Overlay 100mm to 190mm Raked Joists
 With 250mm Maximum Overhang
 Deck Connection Detail

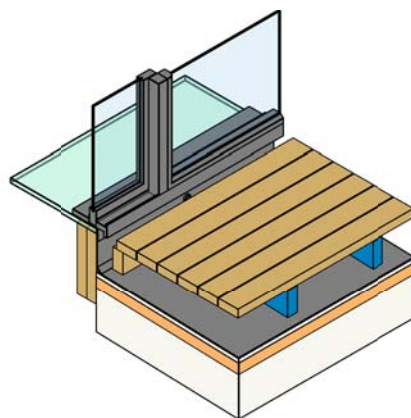
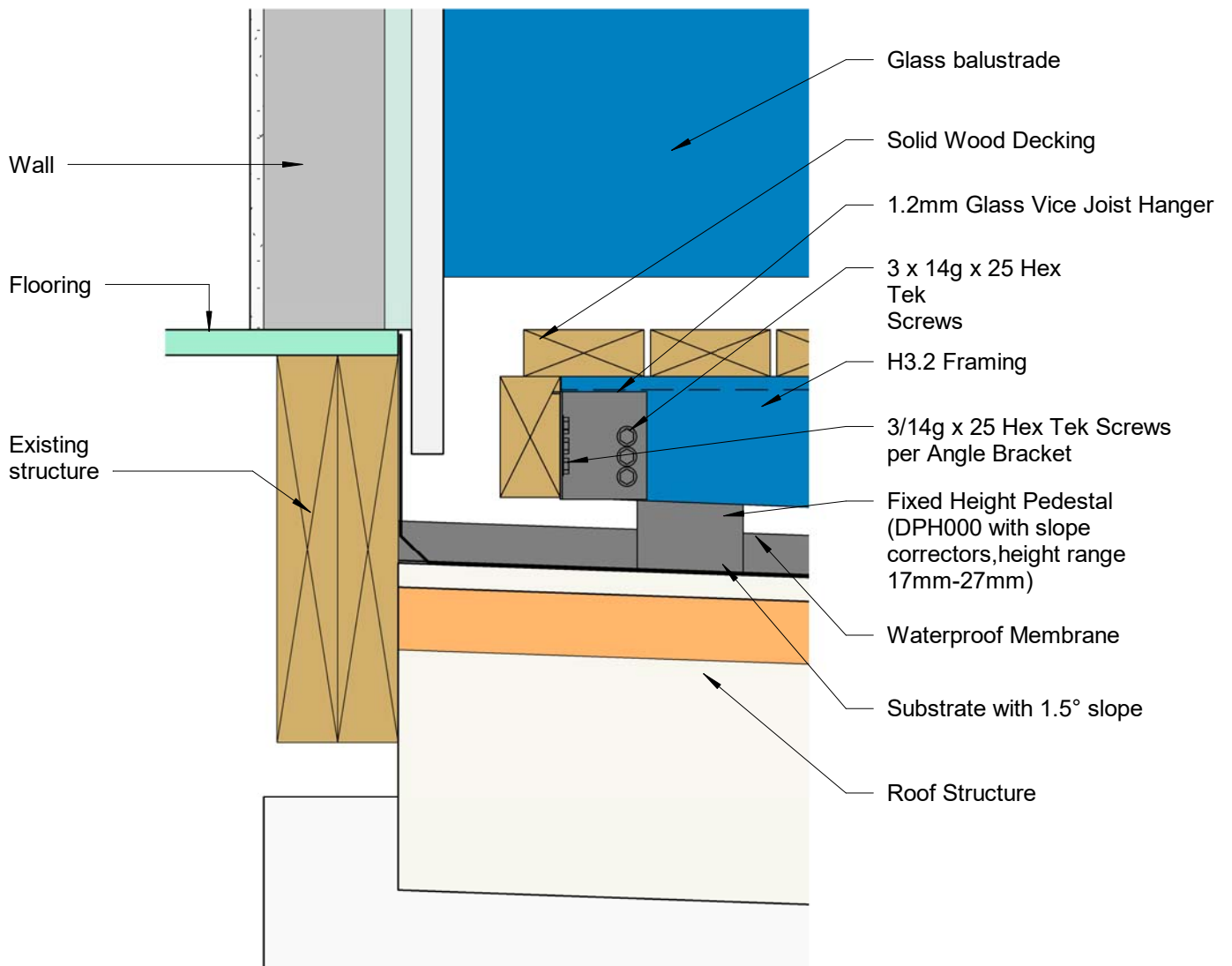
Date: 9/7/18
 Scale: 1 : 5

Version 4

Quick Code:

www.glassvice.com
 Phone +64 9 414 6565
info@glassvice.com

DFS31



© 2018. The copyright of this document is the property of Glass Vice Limited and shall not be reproduced, copied, loaned or disposed of directly, or indirectly, nor used for any purpose other than that for which it is specifically furnished without prior consent. All dimensions to be checked on site. Details and construction to conform to the New Zealand Building Code.

glass_vice_deck_float_nib.rvt
All dimensions in millimetres



Glass Vice®
Deck Overlay 100mm to 190mm Raked Joists
With 250mm Maximum Overhang
Deck Connection Detail

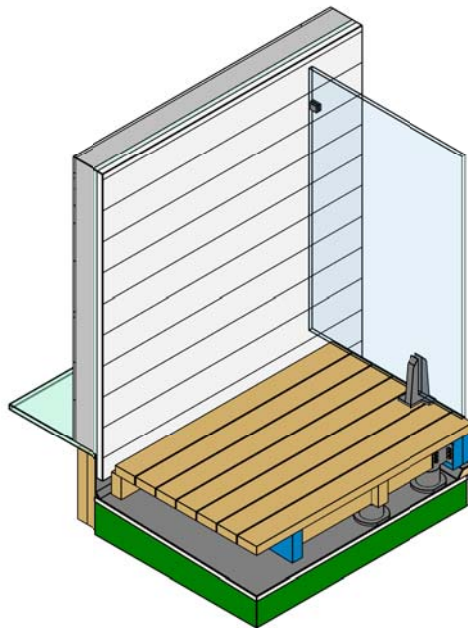
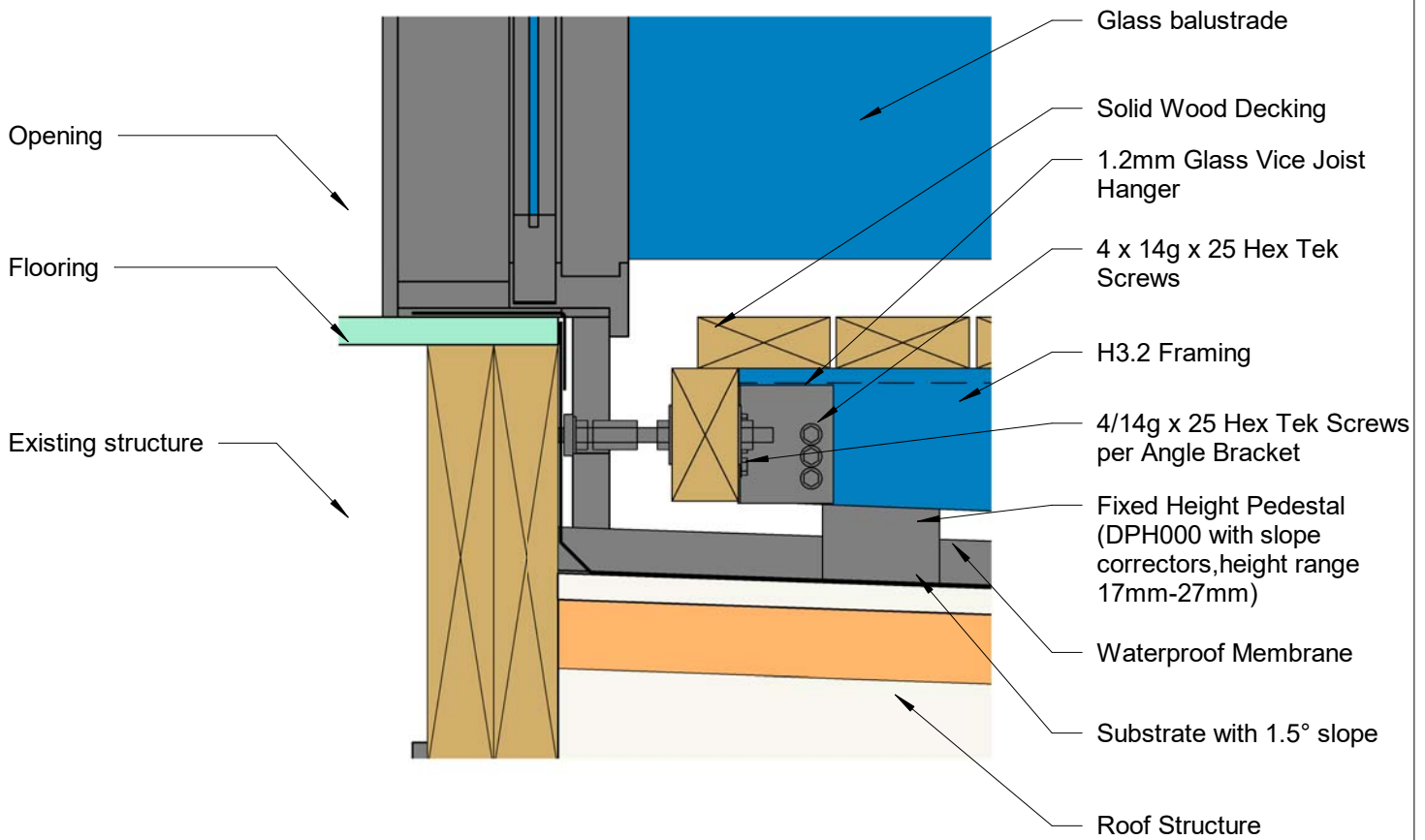
Date: 9/7/18
Scale: 1 : 5

Version 4

Quick Code:

www.glassvice.com
Phone +64 9 414 6565
info@glassvice.com

DFS32



© 2018. The copyright of this document is the property of Glass Vice Limited and shall not be reproduced, copied, loaned or disposed of directly, or indirectly, nor used for any purpose other than that for which it is specifically furnished without prior consent. All dimensions to be checked on site. Details and construction to conform to the New Zealand Building Code.

glass_vice_deck_float_nib.rvt
All dimensions in millimetres



Glass Vice®
Deck Overlay 100mm to 190mm Raked Joists
With 250mm Maximum Overhang
Deck Connection Detail

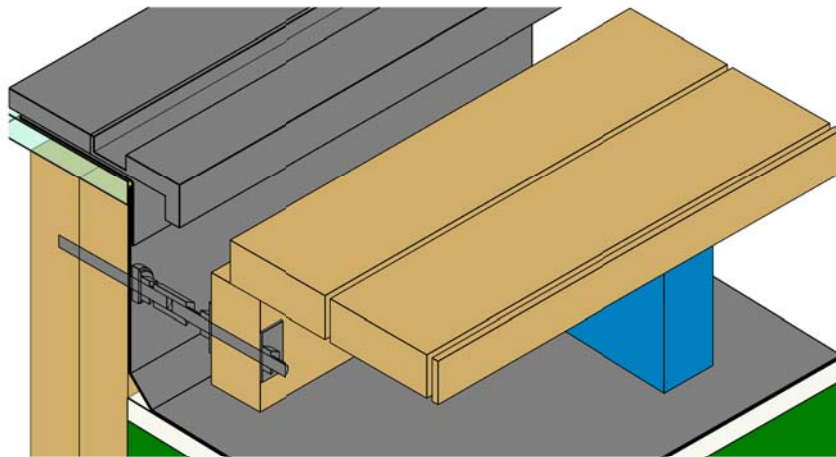
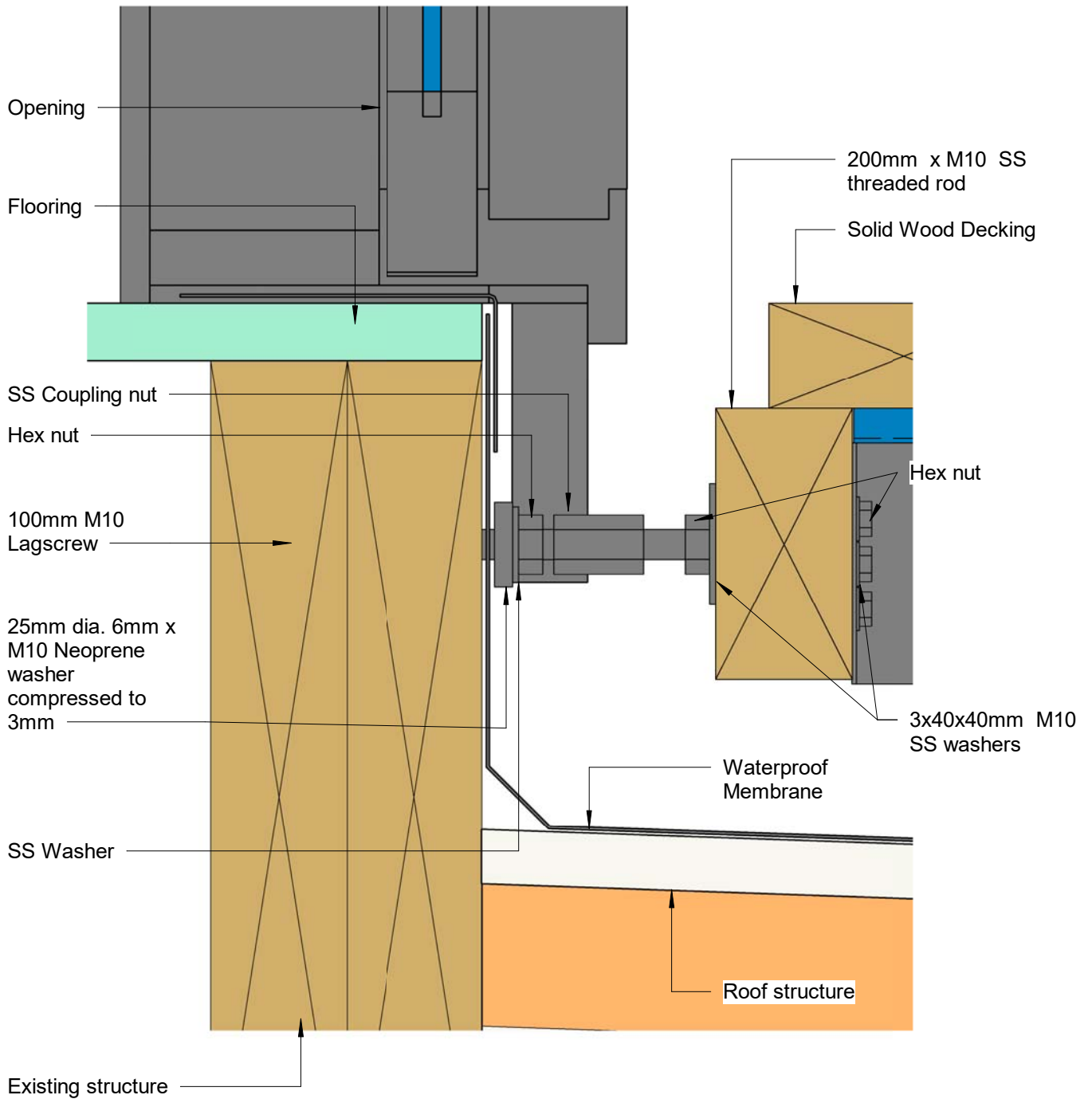
Date: 9/7/18
Scale: 1 : 5

Version 4

Quick Code:

www.glassvice.com
Phone +64 9 414 6565
info@glassvice.com

DFS33



© 2018. The copyright of this document is the property of Glass Vice Limited and shall not be reproduced, copied, loaned or disposed of directly, or indirectly, nor used for any purpose other than that for which it is specifically furnished without prior consent. All dimensions to be checked on site. Details and construction to conform to the New Zealand Building Code.

glass_vice_deck_float_nib.rvt
All dimensions in millimetres

**GLASS
VICE**

Glass Vice®
Deck Overlay 100mm to 190mm Raked Joists
With 250mm Maximum Overhang
Deck Connection Detail

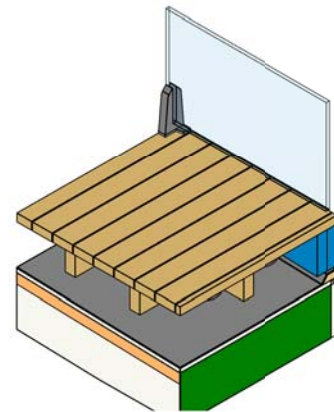
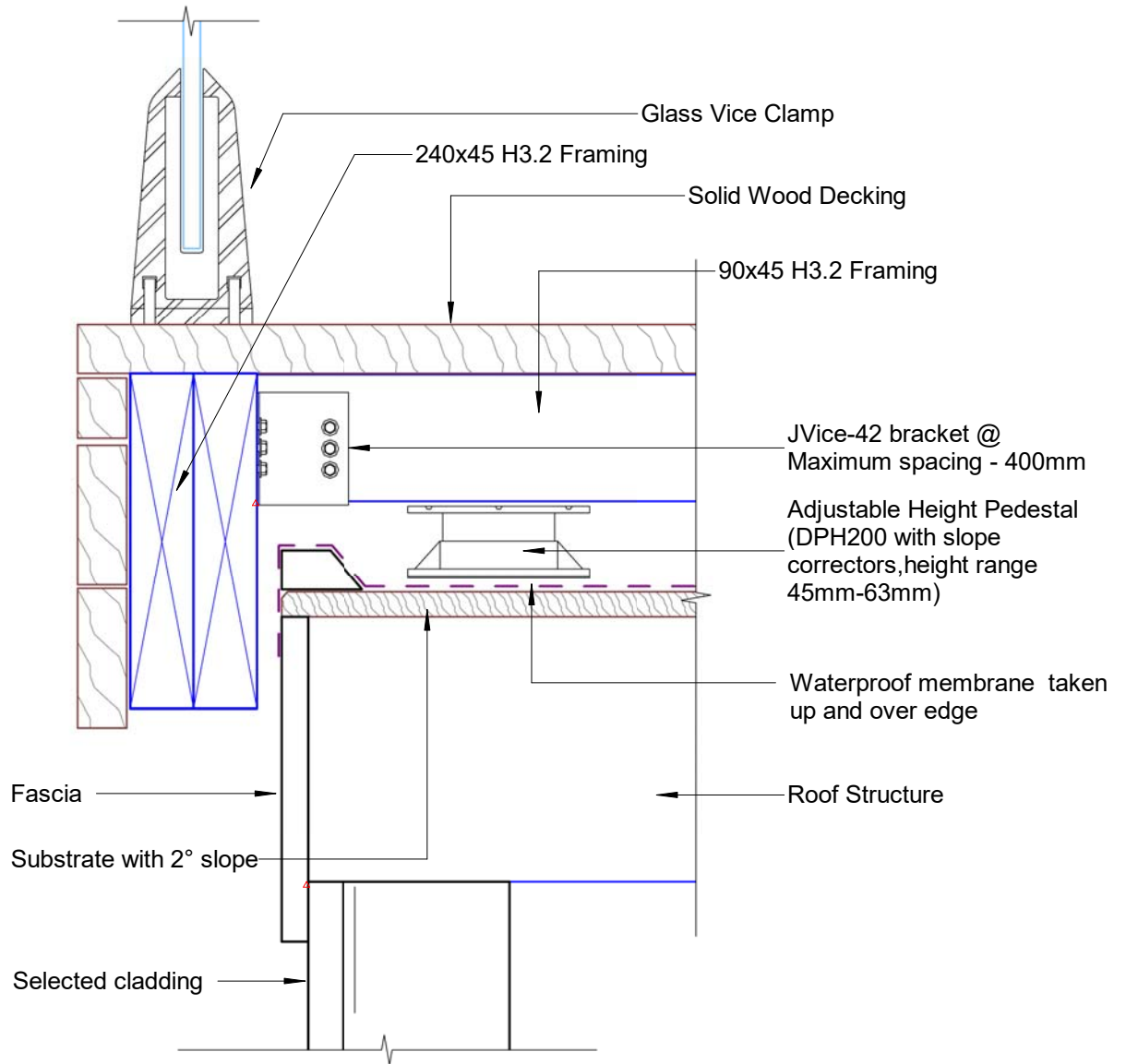
Date: 9/7/18
Scale: 1 : 2

Version 4

Quick Code:

www.glassvice.com
Phone +64 9 414 6565
info@glassvice.com

DFS34



© 2018. The copyright of this document is the property of Glass Vice Limited and shall not be reproduced, copied, loaned or disposed of directly, or indirectly, nor used for any purpose other than that for which it is specifically furnished without prior consent. All dimensions to be checked on site. Details and construction to conform to the New Zealand Building Code.

glass_vice_deck_float_nib.rvt
All dimensions in millimetres

GLASS VICE

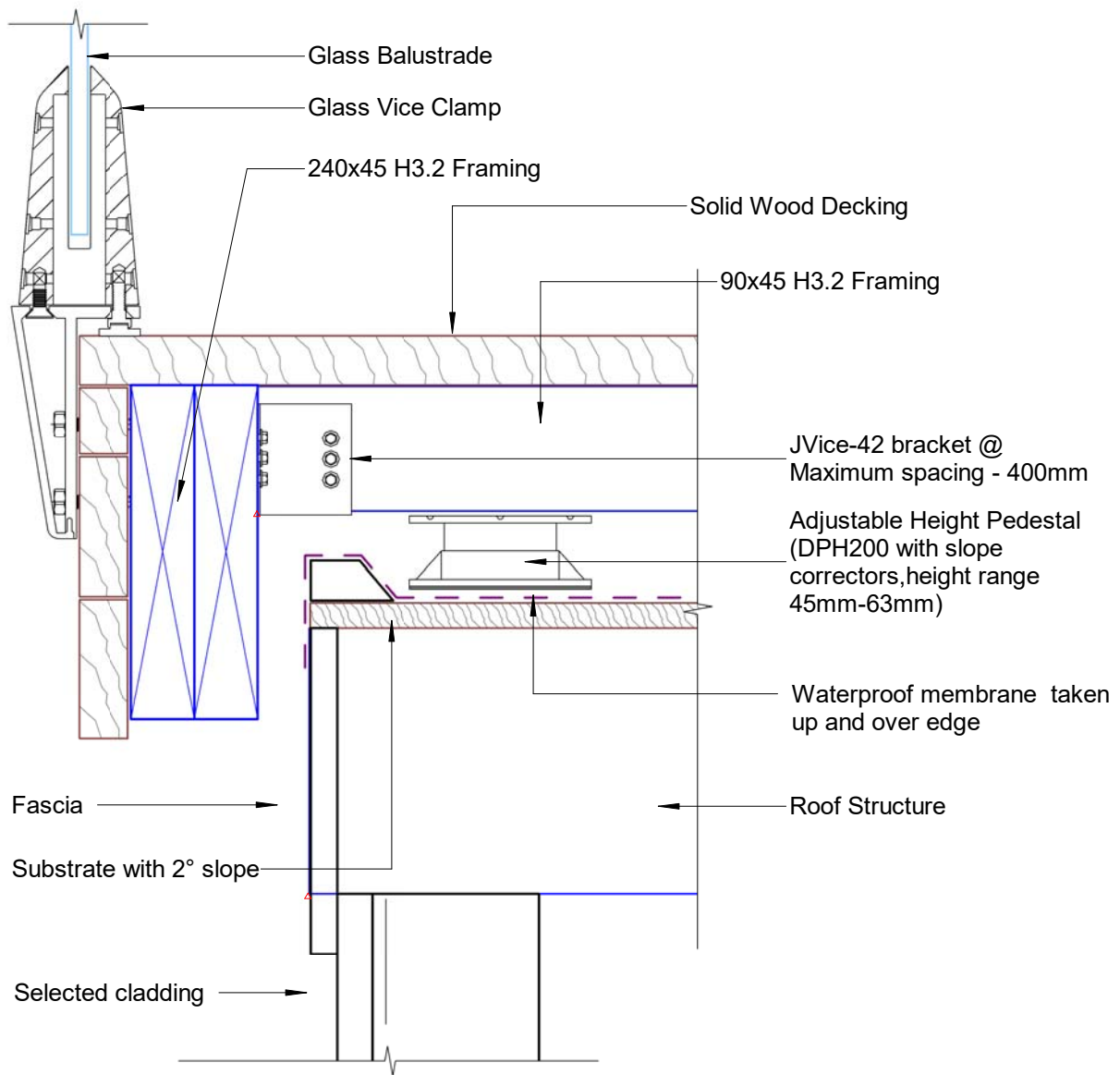
Glass Vice®
Deck Overlay 100mm to 190mm Raked Joists
With 250mm Maximum Overhang
Side Edge Detail Glass Vice

Date: 9/7/18
Scale: 1 : 5
Version 4

www.glassvice.com
Phone +64 9 414 6565
info@glassvice.com

Quick Code:

DFS35a1



© 2018. The copyright of this document is the property of Glass Vice Limited and shall not be reproduced, copied, loaned or disposed of directly, or indirectly, nor used for any purpose other than that for which it is specifically furnished without prior consent. All dimensions to be checked on site. Details and construction to conform to the New Zealand Building Code.

All dimensions in millimetres



Glass Vice®
 Deck Overlay 100mm to 190mm Raked Joists
 With 250mm Maximum Overhang
 Side Edge Detail Glass Vice

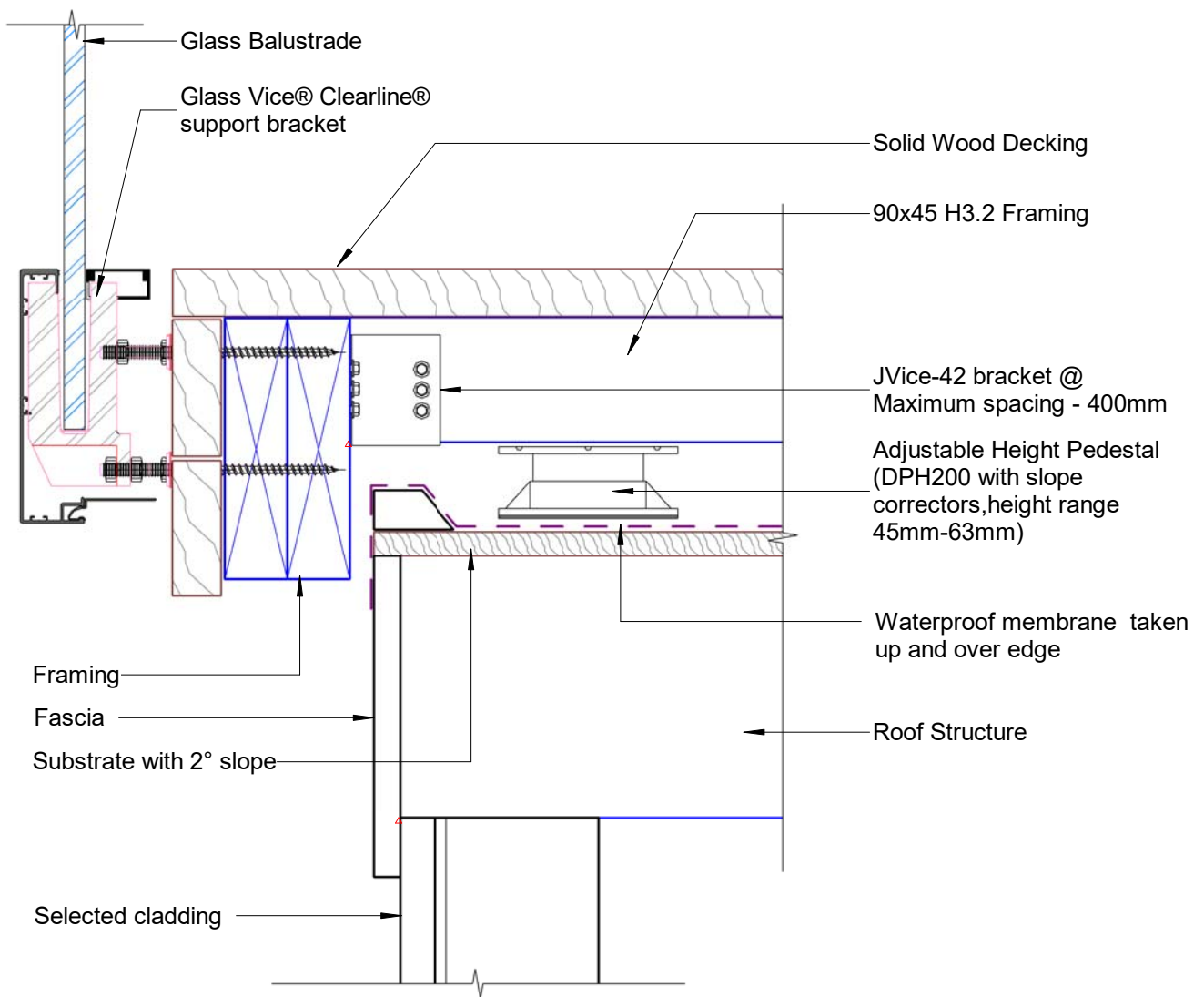
Date: 9/7/18
 Scale: 1 : 5

www.glassvice.com
 Phone +64 9 414 6565
info@glassvice.com

Version 4

Quick Code:

DFS35a2



© 2018. The copyright of this document is the property of Glass Vice Limited and shall not be reproduced, copied, loaned or disposed of directly, or indirectly, nor used for any purpose other than that for which it is specifically furnished without prior consent. All dimensions to be checked on site. Details and construction to conform to the New Zealand Building Code.

All dimensions in millimetres



Glass Vice®
 Deck Overlay 100mm to 190mm Raked Joists
 With 250mm Maximum Overhang
 Side Edge Detail Clearline

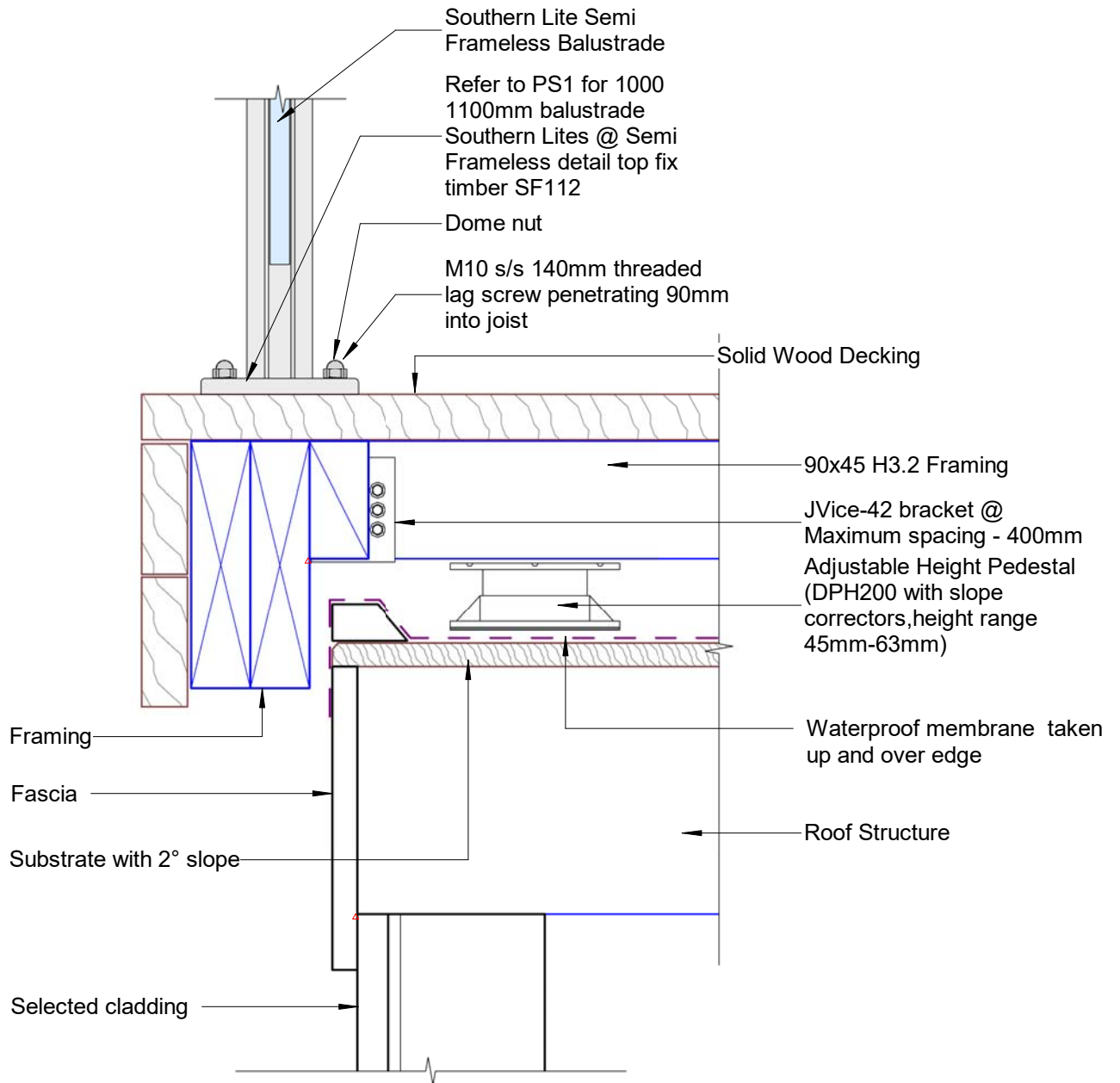
Date: 9/7/18
 Scale: 1 : 5

Version 4

Quick Code:

www.glassvice.com
 Phone +64 9 414 6565
 info@glassvice.com

DFS35b



© 2018. The copyright of this document is the property of Glass Vice Limited and shall not be reproduced, copied, loaned or disposed of directly, or indirectly, nor used for any purpose other than that for which it is specifically furnished without prior consent. All dimensions to be checked on site. Details and construction to conform to the New Zealand Building Code.

All dimensions in millimetres



Glass Vice®
 Deck Overlay 100mm to 190mm Raked Joists
 With 250mm Maximum Overhang
 Side Edge Detail Southern Lites

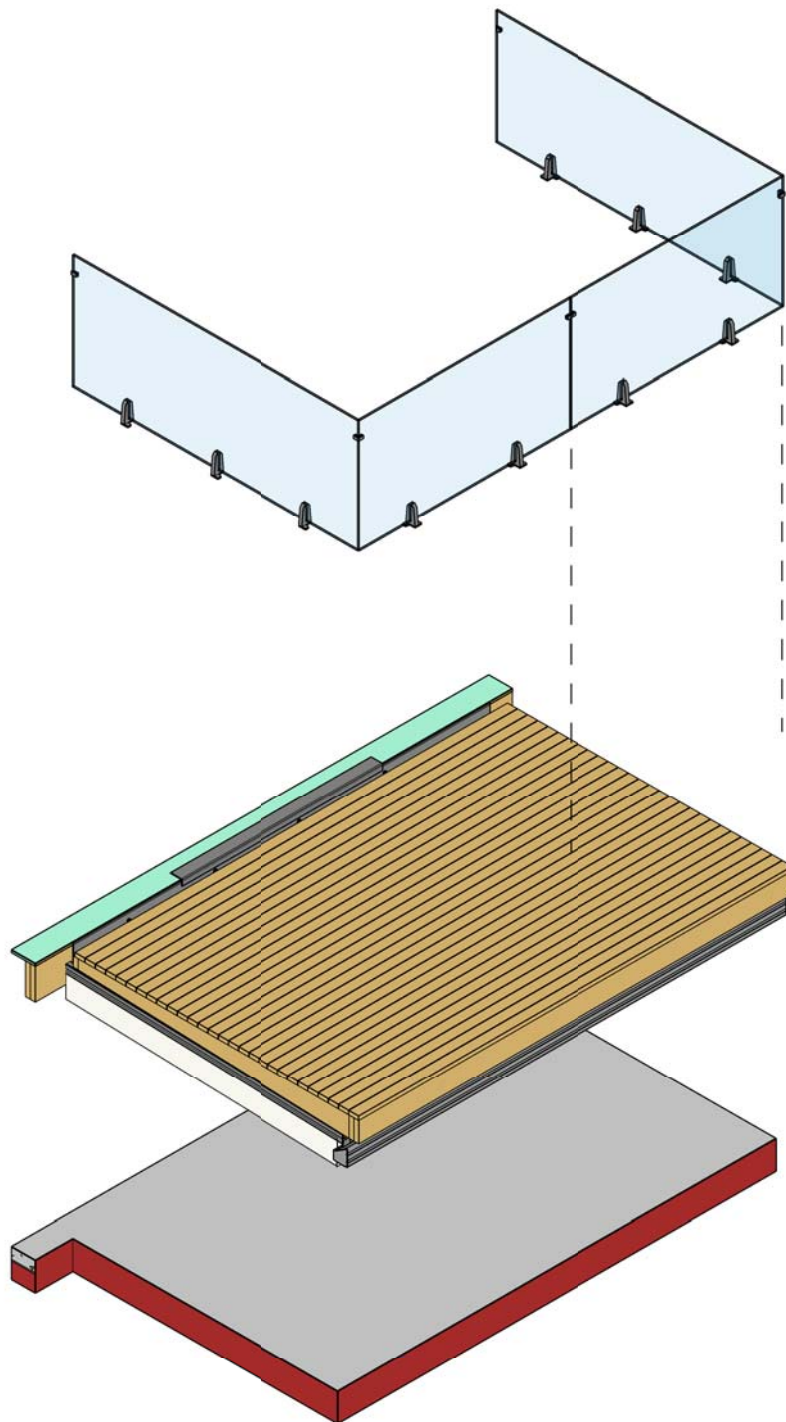
Date: 9/7/18
 Scale: 1 : 5

Version 4

Quick Code:

www.glassvice.com
 Phone +64 9 414 6565
 info@glassvice.com

DFS35c



© 2018. The copyright of this document is the property of Glass Vice Limited and shall not be reproduced, copied, loaned or disposed of directly, or indirectly, nor used for any purpose other than that for which it is specifically furnished without prior consent. All dimensions to be checked on site. Details and construction to conform to the New Zealand Building Code.

glass_vice_deck_float_nib.rvt
All dimensions in millimetres



Glass Vice®
Deck Overlay 100mm to 190mm Raked Joists
With 250mm Maximum Overhang
Deck Framing - Exploded View

Date: 9/7/18
Scale:

Version 4

Quick Code:

www.glassvice.com
Phone +64 9 414 6565
info@glassvice.com

DFS36