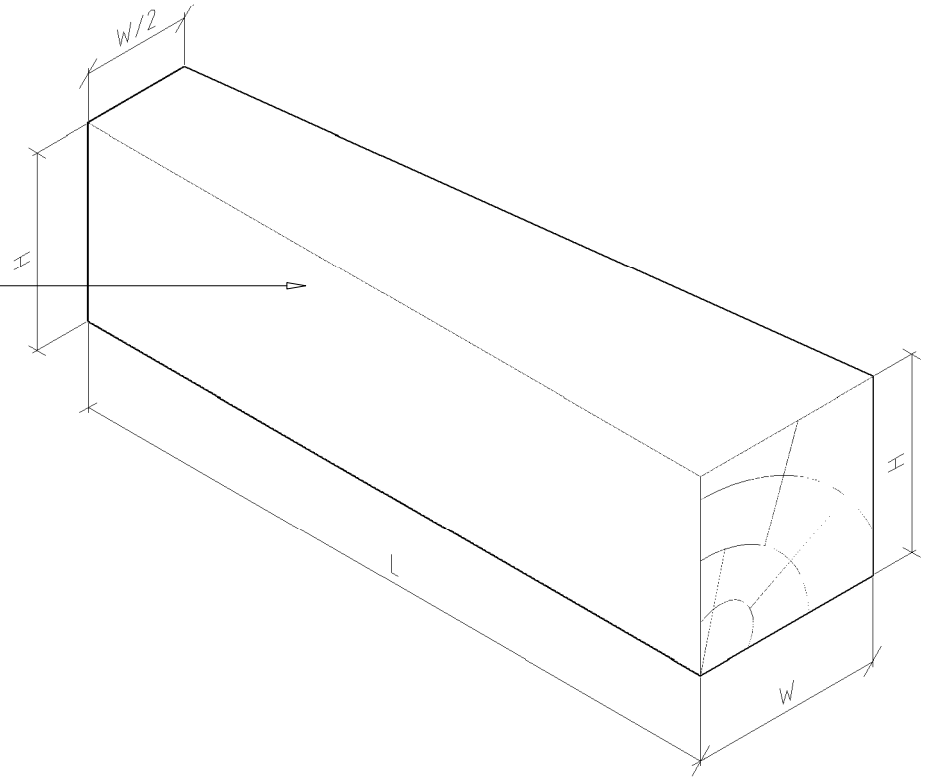


TAPERED TIMBER PACKER (NTS)



GENERIC INSTALLATION DETAIL ONLY. FABTECH RESERVES THE RIGHT TO UPDATE AND AMEND FINAL PRODUCT



- Notes:
- The Contractor must verify all dimensions on site before commencing any work.
 - This drawing shall be read in conjunction with architectural drawings, ASL specification and other relevant documents.
 - All window & door frames shall be installed to meet E2 requirements.
 - All openings to be prepared as per E2 requirements.
 - All glazing in details is indicative only.
 - All glazing shall comply with current glazing codes.
 - A continuous bead of water resistant "air seal" shall be applied around the perimeter of the window or door opening between the window frame/reveal and the wrapped building frame on the inside of the building.

- what is shown on specific details. Refer to window schedule for sash, slider locations.
- All frames, shall be fixed to structure with S/S screws where required, at max. 450mm c/c within 150mm of corners & at mullion/transom centres u.u.o.
 - All window/door assembly fixings, seals, packers, drainage & setting blocks to be as per the written instruction and details provided in the ASL manufacturing packs.
 - all sill trays to be end stopped & sealed as per the written instructions and details provided in the ASL manufacturing packs.
 - Timber reveals must be suitably treated to comply with NZS 3602:2003 and NZBC B2 durability.
 - An approved weatherproof must be applied to all concrete openings (by others) before window installation.

TYPICAL ROOFLIGHT DETAIL

Head, Cill and Jamb Installation Detail

REV.	AMENDMENTS	DATE

DRAWN BY JAG	SCALE 1: (A3)
CHECKED BY RJS	DATE 03-11-09

Fax :
Office :
Factory :



DRAWING No. REVISION

7. Sash and sliding window/door combinations may vary from