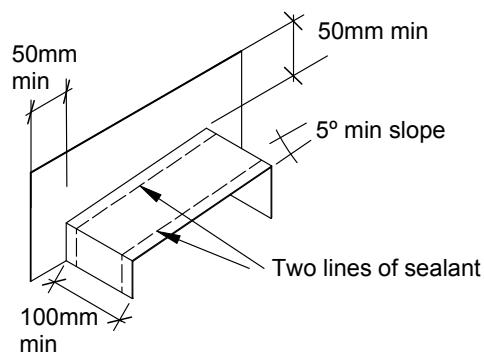
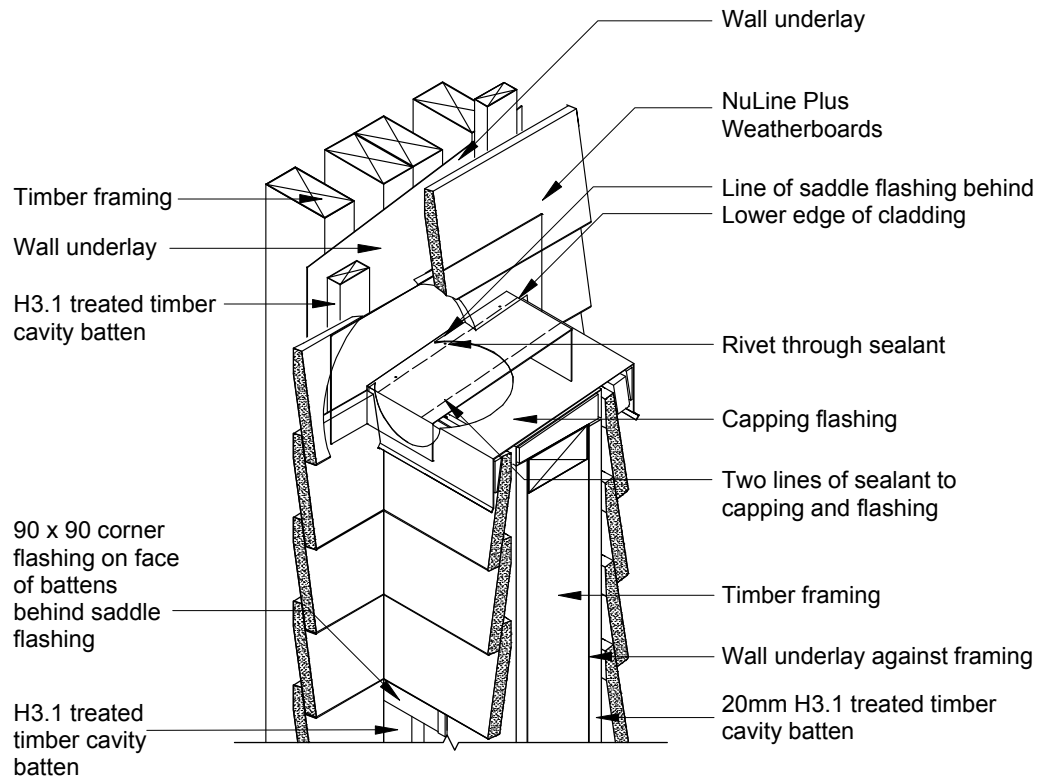


BGC**Fibre Cement**PROFILE **NuLine™ Plus Weatherboards**DATE **Sep 2012**DETAIL **Balustrade To Wall Junction
Detail Cavity Construction**SCALE **1:10 @ A4**DETAIL NO. **NU-20**